



US00D752015S

(12) **United States Design Patent**
Spillmann

(10) **Patent No.:** **US D752,015 S**
(45) **Date of Patent:** **** Mar. 22, 2016**

(54) **LOUDSPEAKER HOUSING**

(71) Applicant: **Harman International Industries, Incorporated**, Northridge, CA (US)
(72) Inventor: **Jacques Spillmann**, Los Angeles, CA (US)
(73) Assignee: **Harman International Industries, Incorporated**, Northridge, CA (US)

(**) Term: **14 Years**

(21) Appl. No.: **29/477,858**

(22) Filed: **Dec. 27, 2013**

(51) **LOC (10) Cl.** **14-01**

(52) **U.S. Cl.**
USPC **D14/204**

(58) **Field of Classification Search**
USPC D14/133, 168, 171, 172, 204, 210, 214, D14/221, 265, 358, 500-504; 181/144, 145, 181/198, 199; 369/75.11, 76; 381/300, 381/332-336, 345; 455/344, 350
CPC H04B 1/08; H04B 1/086; H04B 1/3883; H04B 1/3888; H04R 7/00; H01Q 1/243

See application file for complete search history.

(56) **References Cited**

U.S. PATENT DOCUMENTS

D266,243	S	*	9/1982	Gollehon	D14/215
D328,746	S	*	8/1992	Ishibashi et al.	D14/168
D500,025	S	*	12/2004	Vincenot et al.	D14/215
7,324,654	B2	*	1/2008	Opie et al.	381/345
2002/0114482	A1	*	8/2002	Adamson	381/340
2003/0127280	A1	*	7/2003	Engebretson	181/199
2004/0251078	A1	*	12/2004	Kung	181/199
2009/0214067	A1	*	8/2009	Bothe	381/339

* cited by examiner

Primary Examiner — Derrick Holland

Assistant Examiner — Janice Lim

(74) *Attorney, Agent, or Firm* — Plumsea Law Group, LLC

(57) **CLAIM**

The ornamental design for a loudspeaker housing, as shown and described.

DESCRIPTION

FIG. 1 is a perspective view of a loudspeaker housing showing my new design;

FIG. 2 is a front elevational view thereof;

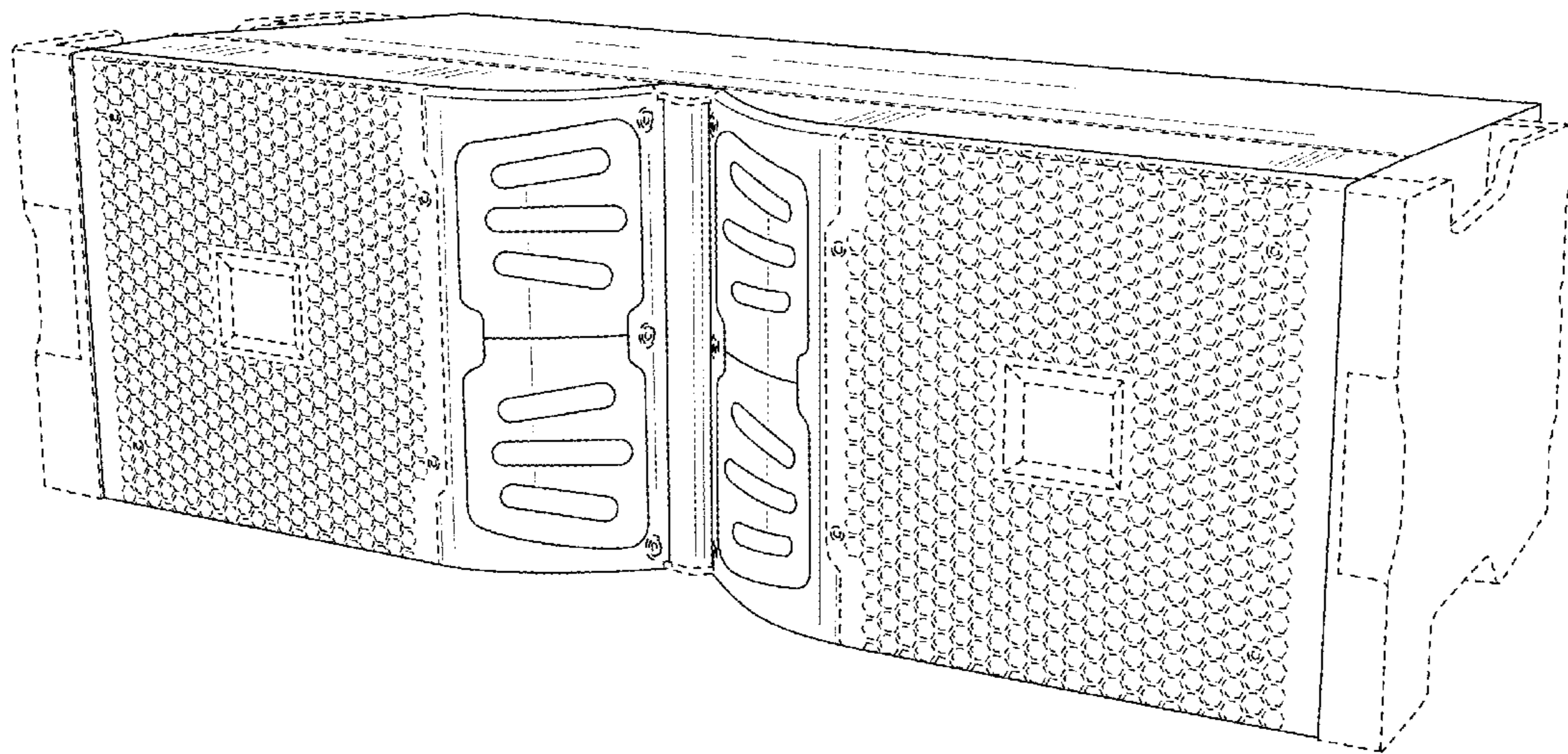
FIG. 3 is a rear elevational view thereof;

FIG. 4 is a side elevational view thereof, the opposite side elevational view being a mirror image thereof; and,

FIG. 5 is a top plan thereof.

The broken line portions of FIGS. 1-5 are included to show unclaimed subject matter only and form no part of the claimed design.

1 Claim, 5 Drawing Sheets



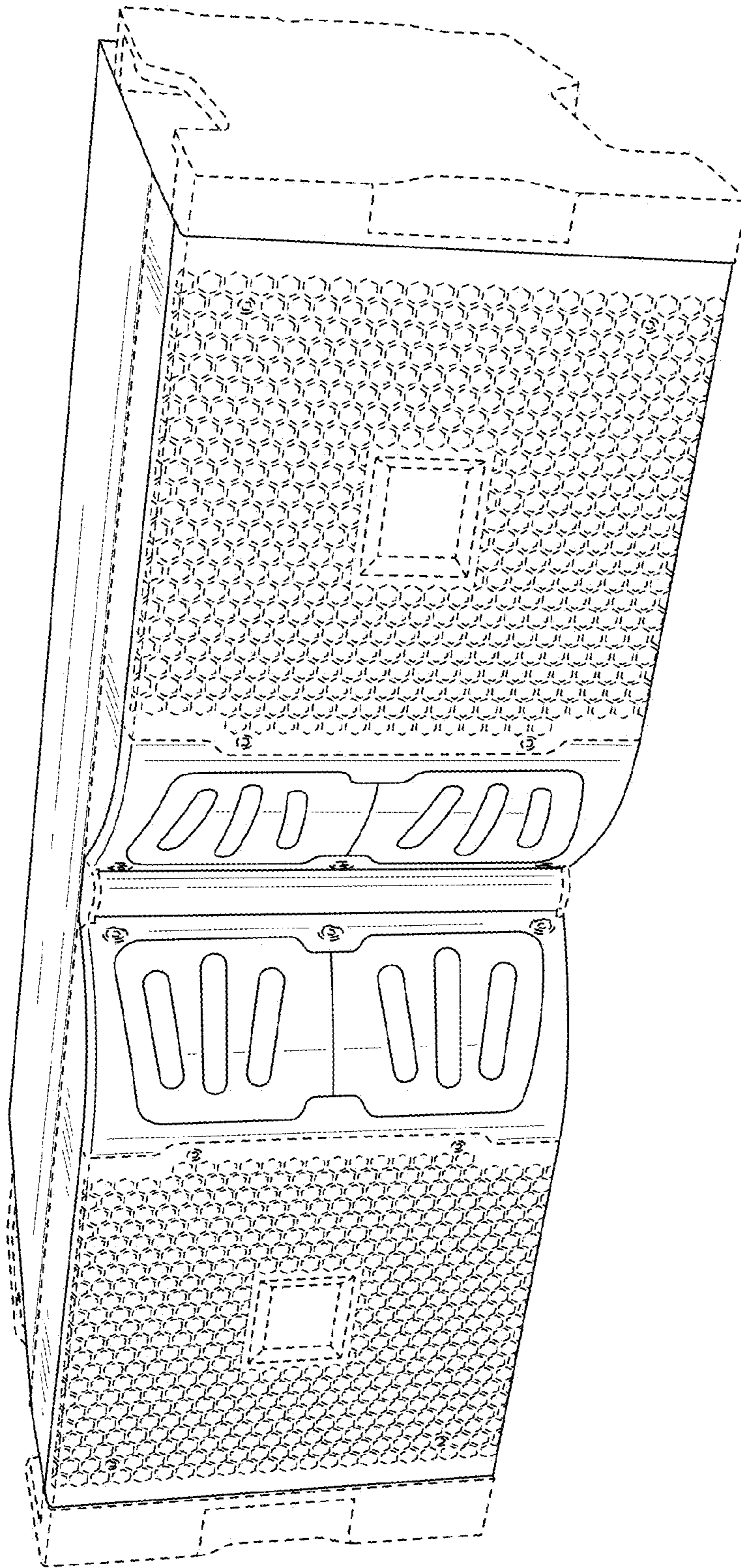


FIG. 1

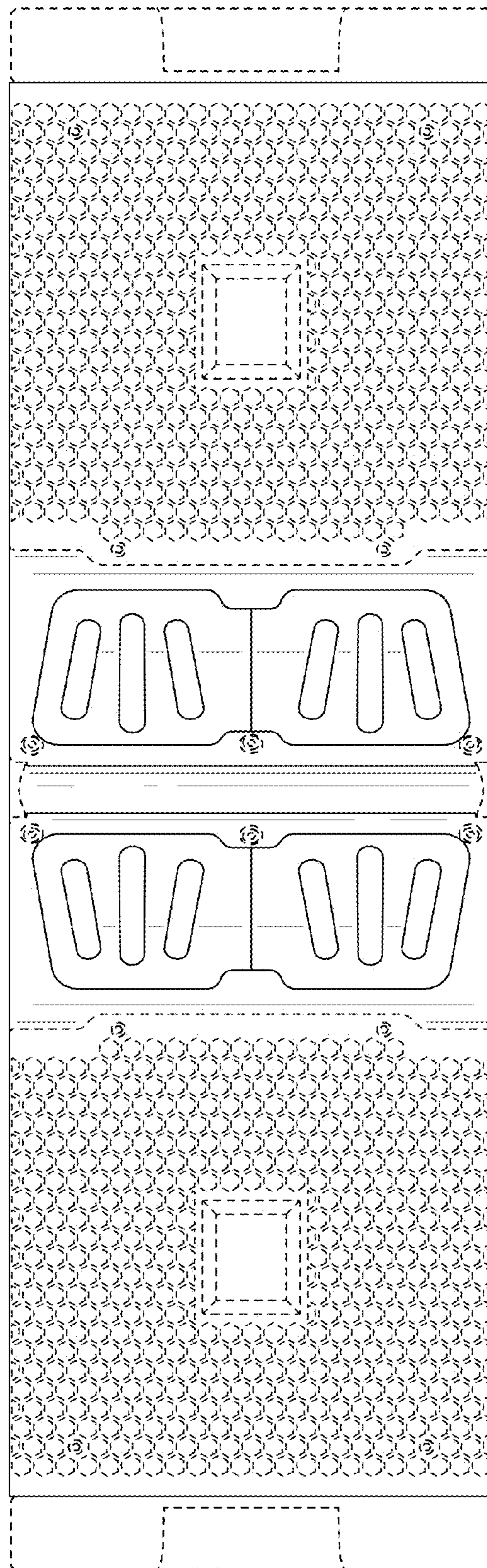


FIG. 2

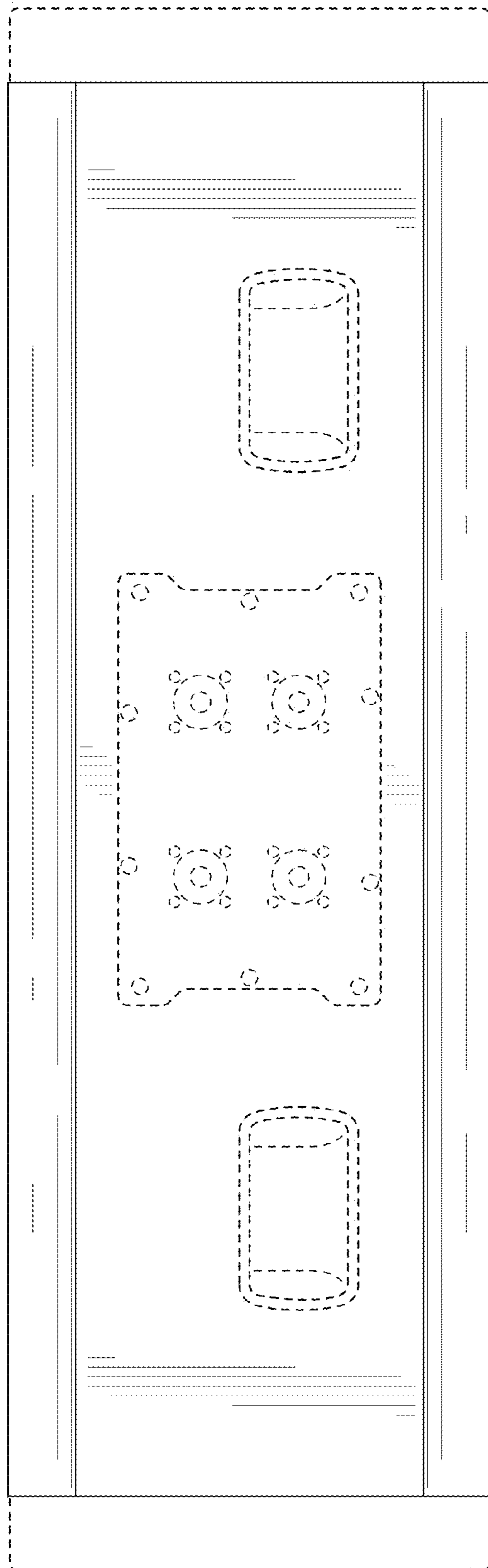


FIG. 3

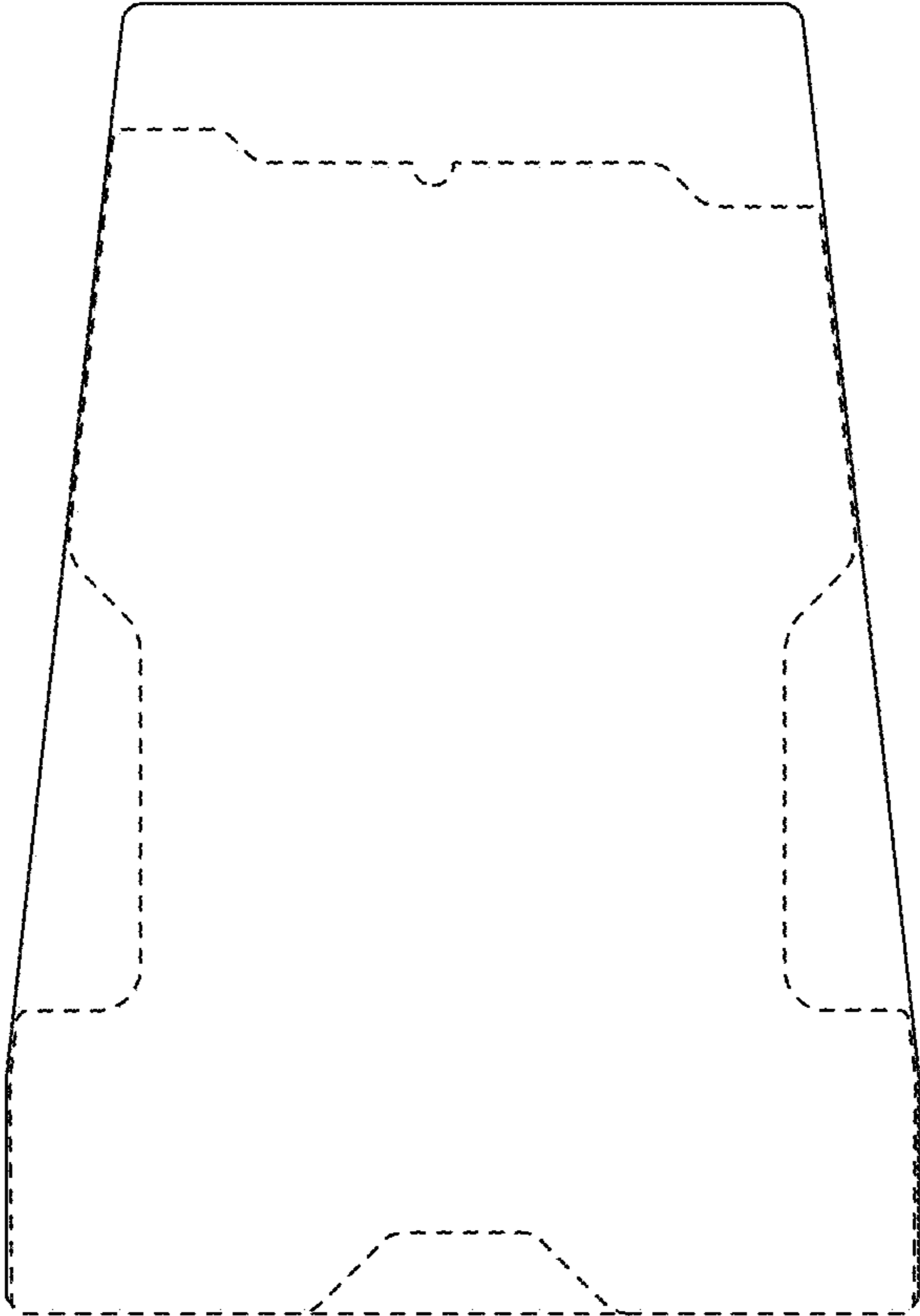


FIG. 4

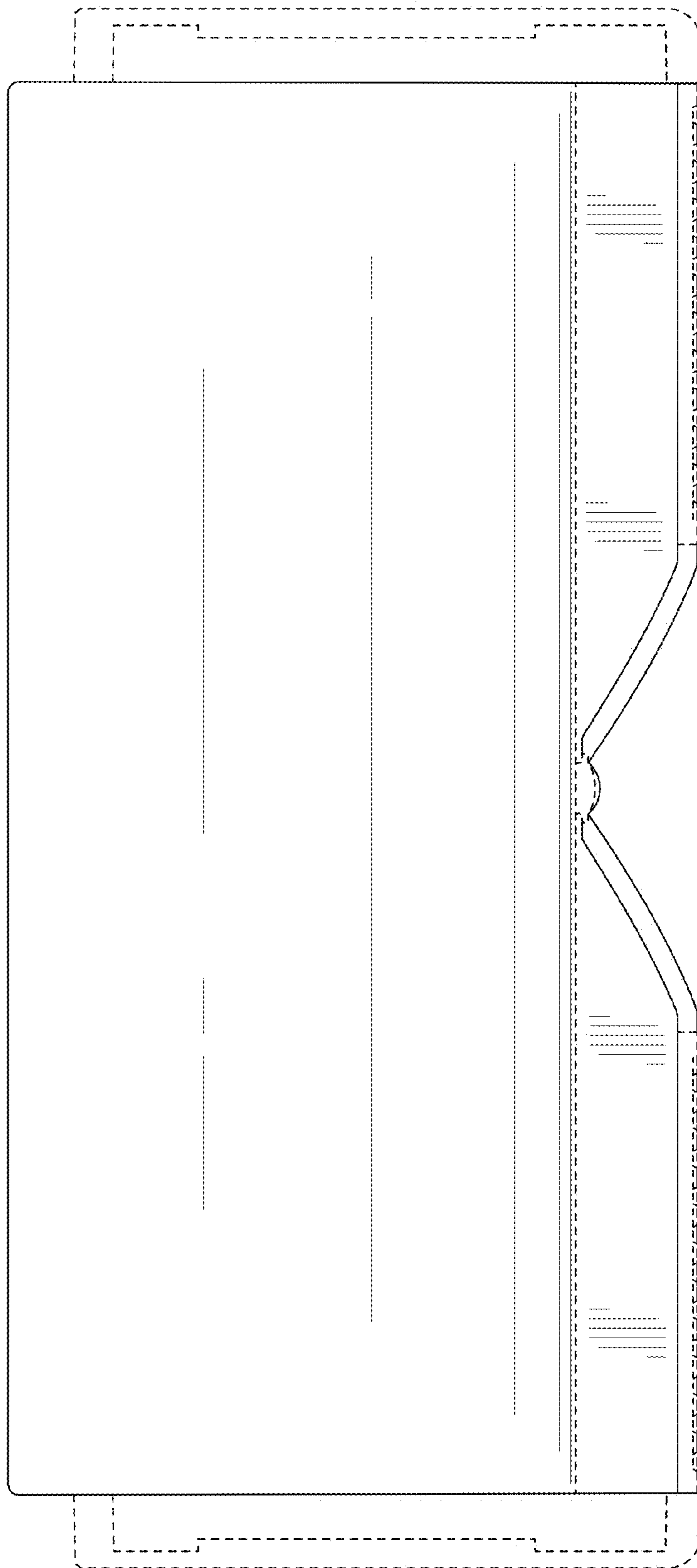


FIG. 5