

US00D752014S

(12) **United States Design Patent**
Bolmstrand et al.

(10) **Patent No.:** **US D752,014 S**
(45) **Date of Patent:** **** Mar. 22, 2016**

(54) **SPEAKERPHONE**

(71) Applicant: **Evoko Unlimited AB**, Nacka (SE)

(72) Inventors: **Per Bolmstrand**, Stockholm (SE);
Andreas Lundquist, Enskede (SE)

(73) Assignee: **Evoko Unlimited AB**, Nacka (SE)

(**) Term: **14 Years**

(21) Appl. No.: **29/473,386**

(22) Filed: **Nov. 21, 2013**

(30) **Foreign Application Priority Data**

Jun. 7, 2013 (EM) 002251504-0001

(51) **LOC (10) Cl.** **14-01**

(52) **U.S. Cl.**

USPC **D14/204**

(58) **Field of Classification Search**

USPC D14/167-168, 170-172, 188, 194-196,
D14/203.1, 204, 207, 209.1, 210-216, 221,
D14/222, 224; 381/300, 332, 334, 336, 345,
381/361-363, 386, 387

CPC H04B 1/08; H04R 1/02; H04R 5/02;
H04R 25/60; H04R 25/65; H04R 25/608

See application file for complete search history.

(56) **References Cited**

U.S. PATENT DOCUMENTS

D349,499 S *	8/1994	Collins	D14/216
D438,195 S *	2/2001	Chao et al.	D14/222
D504,882 S *	5/2005	Bhavnani	D14/188
D537,072 S *	2/2007	Kim et al.	D14/215
D542,273 S *	5/2007	Park et al.	D14/215
D591,269 S *	4/2009	Kim et al.	D14/216
D645,843 S *	9/2011	Bolton	D14/209.1
D663,880 S *	7/2012	Janssen	D26/74

* cited by examiner

Primary Examiner — Derrick Holland

Assistant Examiner — Janice Lim

(74) *Attorney, Agent, or Firm* — Studebaker & Brackett PC

(57) **CLAIM**

The ornamental design for a speakerphone, as shown and described.

DESCRIPTION

FIG. 1 is a top perspective view of a speakerphone, showing our new design;

FIG. 2 is a top plan view thereof;

FIG. 3 is a bottom plan view thereof;

FIG. 4 is a right side view thereof;

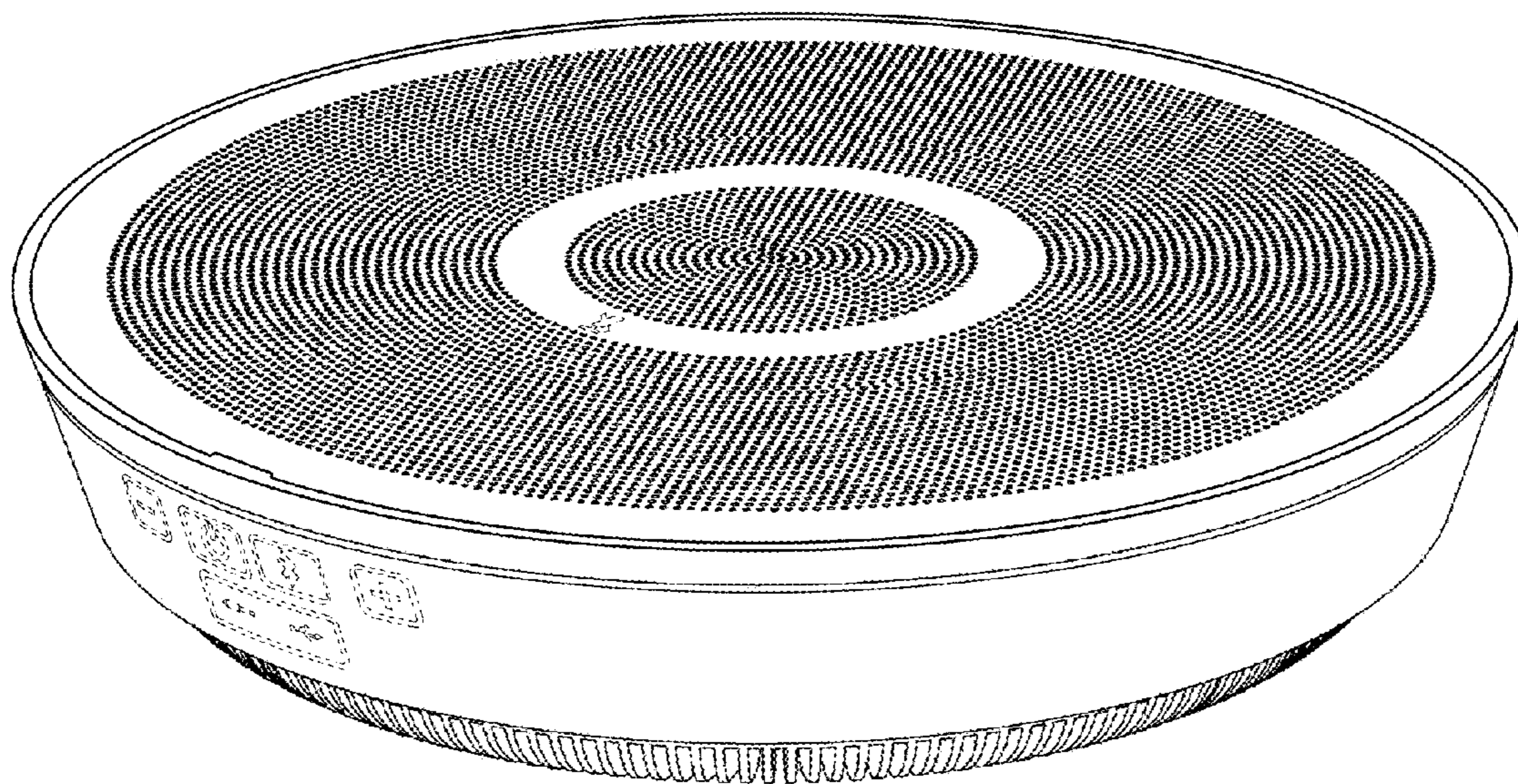
FIG. 5 is a left side view thereof;

FIG. 6 is a front view thereof; and,

FIG. 7 is a rear view thereof.

The broken line portions of FIGS. 1-6 are included to show unclaimed subject matter only and form no part of the claimed design.

1 Claim, 7 Drawing Sheets



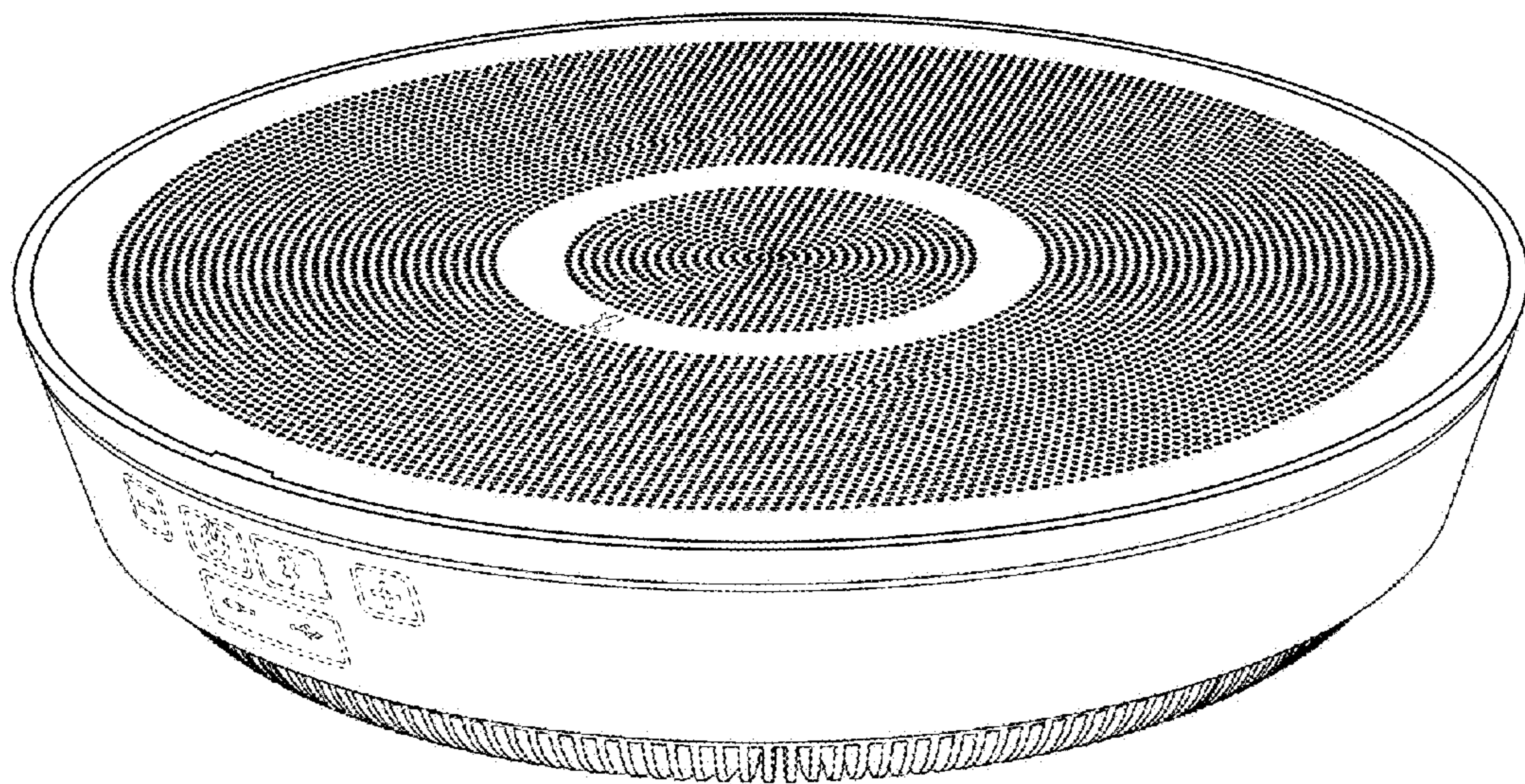


FIG. 1

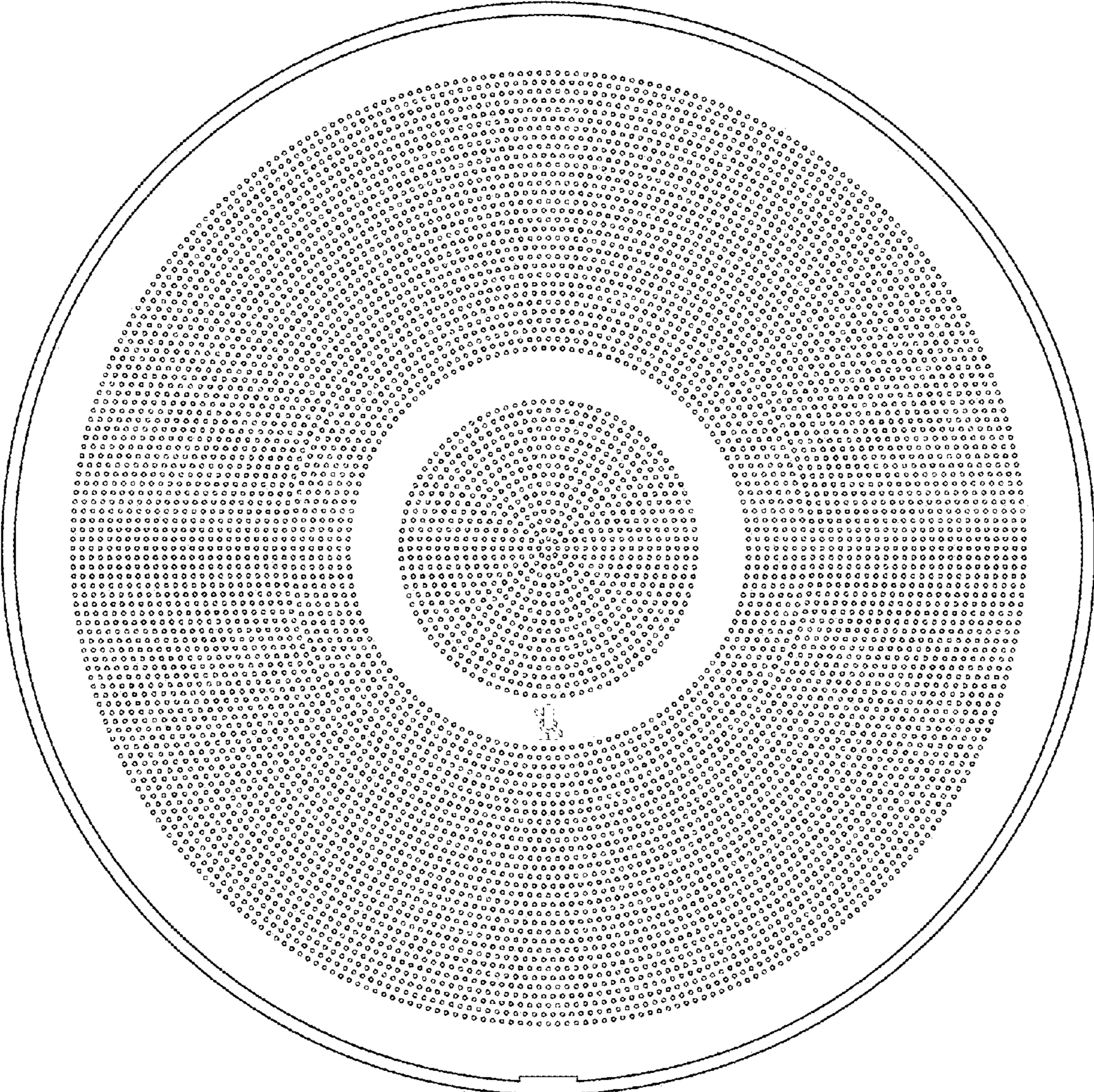


FIG. 2

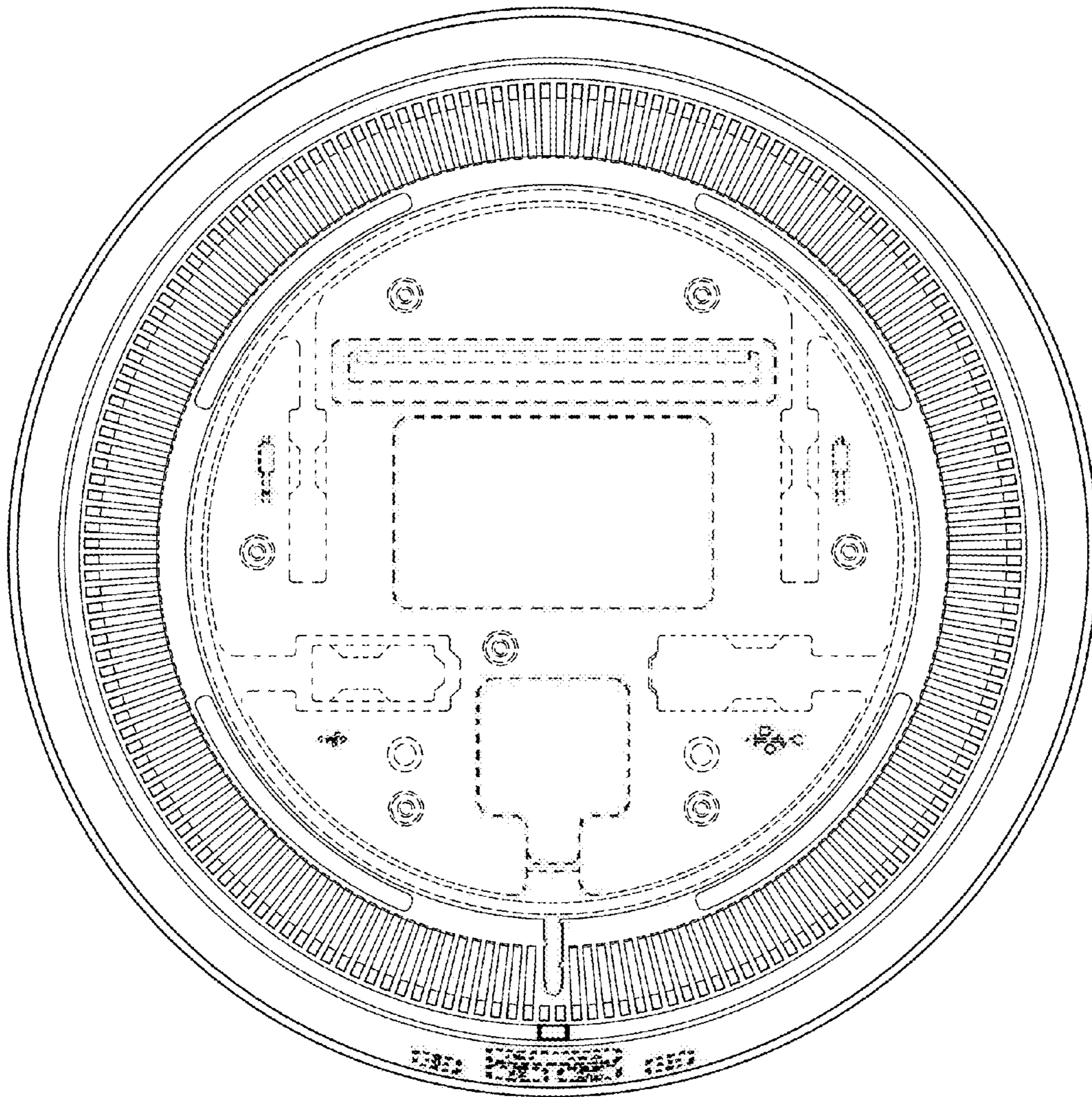


FIG. 3

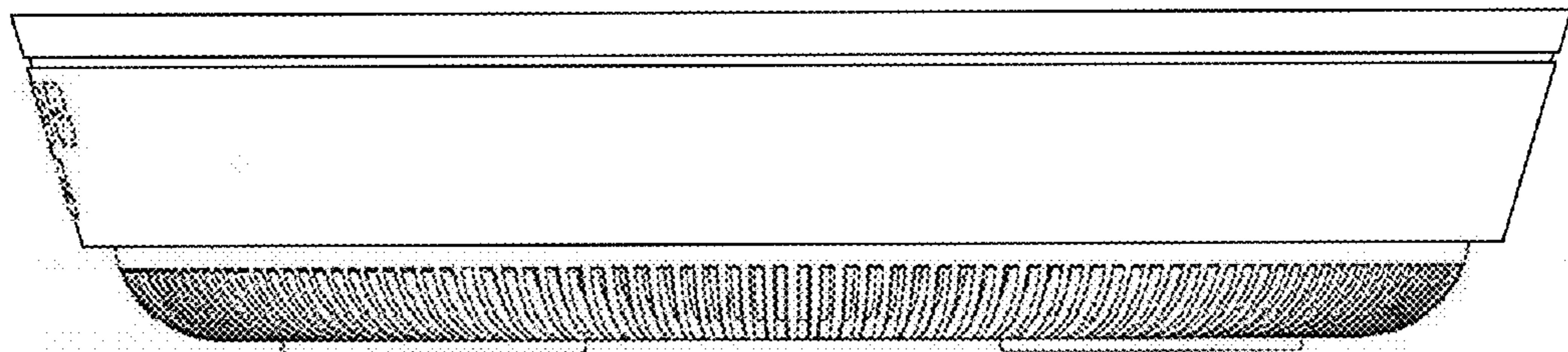


FIG. 4

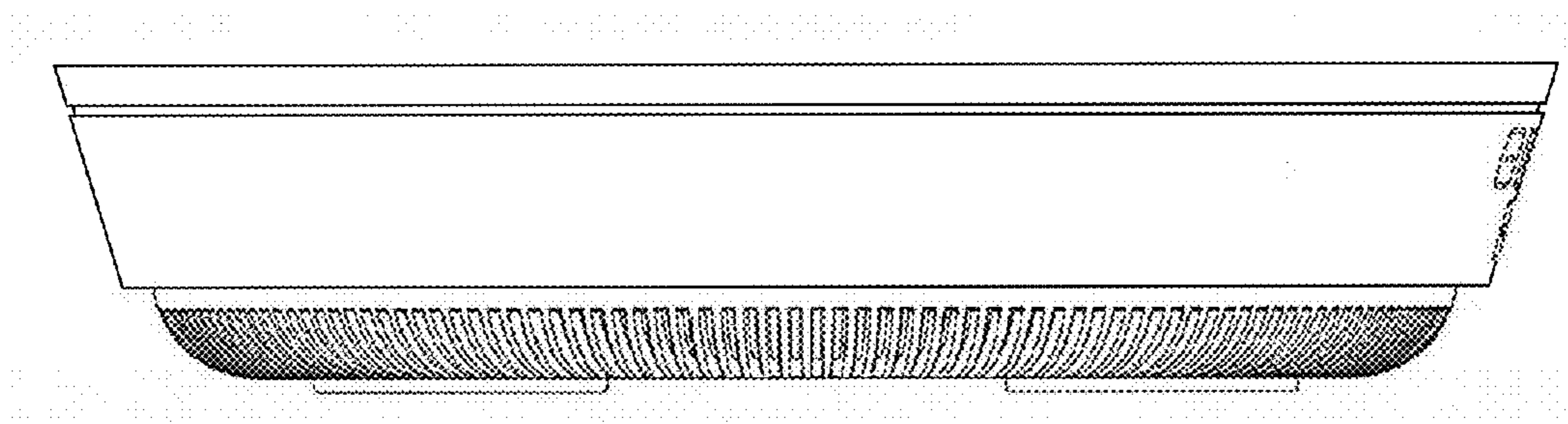


FIG. 5

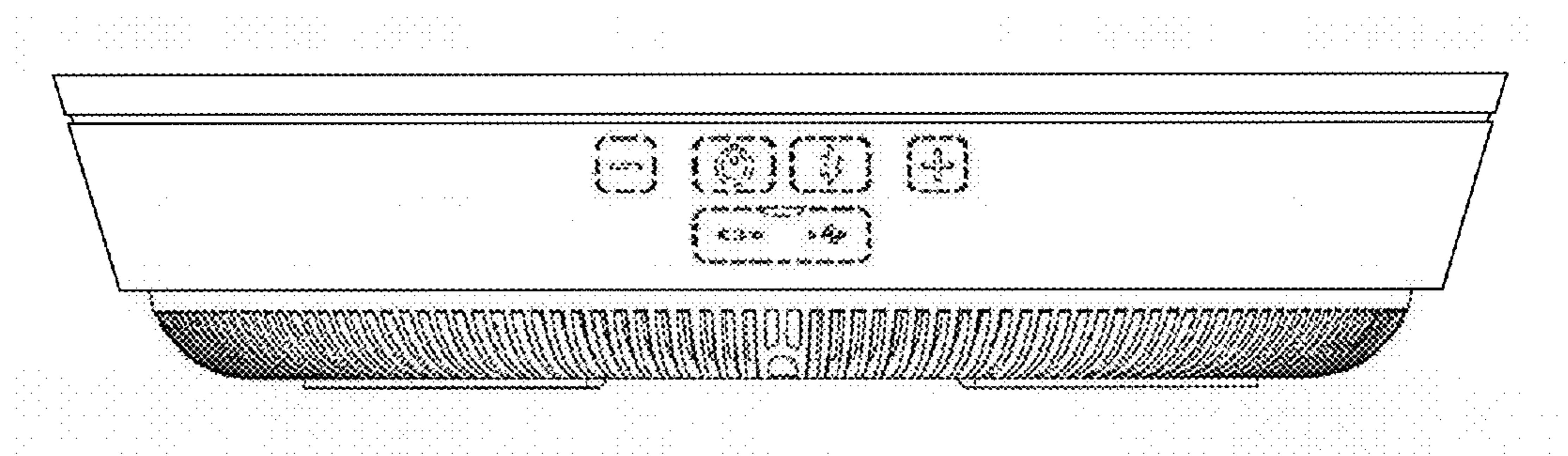


FIG. 6

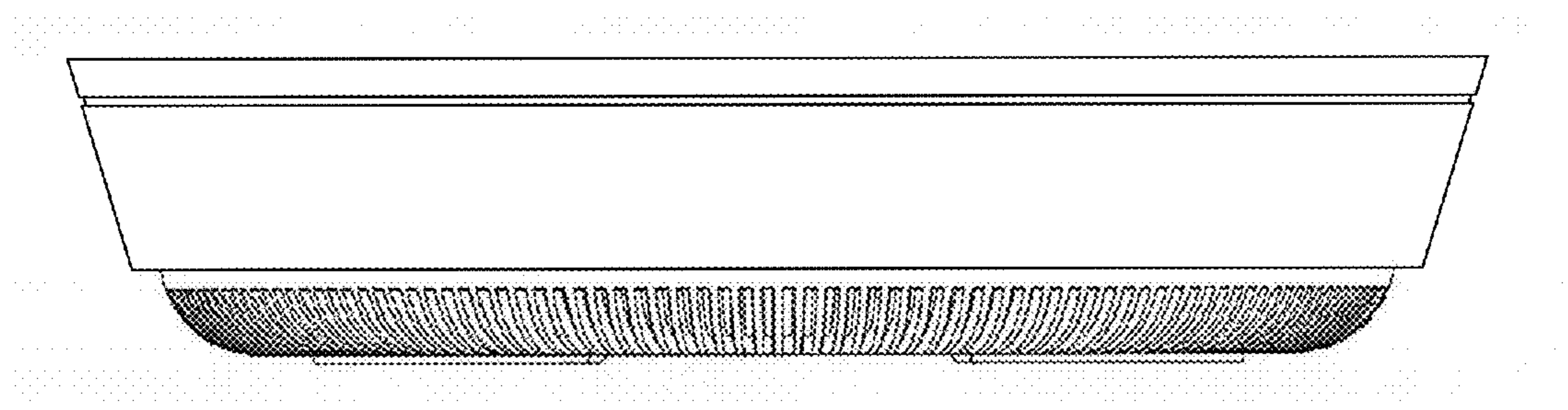


FIG. 7