



US00D751997S

(12) **United States Design Patent**  
**Takahashi et al.**

(10) **Patent No.:** **US D751,997 S**  
(45) **Date of Patent:** **\*\* Mar. 22, 2016**

(54) **BOX COVER FOR LIMIT SWITCH**

(71) Applicant: **OMRON Corporation**, Kyoto-shi,  
Kyoto (JP)

(72) Inventors: **Manabu Takahashi**, Okayama (JP);  
**Shinya Katsube**, Okayama (JP); **Yuki Yamamoto**, Okayama (JP); **Yasuhiro Tanoue**, Otsu (JP); **Kokichi Tobita**, Unnan (JP); **Kazuyuki Tsukimori**, Okayama (JP)

(73) Assignee: **OMRON CORPORATION**, Kyoto (JP)

(\*\*) Term: **14 Years**

(21) Appl. No.: **29/481,185**

(22) Filed: **Feb. 3, 2014**

(30) **Foreign Application Priority Data**

Aug. 8, 2013 (JP) ..... 2013-018215  
Aug. 8, 2013 (JP) ..... 2013-018216

(51) **LOC (10) Cl.** ..... **13-03**

(52) **U.S. Cl.**  
USPC ..... **D13/174**

(58) **Field of Classification Search**  
USPC ..... D13/158, 171, 173, 174; D11/40, 89,  
D11/90, 200, 222  
CPC ..... H01H 3/022; H01H 3/0226; H01H 3/12;  
H01H 3/16; H01H 3/42; H01H 3/122; H01H  
9/0235; H01H 13/023; H01H 13/04; H01H  
13/14; H01H 13/86; H01H 21/28  
See application file for complete search history.

(56) **References Cited**

**U.S. PATENT DOCUMENTS**

D202,348 S \* 9/1965 Cochrane ..... D13/174  
D272,848 S \* 2/1984 Koziol ..... D13/100

D390,197 S \* 2/1998 Thomas ..... D13/174  
6,365,850 B1 \* 4/2002 Arnold et al. .... 200/17 R  
D456,783 S \* 5/2002 Mayo et al. .... D13/164  
6,501,040 B2 \* 12/2002 Hall et al. .... 200/543  
D475,623 S \* 6/2003 Cooper ..... D9/434  
6,635,833 B2 \* 10/2003 Vignaud ..... 200/47  
D502,123 S \* 2/2005 Wilson ..... D11/90  
D514,072 S \* 1/2006 Martinez ..... D13/174  
D518,001 S \* 3/2006 Chen ..... D13/174  
D526,282 S \* 8/2006 Chen ..... D13/174  
D550,632 S \* 9/2007 Samuels et al. .... D13/162  
D692,395 S \* 10/2013 Takahashi et al. .... D13/158  
2002/0175058 A1 \* 11/2002 Mohtasham ..... 200/17 R  
2010/0044204 A1 \* 2/2010 Mohtasham et al. .... 200/6 B  
2010/0307897 A1 \* 12/2010 Marsh ..... 200/302.1  
2013/0134019 A1 \* 5/2013 Aletti ..... 200/302.1  
2014/0326586 A1 \* 11/2014 Tsukimori et al. .... 200/47

\* cited by examiner

*Primary Examiner* — Selina Sikder

(74) *Attorney, Agent, or Firm* — Harness, Dickey & Pierce,  
P.L.C.

(57) **CLAIM**

The ornamental design for a box cover for limit switch, as shown and described.

**DESCRIPTION**

FIG. 1 is a perspective view of a box cover for limit switch showing our new design;  
FIG. 2 is a front elevational view thereof;  
FIG. 3 is a rear elevational view thereof;  
FIG. 4 is a left side view thereof;  
FIG. 5 is a right side view thereof;  
FIG. 6 is a top plan view thereof; and,  
FIG. 7 is a bottom plan view thereof.  
The oblique short lines in FIG. 1 and FIG. 2, are intended to illustrate that the surface is translucent.  
The broken lines depict environmental subject matter only and form no part of the claimed design.

**1 Claim, 3 Drawing Sheets**

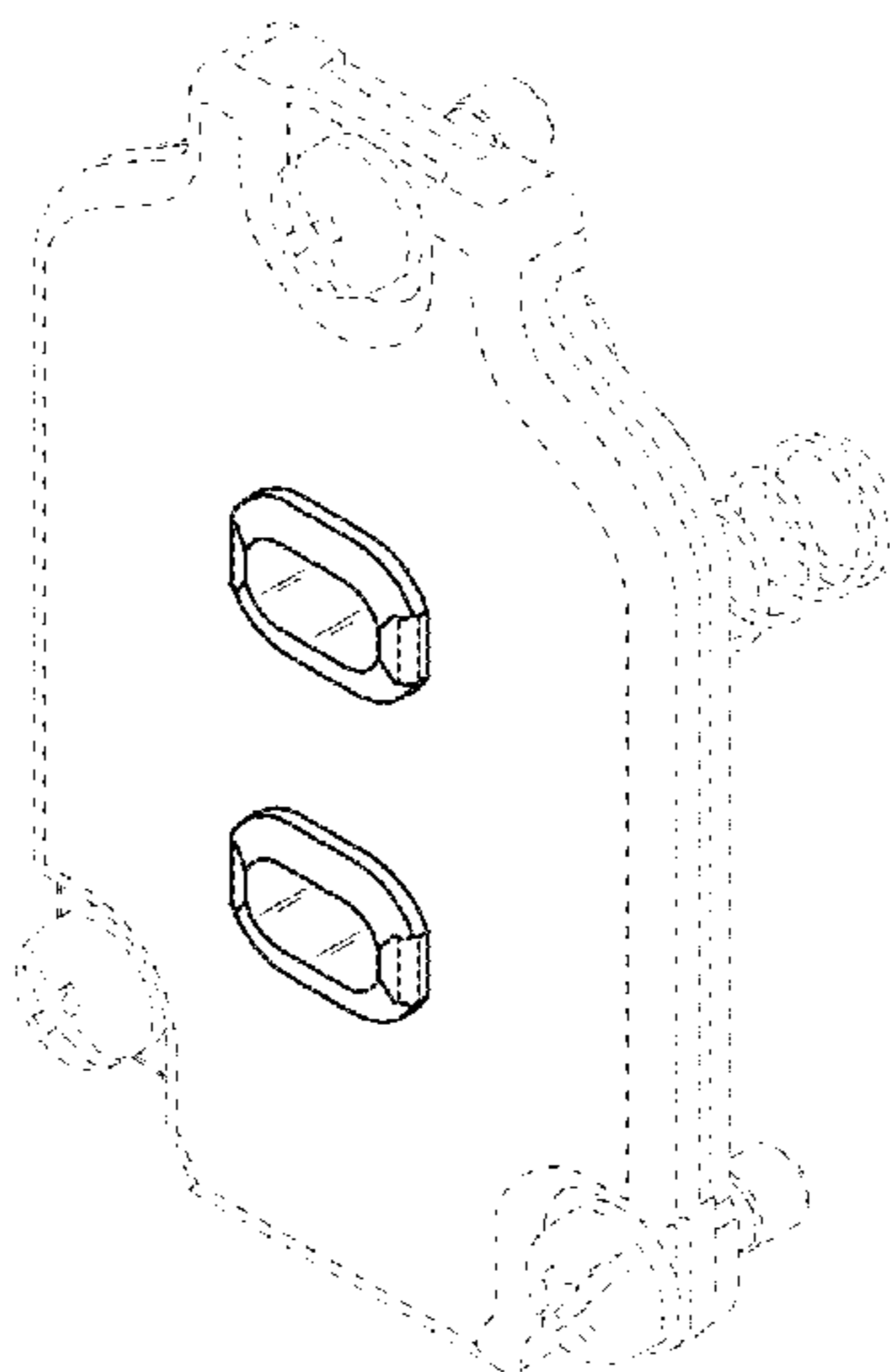


Fig. 1

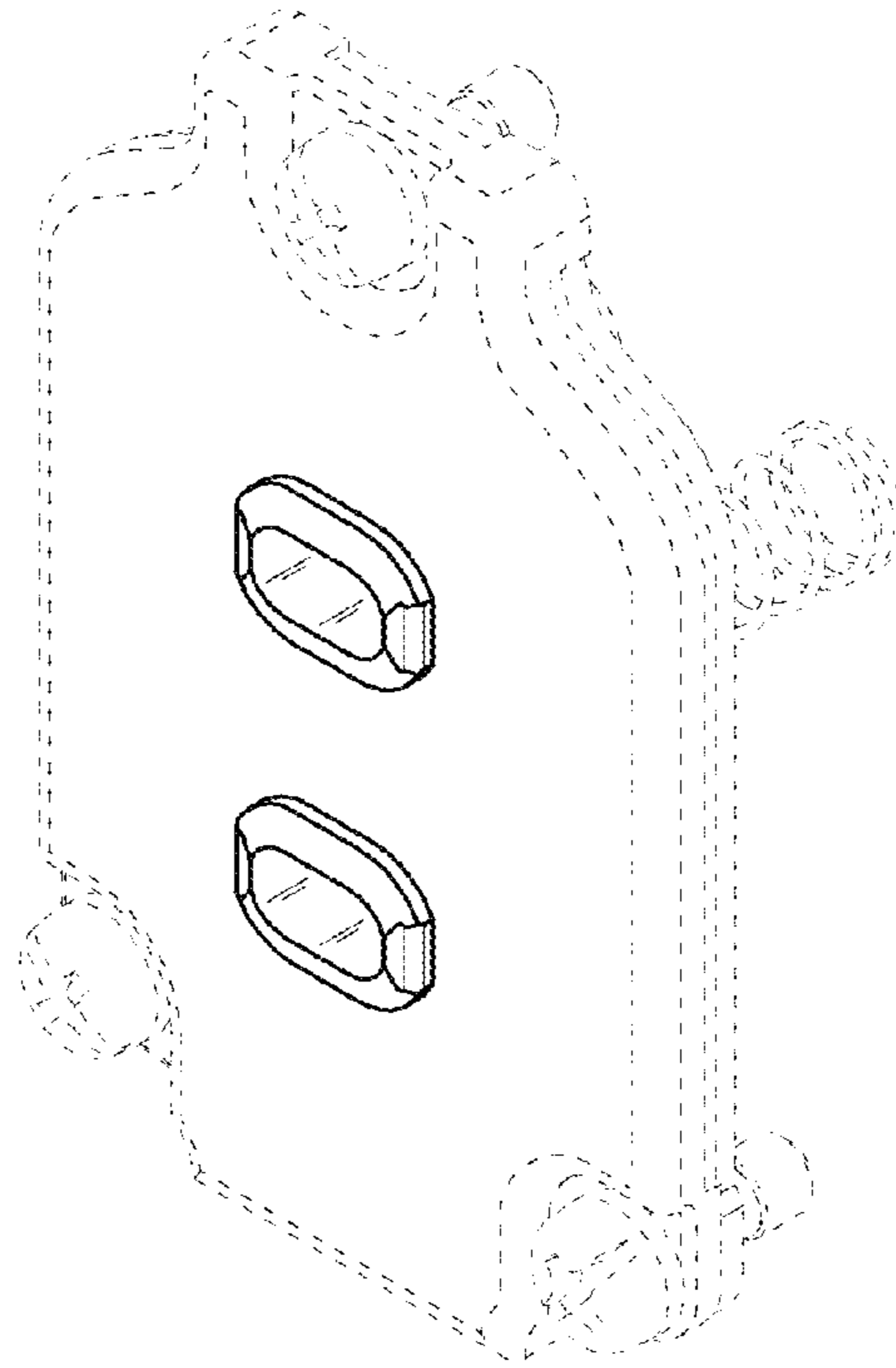


Fig. 2

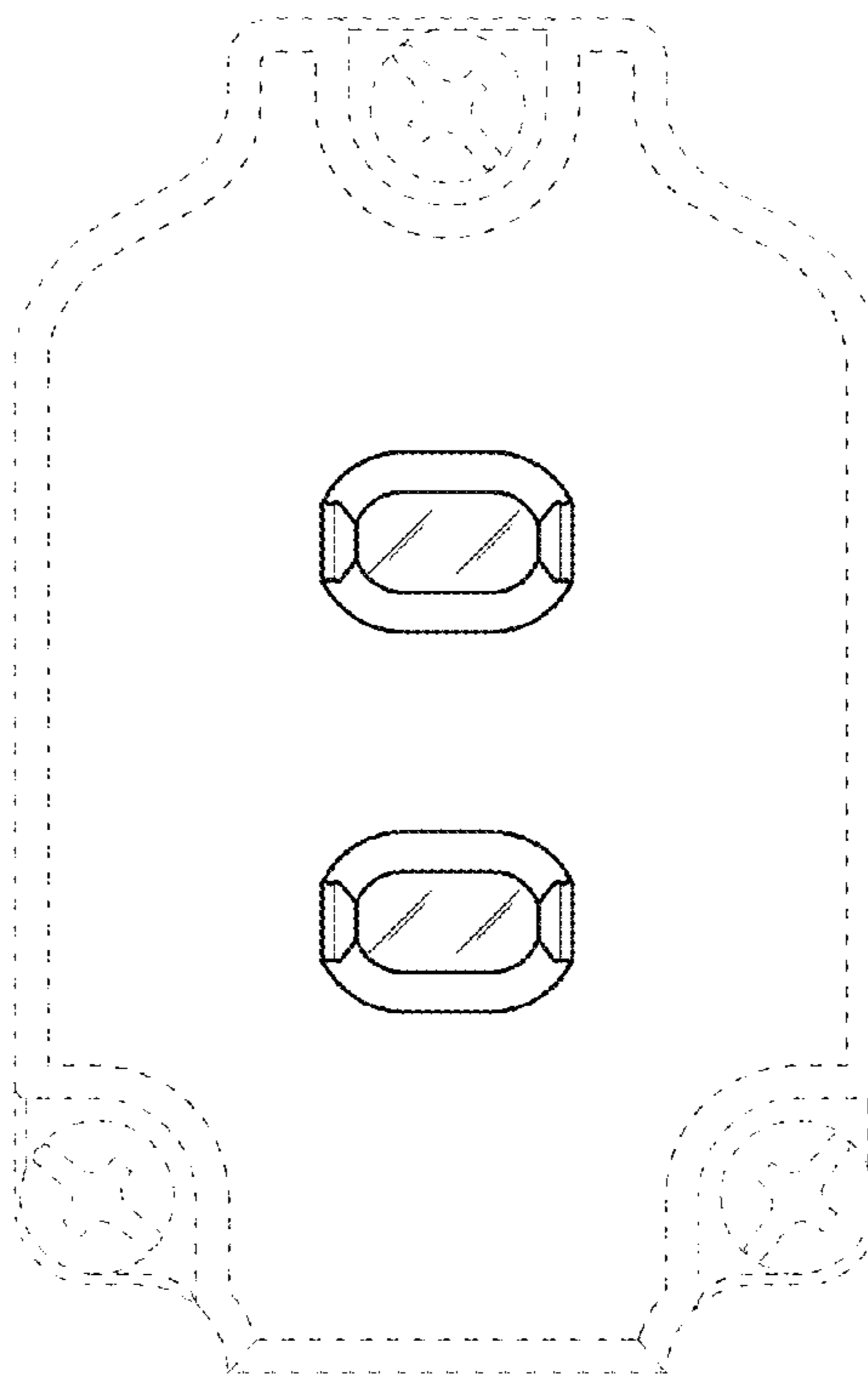


Fig. 3

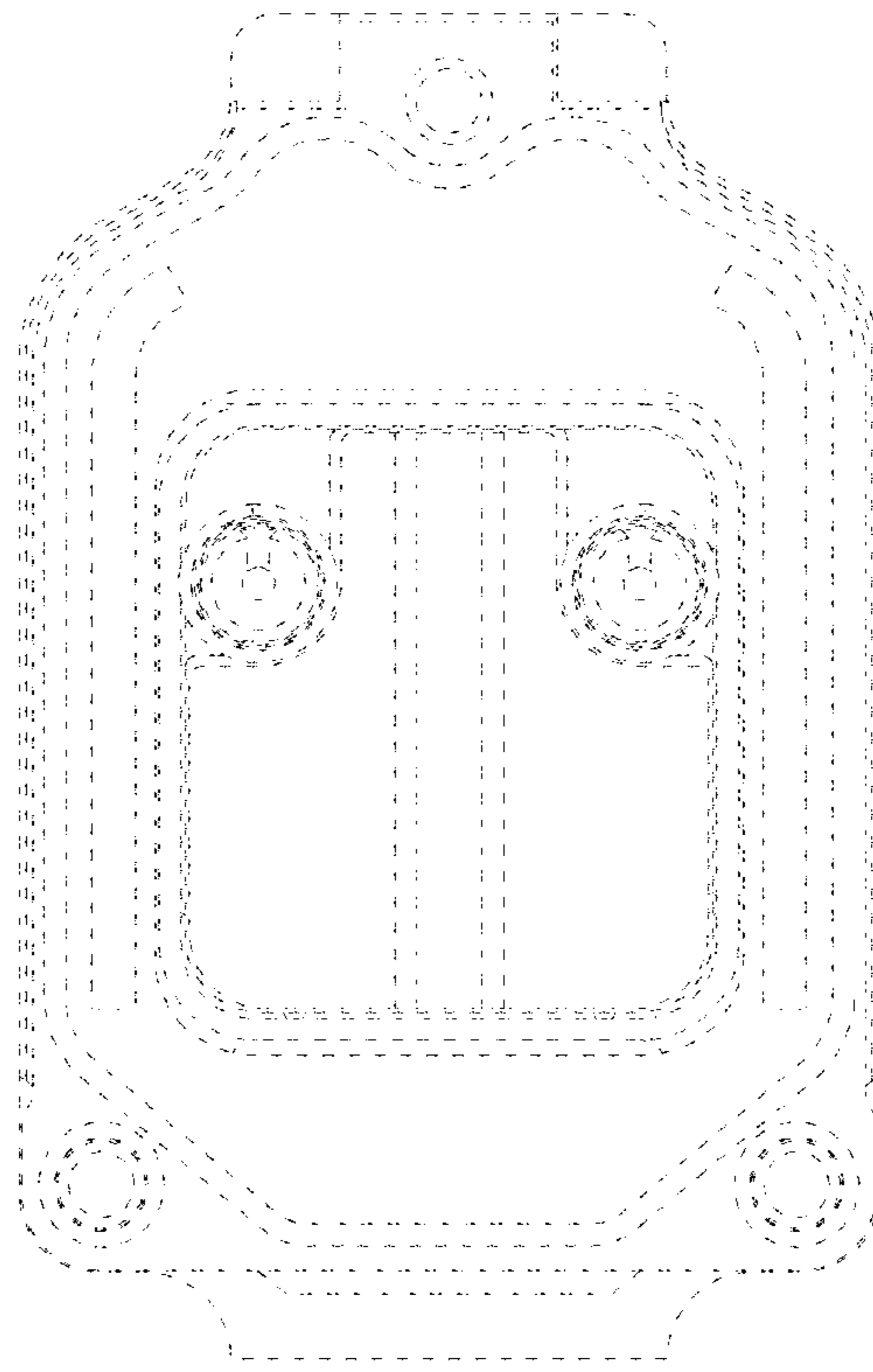


Fig. 4

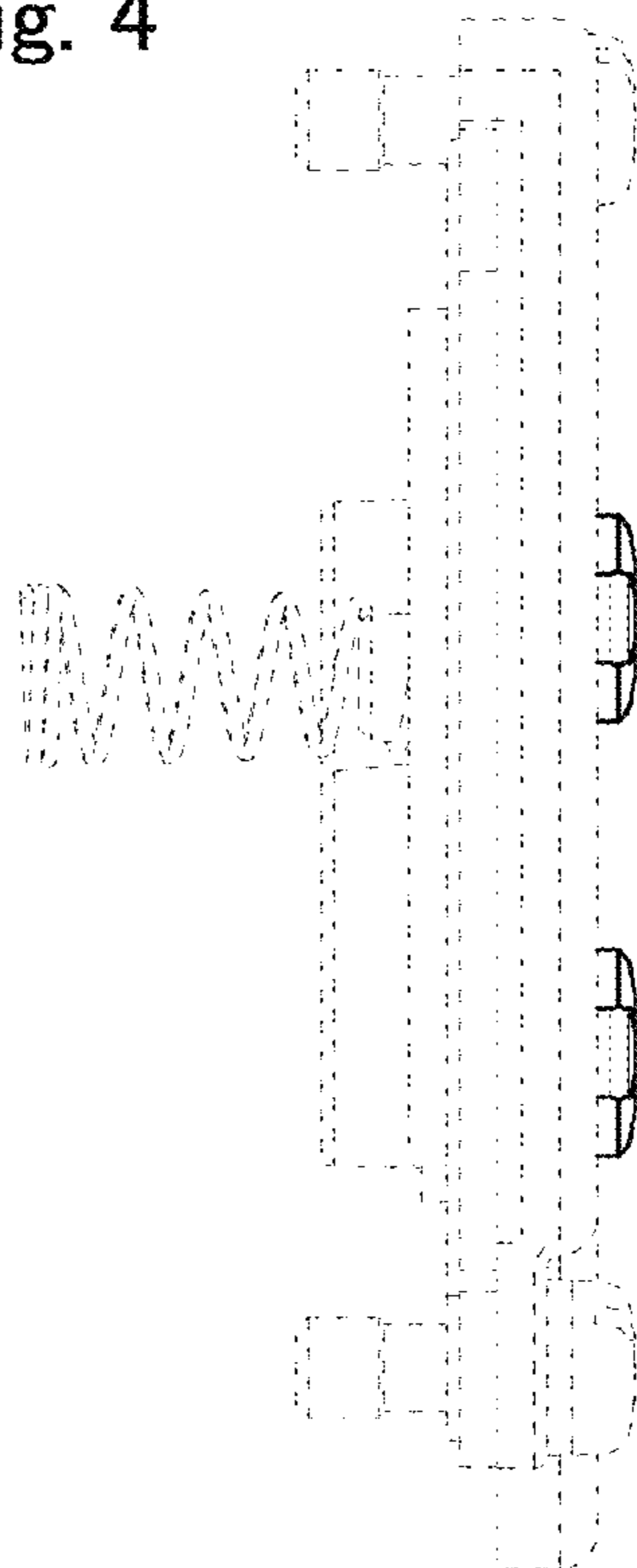


Fig. 5

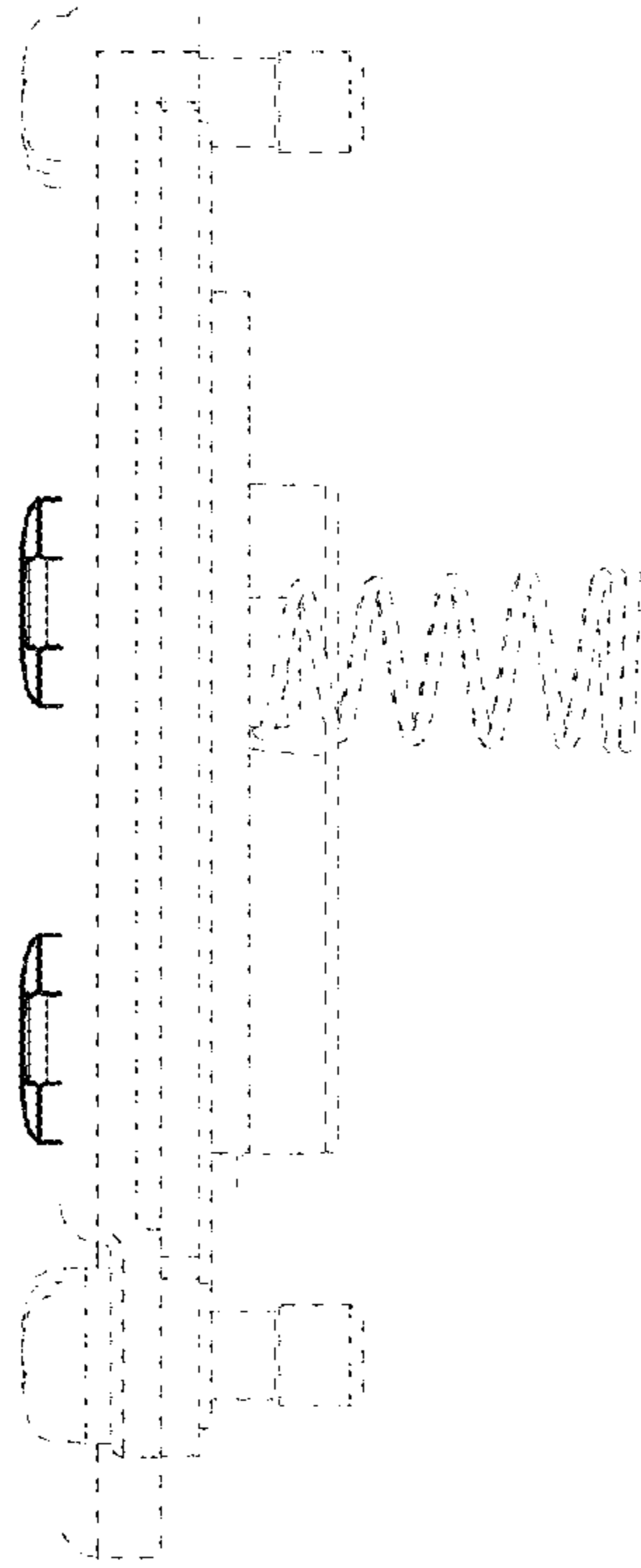


Fig. 6

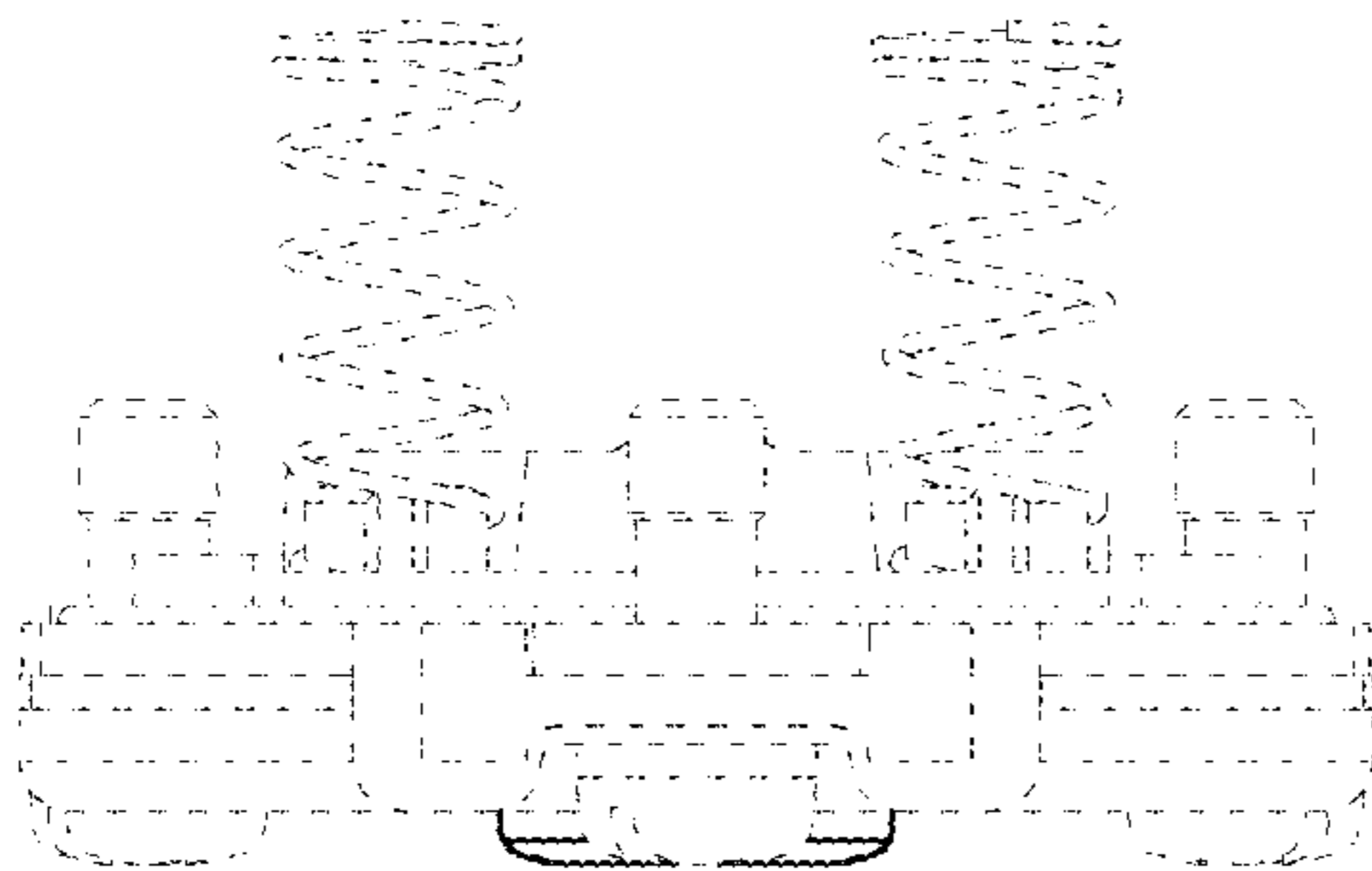


Fig. 7

