



US00D751996S

(12) **United States Design Patent**  
**Wetzel**

(10) **Patent No.:** **US D751,996 S**  
(45) **Date of Patent:** **\*\* Mar. 22, 2016**

- (54) **MICRO ENVIRONMENT CONTROL UNIT**
- (71) Applicant: **Air Innovations, Inc.**, North Syracuse, NY (US)
- (72) Inventor: **Michael Wetzel**, Skaneateles, NY (US)
- (73) Assignee: **Air Innovations, Inc.**, North Syracuse, NY (US)
- (\*\*) Term: **14 Years**
- (21) Appl. No.: **29/501,691**
- (22) Filed: **Sep. 8, 2014**
- (51) **LOC (10) Cl.** ..... **13-03**
- (52) **U.S. Cl.**  
USPC ..... **D13/163**; D10/49
- (58) **Field of Classification Search**  
USPC ..... D13/126, 139.4, 156, 162; D10/49, 50; D14/305  
CPC .... A47B 21/0073; A47B 21/06; G05B 15/00; G05B 15/02; G05B 2219/2642; F24F 11/00; F24F 11/0009; F24F 11/0012; F24F 11/0034; F24F 2011/0071; F24D 19/10; H05B 37/0254  
See application file for complete search history.

- D493,146 S \* 7/2004 Brett ..... D13/164
- 6,802,577 B2 \* 10/2004 Gershfeld ..... A47B 21/0073  
108/50.01
- D520,883 S \* 5/2006 Hillard ..... D10/50
- D556,139 S \* 11/2007 Gershfeld ..... D13/139.4
- 7,312,393 B2 \* 12/2007 McCarthy ..... A47B 21/06  
174/480
- D559,710 S \* 1/2008 Jacoby ..... D10/103
- D569,863 S \* 5/2008 Feldstein ..... D14/305
- D626,542 S \* 11/2010 Libman ..... D13/139.4
- D628,099 S \* 11/2010 Libman ..... D10/49
- D639,681 S \* 6/2011 Rodriguez ..... D10/49
- 8,002,179 B2 \* 8/2011 Feit ..... B60K 35/00  
235/382
- 8,138,689 B2 \* 3/2012 Adenau ..... H05B 37/0254  
315/292
- D657,315 S \* 4/2012 Feldstein ..... D13/139.4
- D664,050 S \* 7/2012 Rodriguez ..... D10/49
- 8,943,978 B2 \* 2/2015 Soper ..... A47B 21/06  
108/50.02
- 2008/0281472 A1 \* 11/2008 Podgorny ..... F24F 11/0009  
700/276
- 2012/0239205 A1 \* 9/2012 Frerking ..... F24F 11/001  
700/276
- 2014/0265753 A1 \* 9/2014 Soper ..... A47B 21/06  
312/22

\* cited by examiner

*Primary Examiner* — Selina Sikder  
(74) *Attorney, Agent, or Firm* — Harris Beach PLLC

(56) **References Cited**  
U.S. PATENT DOCUMENTS

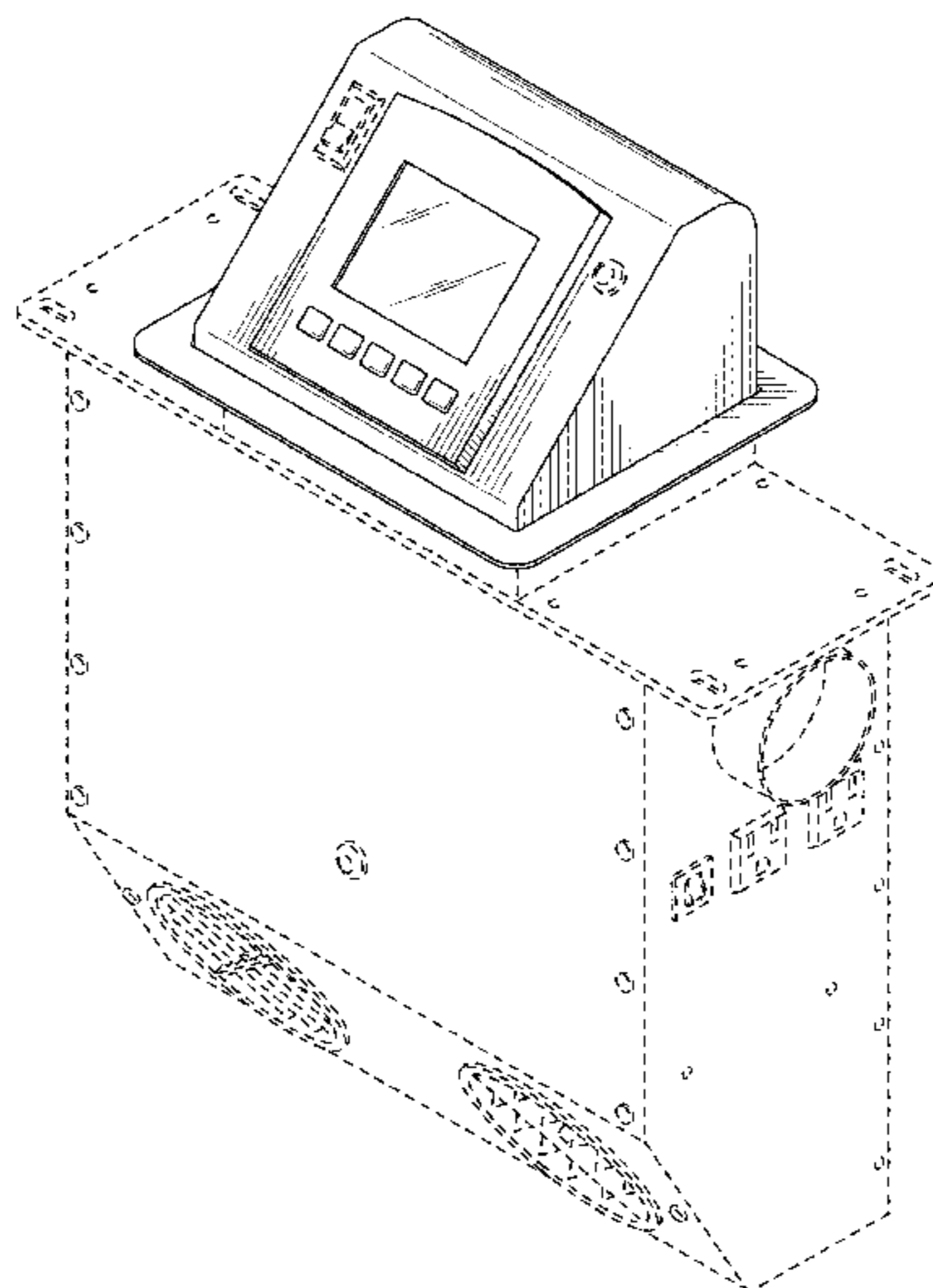
- D280,893 S \* 10/1985 Ueda ..... D13/164
- D360,404 S \* 7/1995 Cotten ..... D13/164
- 5,455,748 A \* 10/1995 Cotten ..... H05B 37/029  
190/1
- D420,332 S \* 2/2000 Lee ..... D13/163
- D431,199 S \* 9/2000 Bennett ..... D10/103
- D451,890 S \* 12/2001 Reese, Jr. .... D13/163
- 6,338,301 B1 \* 1/2002 Almond ..... A47B 21/06  
108/26
- 6,366,832 B2 \* 4/2002 Lomonaco ..... F24F 11/0001  
236/49.3
- D460,736 S \* 7/2002 Pincek ..... D13/139.4
- 6,492,591 B1 \* 12/2002 Metcalf ..... A47B 21/06  
174/480

(57) **CLAIM**  
The ornamental design for a micro environment control unit, as shown and described.

**DESCRIPTION**

FIG. 1 is a perspective view of a micro environment control unit, illustrating my new design;  
FIG. 2 is a front view thereof;  
FIG. 3 is a left elevation view thereof;  
FIG. 4 is a right elevation view thereof; and,  
FIG. 5 is a top plan view thereof.  
In FIGS. 1-5 the broken lines are for illustrative purposes only and form no part of the claimed design.

**1 Claim, 5 Drawing Sheets**



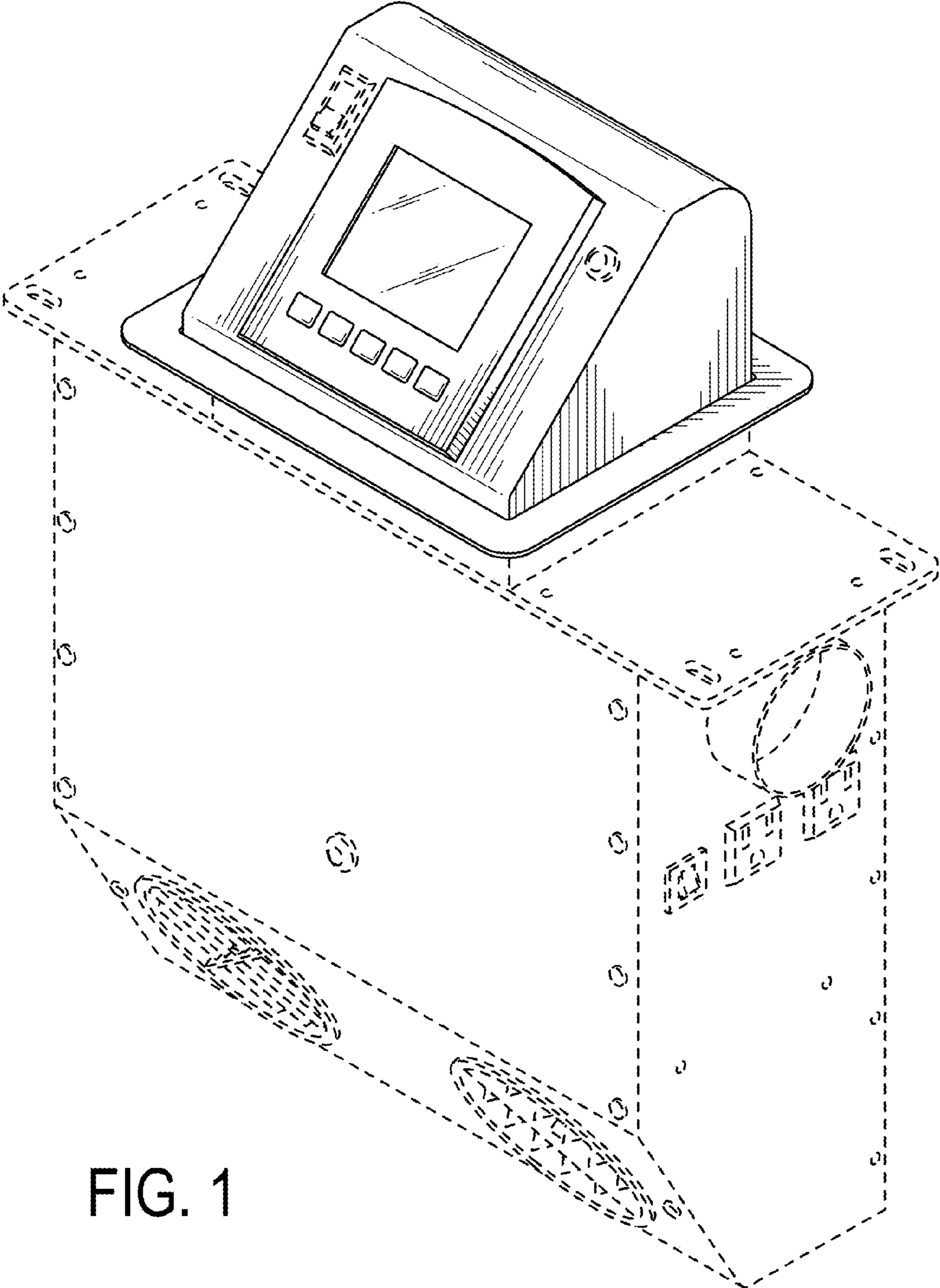


FIG. 1

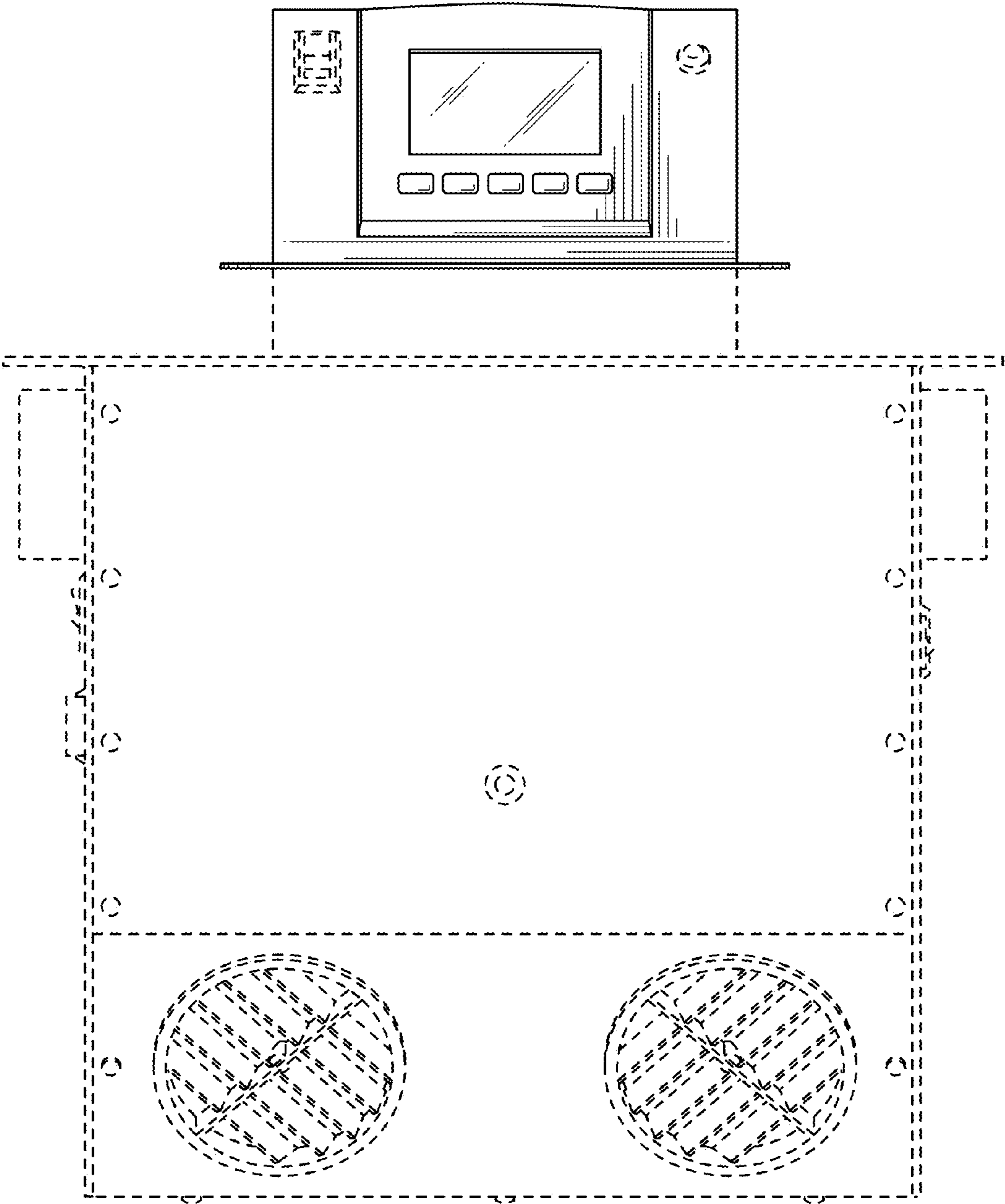


FIG. 2

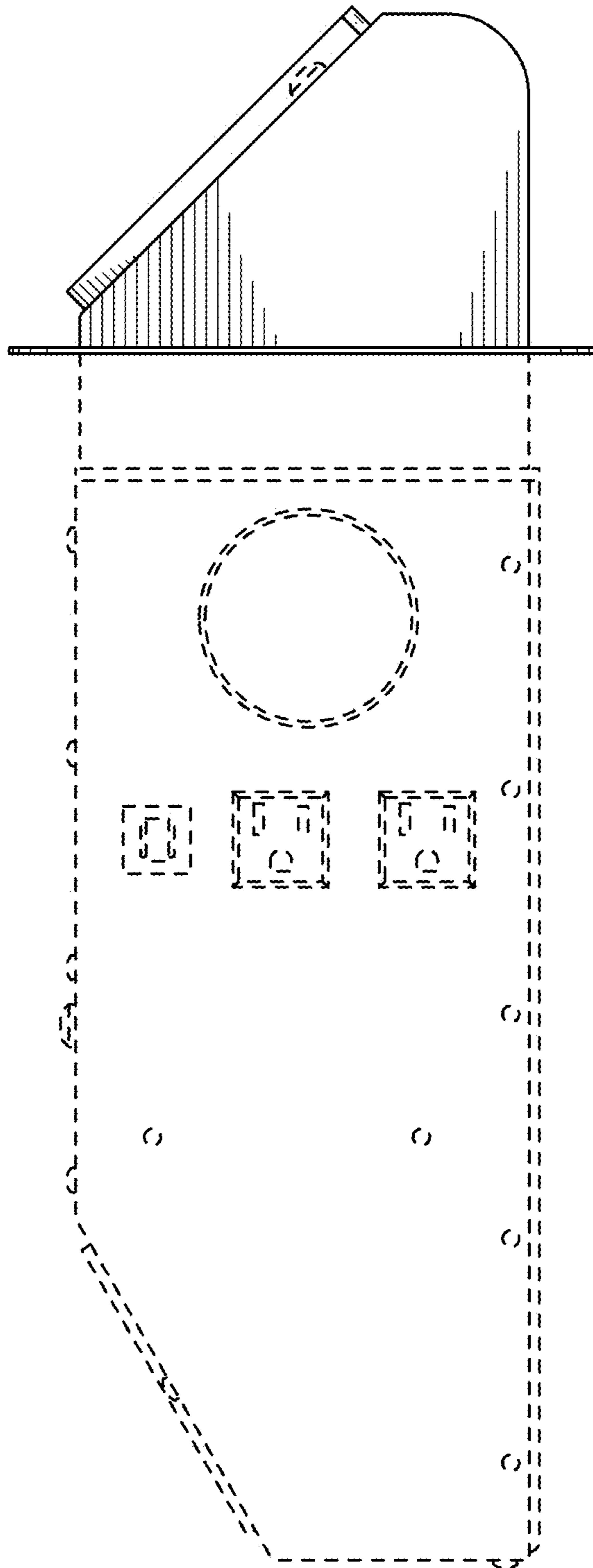


FIG. 3

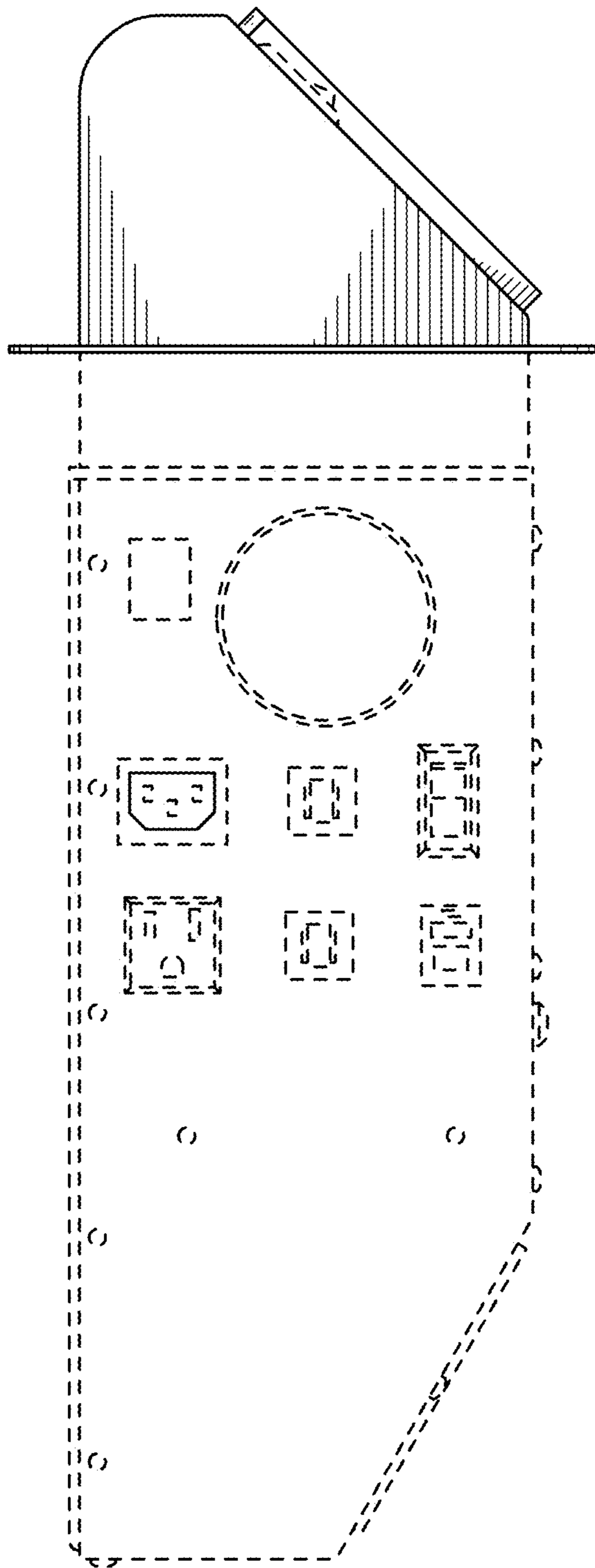


FIG. 4

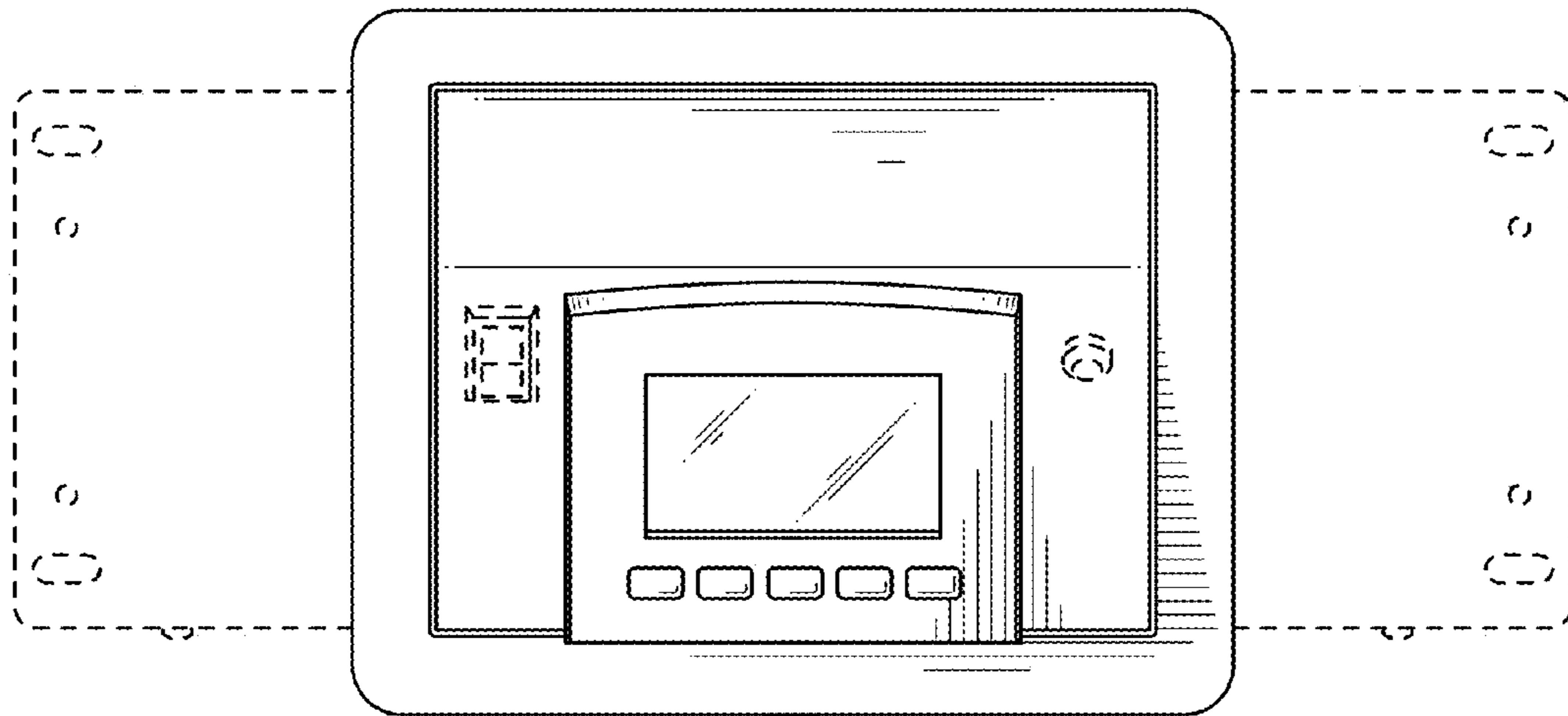


FIG. 5