



US00D751990S

(12) **United States Design Patent**
Ikeda et al.

(10) **Patent No.:** **US D751,990 S**
(45) **Date of Patent:** **** Mar. 22, 2016**

(54) **HOUSING FOR ELECTRIC CONNECTOR**

(71) Applicant: **Molex, LLC**, Lisle, IL (US)

(72) Inventors: **Makiko Ikeda**, Yamato (JP); **Kazushige Asakawa**, Yokohama (JP)

(73) Assignee: **Molex, LLC**, Lisle, IL (US)

(**) Term: **14 Years**

(21) Appl. No.: **29/503,257**

(22) Filed: **Sep. 24, 2014**

(30) **Foreign Application Priority Data**

Mar. 25, 2014 (JP) 2014-006283

(51) **LOC (10) Cl.** **13-03**

(52) **U.S. Cl.**
USPC **D13/147**

(58) **Field of Classification Search**
USPC D13/133, 146, 147, 154, 184, 199
See application file for complete search history.

(56) **References Cited**

U.S. PATENT DOCUMENTS

D317,901 S * 7/1991 Makita D13/147
D335,649 S * 5/1993 Ogawa D13/147

D463,370 S * 9/2002 Chen D13/147
D523,399 S * 6/2006 Sakamaki D13/147
D605,133 S * 12/2009 Tanaka D13/147
D719,098 S * 12/2014 Endo D13/147

* cited by examiner

Primary Examiner — Daniel Bui

(74) *Attorney, Agent, or Firm* — James A. O'Malley

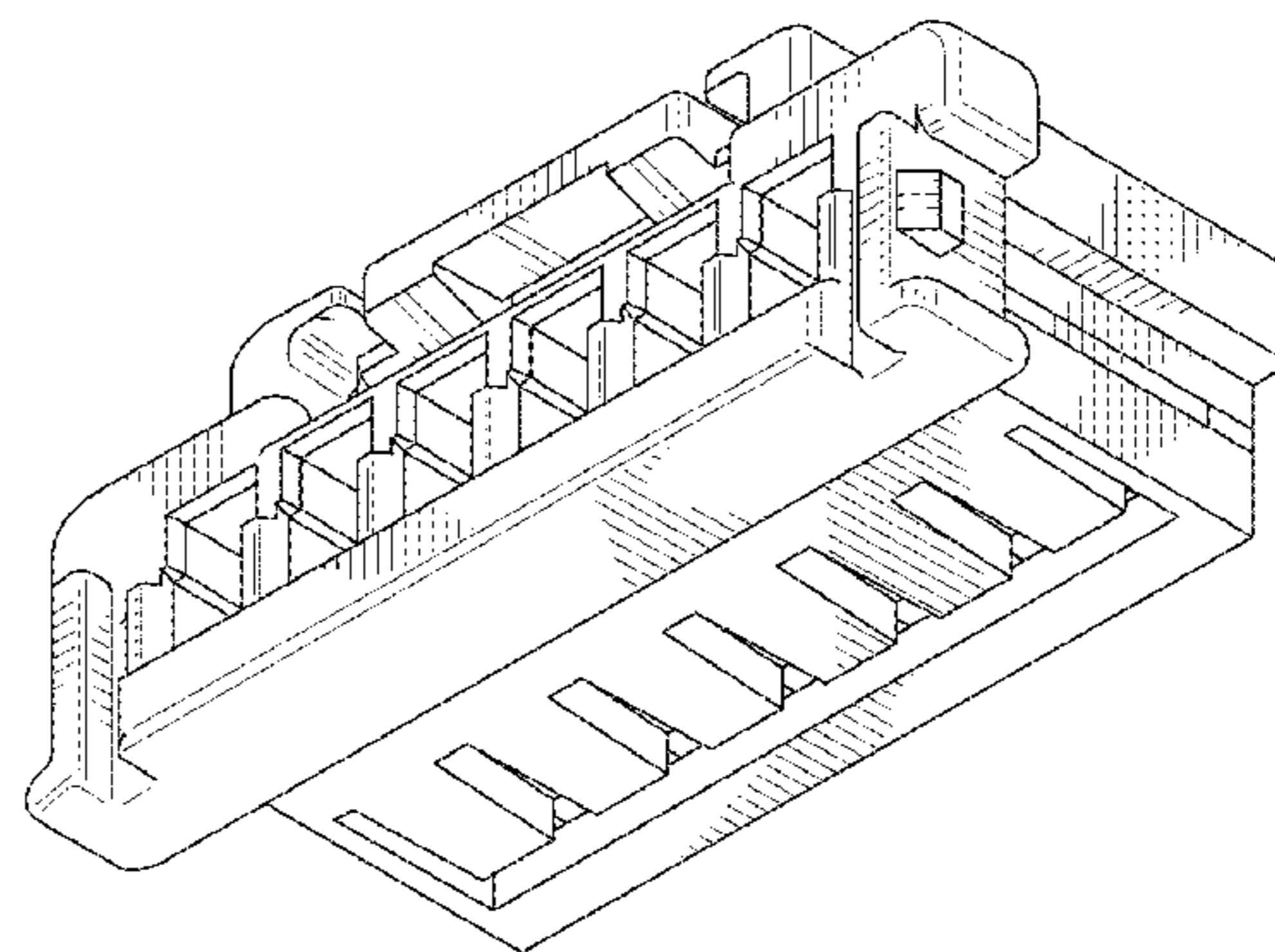
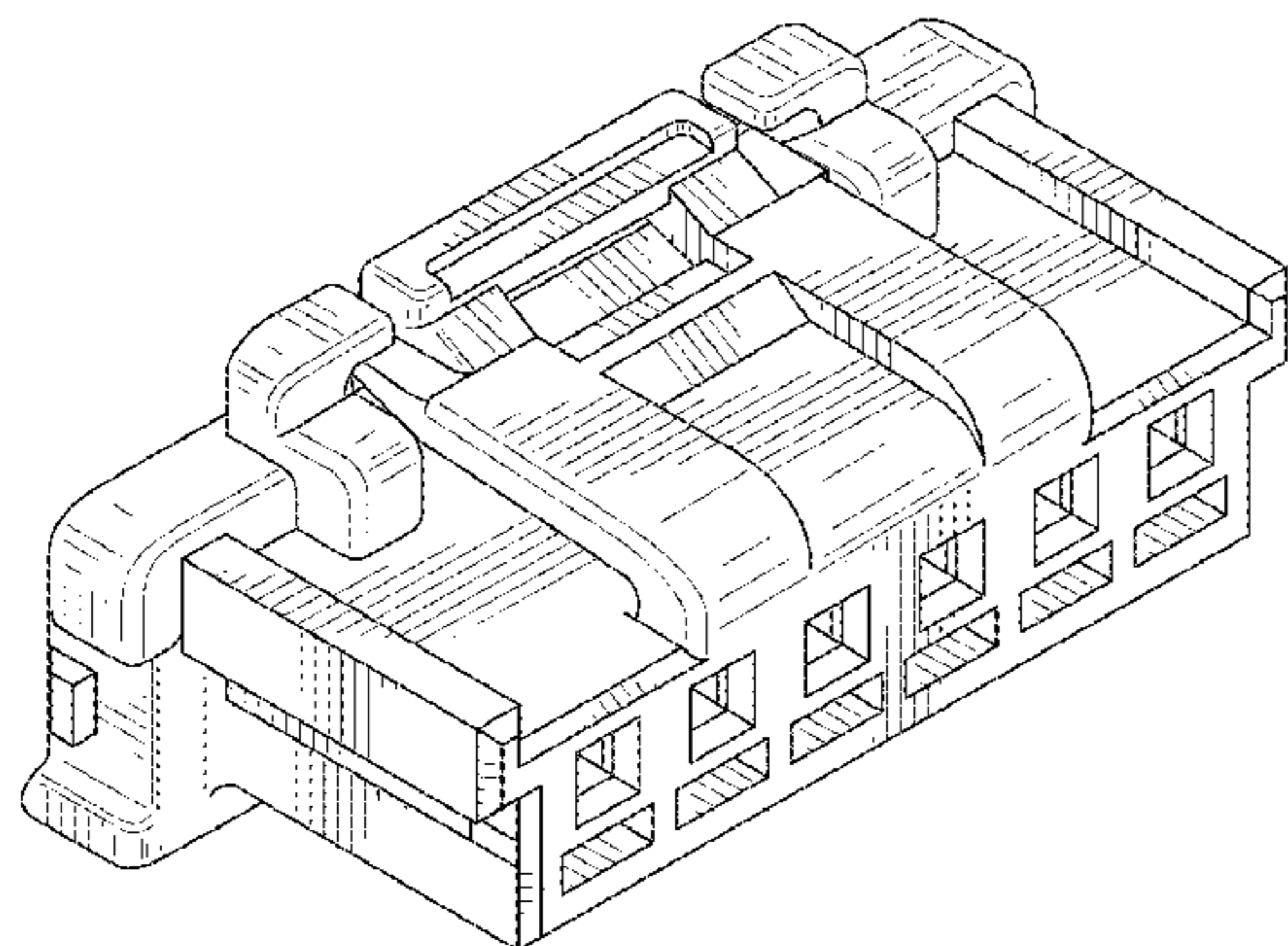
(57) **CLAIM**

The ornamental design for a housing for electric connector, as shown and described.

DESCRIPTION

FIG. 1 is a front and top perspective view of a housing for an electric connector, showing our new design;
FIG. 2 is a rear and top perspective view thereof;
FIG. 3 is a front and bottom perspective view thereof;
FIG. 4 is rear and bottom perspective view thereof;
FIG. 5 is a front elevation view thereof;
FIG. 6 is a rear elevation view thereof;
FIG. 7 is a top plan view thereof;
FIG. 8 is a bottom plan view thereof;
FIG. 9 is a first side elevation view thereof; and,
FIG. 10 is a second side elevation view thereof.
The broken line in the figure drawings is included for the purpose of illustrating unclaimed environment and forms no part of the claimed design.

1 Claim, 5 Drawing Sheets



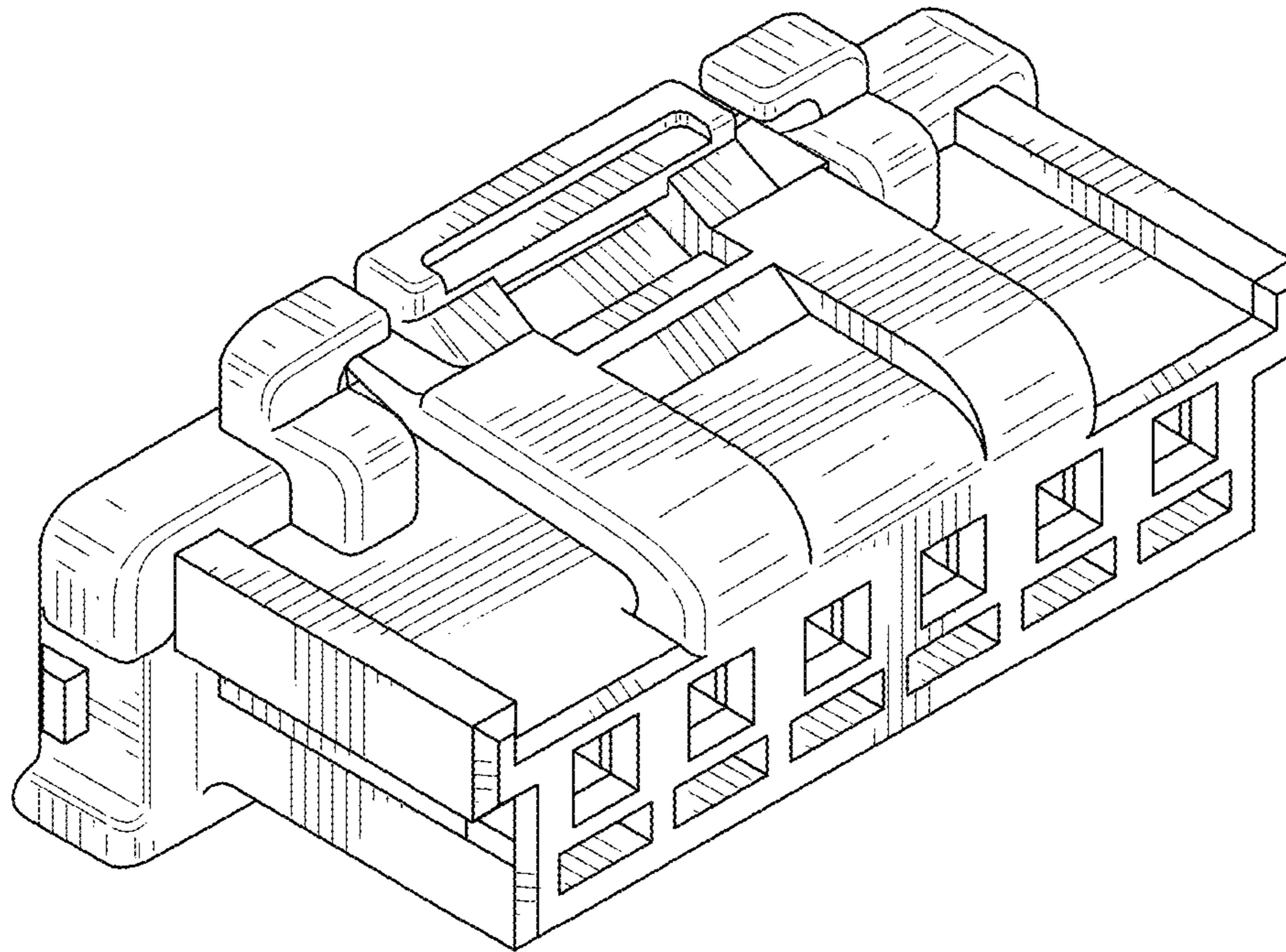


FIG. 1

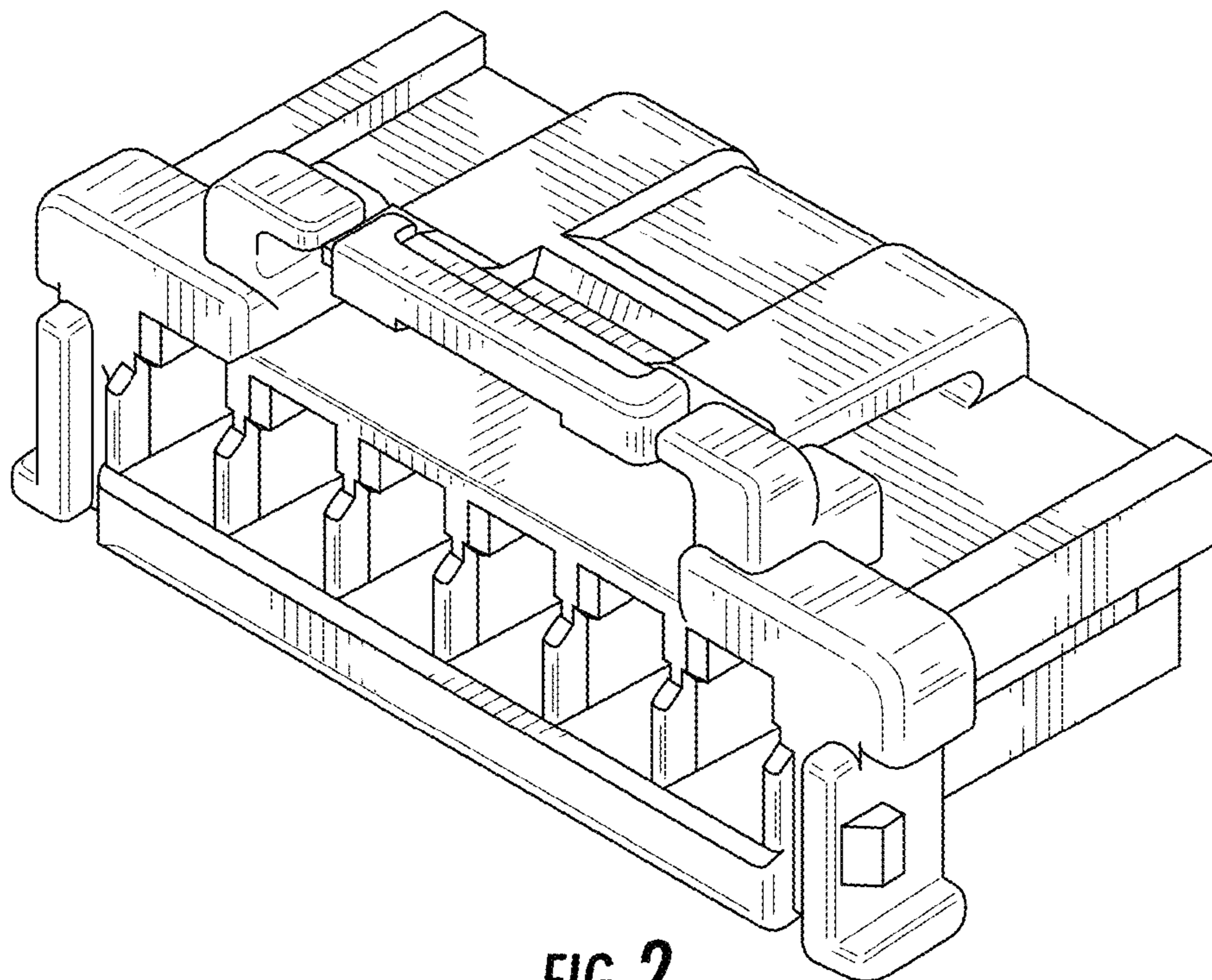


FIG. 2

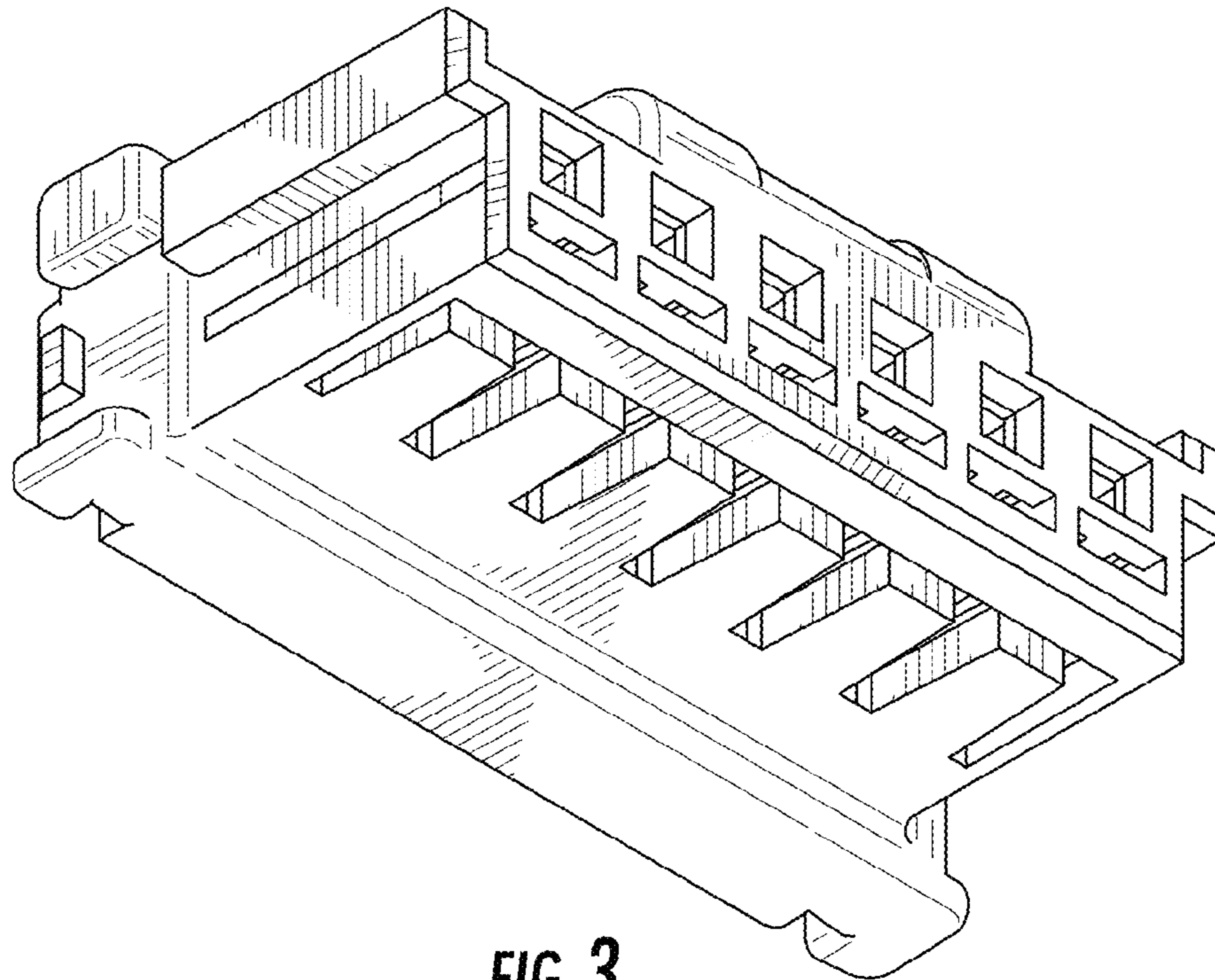


FIG. 3

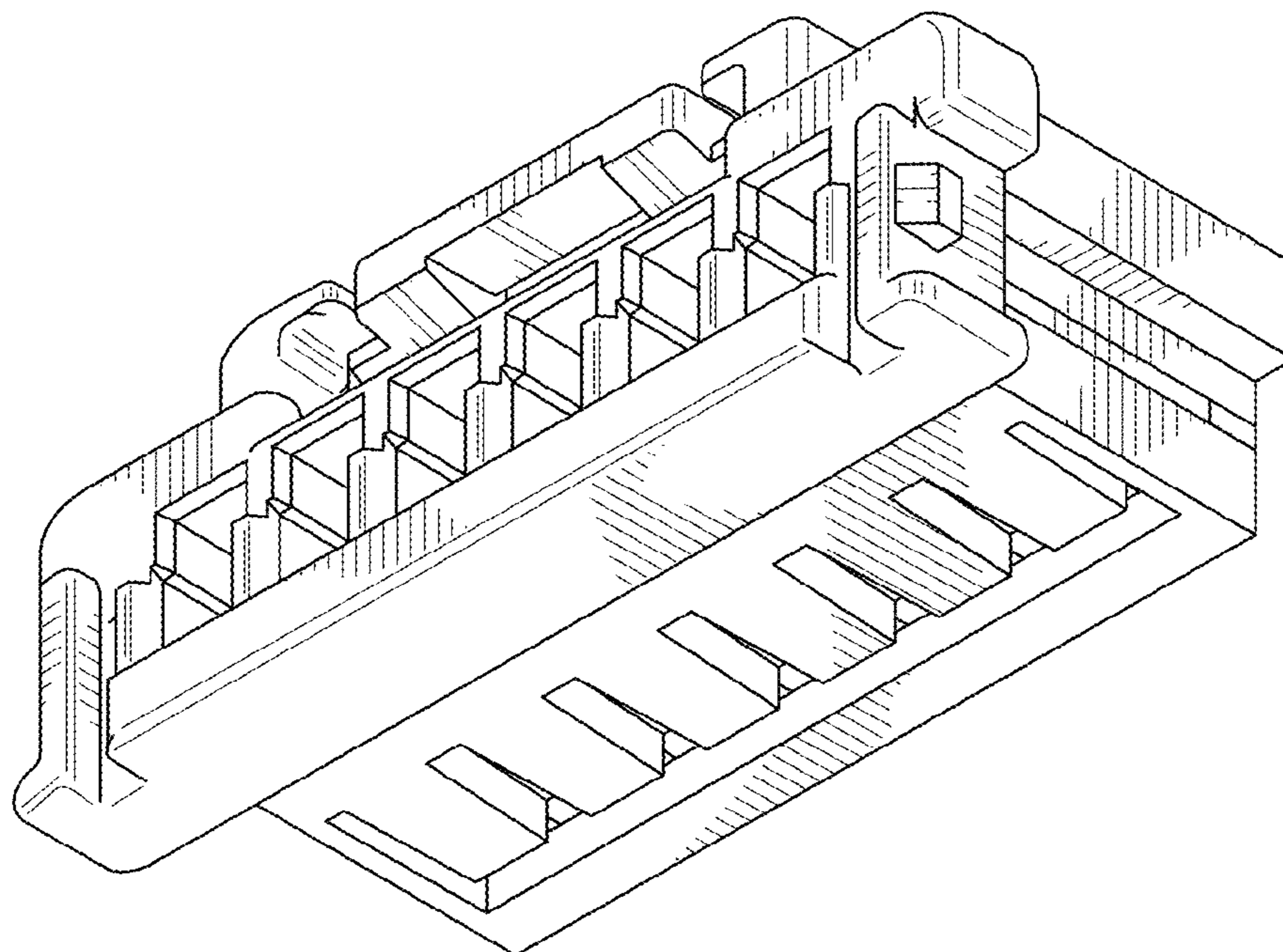


FIG. 4

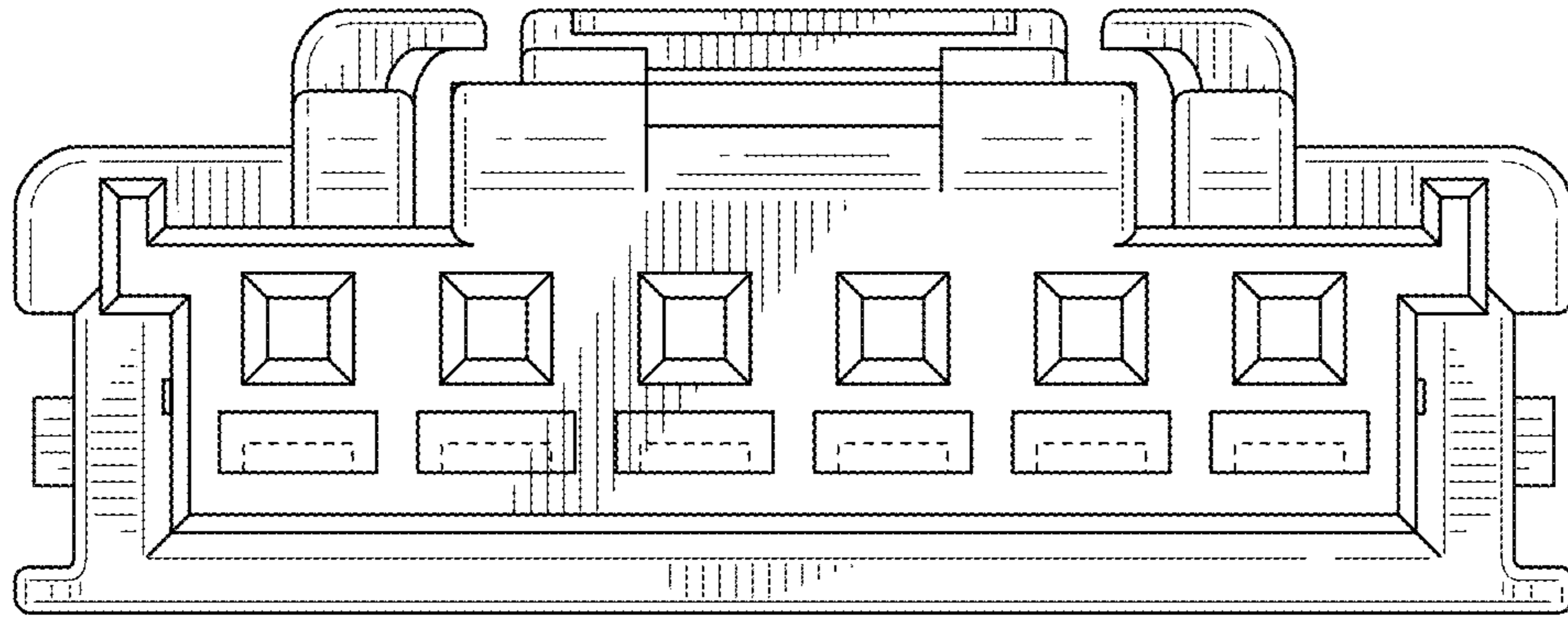


FIG. 5

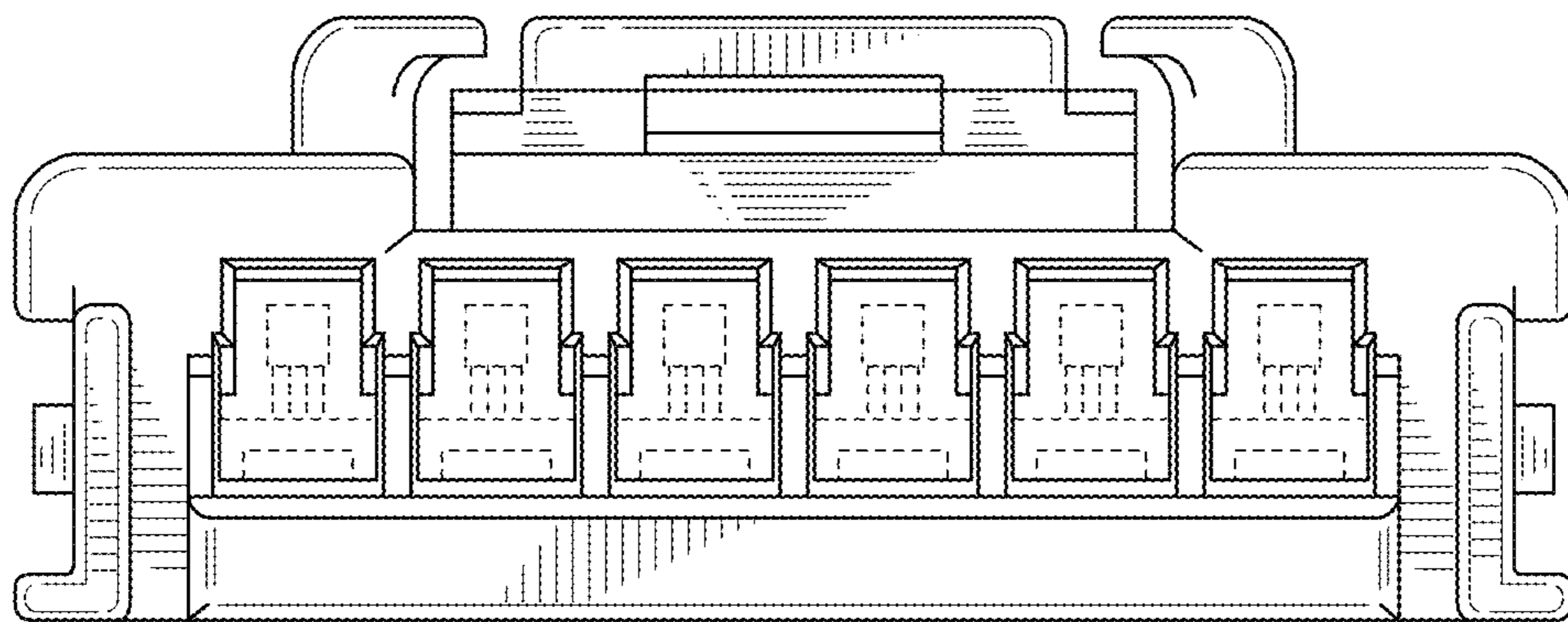


FIG. 6

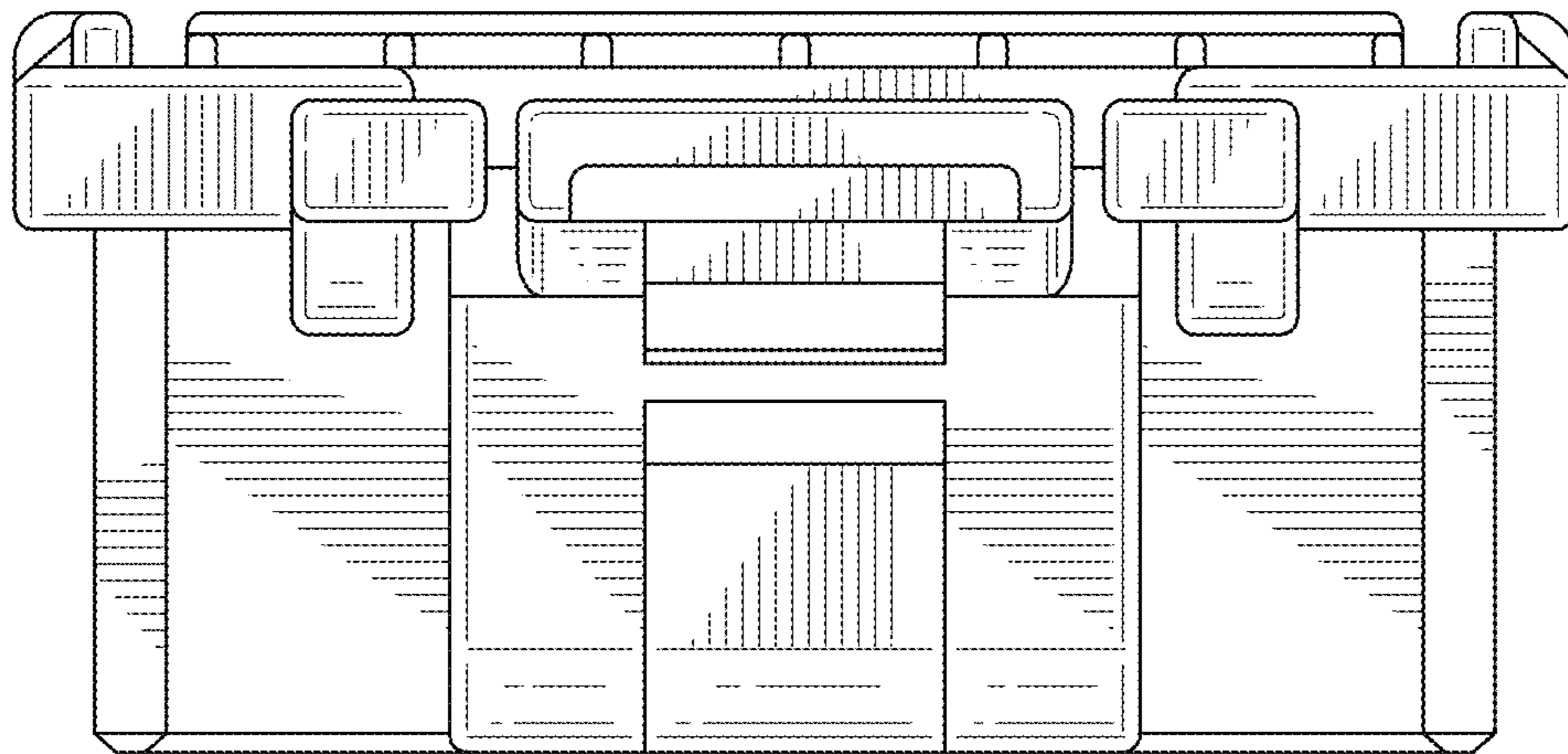


FIG. 7

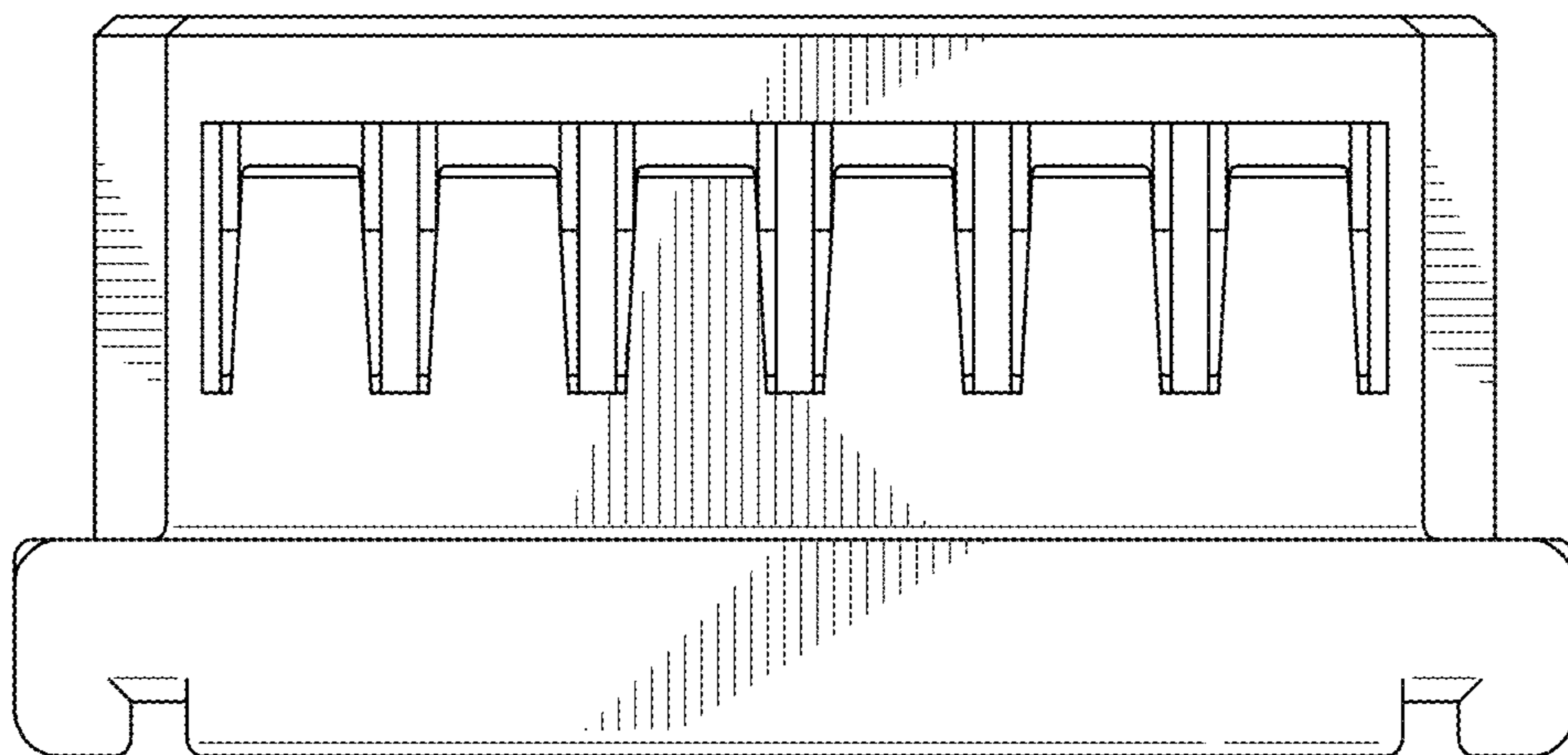


FIG. 8

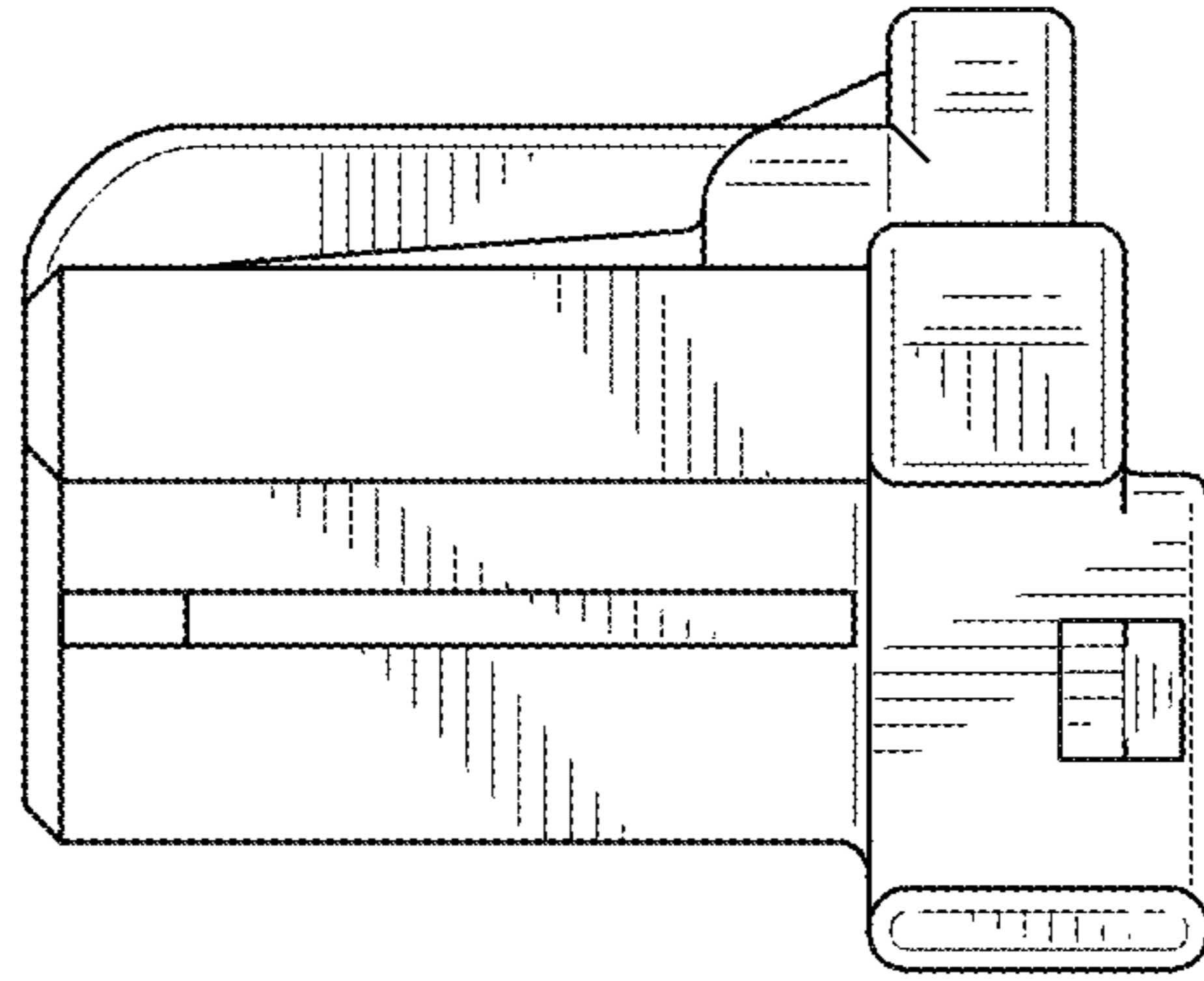


FIG. 9

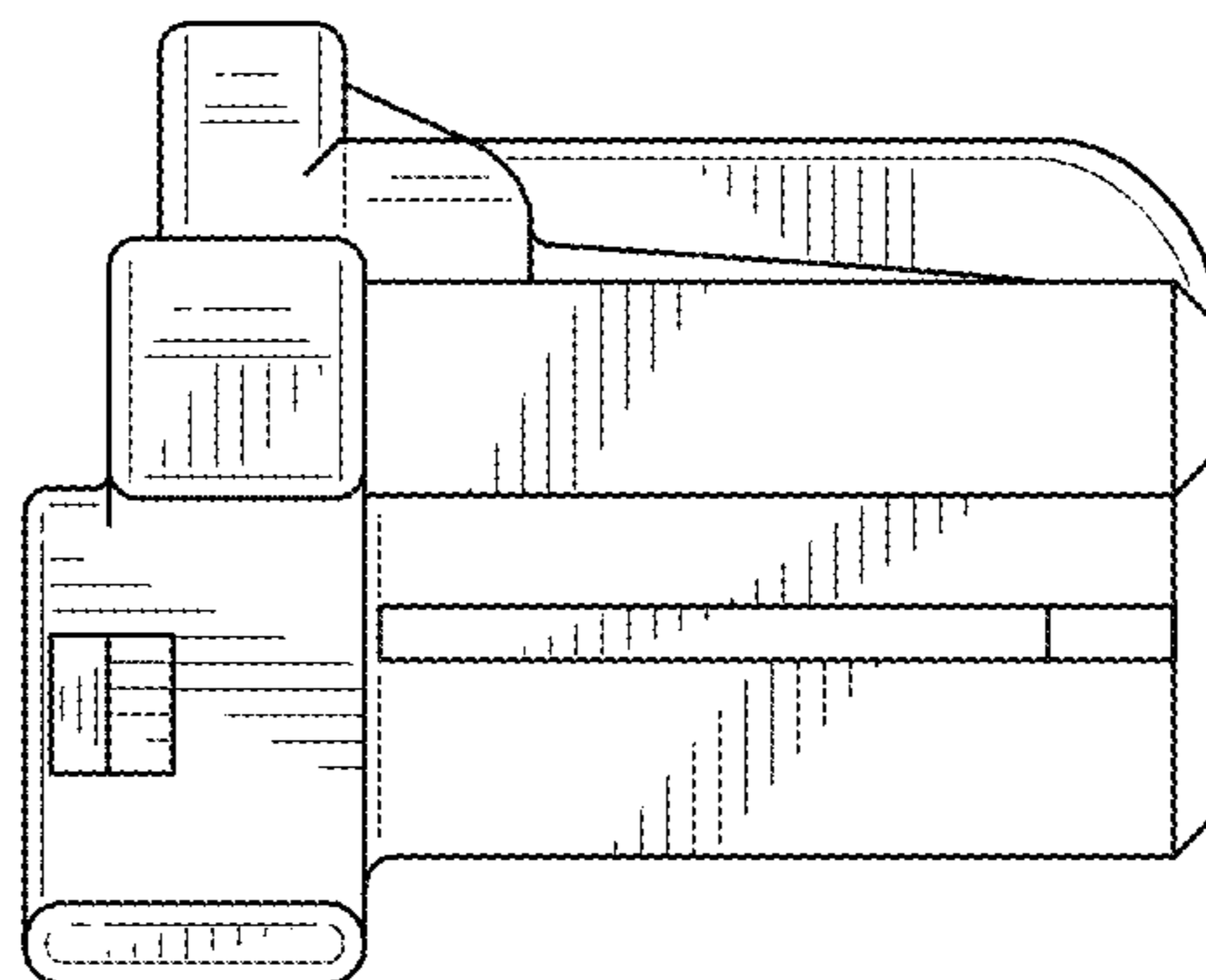


FIG. 10