



US00D751988S

(12) **United States Design Patent**
Bdeir

(10) **Patent No.:** **US D751,988 S**
(45) **Date of Patent:** **** Mar. 22, 2016**

(54) **CONNECTOR FOR MODULAR ELECTRONIC BUILDING SYSTEM**

(71) Applicant: **littleBits Electronics Inc.**, New York, NY (US)

(72) Inventor: **Aya Bdeir**, New York, NY (US)

(73) Assignee: **littleBits EElectronics, Inc.**, New York, NY (US)

(**) Term: **15 Years**

(21) Appl. No.: **29/530,982**

(22) Filed: **Jun. 22, 2015**

Related U.S. Application Data

(62) Division of application No. 29/437,623, filed on Nov. 19, 2012, now Pat. No. Des. 732,475.

(51) **LOC (10) Cl.** **13-03**

(52) **U.S. Cl.**
USPC **D13/146**

(58) **Field of Classification Search**
USPC D13/146, 147, 154, 184, 199; D21/398
CPC H01R 9/03; H01R 9/09; H01R 9/091;
H01R 9/096; H01R 9/097; H01R 9/098;
H05K 5/00; H05K 7/00; H05K 11/30; A63H
3/04; A63H 3/006; A63H 3/16
See application file for complete search history.

(56) **References Cited**

U.S. PATENT DOCUMENTS

- 4,878,848 A * 11/1989 Ingalsbe H01R 31/06
439/638
- D658,586 S * 5/2012 Lin D13/146
- D732,475 S * 6/2015 Bdeir D13/146
- 2007/0173095 A1 * 7/2007 Bin-Nun A63H 33/108
439/219
- 2008/0166926 A1 * 7/2008 Seymour E04B 2/06
439/701
- 2010/0151738 A1 * 6/2010 Chou G06T 17/10
439/638
- 2010/0311300 A1 * 12/2010 Hansen A63H 33/042
446/91
- 2011/0263145 A1 * 10/2011 Kim H01R 13/4534
439/137

- 2013/0050958 A1 * 2/2013 Bdeir H01R 13/6205
361/730
- 2013/0343025 A1 * 12/2013 Bdeir H01R 13/6205
361/803
- 2014/0038466 A1 * 2/2014 Karodi H01R 13/514
439/626

OTHER PUBLICATIONS

Building blocks that blink, beep and teach, Posted Feb. 2012, by Editors TED Talks, [online], [site visited Jan. 22, 2015]. Available from Internet, <URL: http://www.ted.com/talks/ayah_bdeir_building_blocks_that_blink_beep_and_teach>.*

* cited by examiner

Primary Examiner — Rosemary K Tarcza

Assistant Examiner — Sanjeev Paul

(74) *Attorney, Agent, or Firm* — Cooley LLP

(57) **CLAIM**

The ornamental design for a connector for a modular electronic building system, as shown and described.

DESCRIPTION

FIG. 1 is a bottom perspective view of a connector for a modular electronic building system, according to an embodiment;

FIG. 2 is a front view of the connector for a modular electronic building system illustrated in FIG. 1;

FIG. 3 is a rear view of the connector for a modular electronic building system illustrated in FIG. 1;

FIG. 4 is a left side view of the connector for a modular electronic building system illustrated in FIG. 1;

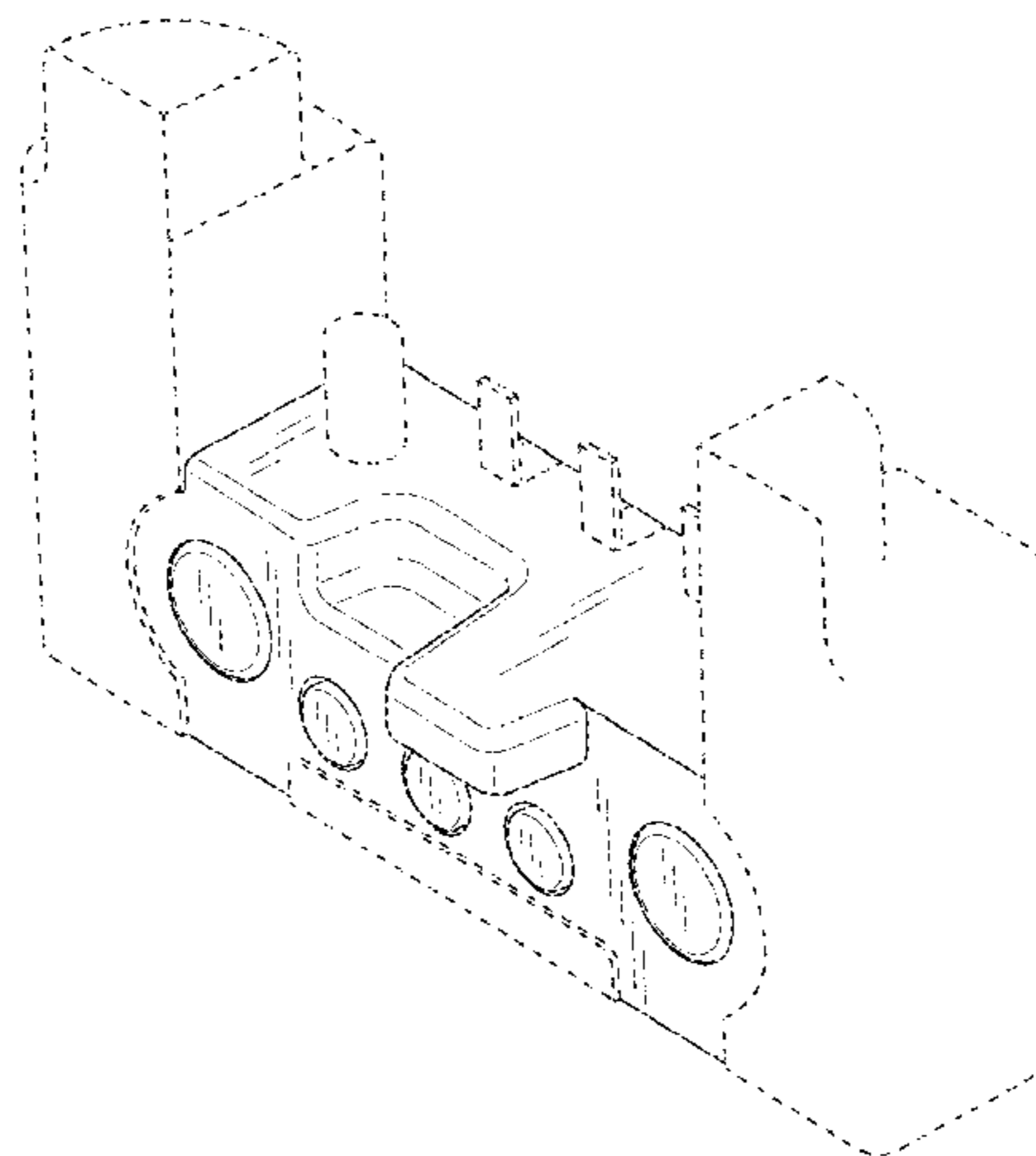
FIG. 5 is a right side view of the connector for a modular electronic building system illustrated in FIG. 1;

FIG. 6 is a bottom view of the connector for a modular electronic building system illustrated in FIG. 1; and,

FIG. 7 is a top view of the connector for a modular electronic building system illustrated in FIG. 1.

The broken lines in the figures show non-claimed portions of the connector for modular electronic building system; the broken lines form no part of the claimed design.

1 Claim, 4 Drawing Sheets



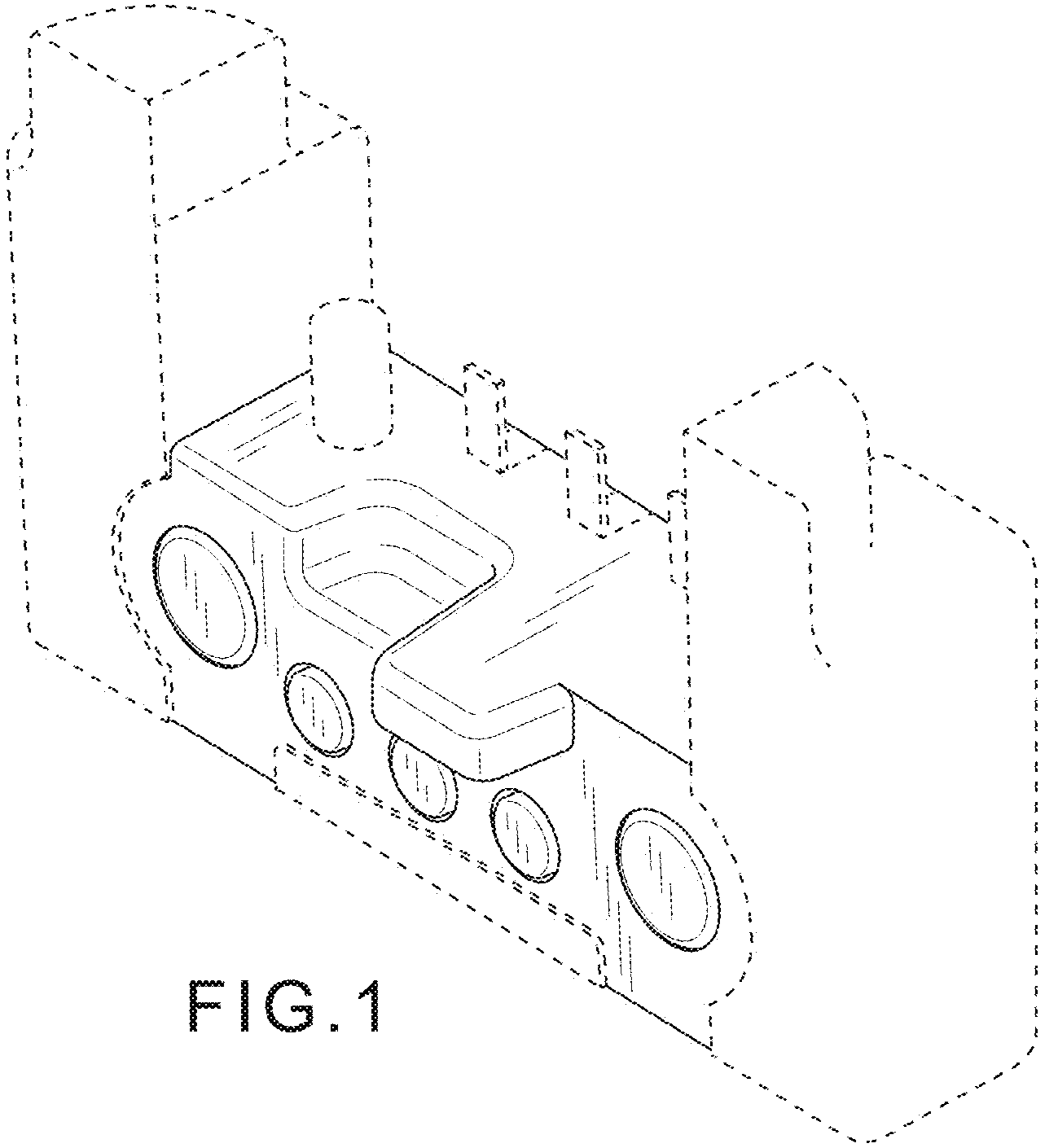


FIG. 1

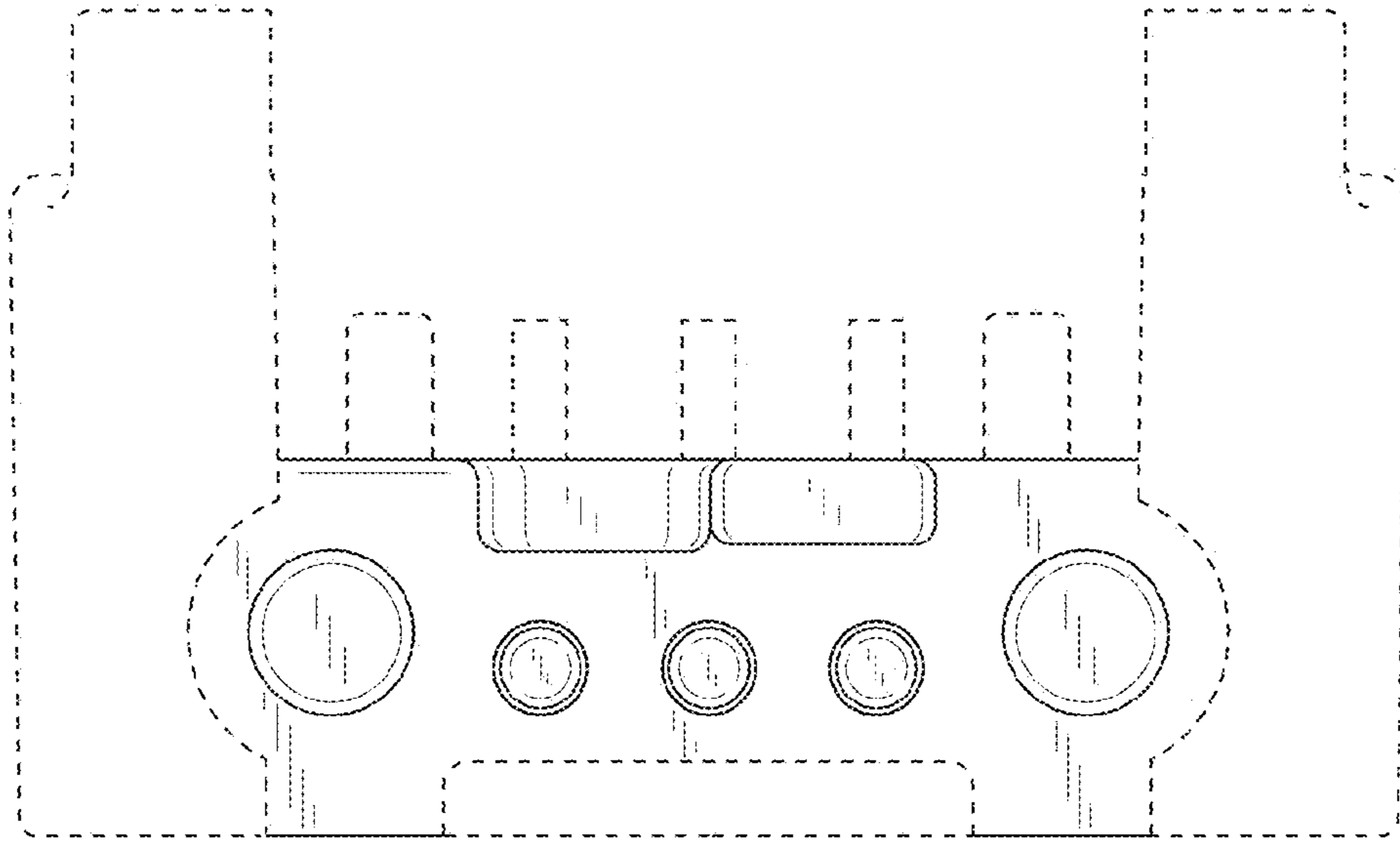


FIG. 2

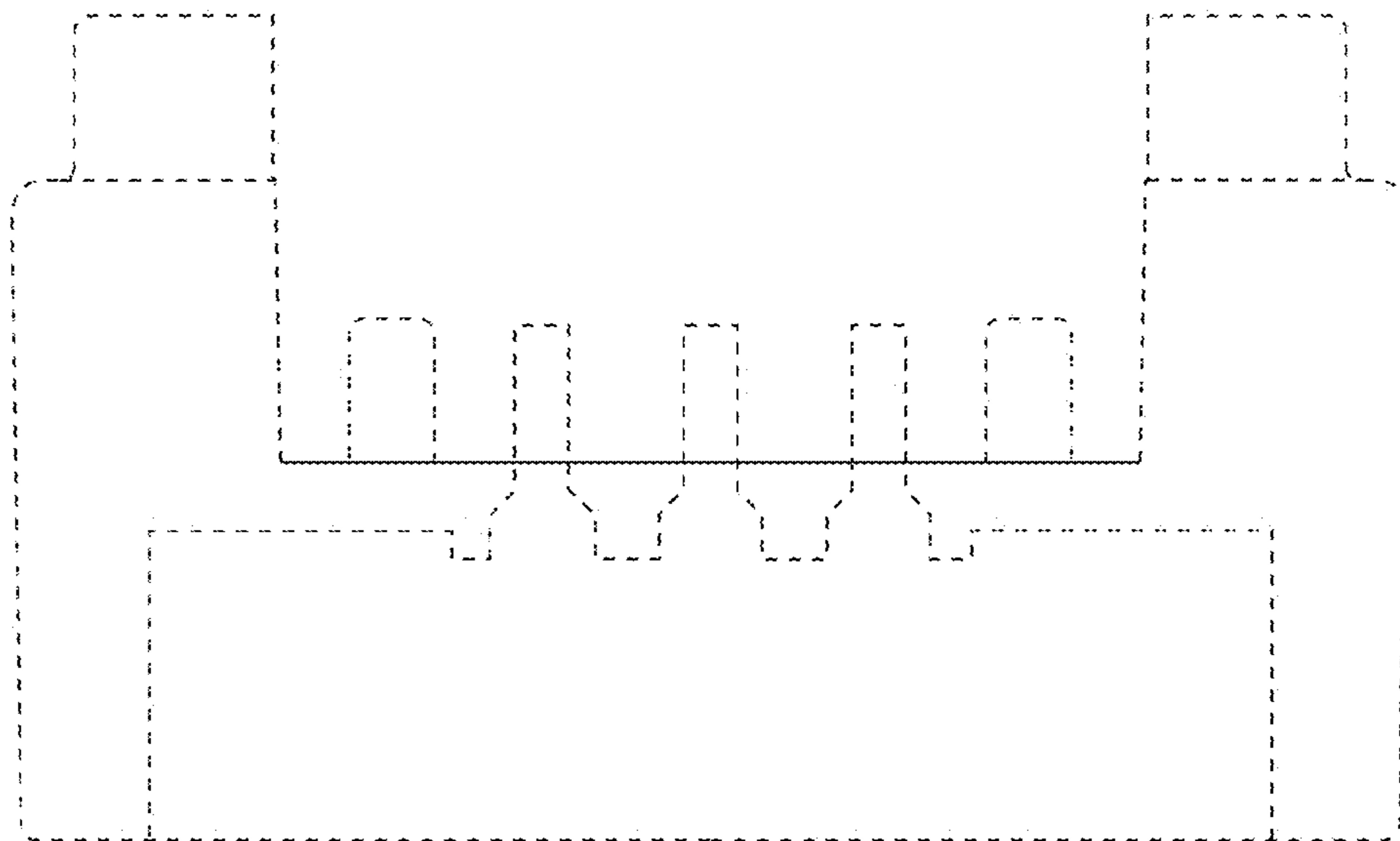


FIG. 3

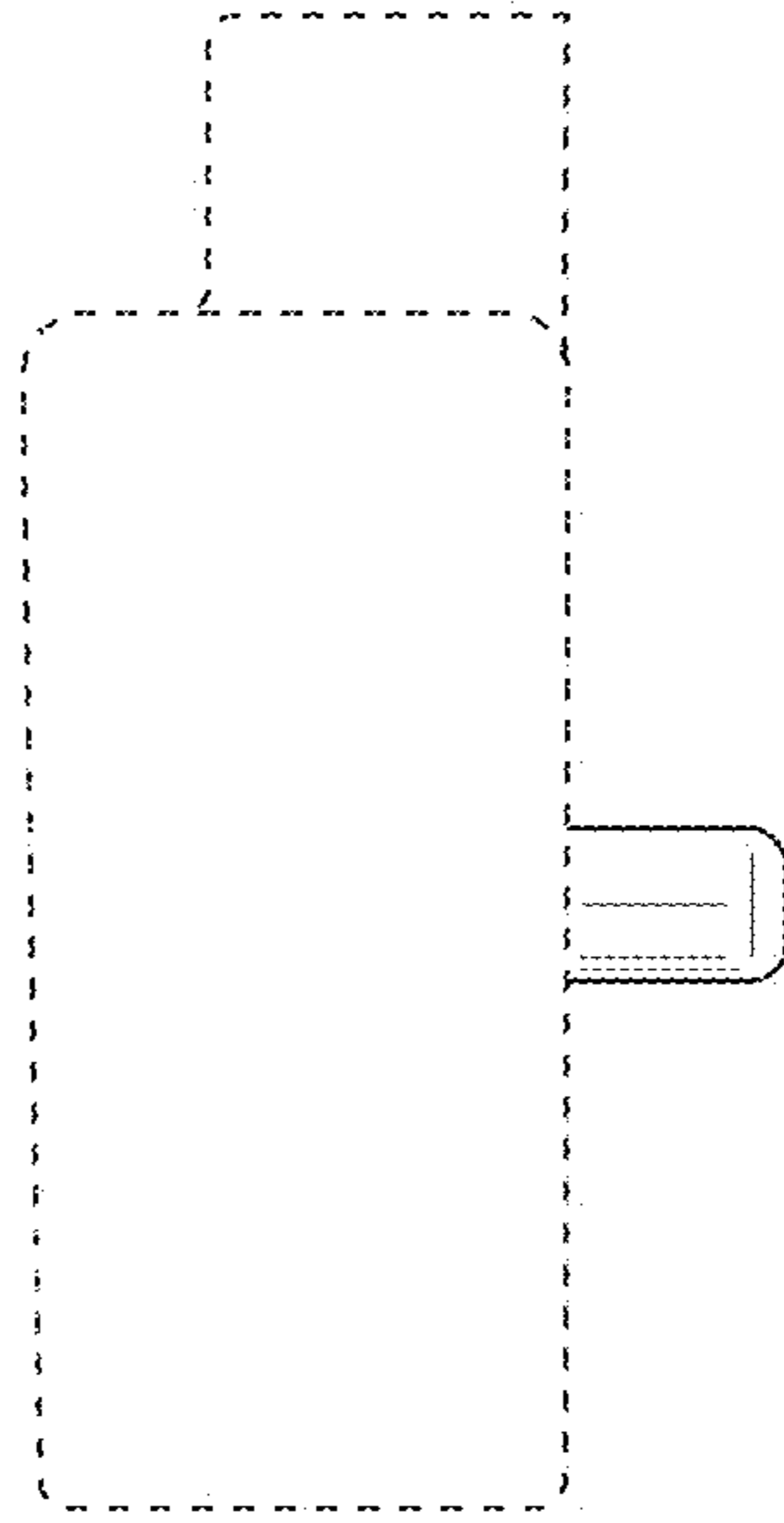


FIG. 4

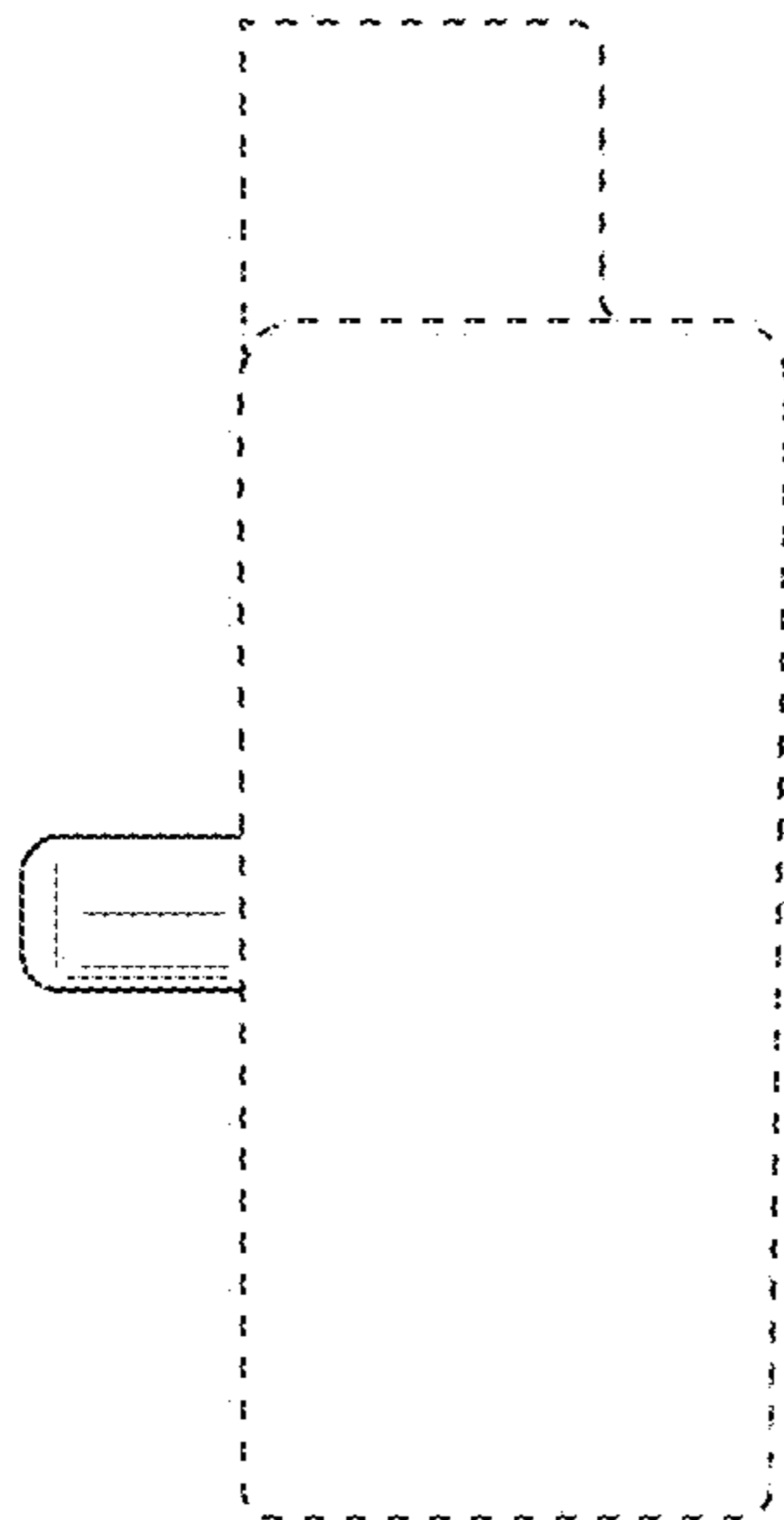


FIG. 5

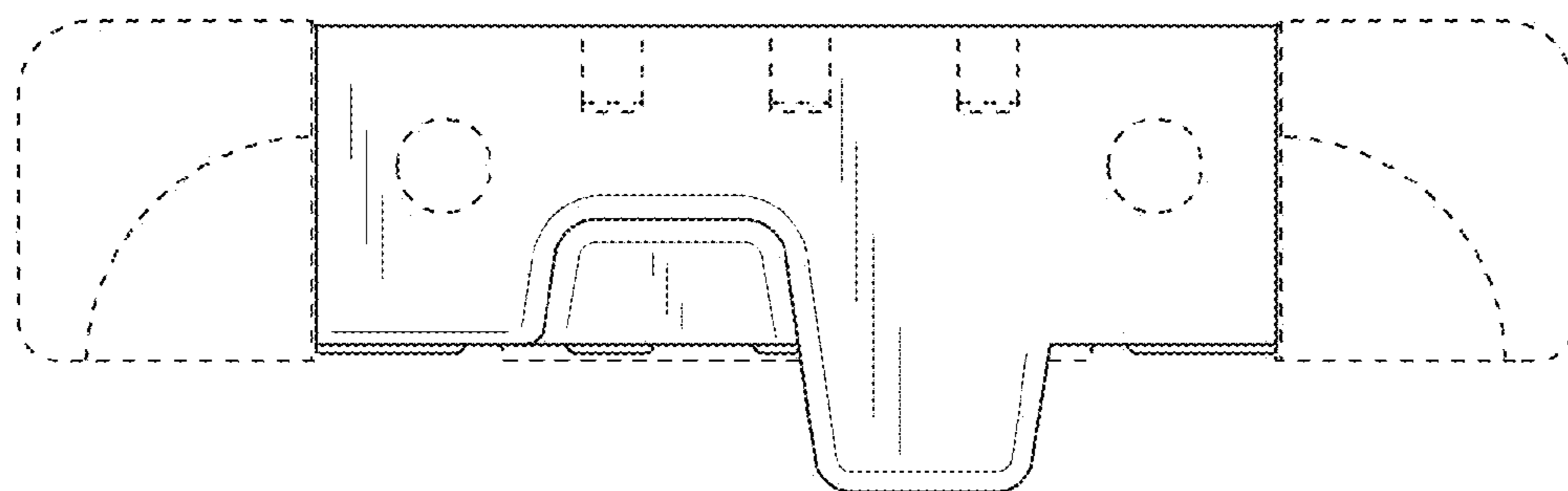


FIG. 6

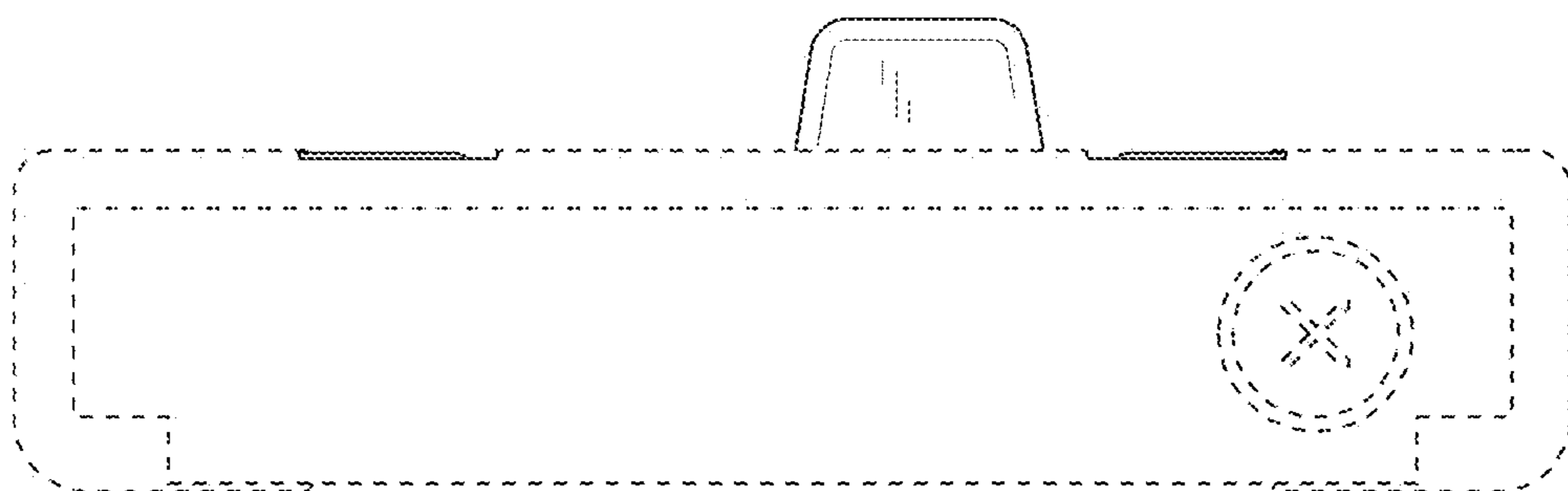


FIG. 7