

US00D751986S

(12) **United States Design Patent**  
**Andren**

(10) **Patent No.:** **US D751,986 S**  
(45) **Date of Patent:** **\*\* Mar. 22, 2016**

- (54) **GENERATOR ENCLOSURE**
- (71) Applicant: **Kohler Co.**, Kohler, WI (US)
- (72) Inventor: **Travis J. Andren**, Sheboygan, WI (US)
- (73) Assignee: **Kohler Co.**, Kohler, WI (US)
- (\*\*) Term: **14 Years**
- (21) Appl. No.: **29/516,296**
- (22) Filed: **Jan. 30, 2015**

**Related U.S. Application Data**

- (62) Division of application No. 29/440,174, filed on Dec. 19, 2012, now Pat. No. Des. 731,971.
- (51) **LOC (10) Cl.** ..... **13-01**
- (52) **U.S. Cl.**  
USPC ..... **D13/122**; D13/114
- (58) **Field of Classification Search**  
USPC ..... 123/2, 3; 290/1 A, 1 B, 1 R; 310/89;  
322/100; 361/730; D3/201, 272, 276,  
D3/279, 294; D6/432, 440; D13/101, 111,  
D13/112, 113, 114, 115, 116, 118, 122, 184,  
D13/199; D23/351, 395  
CPC ..... F02B 63/04; H02K 5/00; H02K 7/1815;  
F16M 3/00  
See application file for complete search history.

(56) **References Cited**

**U.S. PATENT DOCUMENTS**

D27,433 S	7/1897	Heath	
D103,072 S *	2/1937	Morgan	D6/432
D138,383 S	7/1944	Whitesell	
D158,149 S	4/1950	Sundberg	
D165,225 S	11/1951	Goodman	
D249,788 S	10/1978	Nanjo	
D295,400 S	4/1988	Wung	
4,835,405 A	5/1989	Clancey et al.	

D314,743 S	2/1991	Ishii	
D335,862 S	5/1993	Kusunoki et al.	
D338,469 S	8/1993	Alden et al.	
D339,102 S	9/1993	Boyd	
D382,853 S	8/1997	Crawford	
D416,537 S	11/1999	Imai et al.	
D424,066 S *	5/2000	Wheatley et al.	D14/240
D425,517 S *	5/2000	Wheatley et al.	D14/240
D429,687 S *	8/2000	Steiner et al.	D13/110
6,124,567 A	9/2000	Feldhausen et al.	
D454,388 S	3/2002	Mutchnik et al.	
D470,103 S	2/2003	Nishida	
D486,161 S *	2/2004	Greene	D15/28
D488,138 S	4/2004	Parsadayan et al.	
D511,139 S	11/2005	Xiao	
D516,507 S	3/2006	Nushart et al.	
D517,009 S	3/2006	Xiao	
D523,806 S	6/2006	Symanzik et al.	

(Continued)

**OTHER PUBLICATIONS**

A 2010 norwall.com website excerpt depicting a Generac Guardian 14KW Generator, dated Apr. 15, 2010 (1 page).

(Continued)

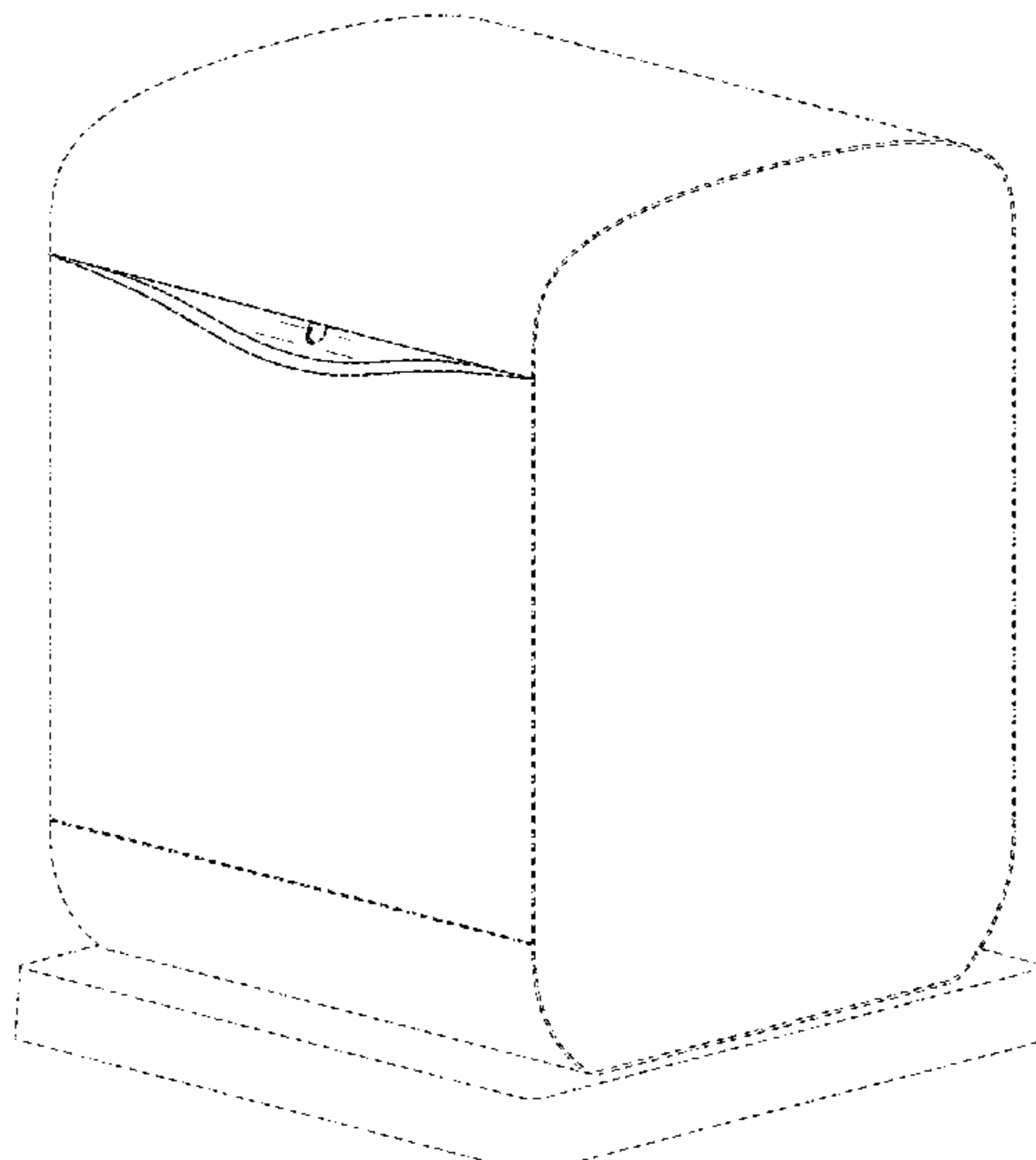
*Primary Examiner* — Derrick Holland  
*Assistant Examiner* — Jennifer O King  
(74) *Attorney, Agent, or Firm* — Michael Best & Friedrich LLP

(57) **CLAIM**  
I claim the ornamental design for a generator enclosure, as shown and described.

**DESCRIPTION**

FIG. 1 is a front view of a generator enclosure;  
FIG. 2 is a front perspective view thereof.  
The broken lines shown represent unclaimed subject matter and form no part of the claimed design.

**1 Claim, 2 Drawing Sheets**



(56)

References Cited

U.S. PATENT DOCUMENTS

D531,176 S 10/2006 Ng et al.  
D555,116 S 11/2007 Schlegel  
D557,870 S \* 12/2007 MacMillan ..... D34/14  
D564,450 S 3/2008 Gravlin et al.  
D566,042 S 4/2008 Yamasaki et al.  
D572,658 S 7/2008 Yamamoto et al.  
D574,771 S 8/2008 Flanigan  
D584,251 S 1/2009 Lewis et al.  
D588,061 S 3/2009 Bao et al.  
D588,063 S 3/2009 Lannoch  
D589,518 S \* 3/2009 Keith et al. .... D14/441  
D594,819 S 6/2009 Yamamoto et al.  
D624,878 S 10/2010 Uneo et al.

D638,795 S 5/2011 Bechtel  
D654,023 S 2/2012 Kyle Ching Hao  
D662,055 S 6/2012 Little et al.  
D696,185 S \* 12/2013 Azuma ..... D13/101  
D715,048 S \* 10/2014 Donnelly et al. .... D3/273  
D723,803 S \* 3/2015 Thuma et al. .... D3/277  
D726,134 S \* 4/2015 Prendes ..... D13/184  
2003/0071465 A1 \* 4/2003 Sugimoto et al. .... 290/1 R  
2006/0145550 A1 \* 7/2006 Yamamoto et al. .... 310/89  
2008/0185801 A1 8/2008 Gravlin et al.

OTHER PUBLICATIONS

A 2010 norwall.com website excerpt depicting a Generac QP55 Generator, dated Apr. 15, 2010 (1 page).

\* cited by examiner

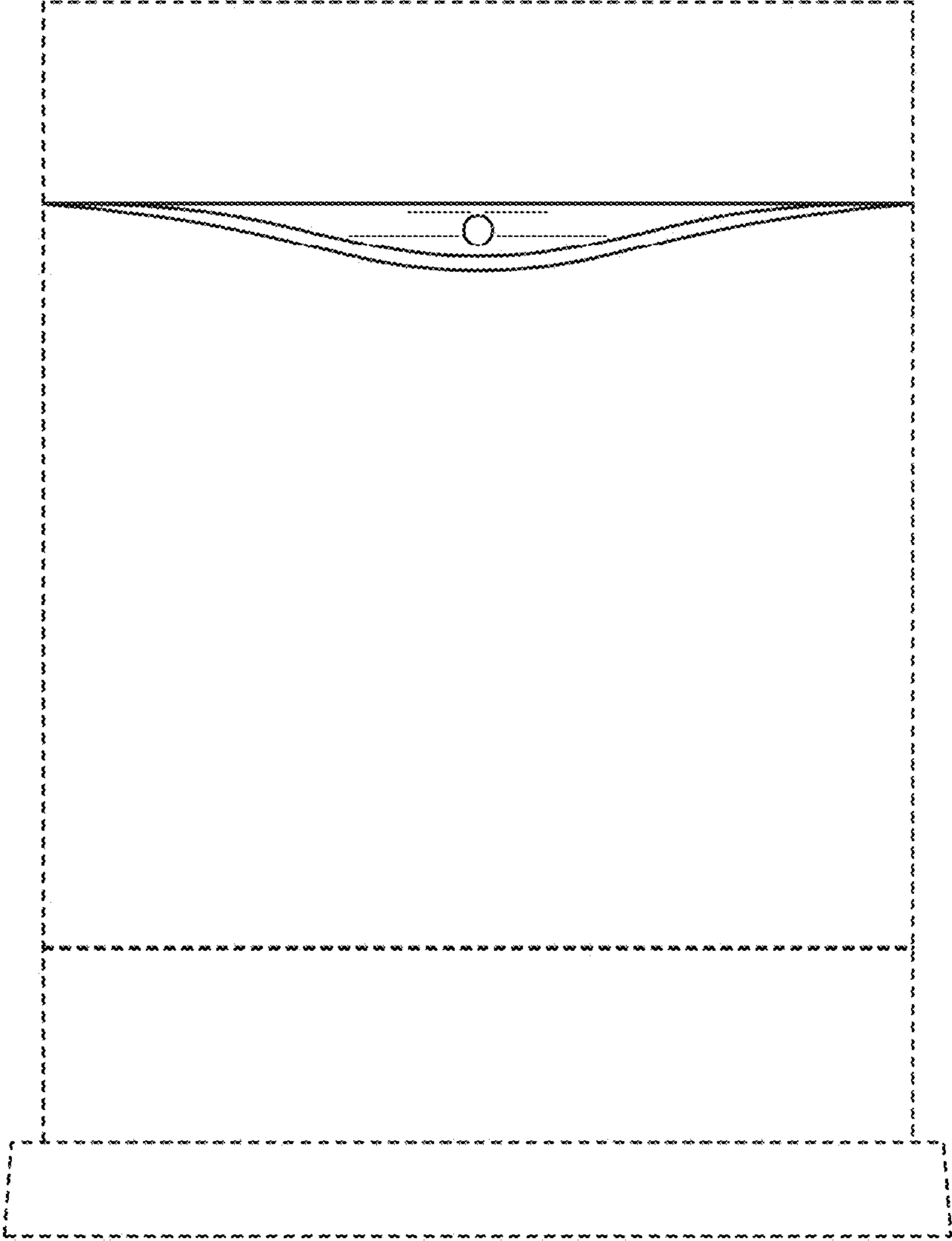


FIG. 1

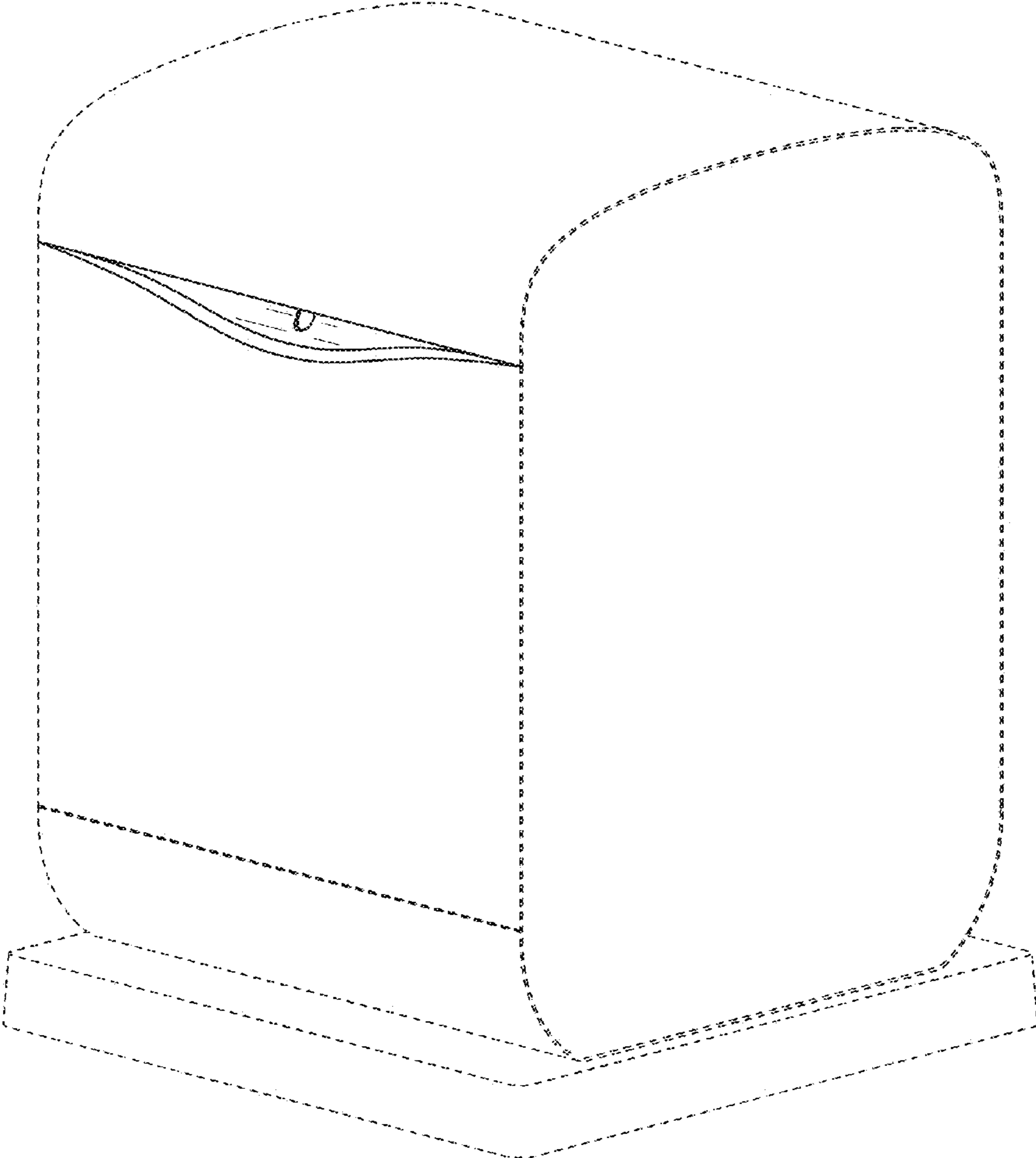


FIG. 2