



US00D751971S

(12) **United States Design Patent**
Patel et al.

(10) **Patent No.:** **US D751,971 S**
(45) **Date of Patent:** **** Mar. 22, 2016**

(54) **RACK MOUNTABLE LOAD CARRIER**

D646,621 S * 10/2011 Mulanon D12/406

(71) Applicant: **Thule Sweden AB**, Hillerstorp (SE)

* cited by examiner

(72) Inventors: **Ash Patel**, Newtown, CT (US); **Henrik Eriksson**, Jönköping (SE)

Primary Examiner — Katrina A Betton

(74) *Attorney, Agent, or Firm* — Sterne, Kessler, Goldstein & Fox P.L.L.C.

(73) Assignee: **Thule Sweden AB**, Hillerstorp (SE)

(**) Term: **14 Years**

(57) **CLAIM**

We claim the ornamental design for a rack mountable load carrier, as shown and described.

(21) Appl. No.: **29/498,564**

DESCRIPTION

(22) Filed: **Aug. 5, 2014**

(51) **LOC (10) Cl.** **12-16**

(52) **U.S. Cl.**
USPC **D12/406**

(58) **Field of Classification Search**
USPC D12/401–414; D6/610–611
CPC B60R 9/00; B60R 9/02; B60R 9/04;
B60R 9/08; B60R 9/042; B60R 9/0423;
B60R 9/045; B60R 9/048; B60R 9/05; B60R
9/052; B60R 9/058; B60R 9/065; B60R 9/10;
B60R 9/12

See application file for complete search history.

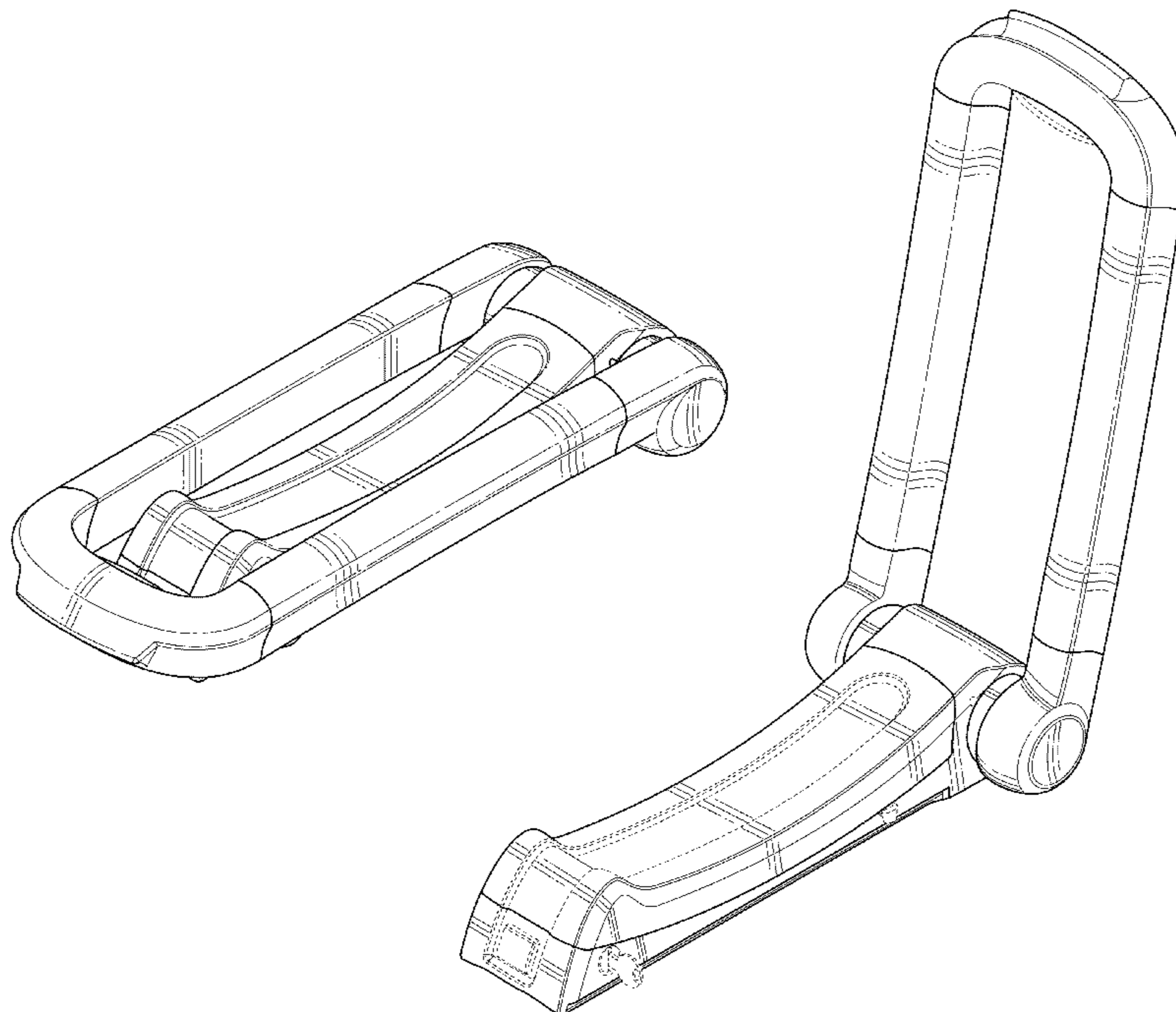
FIG. 1 is a perspective view of a rack mountable load carrier in a closed configuration;
FIG. 2 is an alternate perspective view thereof;
FIG. 3 is a front elevational view thereof;
FIG. 4 is a rear elevational view thereof;
FIG. 5 is a right side elevational view thereof;
FIG. 6 is a left side elevational view thereof;
FIG. 7 is a top plan view thereof; and
FIG. 8 is a bottom plan view thereof;
FIG. 9 is a perspective view of a rack mountable load carrier in an open configuration;
FIG. 10 is a front elevational view thereof;
FIG. 11 is a rear elevational view thereof;
FIG. 12 is a right side elevational view thereof;
FIG. 13 is a left side elevational view thereof;
FIG. 14 is a top plan view thereof; and
FIG. 15 is a bottom plan view thereof.
Broken lines illustrate unclaimed portions of the rack mountable load carrier; broken lines form no part of the claimed design.

(56) **References Cited**

U.S. PATENT DOCUMENTS

D371,107 S * 6/1996 Summers D12/406
D434,362 S * 11/2000 McCoy D12/406
D434,363 S * 11/2000 McCoy D12/406
D435,009 S * 12/2000 McCoy D12/406
D435,010 S * 12/2000 McCoy D12/406
D486,779 S * 2/2004 Alberti D12/406
D627,703 S * 11/2010 McLaughlin D12/406

1 Claim, 15 Drawing Sheets



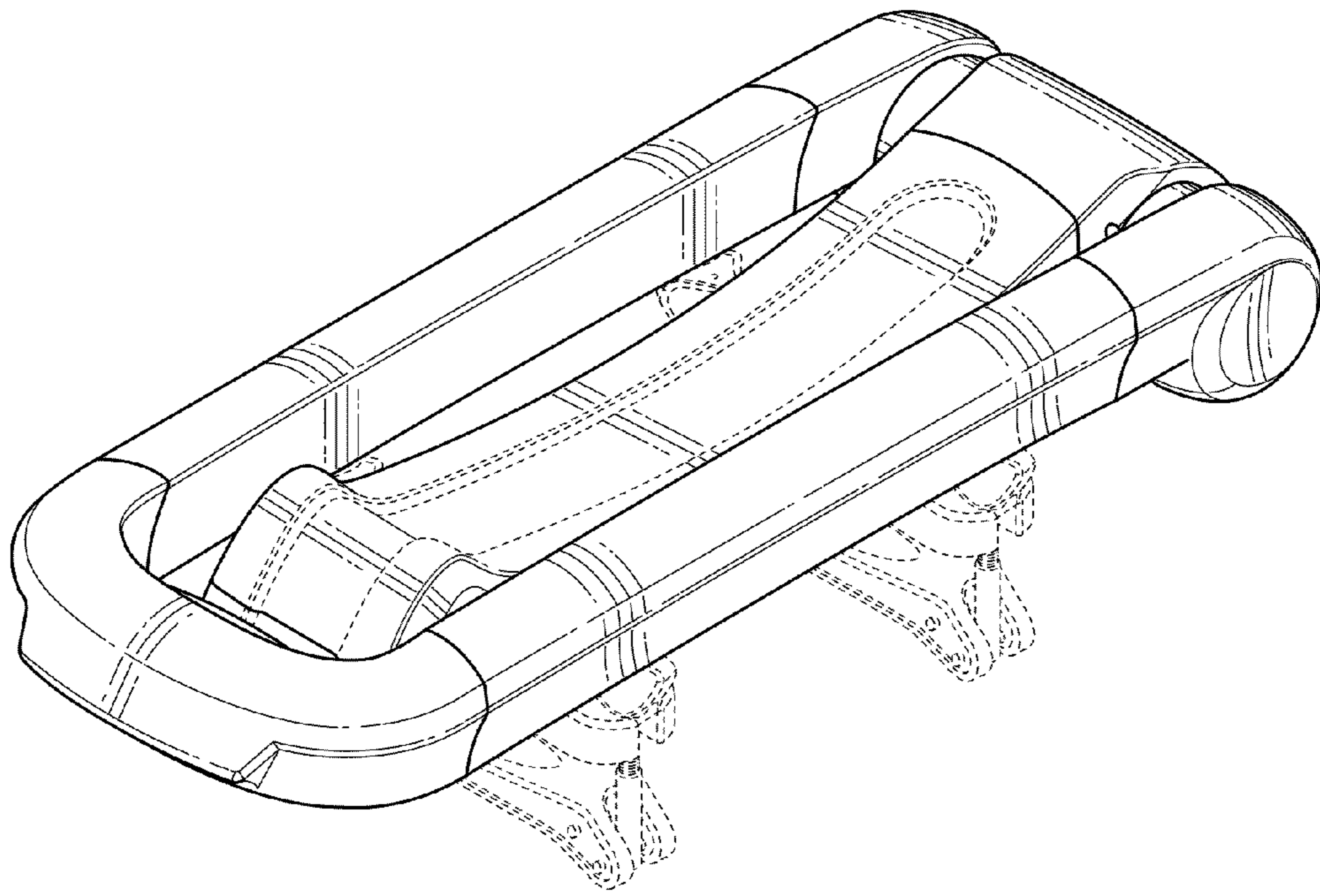


FIG. 1

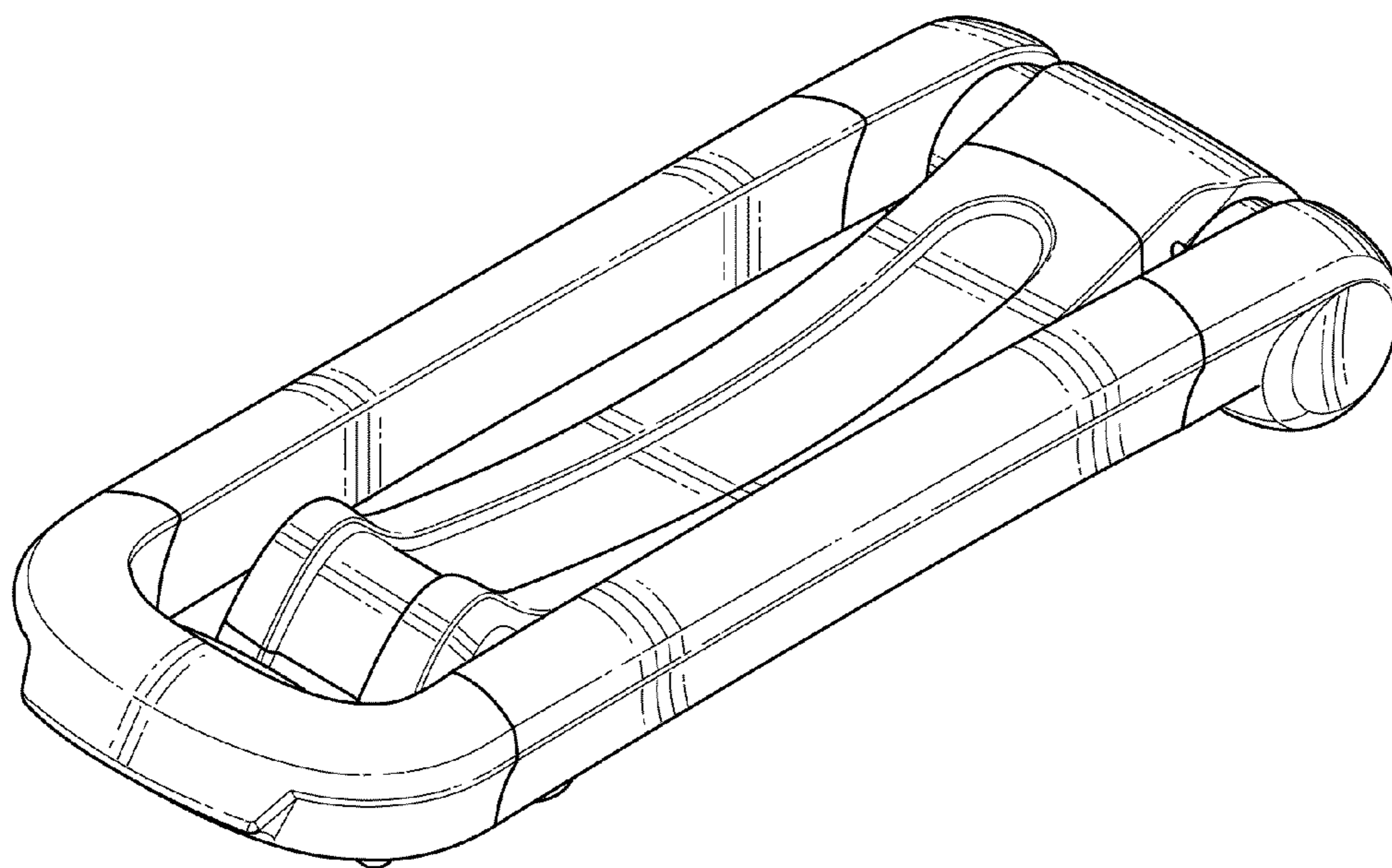


FIG. 2

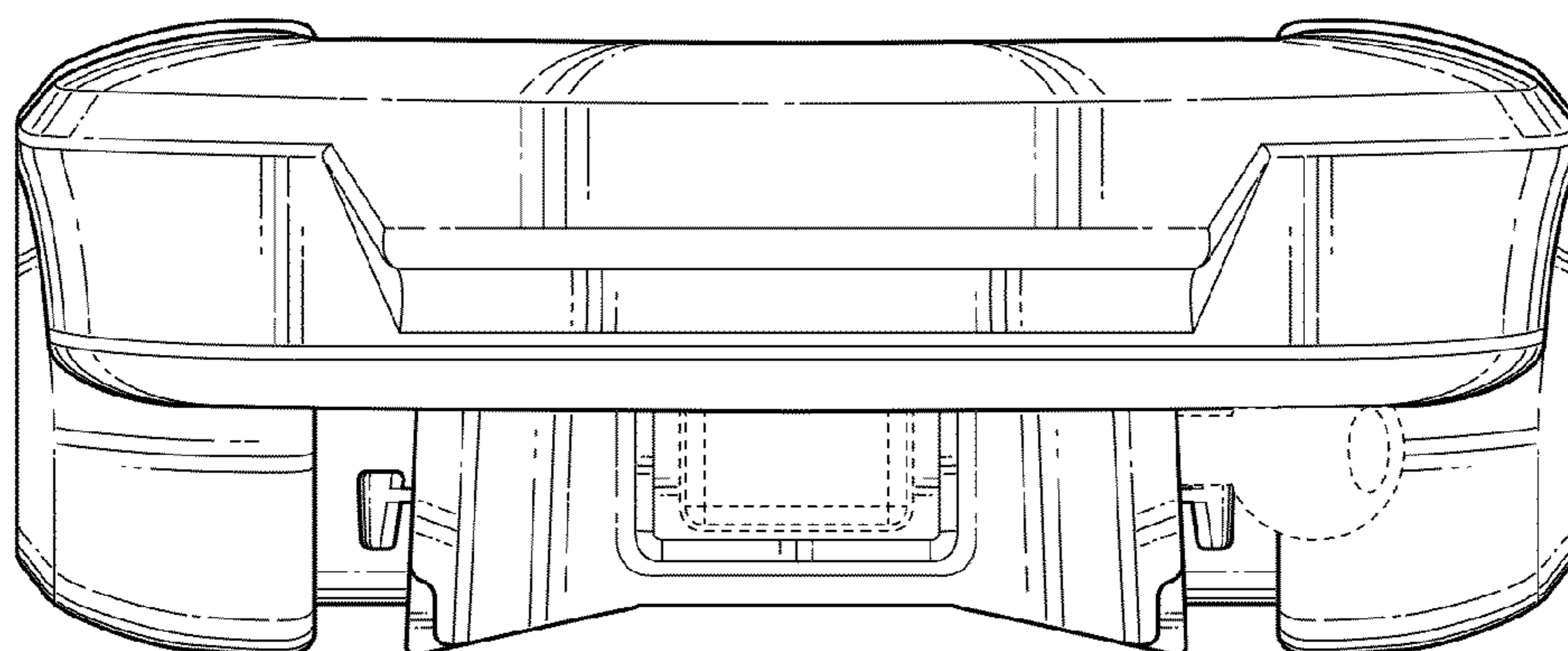


FIG. 3

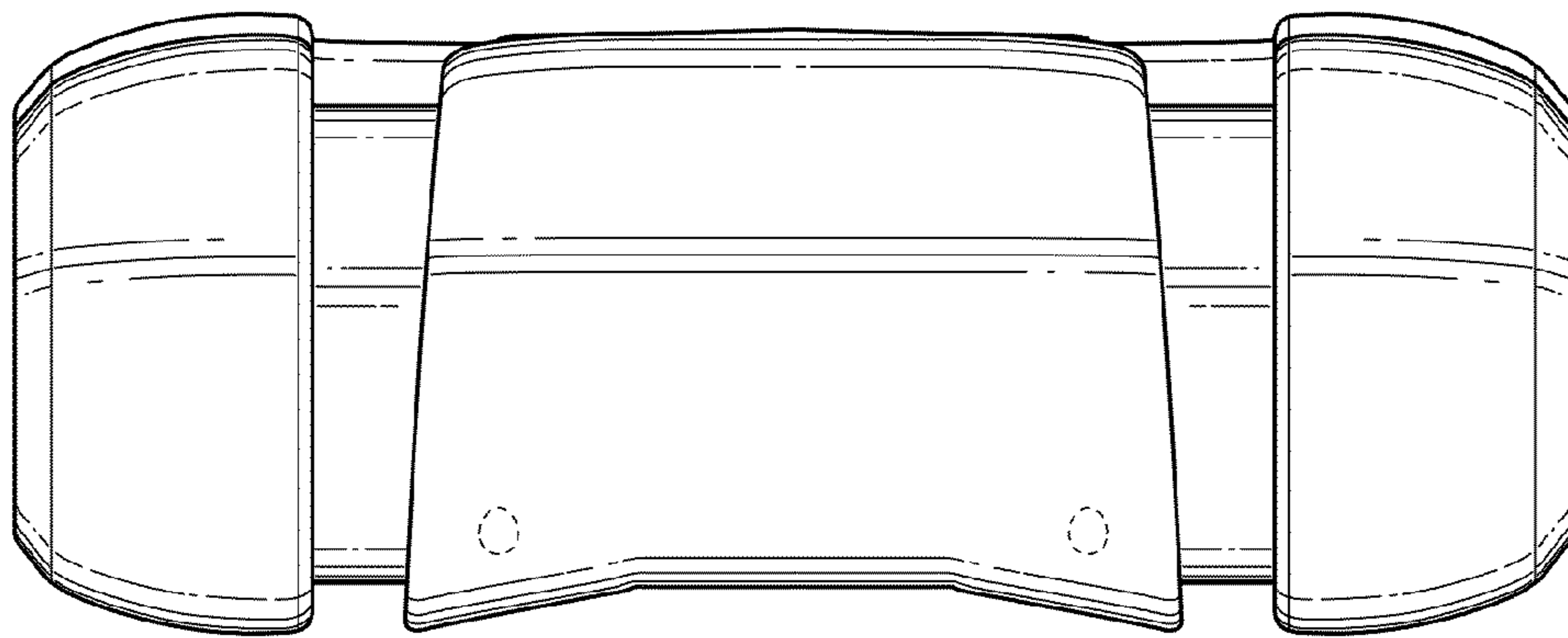


FIG. 4

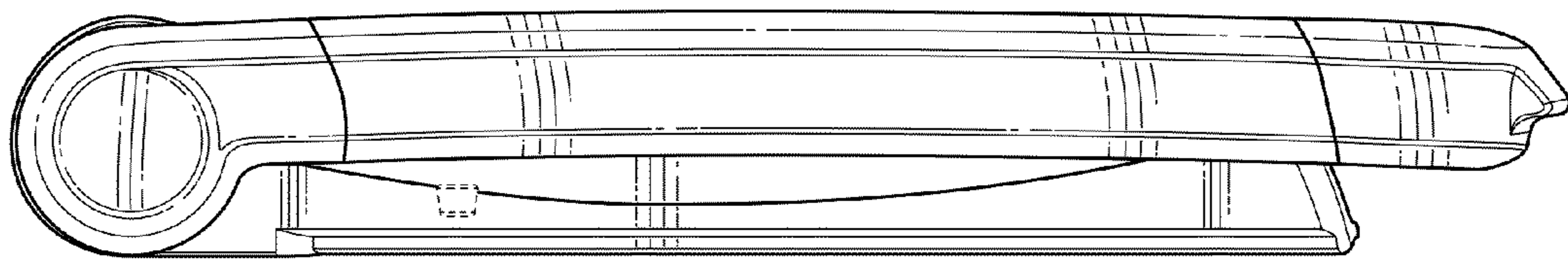


FIG. 5

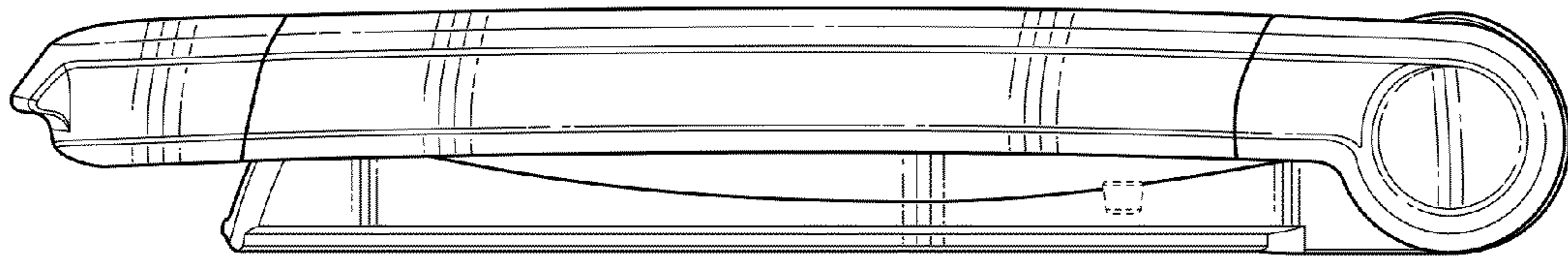


FIG. 6

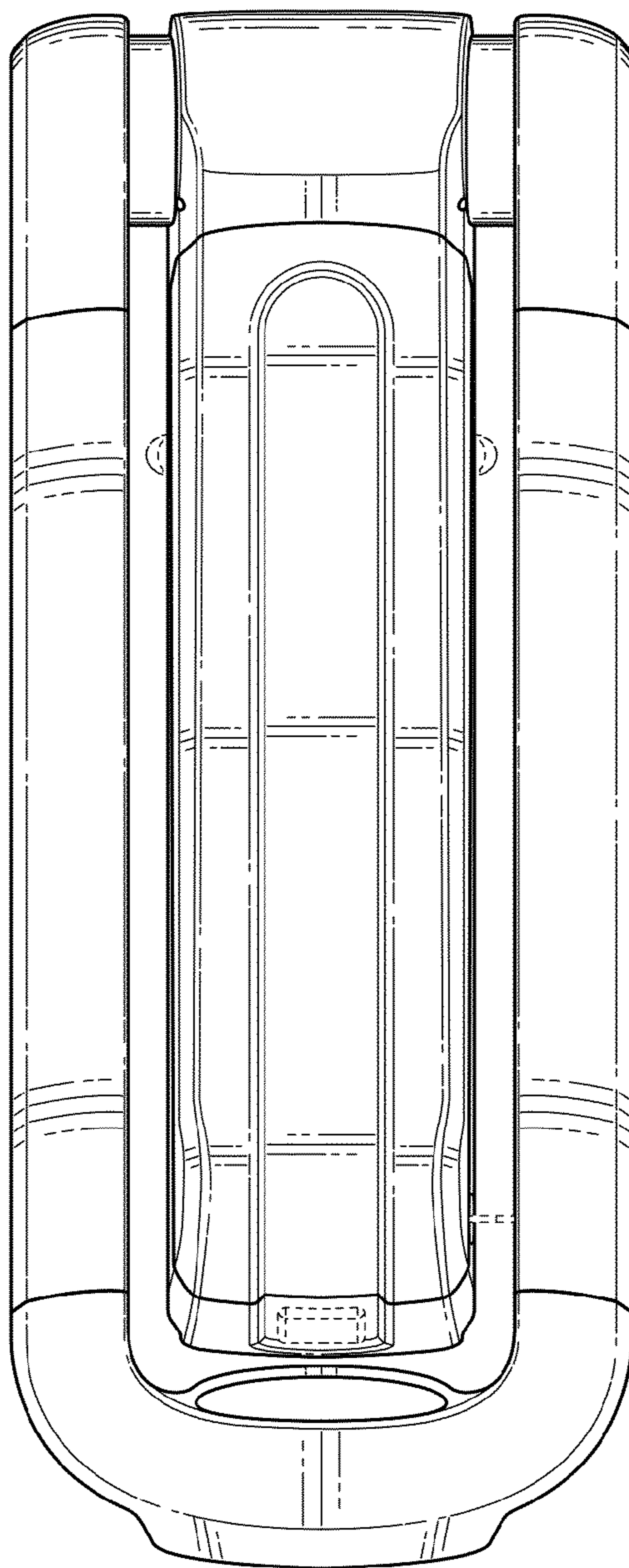


FIG. 7

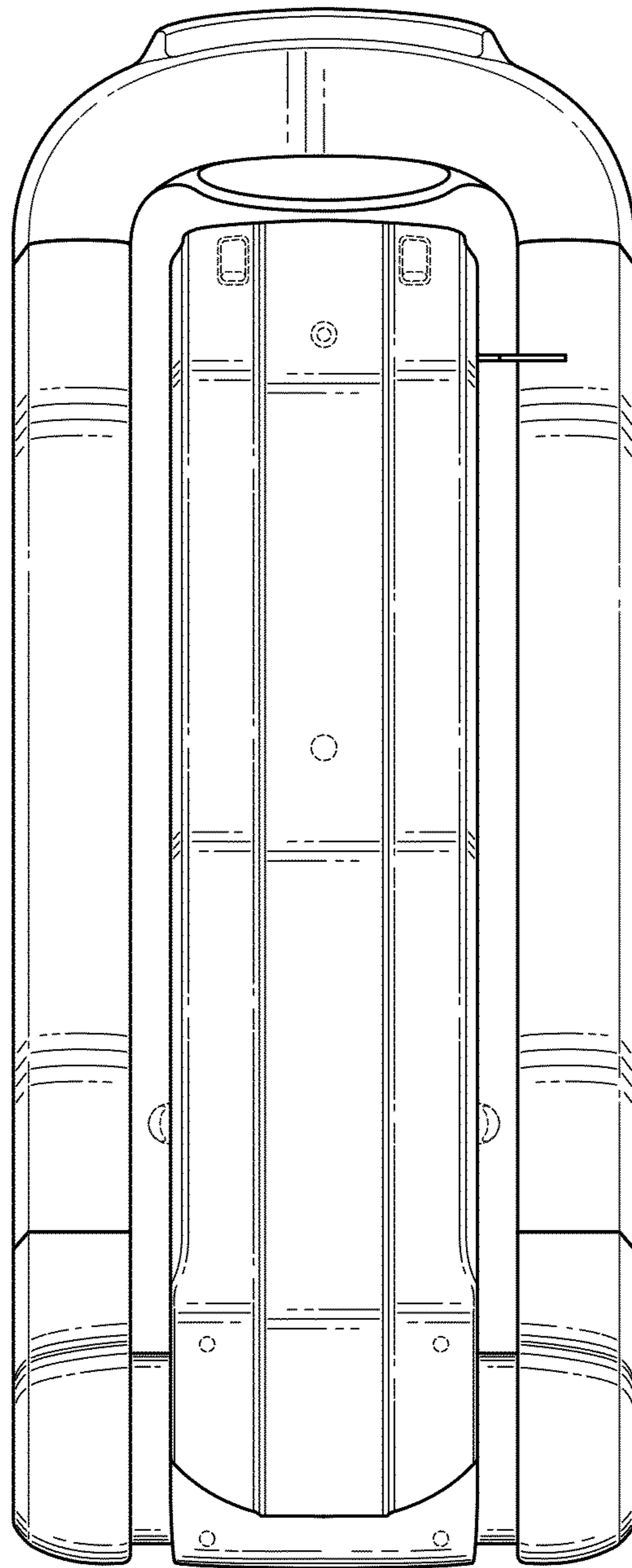


FIG. 8

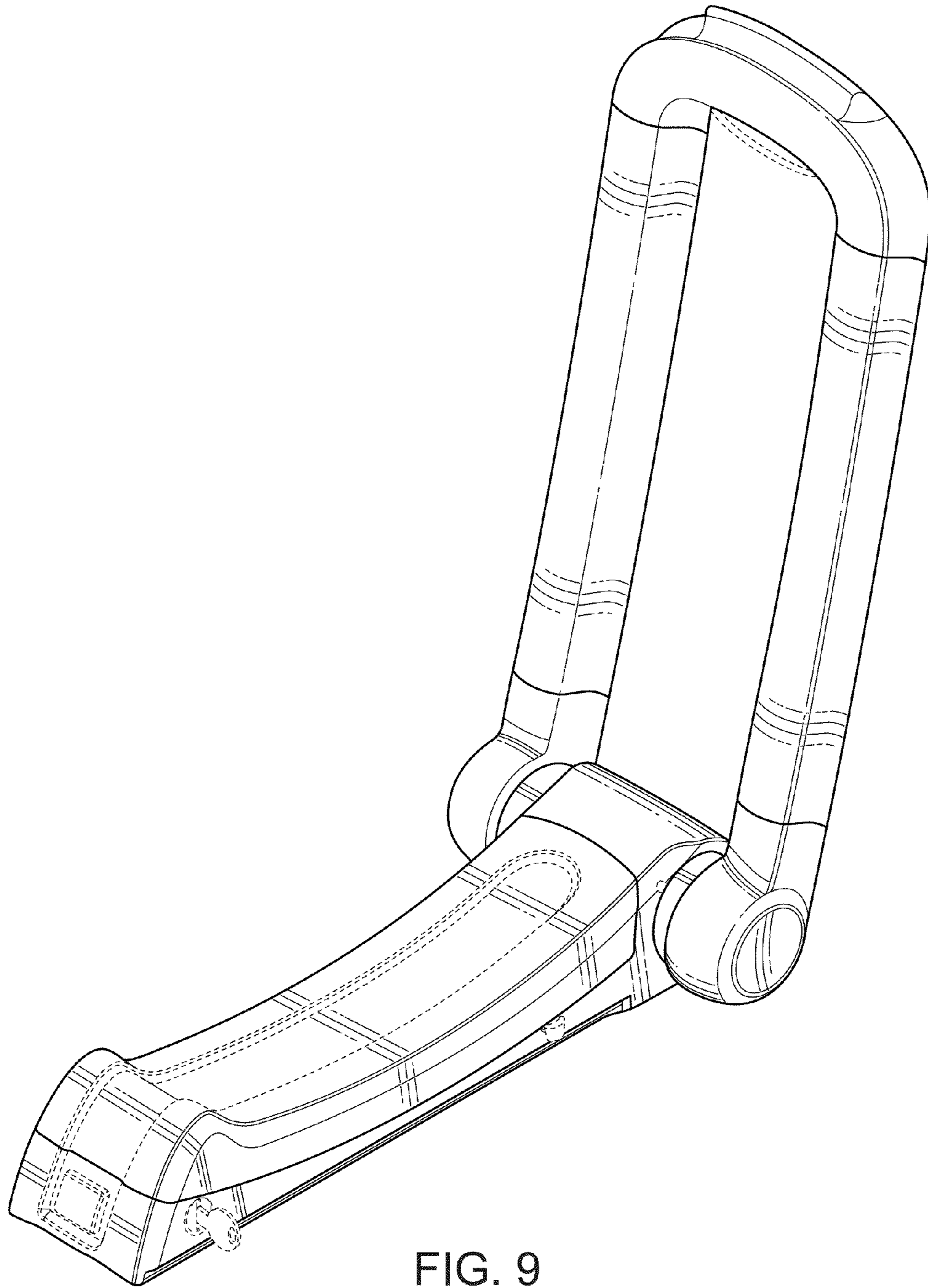


FIG. 9

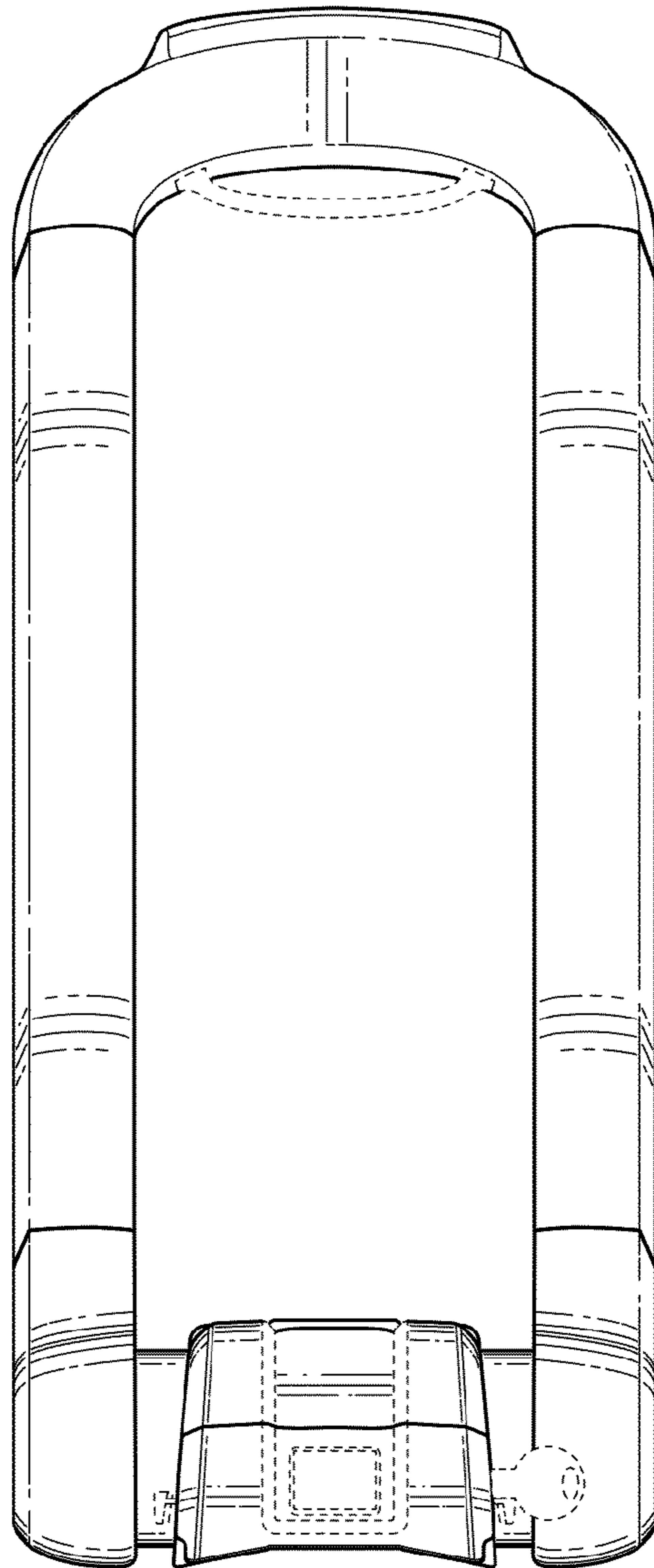


FIG. 10

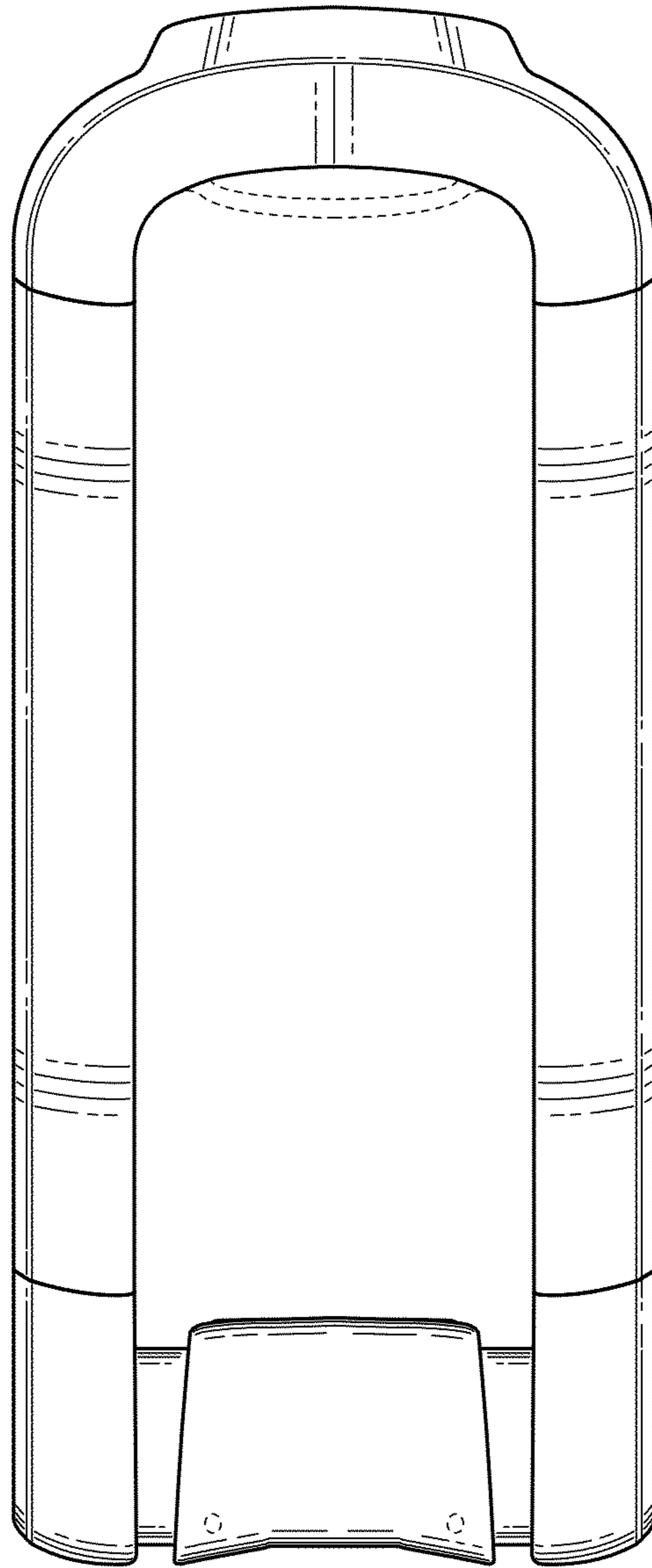


FIG. 11

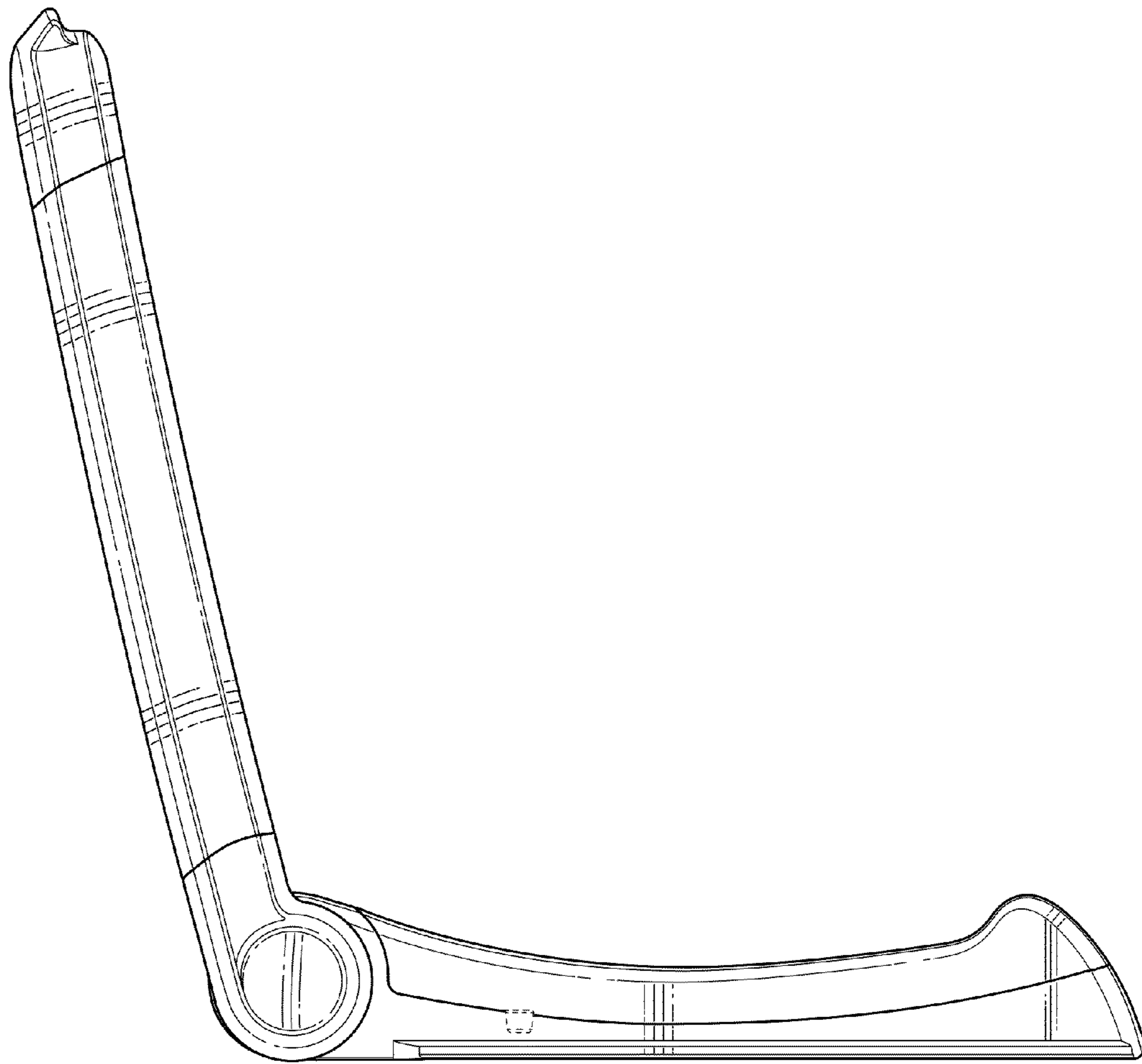


FIG. 12

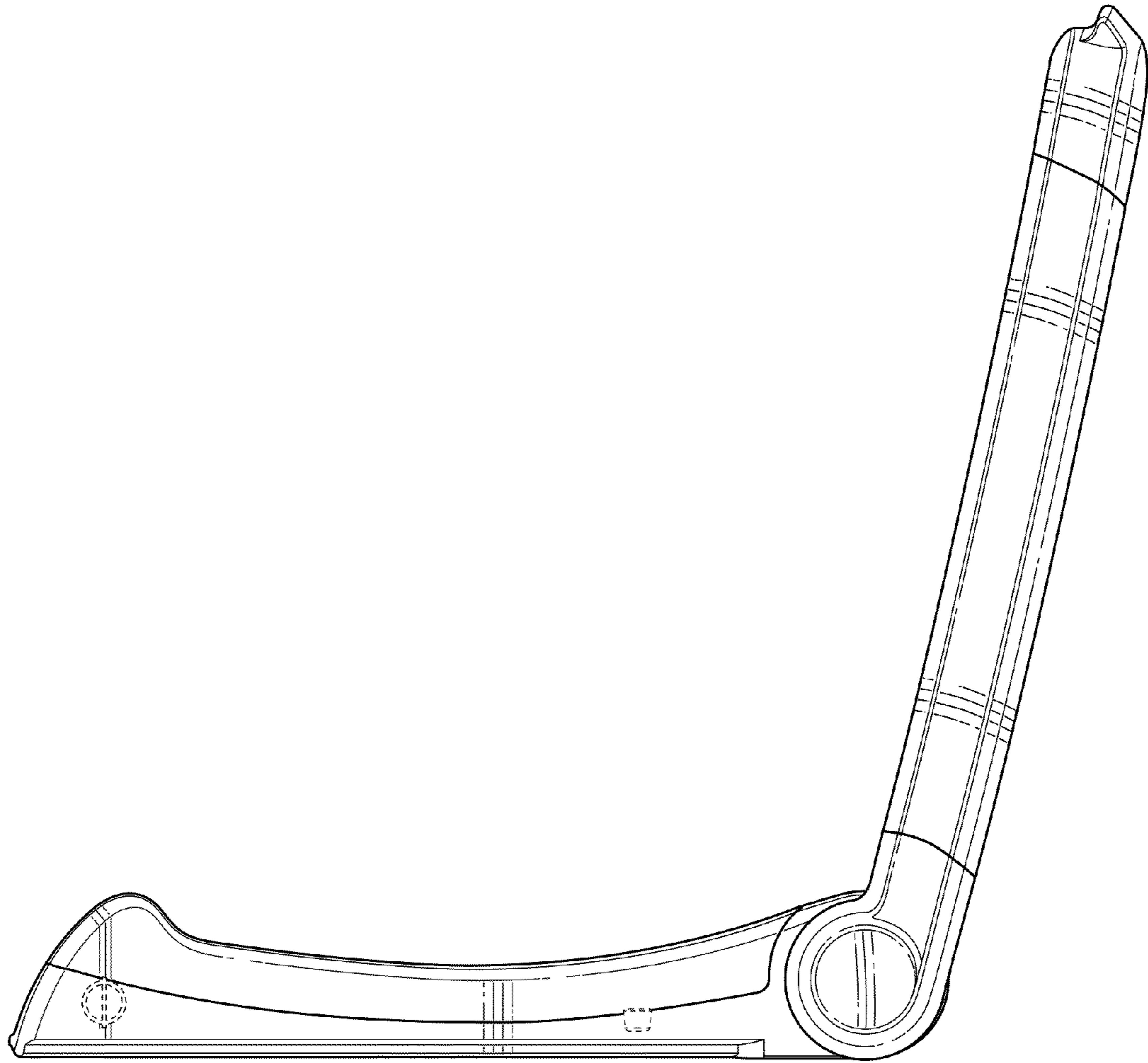


FIG. 13

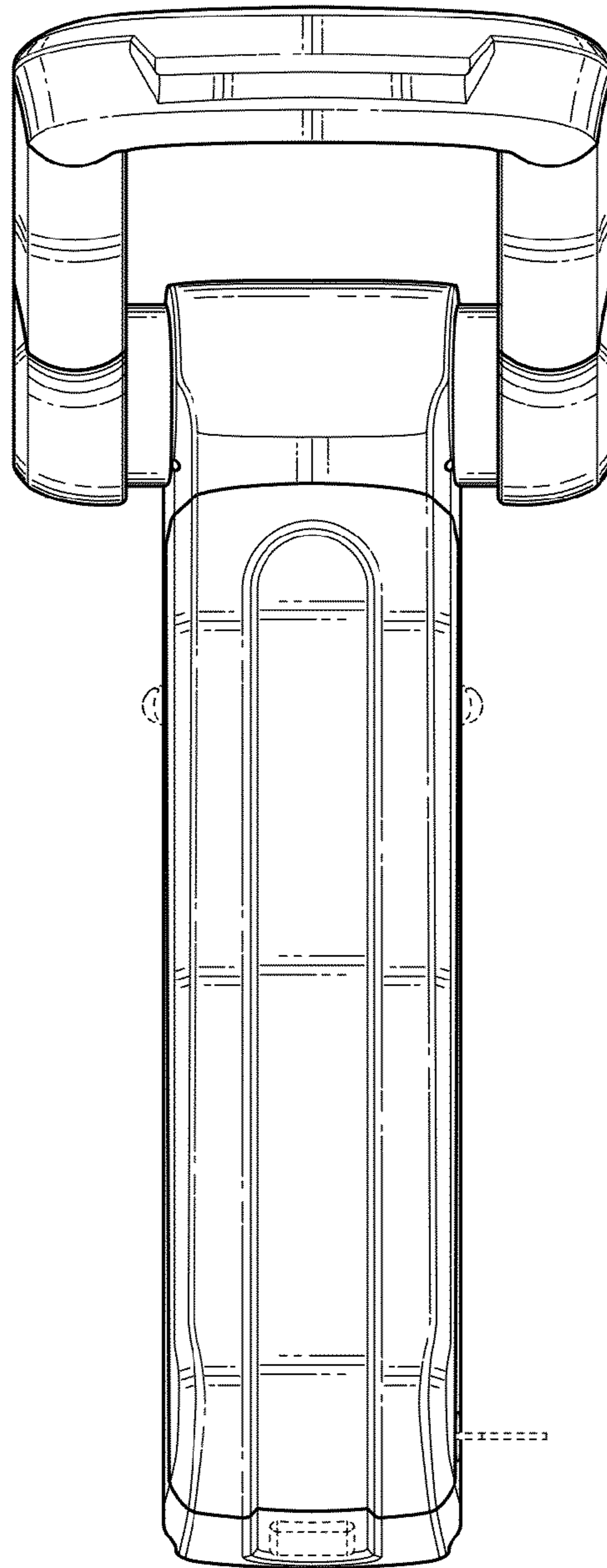


FIG. 14

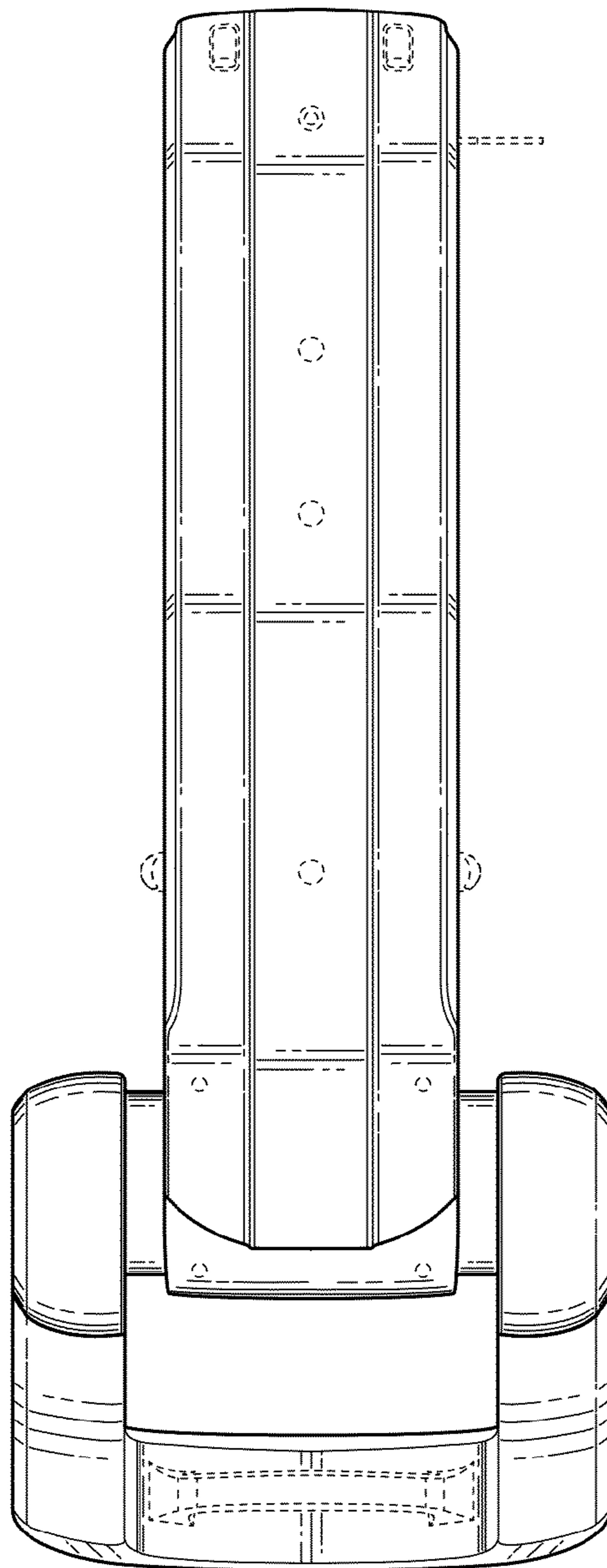


FIG. 15