



US00D751970S

(12) **United States Design Patent**
Scherl

(10) **Patent No.:** **US D751,970 S**
(45) **Date of Patent:** **** Mar. 22, 2016**

(54) **DRILLSHIP**

(71) Applicant: **FINCANTIERI S.p.A.**, Trieste (IT)

(72) Inventor: **Gianni Scherl**, Trieste (IT)

(73) Assignee: **Fincantieri S.p.A.**, Trieste (IT)

(**) Term: **14 Years**

(21) Appl. No.: **29/506,077**

(22) Filed: **Oct. 13, 2014**

(30) **Foreign Application Priority Data**

Apr. 24, 2014 (WO) 810408401

(51) **LOC (10) Cl.** **12-06**

(52) **U.S. Cl.**
USPC **D12/300**

(58) **Field of Classification Search**
USPC D12/300, 301, 304, 315, 317, 318;
D21/542, 543; 114/61.1, 61.31, 61.14,
114/72, 73, 258-262

CPC B63B 1/00; B63B 1/04; B63B 1/06;
B63B 1/08; B63B 1/10; B63B 1/38
See application file for complete search history.

(56) **References Cited**

U.S. PATENT DOCUMENTS

3,279,407 A * 10/1966 Stenger 114/280
3,872,814 A * 3/1975 Rodriguez 114/40

4,156,577 A * 5/1979 McMakin 114/265
4,550,673 A * 11/1985 Ingvason 114/61.28
D536,657 S * 2/2007 Rohden et al. D12/300
D714,714 S * 10/2014 Teige D12/317
D717,712 S * 11/2014 Teige D12/300
D720,279 S * 12/2014 van der Harst D12/315
2011/0036287 A1 * 2/2011 Wijning et al. 114/74 R
2011/0180266 A1 * 7/2011 Elmbo et al. 114/261
2013/0065461 A1 * 3/2013 Pearson et al. 440/1
2015/0060137 A1 * 3/2015 Deul et al. 114/65 R

* cited by examiner

Primary Examiner — Cynthia M Chin

(74) *Attorney, Agent, or Firm* — Thomas | Horstemeyer, LLP

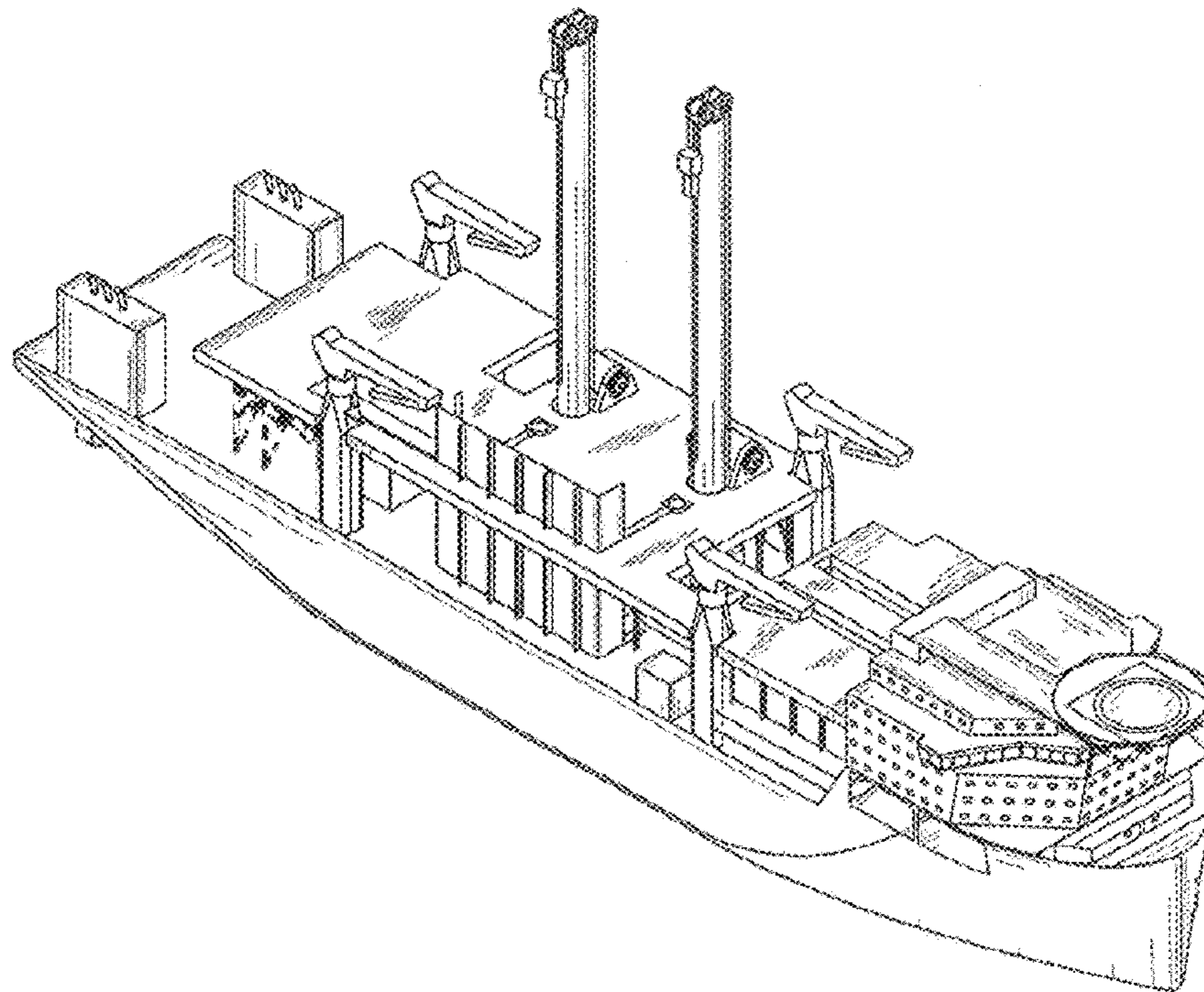
(57) **CLAIM**

The ornamental design for a drillship, as shown and described.

DESCRIPTION

FIG. 1 is a perspective view of my new drillship;
FIG. 2 is a side elevational view of my new drillship of FIG. 1;
FIG. 3 is a side elevational view of my new drillship from the side opposite that of FIG. 2;
FIG. 4 is an end view of my new drillship of FIG. 1;
FIG. 5 is an end view of my new drillship from the end opposite that of FIG. 4;
FIG. 6 is a top plan view of my new drillship of FIG. 1; and,
FIG. 7 is a bottom plan view of my new drillship of FIG. 1.
The broken lines represent portions of the article that form no part of the claim.

1 Claim, 7 Drawing Sheets



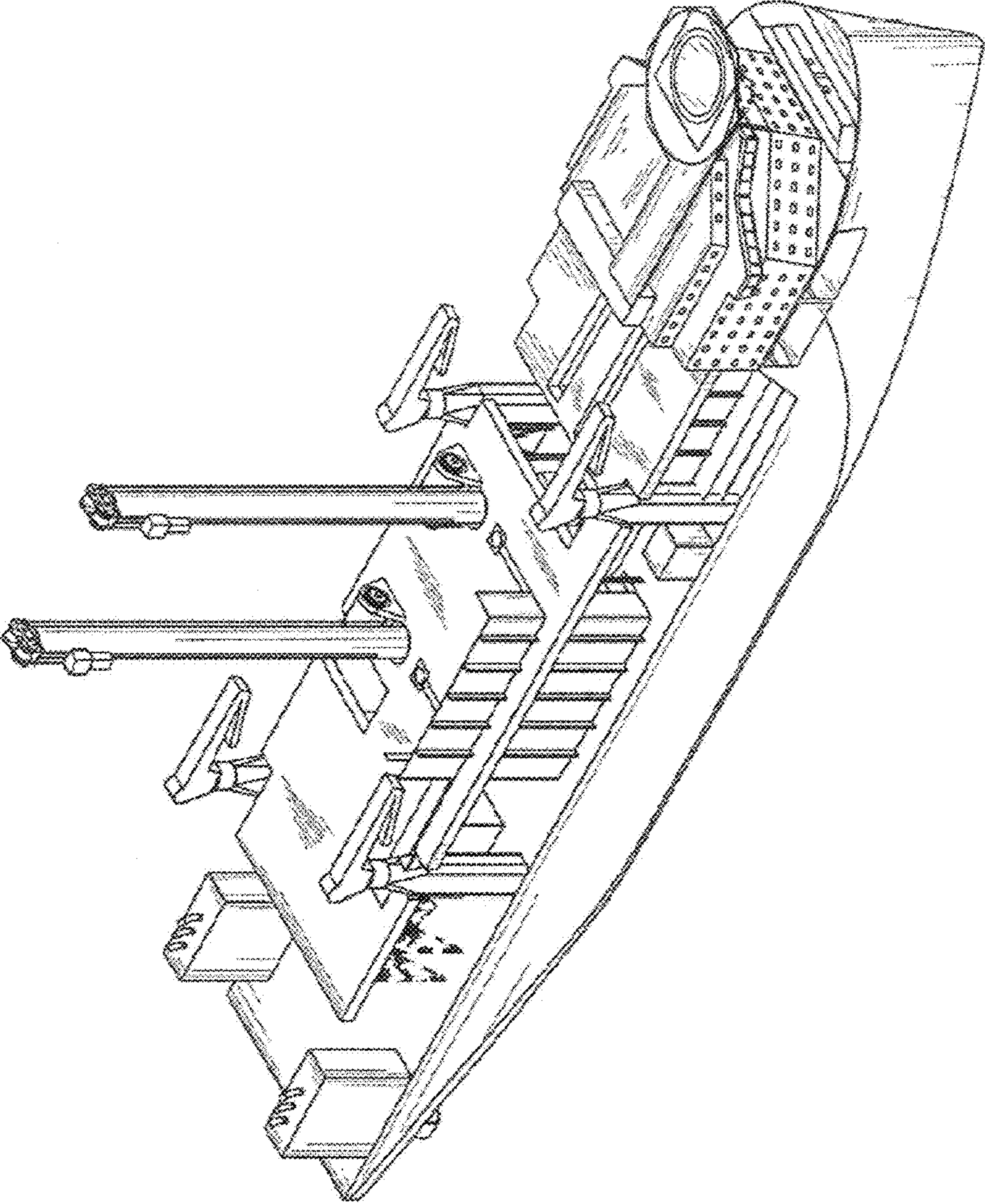


FIG. 1

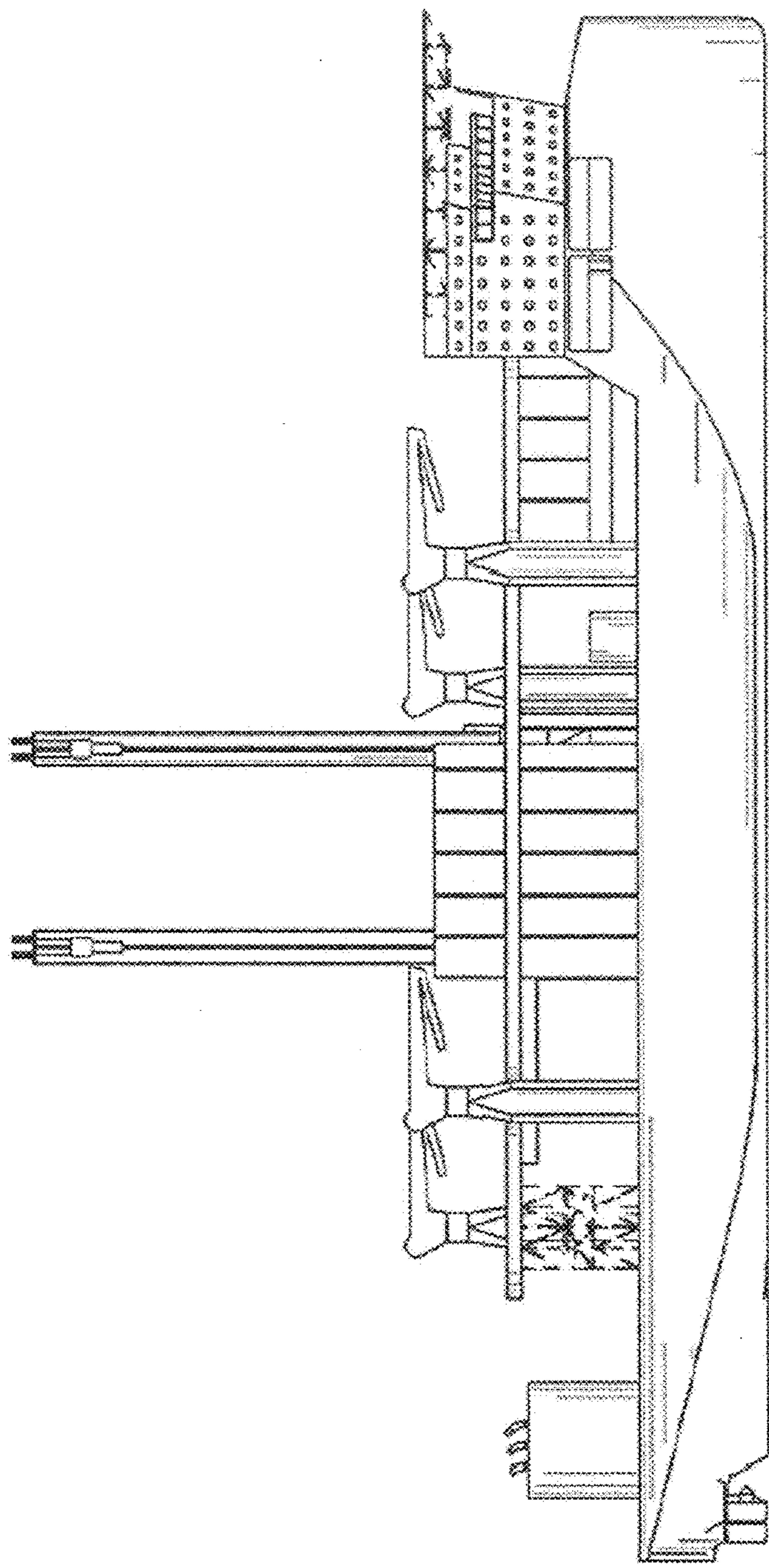


FIG. 2

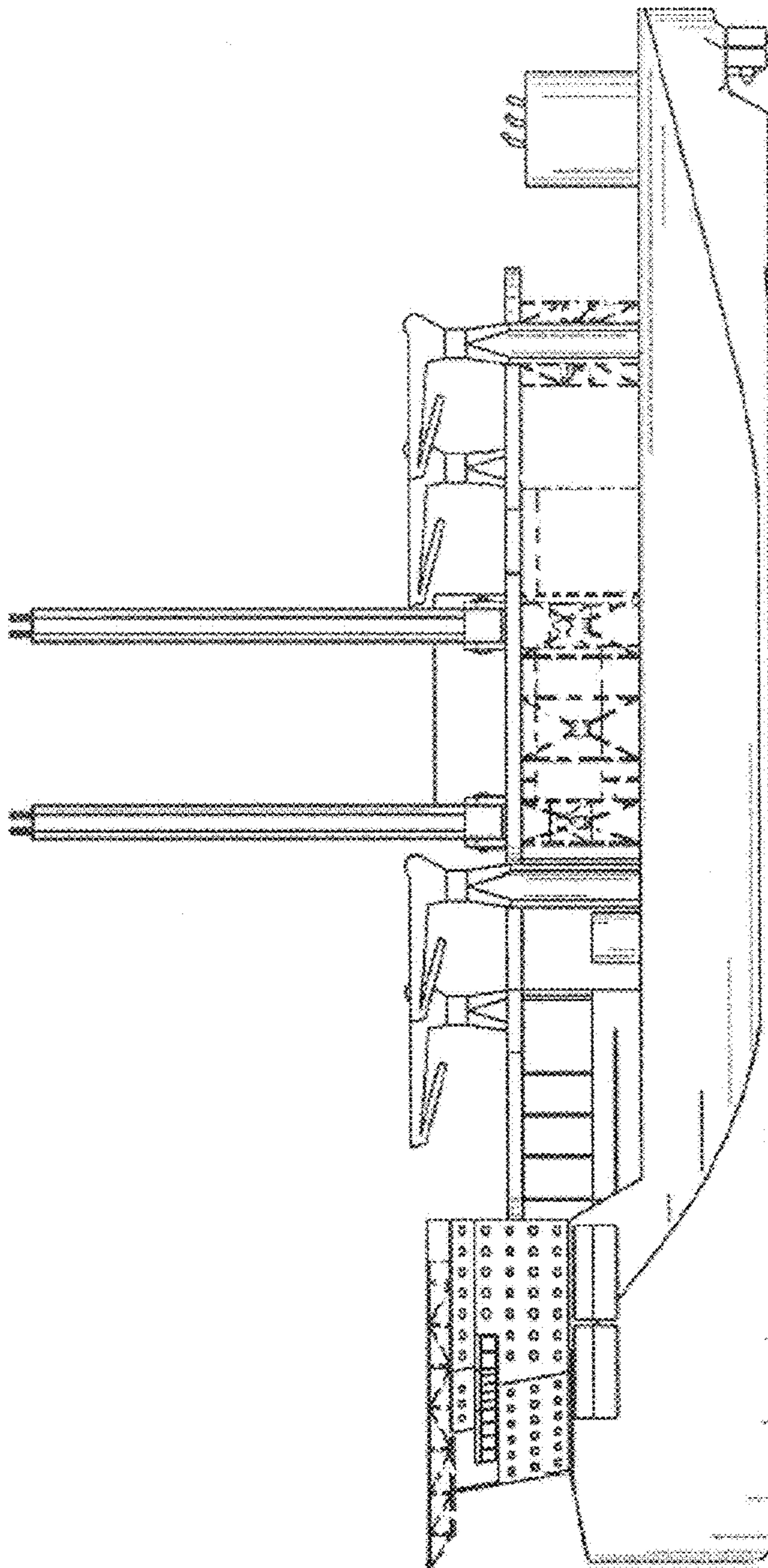


FIG. 3

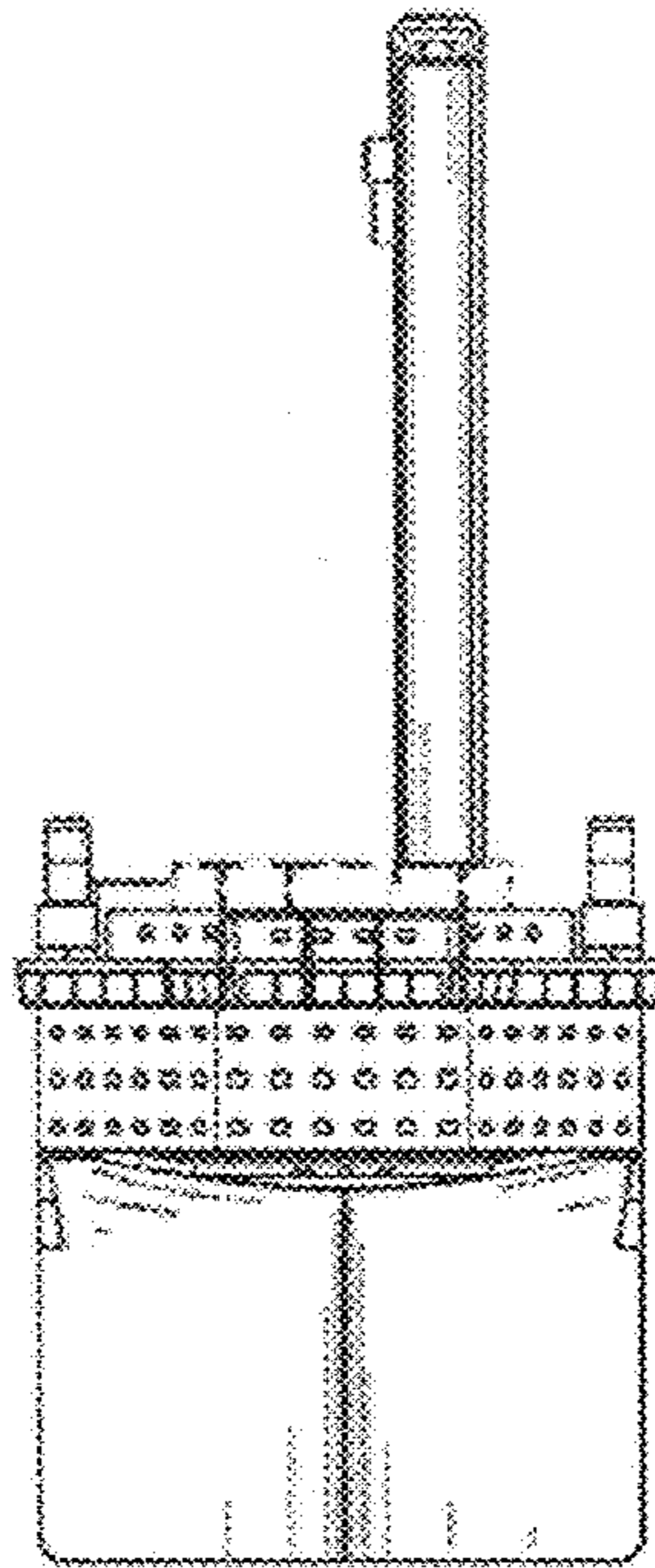


FIG. 4

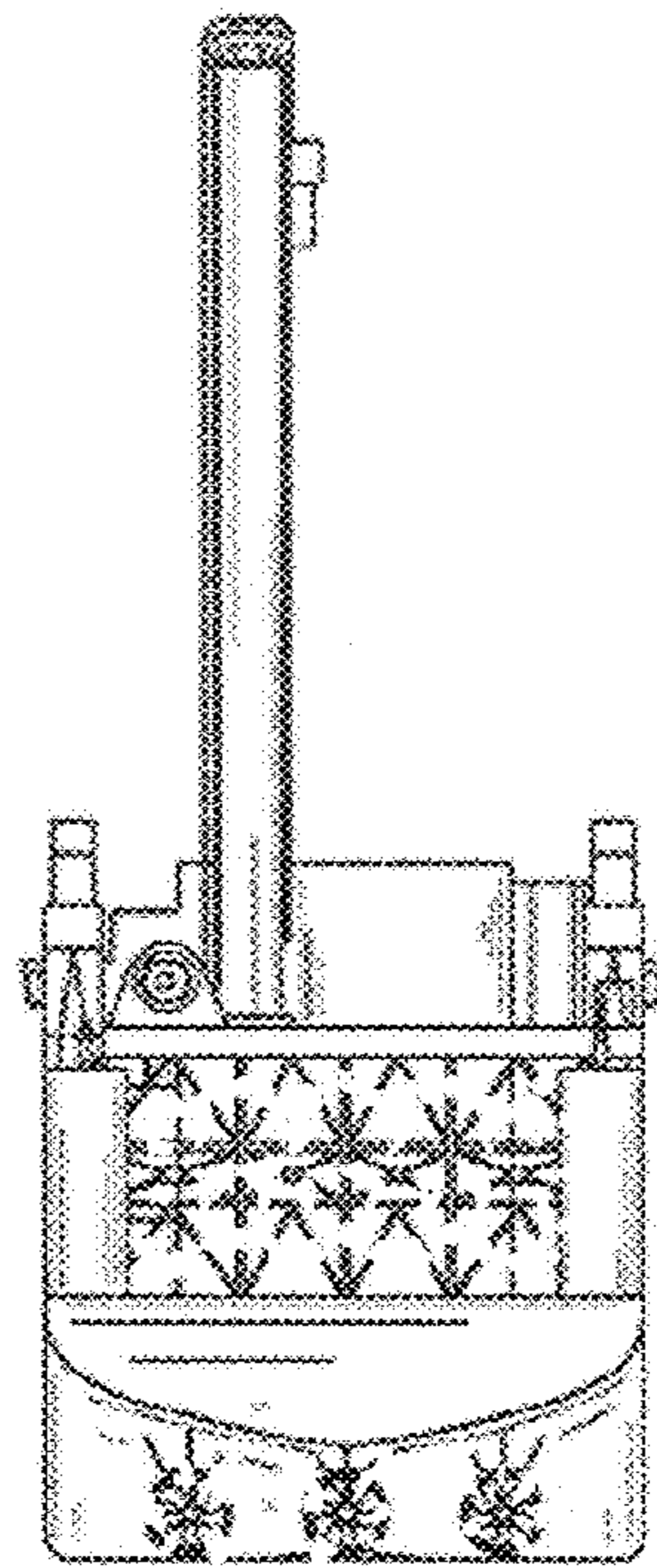


FIG. 5

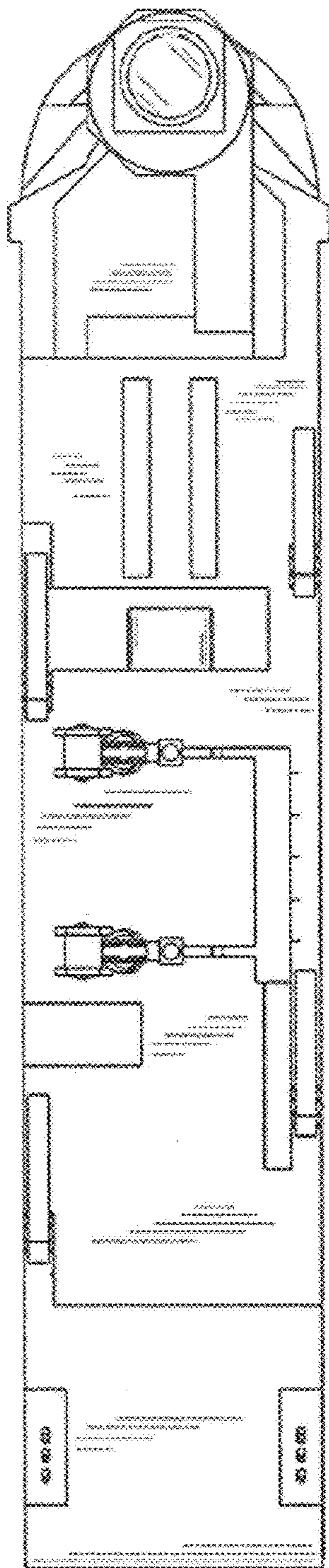


FIG. 6

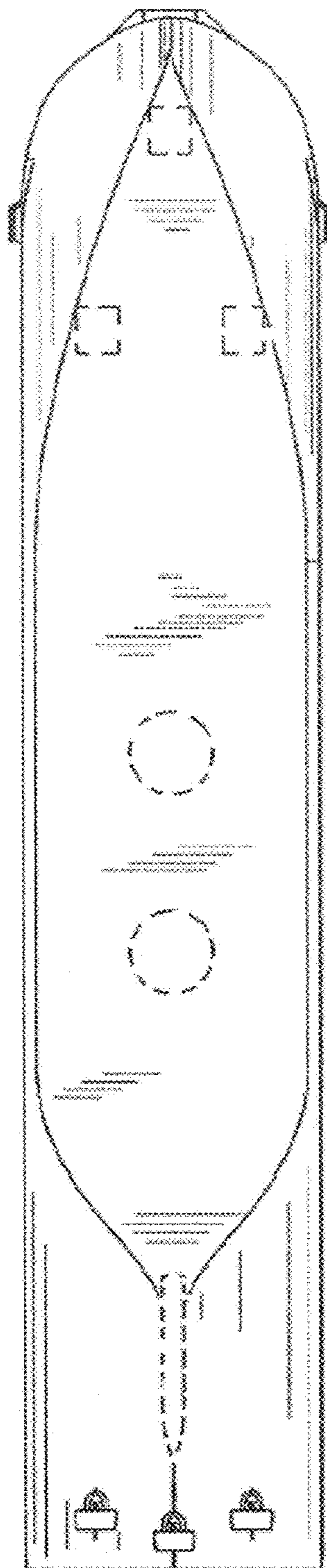


FIG. 7