



US00D751969S

(12) **United States Design Patent**  
**Yamamoto**

(10) **Patent No.:** **US D751,969 S**  
(45) **Date of Patent:** **\*\* Mar. 22, 2016**

(54) **BOAT**

(56) **References Cited**

(71) Applicant: **Yamaha Hatsudoki Kabushiki Kaisha,**  
Shizuoka-ken (JP)

(72) Inventor: **Hisashi Yamamoto,** Kyoto-fu (JP)

(73) Assignee: **YAMAHA HATSUDOKI**  
**KABUSHIKI KAISHA (JP)**

(\*\*) Term: **14 Years**

(21) Appl. No.: **29/498,176**

(22) Filed: **Jul. 31, 2014**

(51) **LOC (10) Cl.** ..... **12-06**

(52) **U.S. Cl.**  
USPC ..... **D12/300**

(58) **Field of Classification Search**  
USPC ..... D12/300, 302, 303, 304, 307, 310-314,  
D12/316, 317; 114/39.11-39.15,  
114/39.21-39.32, 61.1, 61.2, 61.32, 61.33,  
114/62, 355-358, 271, 273, 283, 288-292,  
114/343, 363; 440/27, 35  
CPC ..... B63B 17/00; B63B 17/02; B63B 35/81;  
B63B 35/816; B62B 21/04

See application file for complete search history.

U.S. PATENT DOCUMENTS

D349,878	S	*	8/1994	Wenstadt et al.	.....	D12/313
D395,273	S	*	6/1998	Maki et al.	.....	D12/314
D400,844	S	*	11/1998	Lapointe et al.	.....	D12/307
D482,648	S	*	11/2003	Eck et al.	.....	D12/300
6,925,957	B2	*	8/2005	Schultz	.....	114/364
D632,631	S	*	2/2011	Quirin et al.	.....	D12/300
D679,236	S	*	4/2013	Gros et al.	.....	D12/300
D691,546	S	*	10/2013	Yamamoto	.....	D12/300
D692,365	B2	*	10/2013	Yamamoto	.....	D12/300
8,555,802	B2	*	10/2013	Oswell et al.	.....	114/364
2003/0183150	A1	*	10/2003	Eck et al.	.....	114/363

\* cited by examiner

*Primary Examiner* — Cynthia M Chin

(74) *Attorney, Agent, or Firm* — Ostrolenk Faber LLP

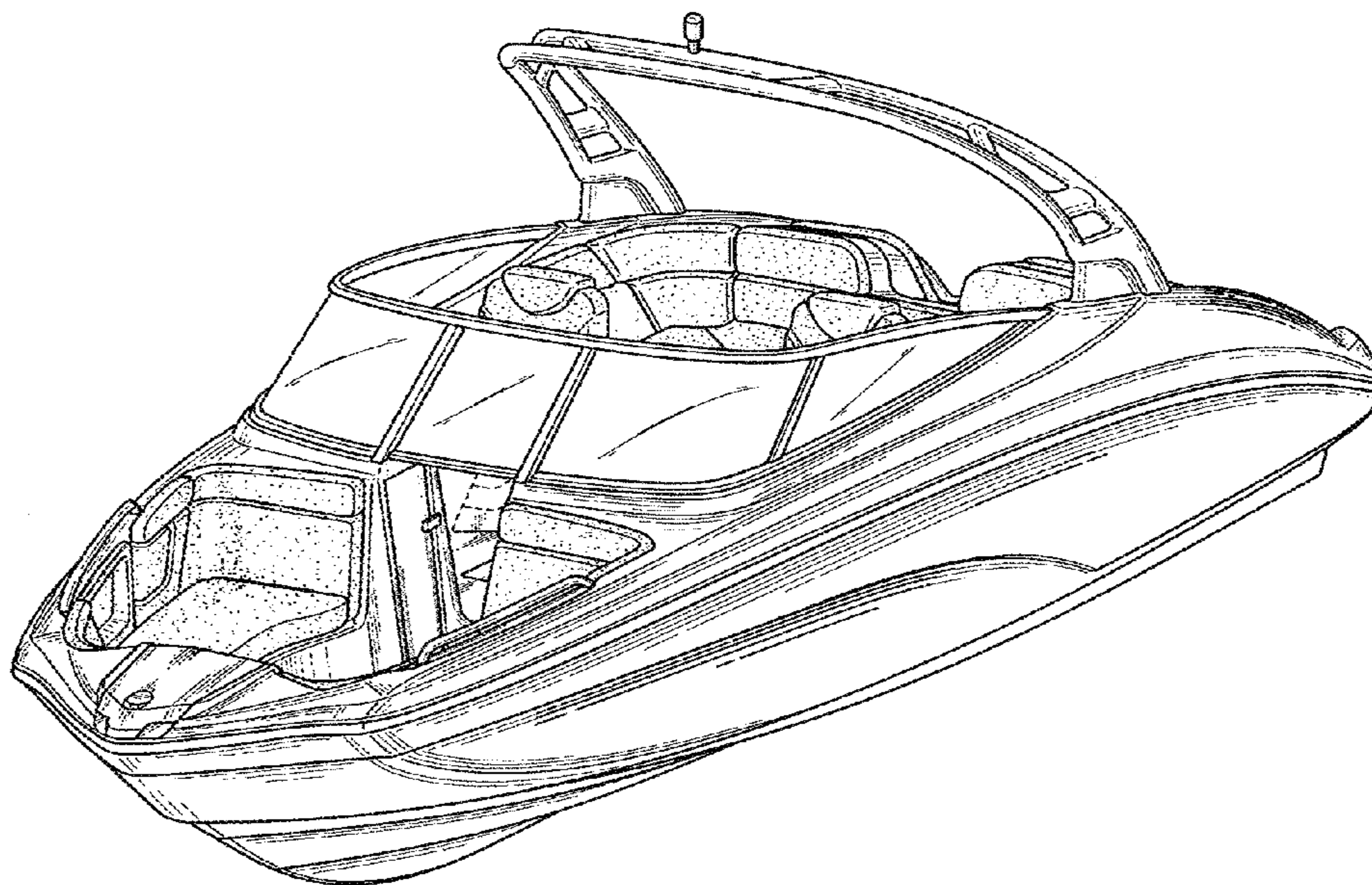
(57) **CLAIM**

The ornamental design for a boat, as shown and described.

**DESCRIPTION**

FIG. 1 is a perspective view of a boat;  
FIG. 2 is a front view thereof;  
FIG. 3 is a rear view thereof;  
FIG. 4 is a left side view thereof;  
FIG. 5 is a right side view thereof;  
FIG. 6 is a top view thereof; and,  
FIG. 7 is a bottom view thereof.  
The broken lines represent portions of the article that form no part of the claim.

**1 Claim, 7 Drawing Sheets**



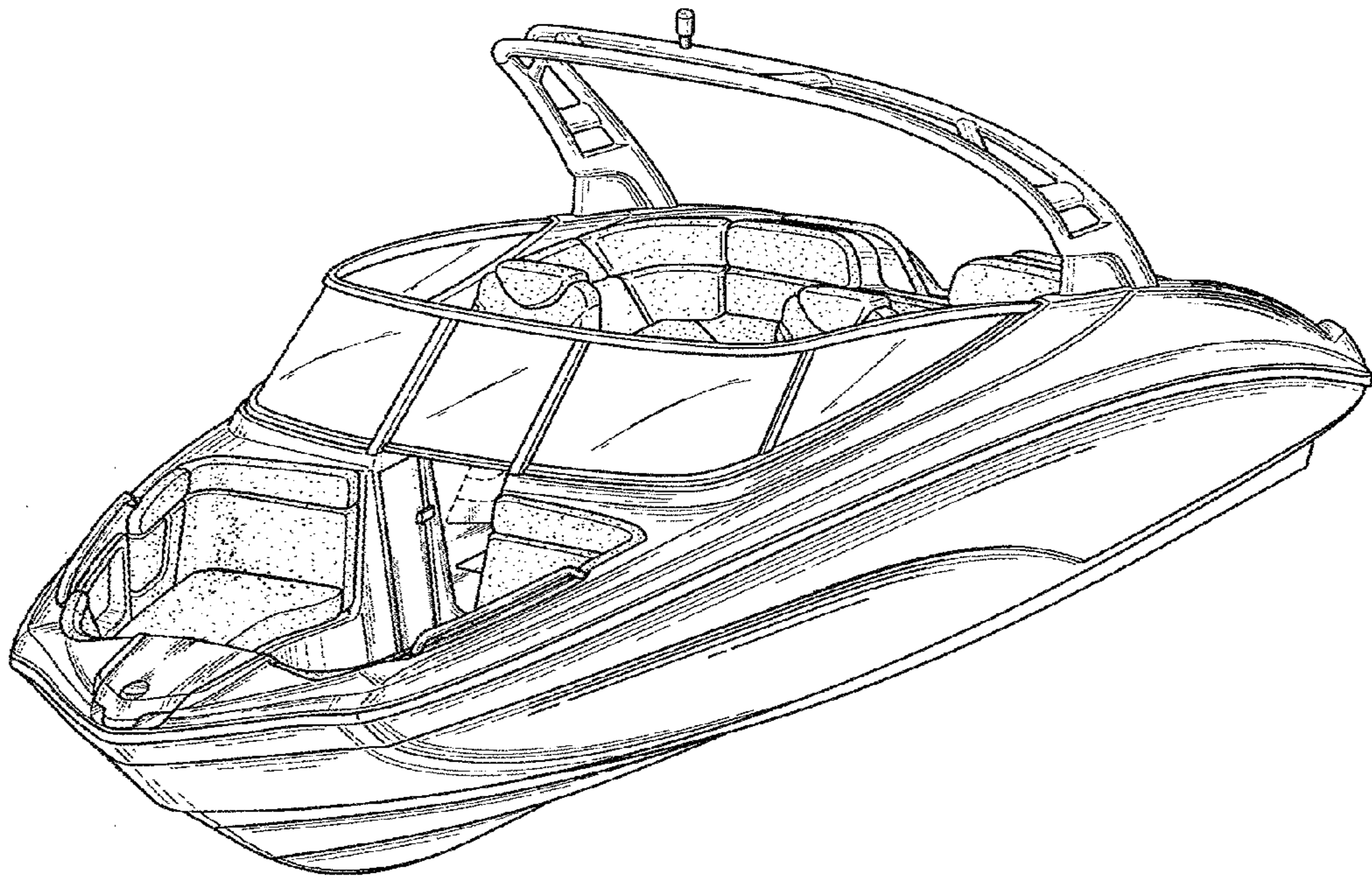


FIG. 1

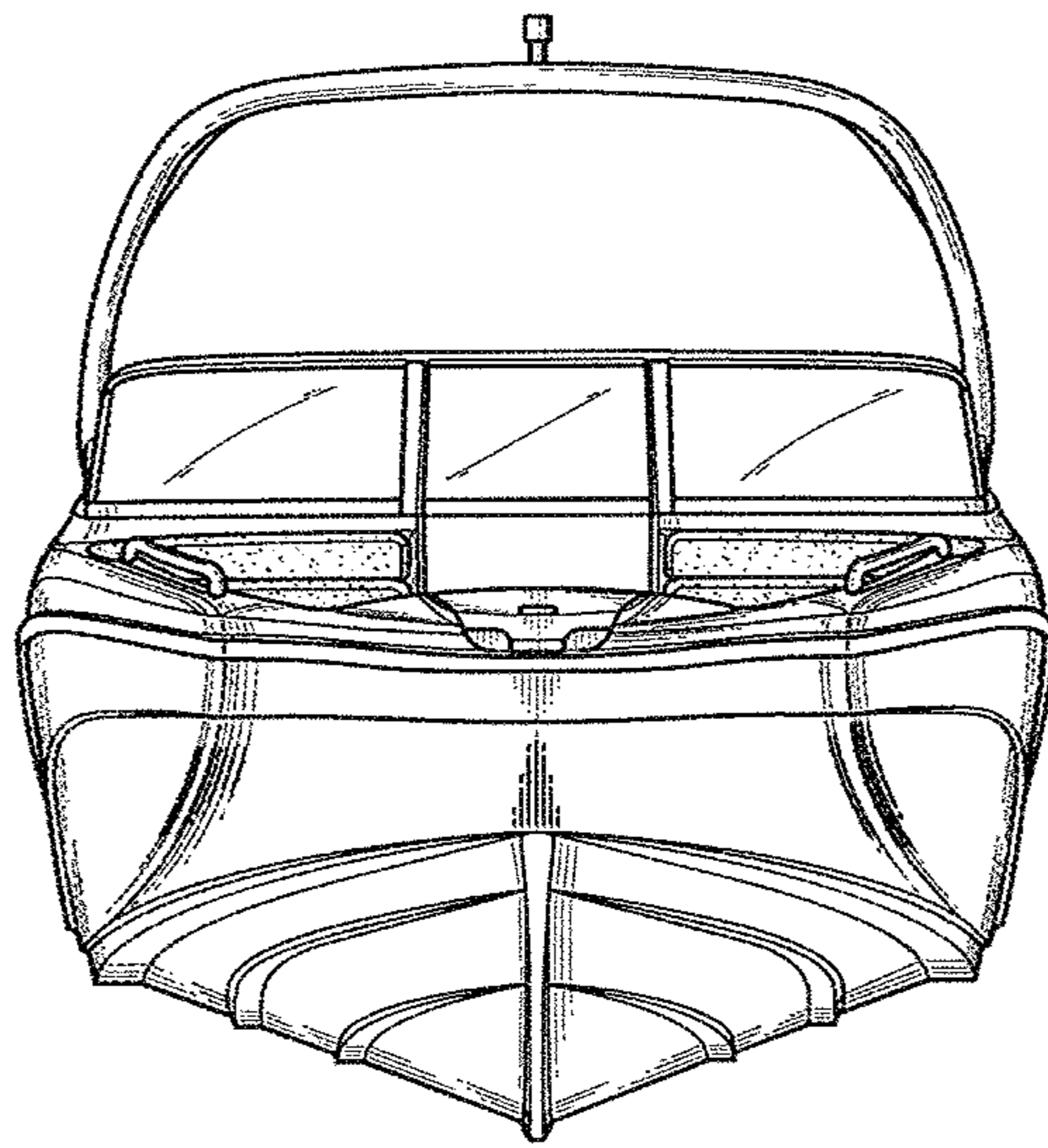


FIG. 2



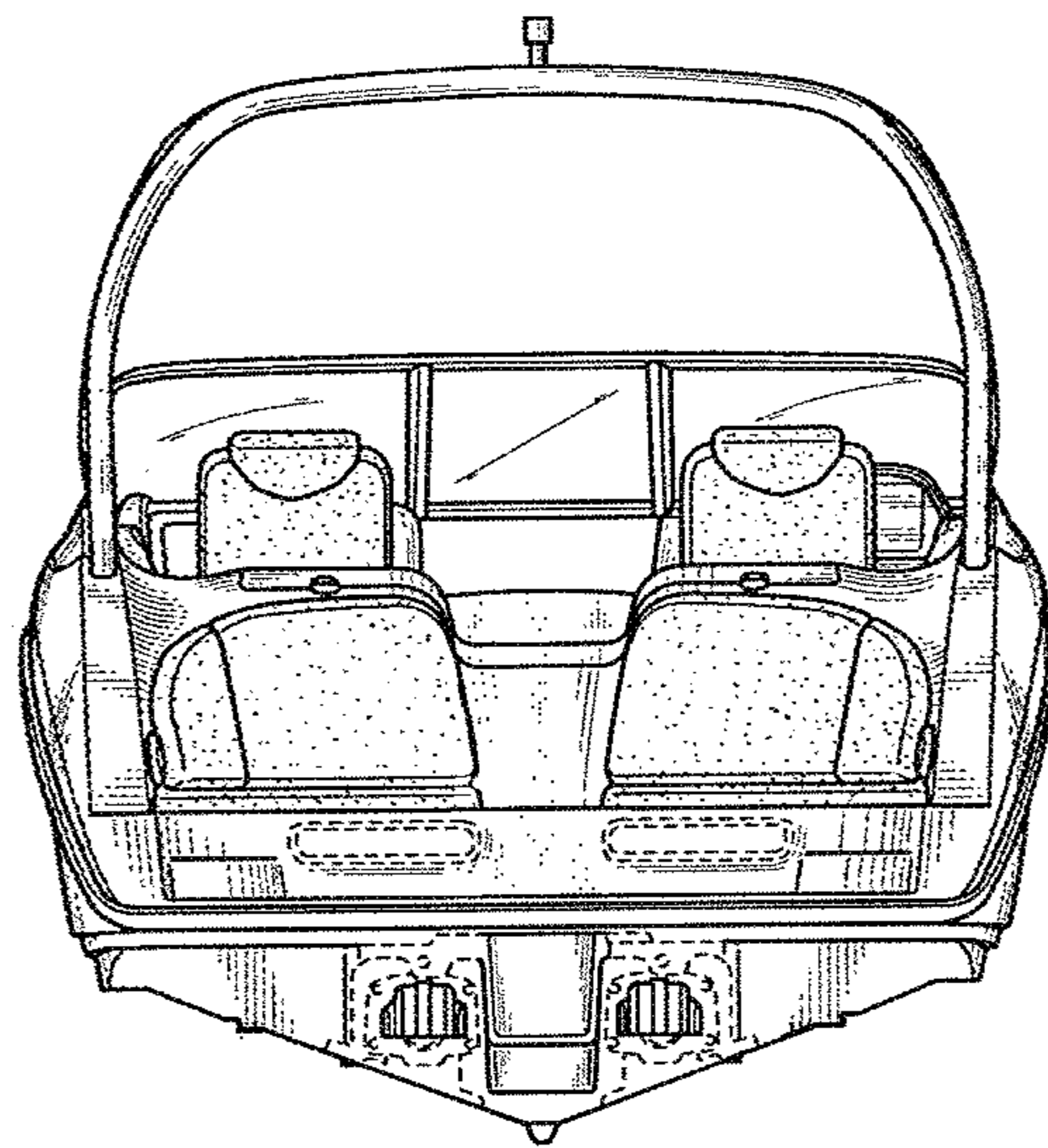


FIG. 3

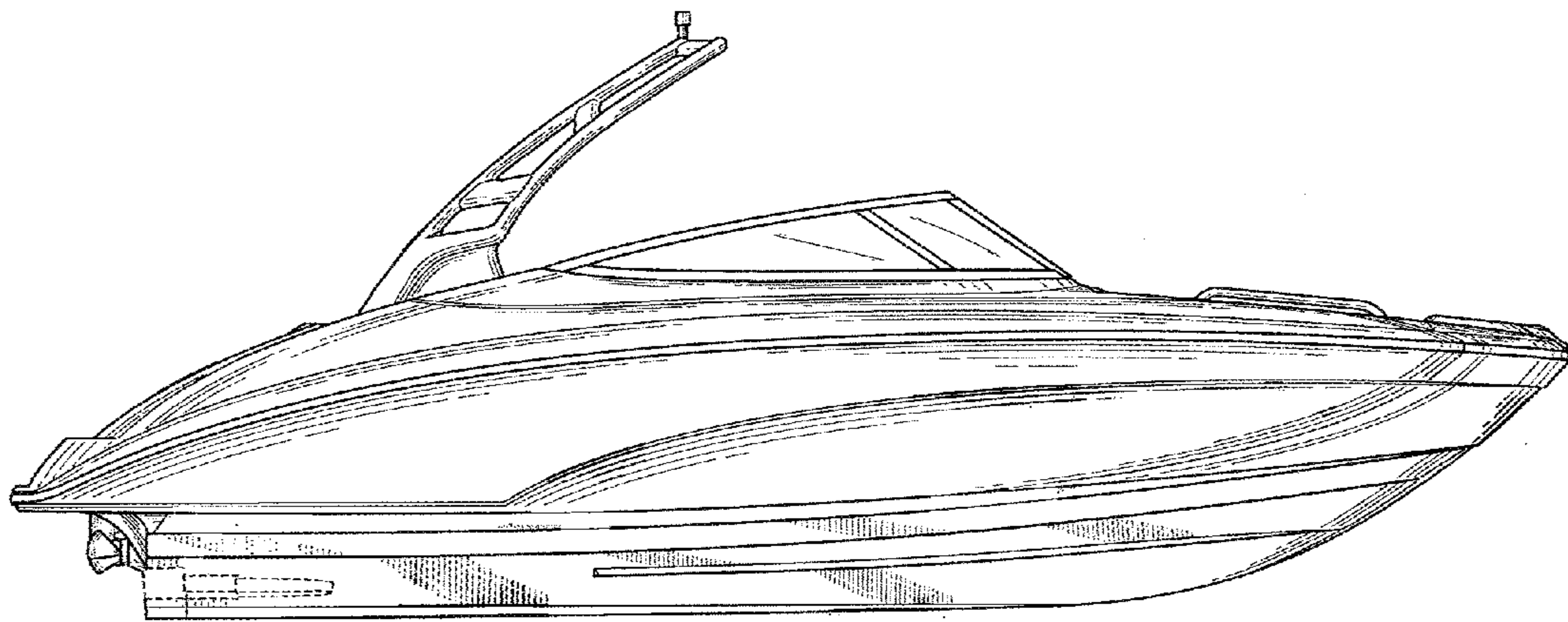


FIG. 4

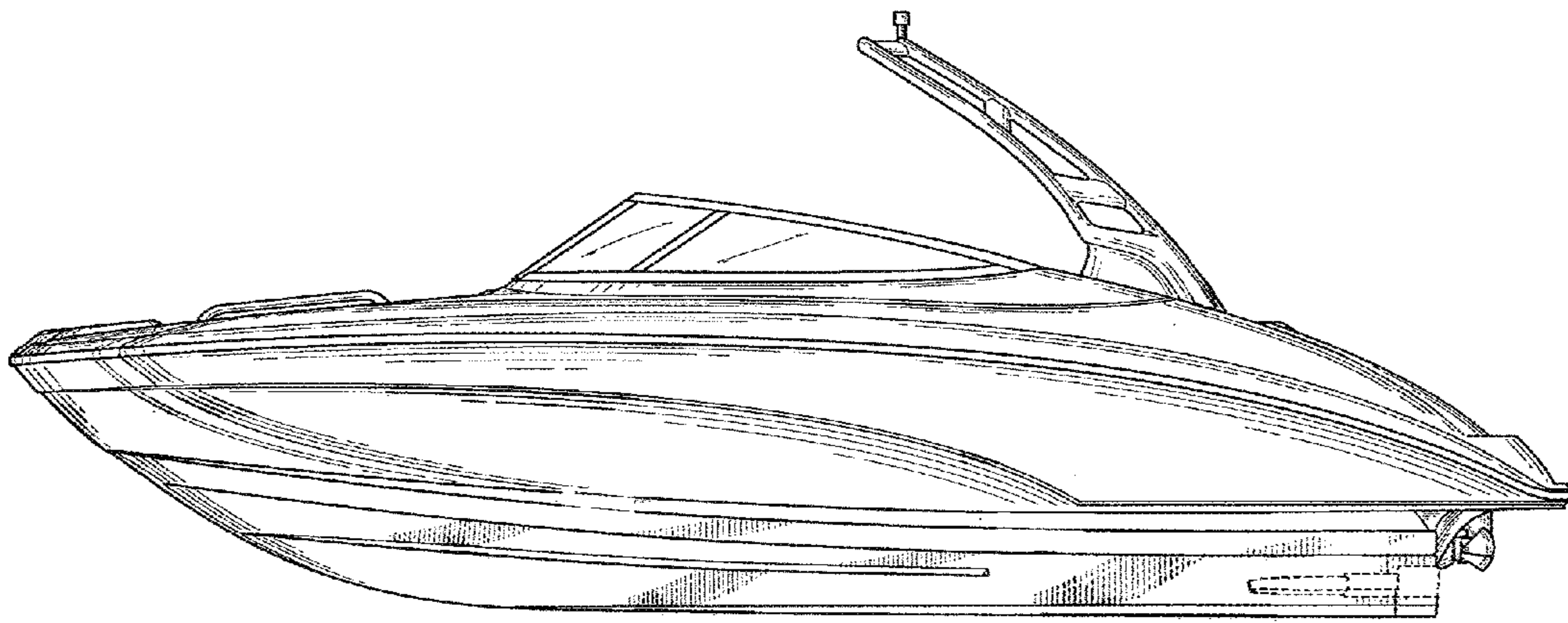


FIG. 5

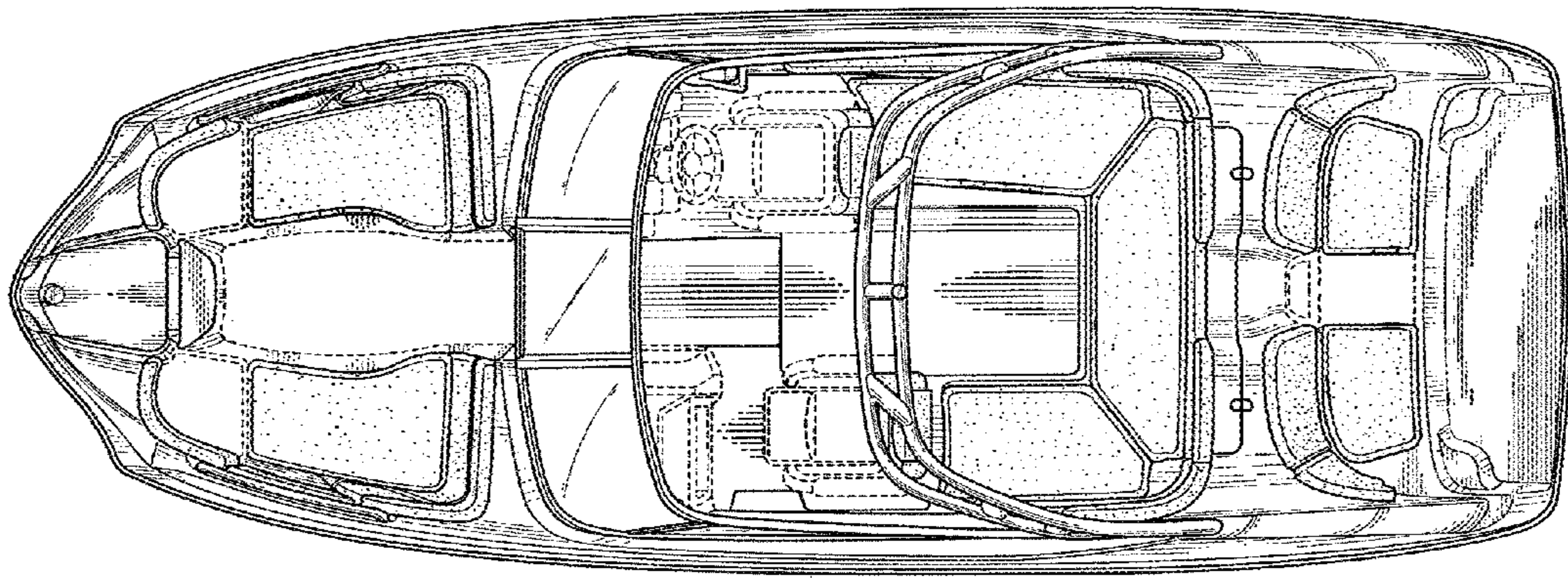


FIG. 6

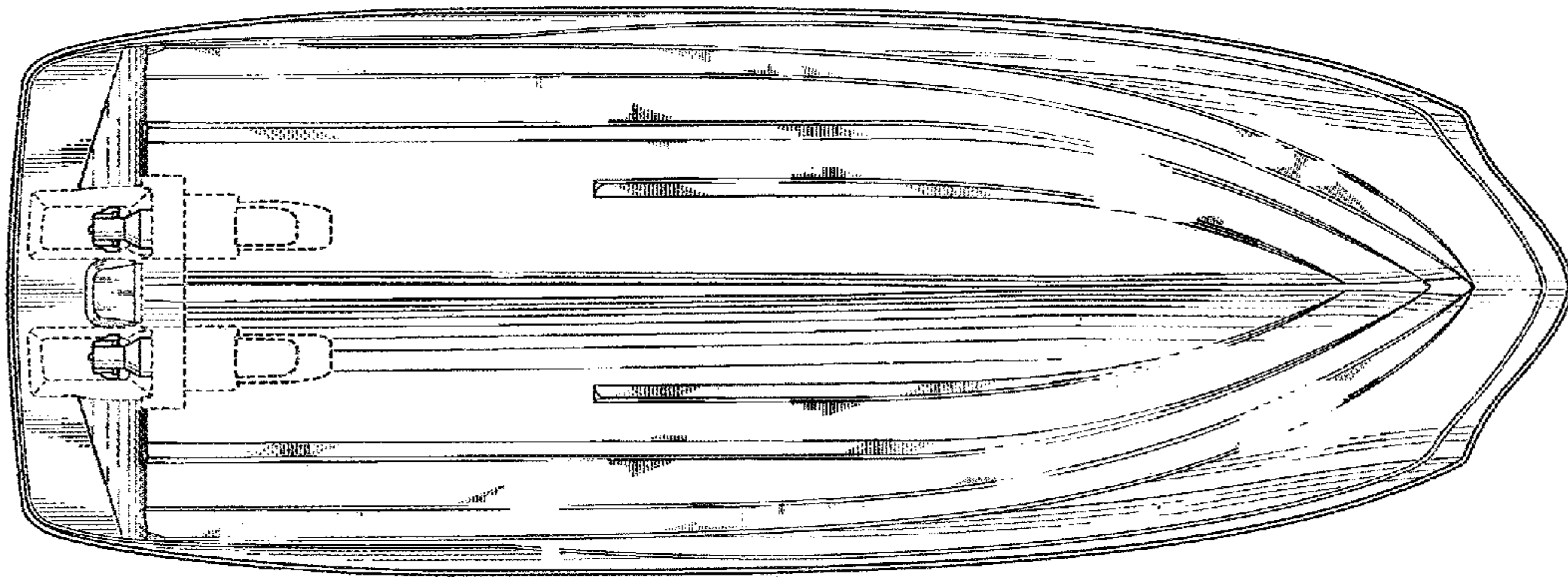


FIG. 7