



US00D751968S

(12) **United States Design Patent**  
**Boyce**

(10) **Patent No.:** **US D751,968 S**  
(45) **Date of Patent:** **\*\* Mar. 22, 2016**

(54) **GOLF CART FOOT PLATE BRACKET**  
(71) Applicant: **Red Hawk LLC**, Baltimore, MD (US)  
(72) Inventor: **E. Gillet Boyce**, Baltimore, MD (US)  
(73) Assignee: **RED HAWK LLC**, Baltimore, MD (US)  
(\*\*) Term: **14 Years**

D492,575	S	*	7/2004	Carroll et al.	.....	D8/354
6,814,366	B2	*	11/2004	McCoy et al.	.....	280/495
6,945,551	B2	*	9/2005	Blake	.....	280/507
8,079,611	B2	*	12/2011	Schroeder	.....	280/491.5
2002/0074773	A1	*	6/2002	McCoy et al.	.....	280/495
2004/0113407	A1	*	6/2004	McCoy et al.	.....	280/769
2006/0186637	A1	*	8/2006	Scruggs	.....	280/495
2008/0179860	A1	*	7/2008	Bell	.....	280/292
2011/0036129	A1	*	2/2011	Frantz	.....	70/57
2011/0109063	A1	*	5/2011	Fudala et al.	.....	280/497
2011/0221166	A1	*	9/2011	Williams et al.	.....	280/482

(21) Appl. No.: **29/479,677**  
(22) Filed: **Jan. 17, 2014**  
(51) **LOC (10) Cl.** ..... **12-06**  
(52) **U.S. Cl.**  
USPC ..... **D12/223**  
(58) **Field of Classification Search**  
USPC ..... D12/400, 114, 121, 172, 223, 106, 16,  
D12/20, 42, 45, 43, 51, 317; D8/71, 14,  
D8/349, 354, 355, 382, 499  
CPC ..... B60D 1/00; B60D 2001/001; B60D  
2001/005; B60D 1/485; B60D 1/14; B60D  
1/52; B60D 1/481; B60D 1/01; B62D 21/10;  
B60W 2300/405; B60Y 2200/86; G01C  
22/004  
See application file for complete search history.

\* cited by examiner  
*Primary Examiner* — Sheryl Lane  
*Assistant Examiner* — Ieisha Price  
(74) *Attorney, Agent, or Firm* — Miles & Stockbridge P.C.;  
David R. Schaffer

(57) **CLAIM**  
The ornamental design for a golf cart foot plate bracket, as shown and described.

**DESCRIPTION**  
FIG. 1 is a rear perspective view showing my new design for a golf cart foot plate bracket.  
FIG. 2 is a front view of the golf cart foot plate bracket.  
FIG. 3 is a left side view of the golf cart foot plate bracket.  
FIG. 4 is a right side view of the golf cart foot plate bracket.  
FIG. 5 is a top view of the golf cart foot plate bracket.  
FIG. 6 is a bottom view of the golf cart foot plate bracket; and,  
FIG. 7 is a back view of the golf cart foot plate bracket.  
The broken lines in the drawings illustrate portions of the golf cart foot plate bracket and form no part of the claimed design.

(56) **References Cited**  
U.S. PATENT DOCUMENTS  
D385,515 S \* 10/1997 Gogan et al. .... D12/114  
D386,131 S \* 11/1997 Gogan et al. .... D12/114  
6,729,638 B2 \* 5/2004 McCoy et al. .... 280/495

**1 Claim, 7 Drawing Sheets**

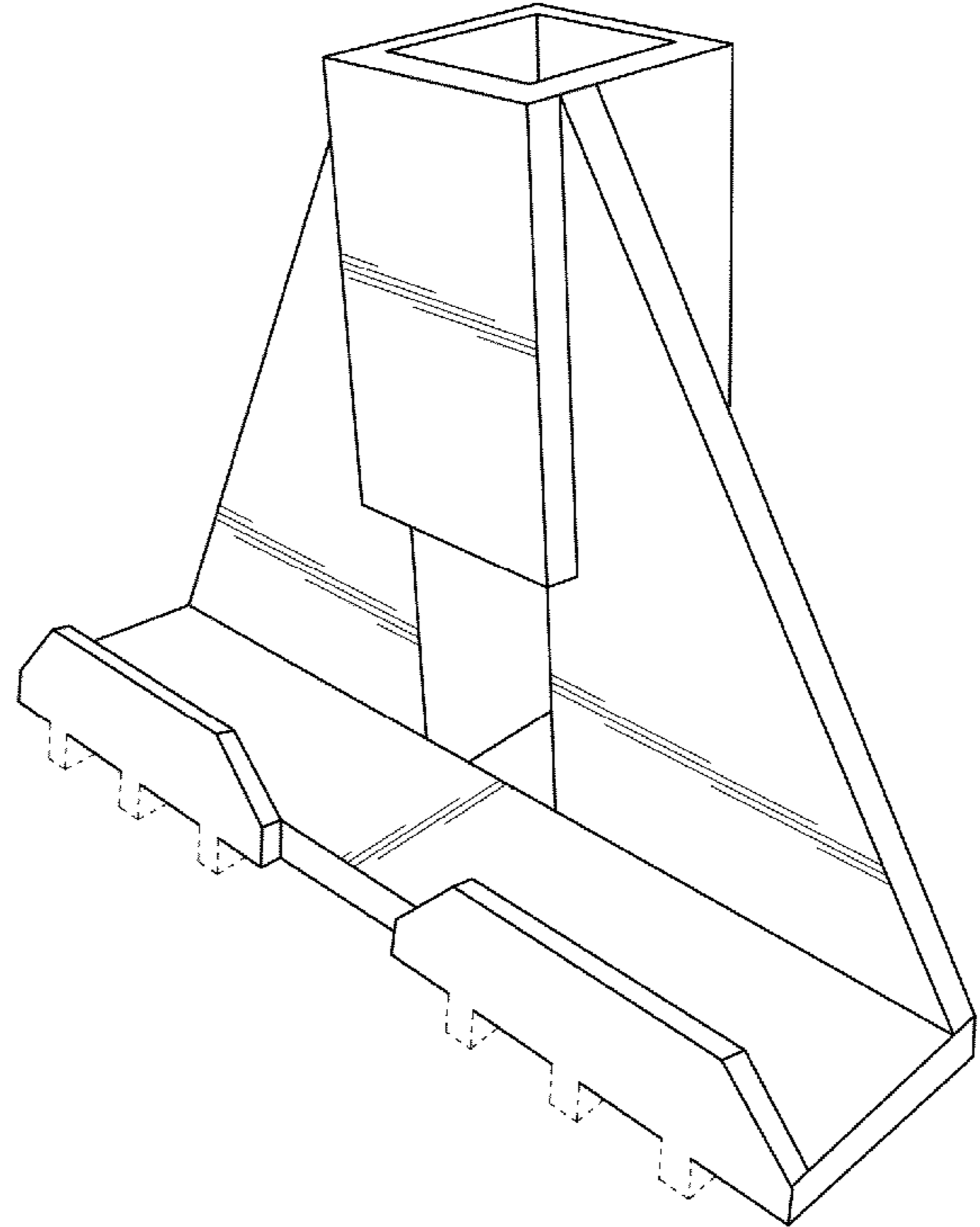


FIG. 1

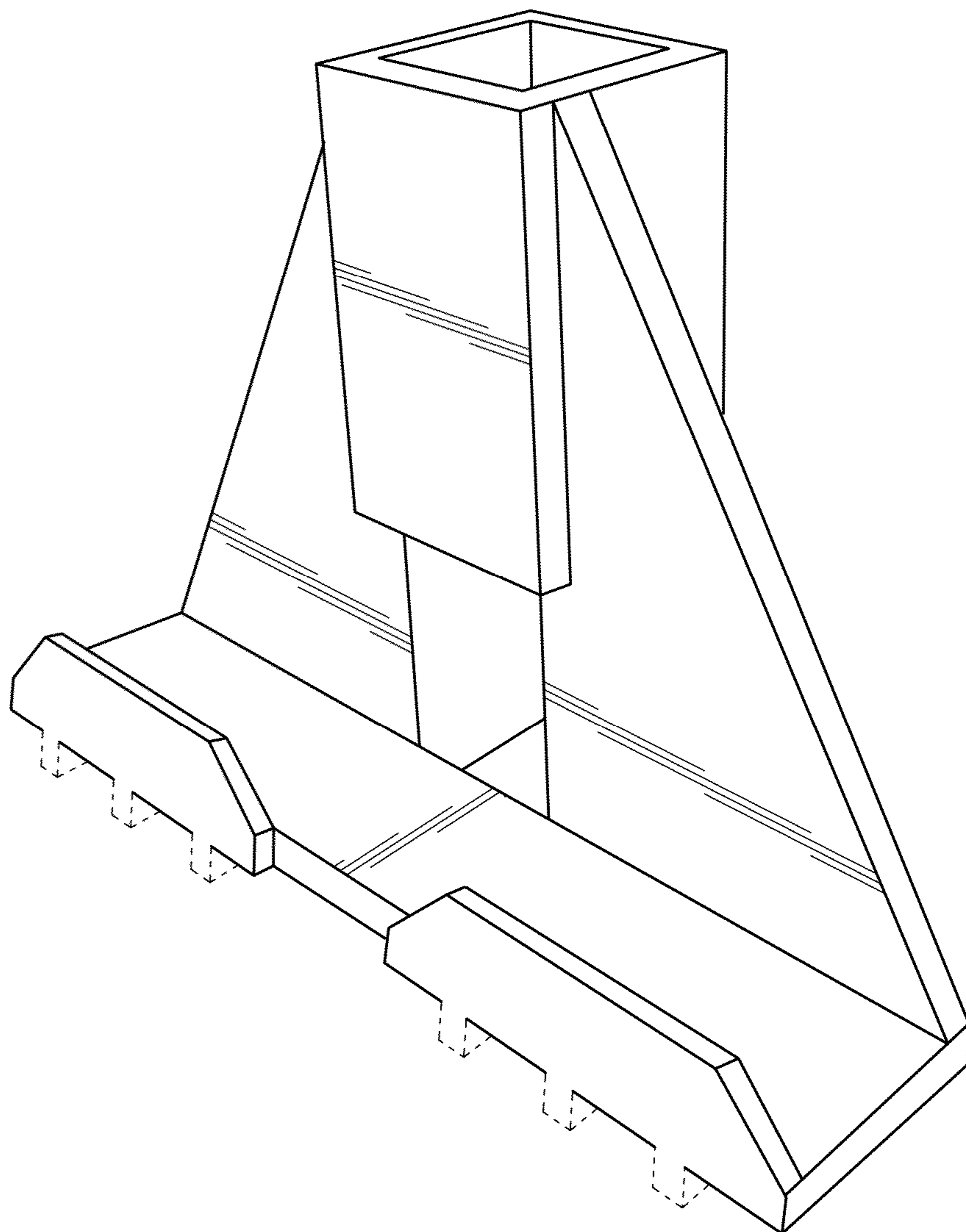


FIG. 2

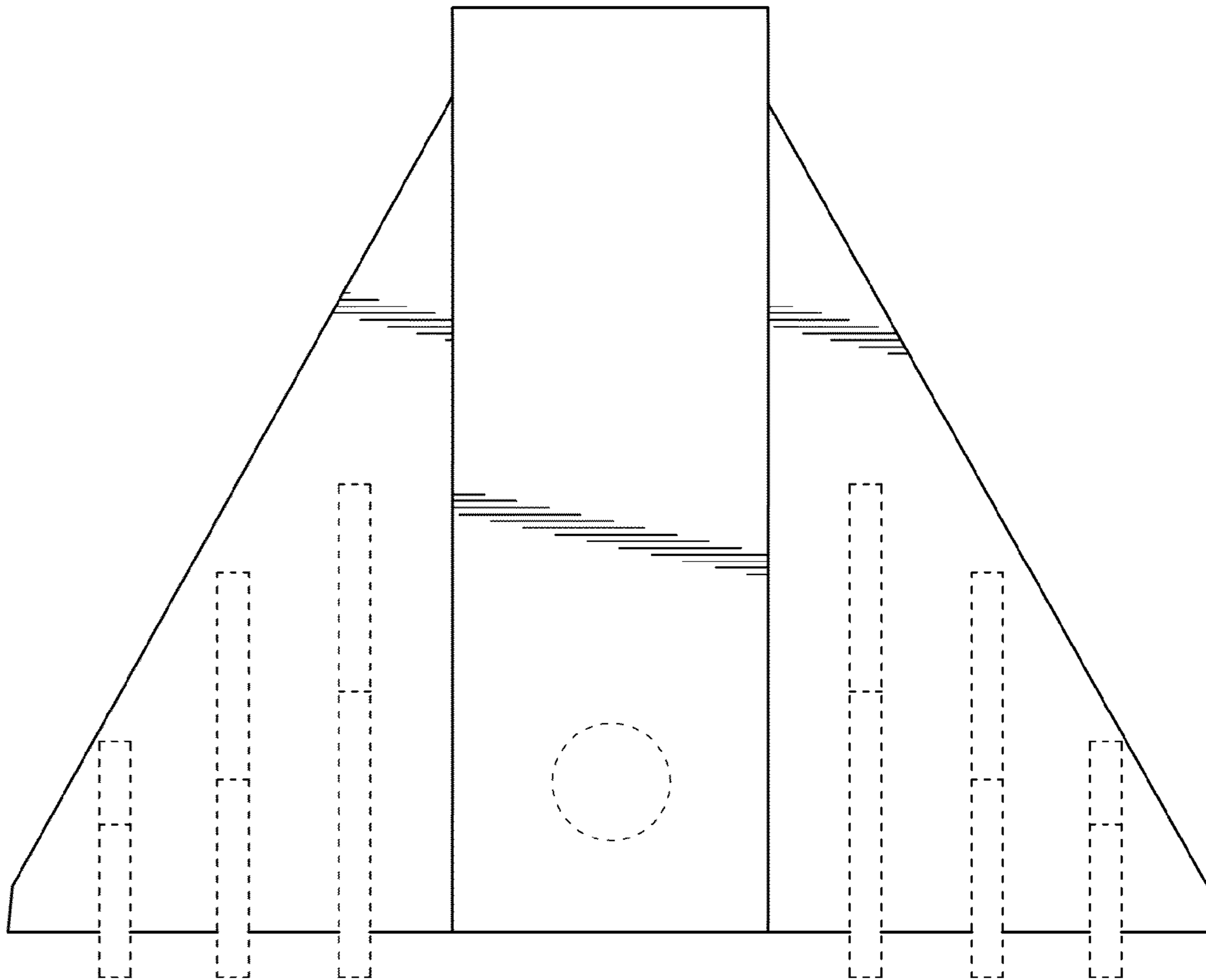


FIG. 3

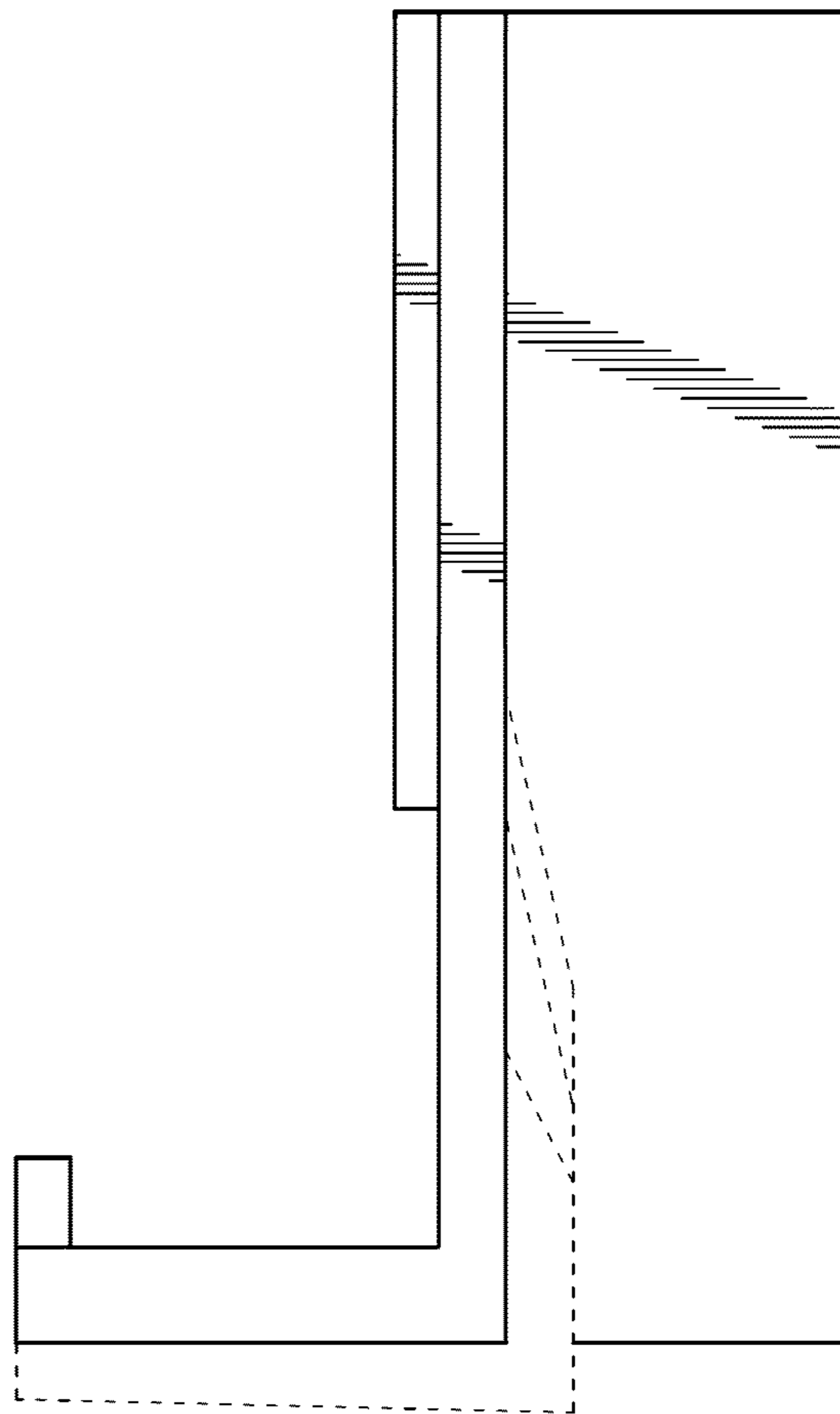


FIG. 4

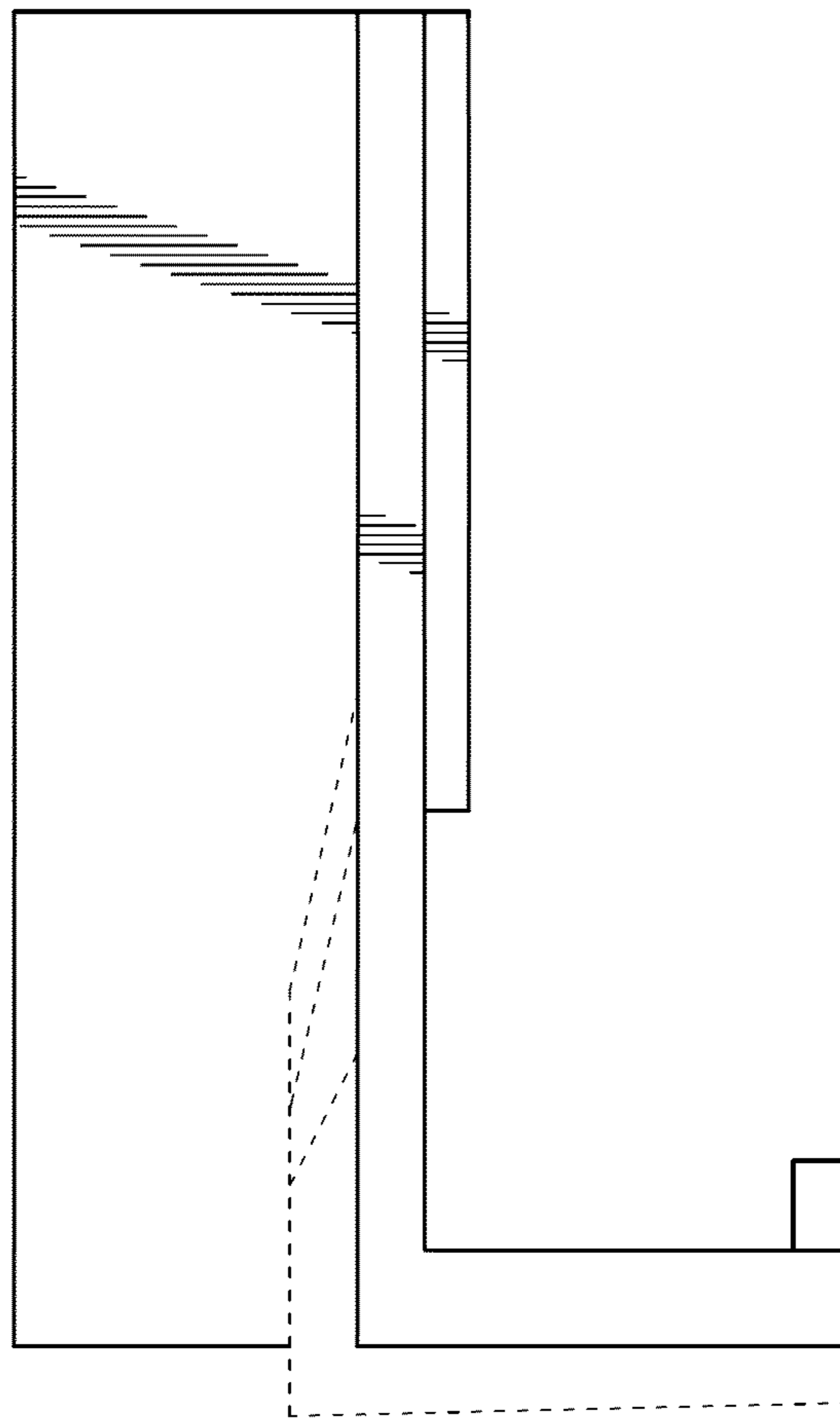


FIG. 5

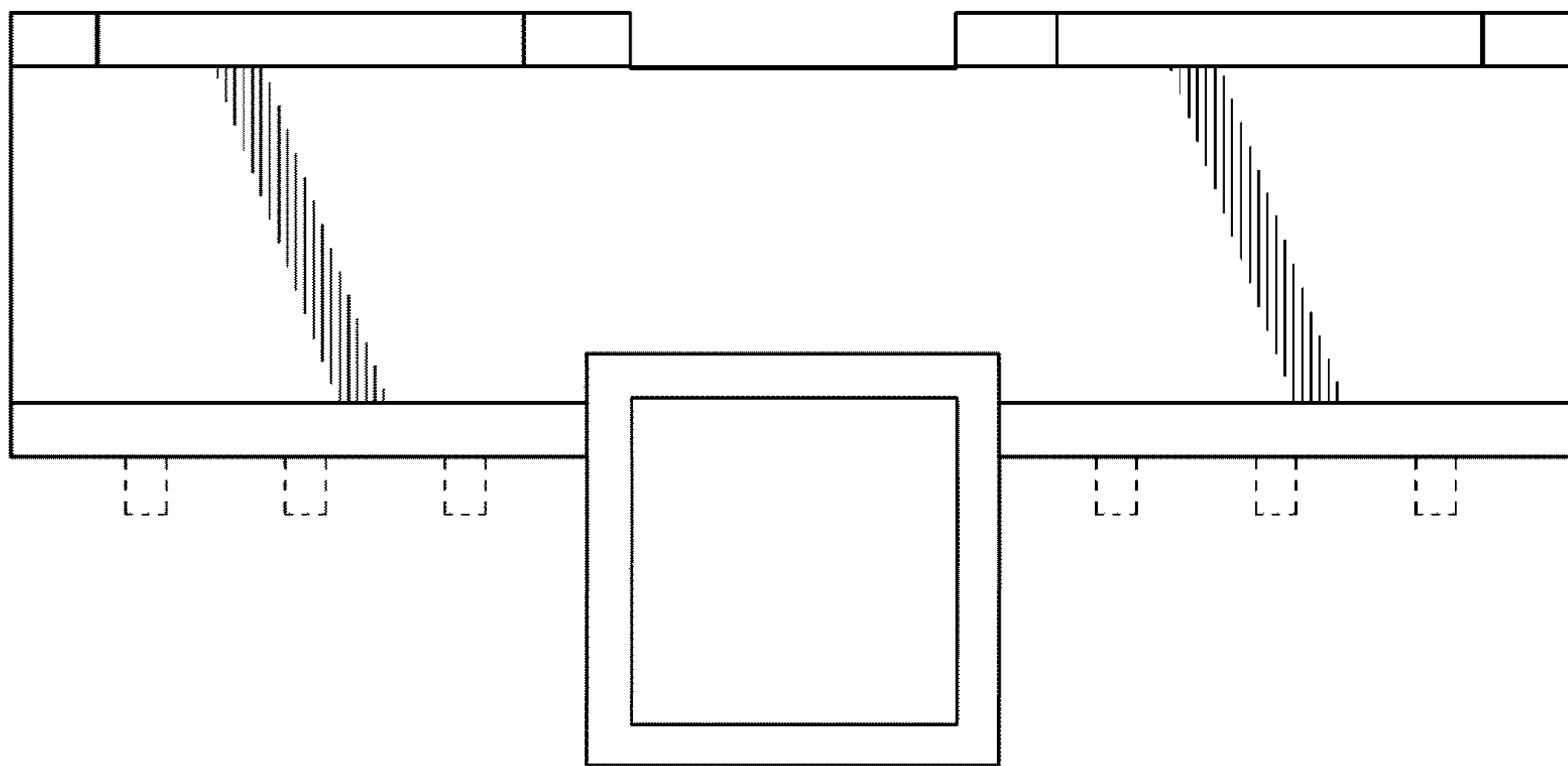


FIG. 6

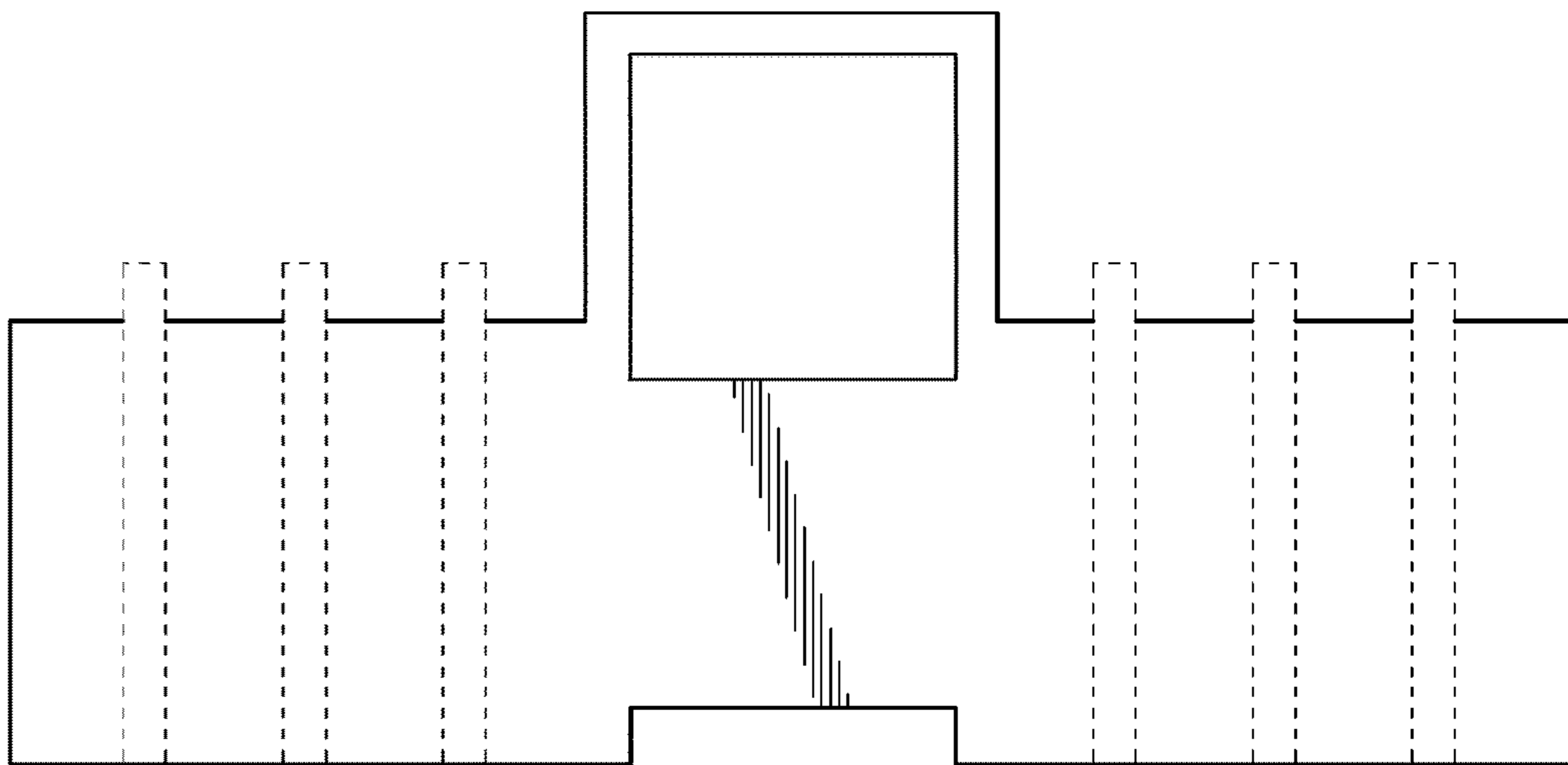


FIG. 7

