



US00D751967S

(12) **United States Design Patent**
Chung

(10) **Patent No.:** **US D751,967 S**
(45) **Date of Patent:** **** Mar. 22, 2016**

(54) **WHEEL**

(71) Applicant: **Suny Chung**, Yorba Linda, CA (US)

(72) Inventor: **Suny Chung**, Yorba Linda, CA (US)

(73) Assignee: **WHEEL PROS, LLC**, Greenwood Village, CO (US)

(**) Term: **14 Years**

(21) Appl. No.: **29/475,826**

(22) Filed: **Dec. 6, 2013**

Related U.S. Application Data

(60) Continuation of application No. 29/439,753, filed on Dec. 14, 2012, now Pat. No. Des. 695,195, which is a division of application No. 29/435,797, filed on Oct. 29, 2012, now Pat. No. Des. 702,172.

(51) **LOC (10) Cl.** **12-16**

(52) **U.S. Cl.**
USPC **D12/213**

(58) **Field of Classification Search**
USPC D12/204-213
CPC B60B 7/00; B60B 7/02; B60B 7/04;
B60B 7/01; B60B 7/06; B60B 3/02; B60B
3/04; B60B 3/06; B60B 3/10; B60B 1/00;

B60B 1/08; B60B 1/10; B60B 1/12
See application file for complete search history.

(56) **References Cited**

U.S. PATENT DOCUMENTS

D695,195 S *	12/2013	Chung	D12/211
D706,702 S *	6/2014	Chung	D12/211
D709,017 S *	7/2014	Chung	D12/211
D722,939 S *	2/2015	Chung	D12/213
D735,631 S *	8/2015	Chung	D12/211

* cited by examiner

Primary Examiner — Stacia Cadmus

(74) *Attorney, Agent, or Firm* — Garcia-Zamor IP Law; Ruy M. Garcia-Zamor

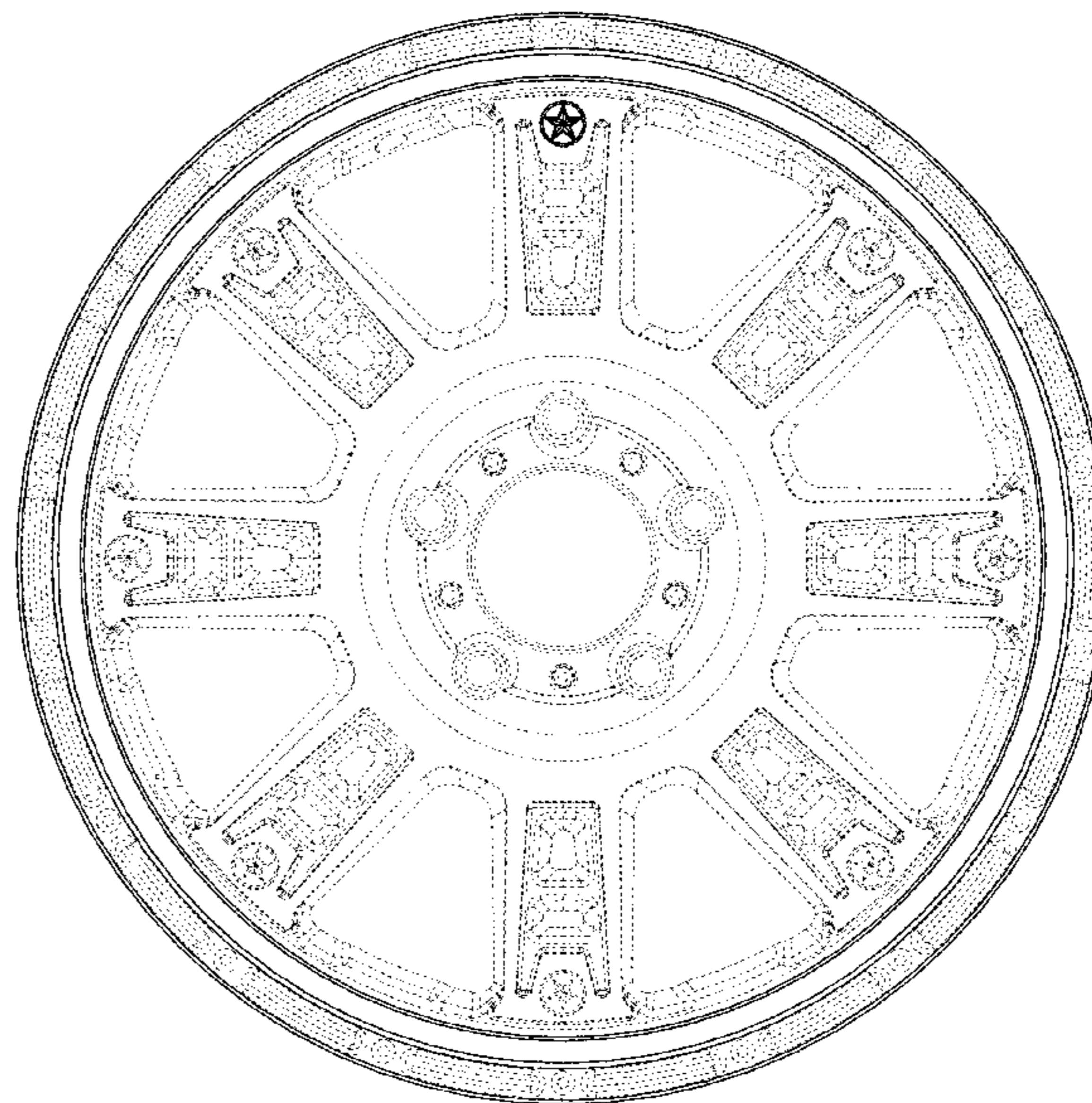
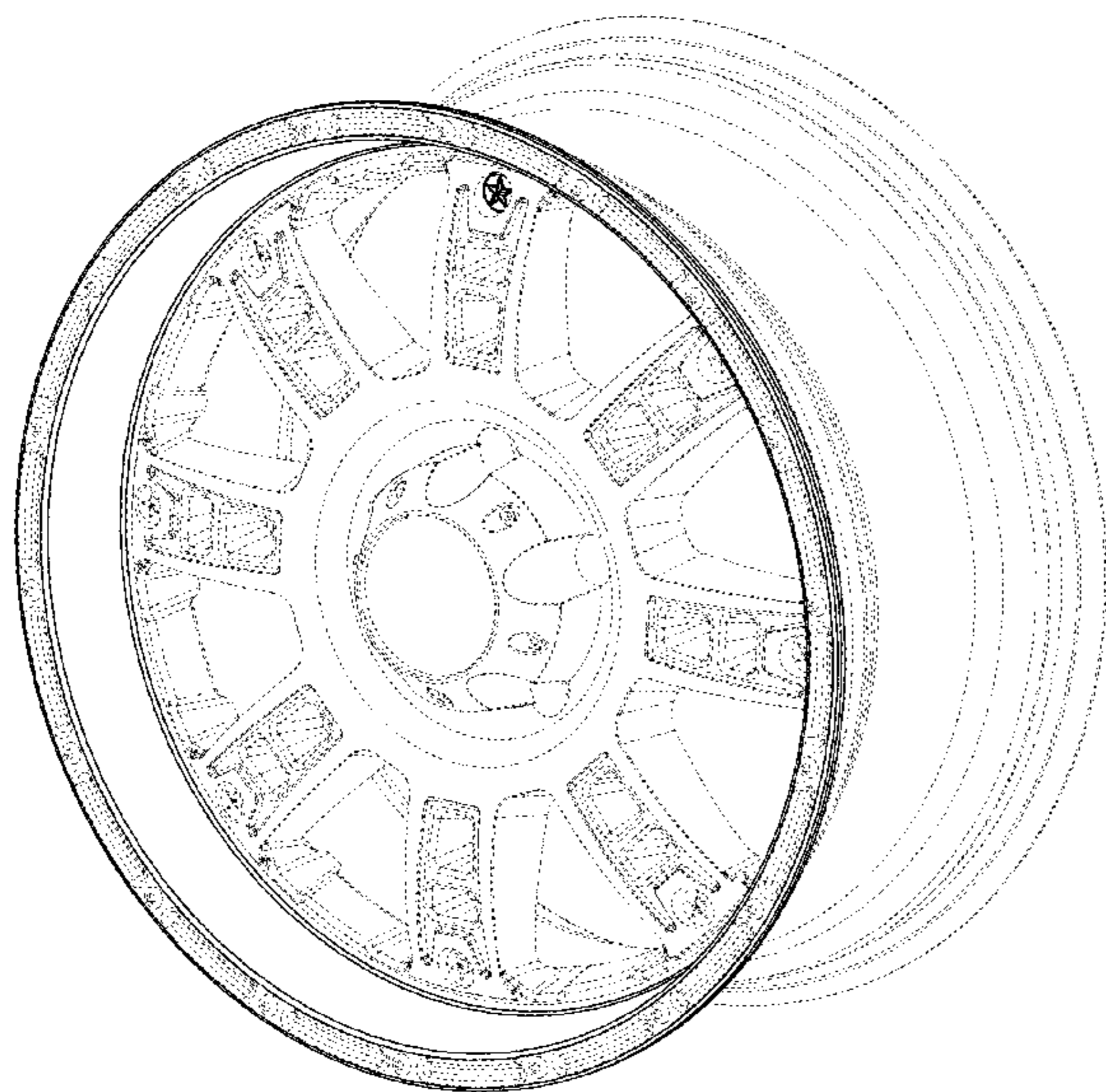
(57) **CLAIM**

The ornamental design for a wheel, as shown and described.

DESCRIPTION

FIG. 1 is a perspective view of a wheel showing my new design; and,
FIG. 2 is a front elevational view of the wheel of FIG. 1.
The broken line showing of the spokes, rim and central hub area of the wheel is included for the purpose of illustrating environment and forms no part of the claimed design.

1 Claim, 2 Drawing Sheets



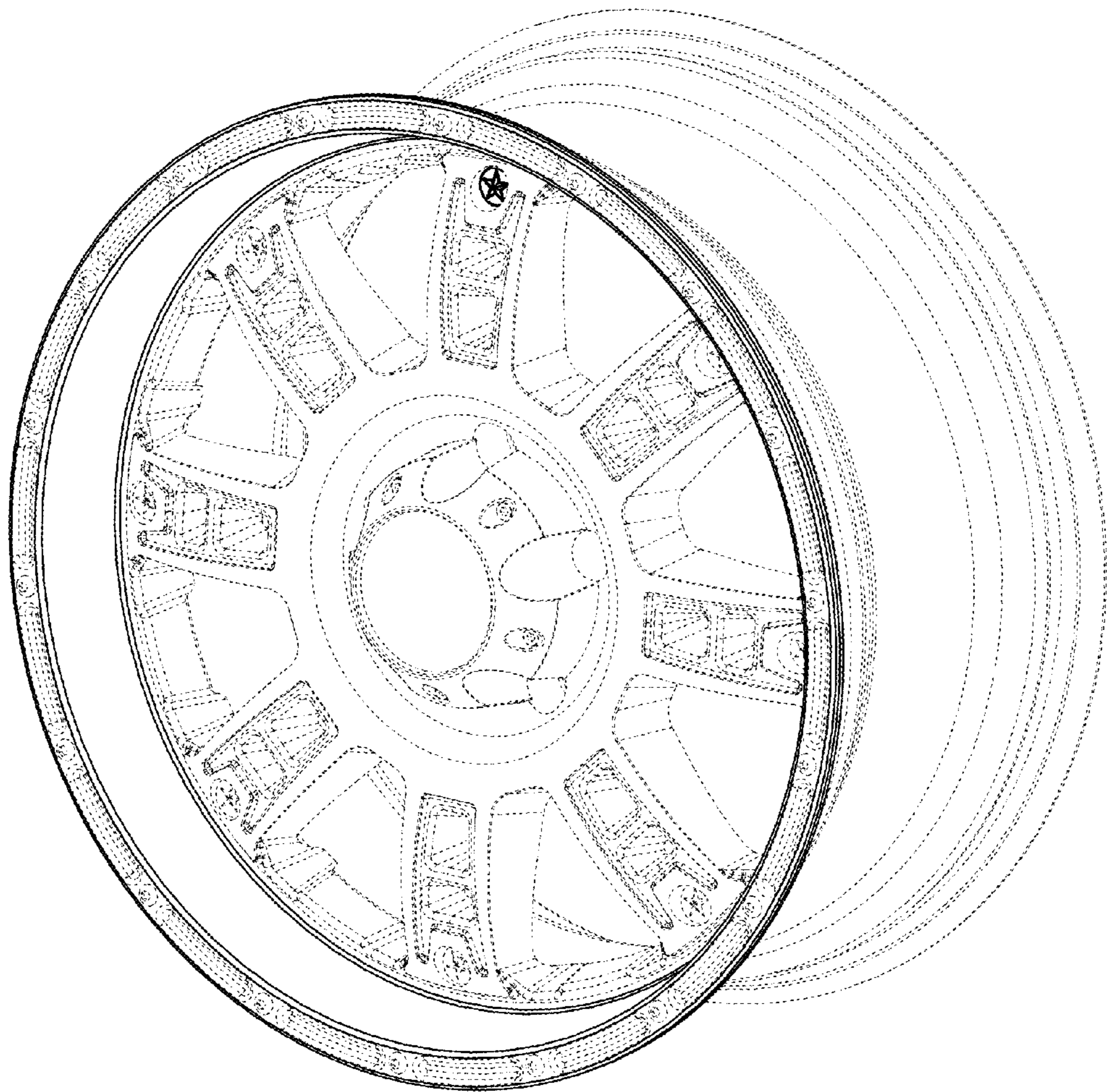


FIG. 1

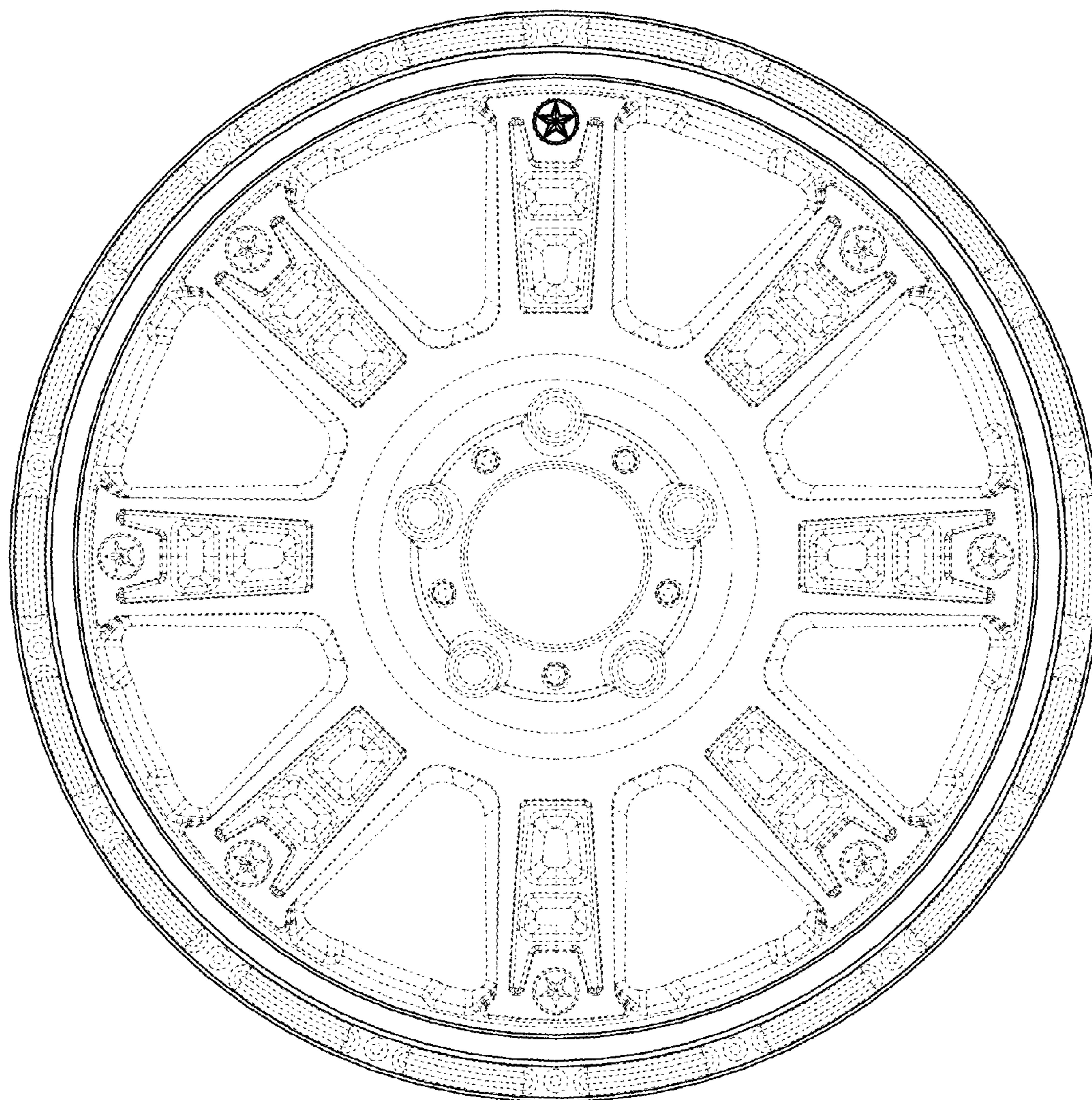


FIG. 2