



US00D751966S

(12) **United States Design Patent**
Zhao

(10) **Patent No.:** **US D751,966 S**
(45) **Date of Patent:** **** Mar. 22, 2016**

- (54) **AUTOMOBILE WHEEL**
- (71) Applicant: **WAH HUNG GROUP INC.**, Monterey Park, CA (US)
- (72) Inventor: **John Zhao**, Monterey Park, CA (US)
- (73) Assignee: **Wah Hung Group Inc.**, Monterey Park, CA (US)
- (**) Term: **14 Years**
- (21) Appl. No.: **29/506,017**
- (22) Filed: **Oct. 12, 2014**
- (51) **LOC (10) Cl.** **12-16**
- (52) **U.S. Cl.**
USPC **D12/211**
- (58) **Field of Classification Search**
USPC D12/204-213; 301/37.101, 64.101, 65
See application file for complete search history.

D684,101 S *	6/2013	Alfonso	D12/211
D691,937 S *	10/2013	Chan	D12/209
D704,617 S *	5/2014	Chung	D12/211
D707,167 S *	6/2014	Chung	D12/209
D721,318 S *	1/2015	Kim	D12/211
D735,631 S *	8/2015	Chung	D12/211

OTHER PUBLICATIONS

Search Results for IN/erne AND IN/alfonso on Dec. 21, 2014.
Search insults of IN/john AND TTL/wheel AND IN/zhao on Dec. 19, 2014.

* cited by examiner

Primary Examiner — Garth Rademaker
Assistant Examiner — Samantha Q Lawrence
(74) *Attorney, Agent, or Firm* — Payam Moradian

(57) **CLAIM**
I claim the ornamental design for an automobile wheel, as shown and described.

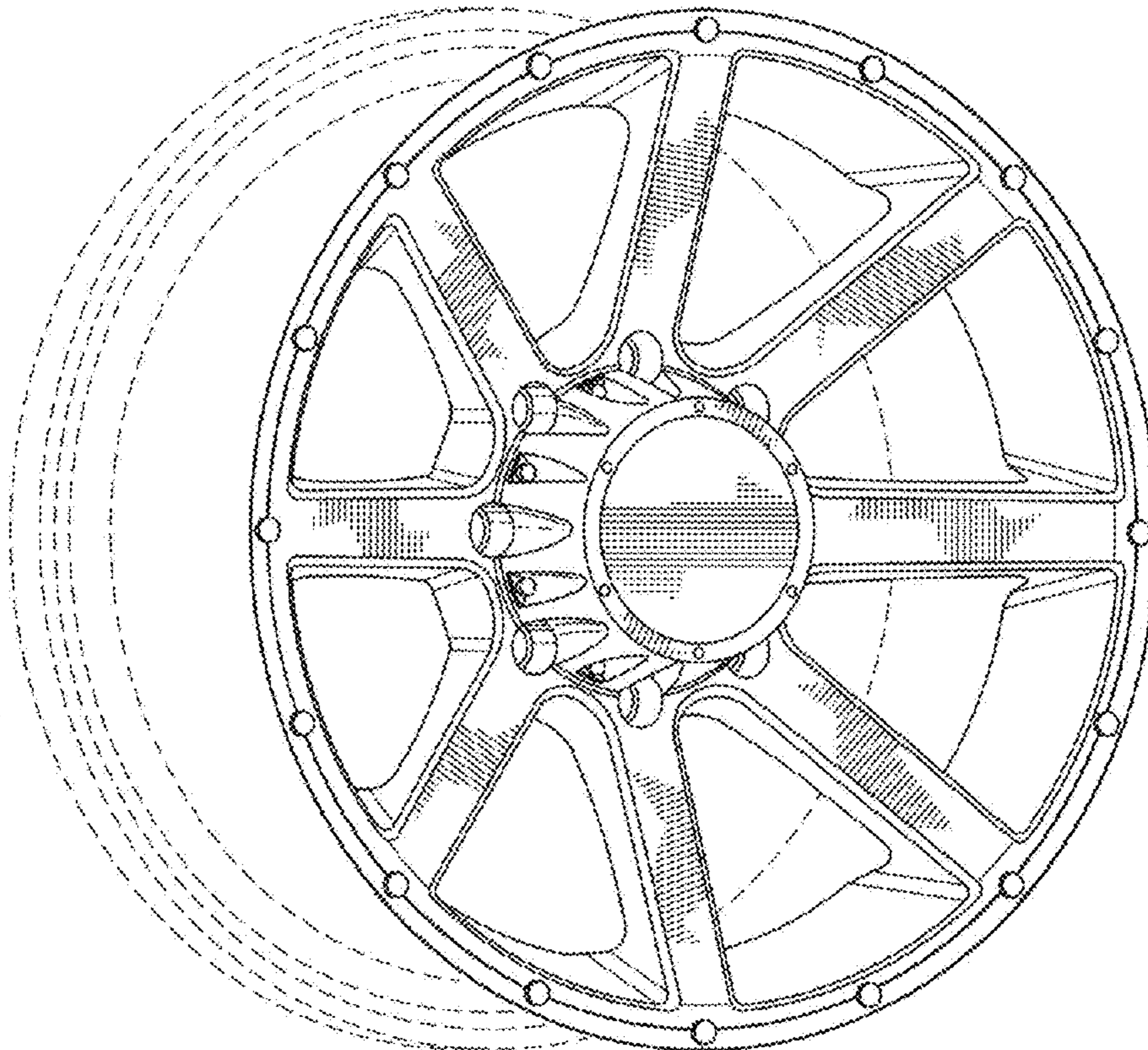
DESCRIPTION

FIG. 1 is a front elevational view of an automobile wheel; and, FIG. 2 is a perspective view thereof.
The broken lines shown in FIG. 2 illustrate portions of the automobile wheel that form no part of the claimed design.

(56) **References Cited**
U.S. PATENT DOCUMENTS

D671,483 S *	11/2012	Chung	D12/211
D681,534 S *	5/2013	Zhao	D12/211

1 Claim, 2 Drawing Sheets



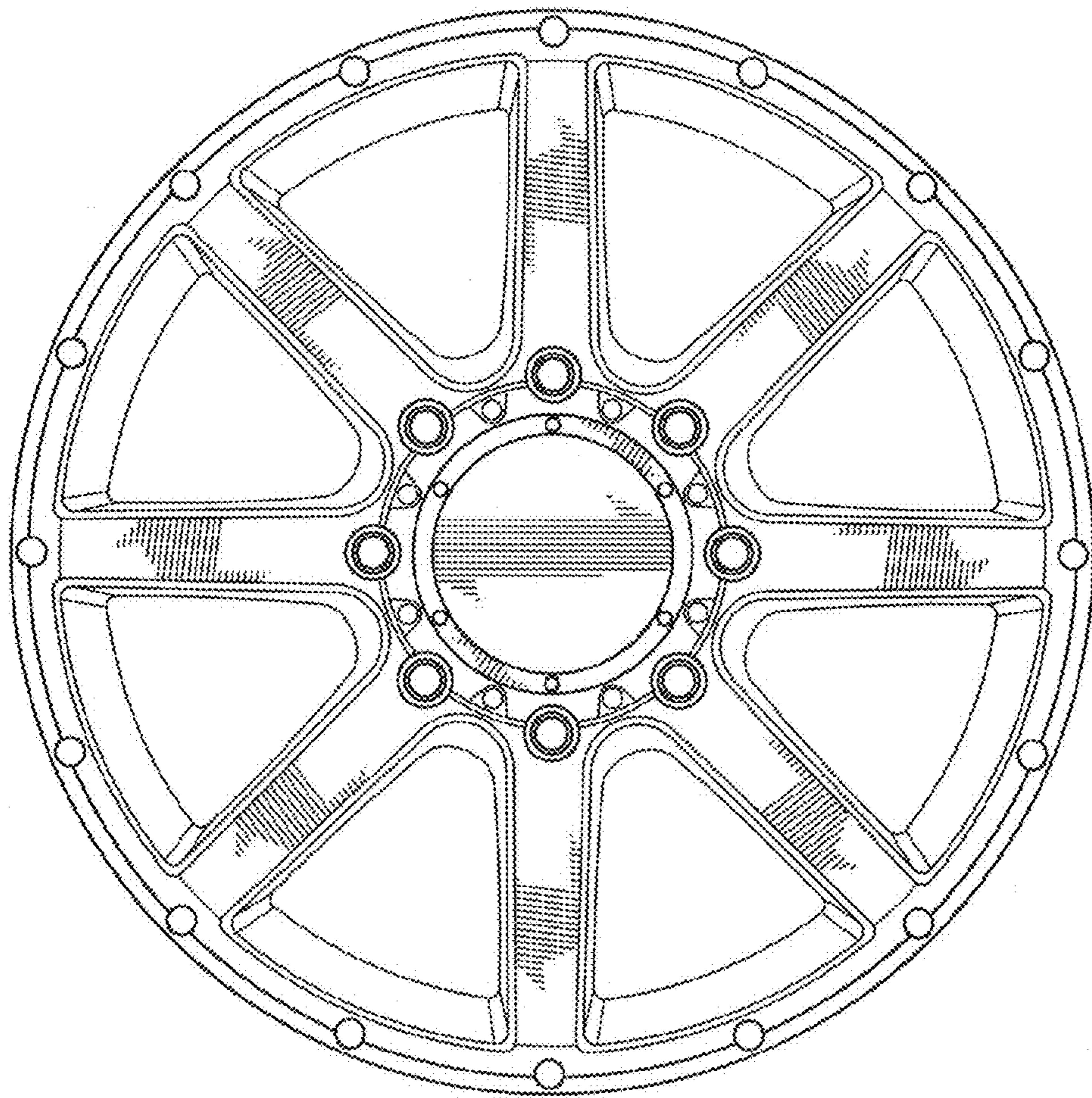


FIG. 1

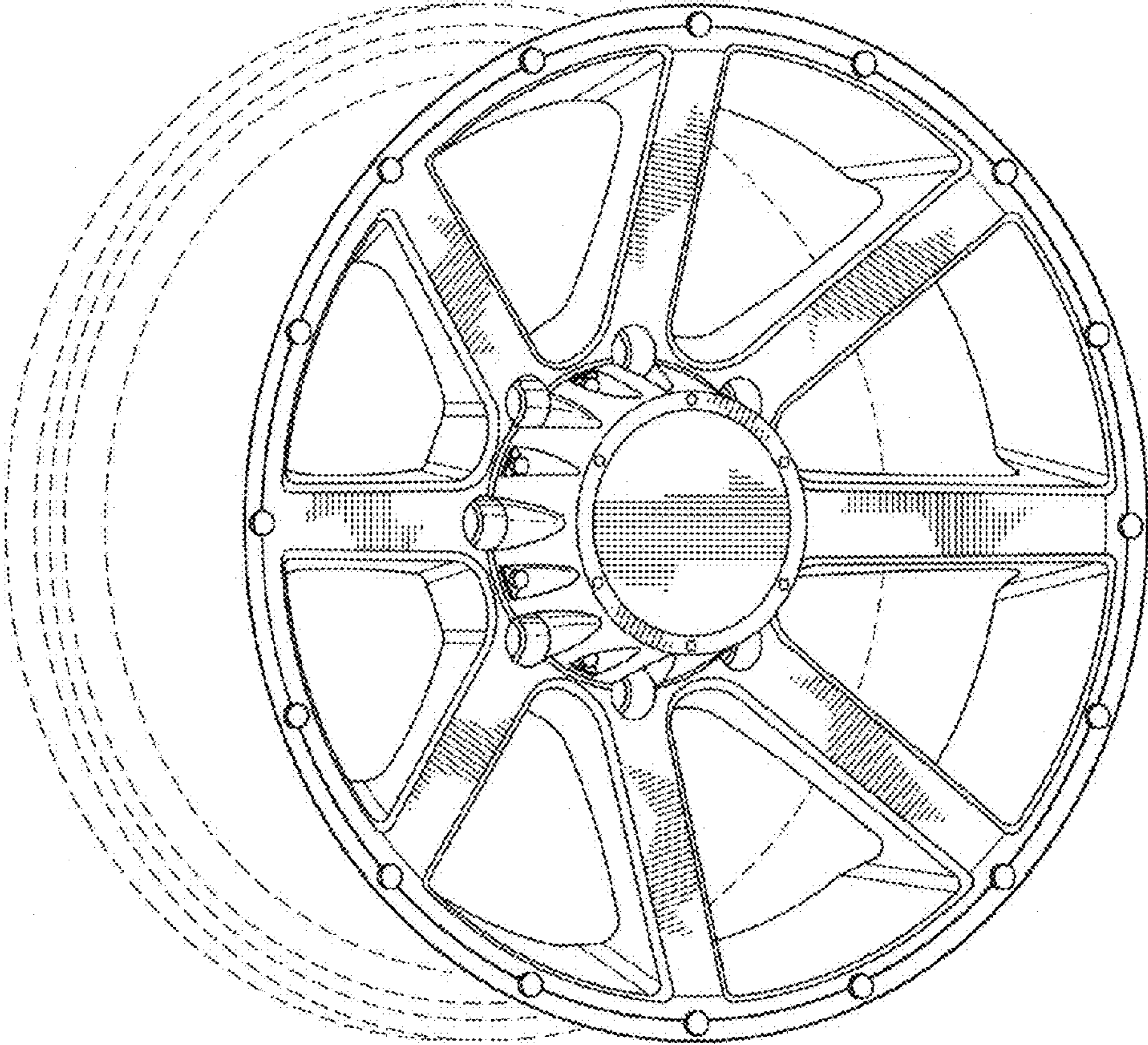


FIG. 2