



US00D751965S

(12) **United States Design Patent**
Tanaka

(10) **Patent No.:** **US D751,965 S**

(45) **Date of Patent:** **** Mar. 22, 2016**

(54) **WHEEL FOR AUTOMOBILES**

(71) Applicant: **HONDA MOTOR CO., LTD.**, Tokyo (JP)

(72) Inventor: **Yoshiro Tanaka**, Wako (JP)

(73) Assignee: **HONDA MOTOR CO., LTD.**, Tokyo (JP)

(**) Term: **15 Years**

(21) Appl. No.: **29/528,203**

(22) Filed: **May 27, 2015**

(30) **Foreign Application Priority Data**

Nov. 28, 2014 (JP) 2014-026679

(51) **LOC (10) Cl.** **12-16**

(52) **U.S. Cl.**
USPC **D12/209**

(58) **Field of Classification Search**

USPC D12/204–213
CPC B60B 7/00; B60B 7/02; B60B 7/04;
B60B 7/01; B60B 7/06; B60B 3/02; B60B
3/04; B60B 3/06; B60B 3/10; B60B 1/00;
B60B 1/08; B60B 1/10; B60B 1/12

See application file for complete search history.

(56) **References Cited**

U.S. PATENT DOCUMENTS

D621,770 S * 8/2010 Pollmann D12/209
D630,564 S * 1/2011 Baum D12/209
D655,659 S * 3/2012 Schweizer D12/209
D660,763 S * 5/2012 Chan D12/209
D671,059 S * 11/2012 Pollmann D12/209
D680,934 S * 4/2013 Eda D12/209

D686,128 S * 7/2013 Baum D12/209
D686,964 S * 7/2013 Baum D12/211
D689,810 S * 9/2013 Mindt D12/209
D696,177 S * 12/2013 Juergens D12/209
D698,297 S * 1/2014 Chung D12/209
D720,269 S * 12/2014 Hodges D12/209
D720,272 S 12/2014 Rueckheim
D730,795 S * 6/2015 Mays D12/209
D733,024 S * 6/2015 Valencia Pollex D12/209

FOREIGN PATENT DOCUMENTS

JP D1516918 S 2/2015

OTHER PUBLICATIONS

Official Communication dated Apr. 28, 2015, issued in corresponding Japanese Patent Application No. 2014-026679 (1 page).

* cited by examiner

Primary Examiner — Stacia Cadmus

(74) *Attorney, Agent, or Firm* — Westerman, Hattori, Daniels & Adrian, LLP

(57) **CLAIM**

The ornamental design for a wheel for automobiles, as shown and described.

DESCRIPTION

FIG. 1 is a front view of a wheel for automobiles; FIG. 2 is a plan view of the wheel for automobiles; FIG. 3 is a right side view of the wheel for automobiles; and, FIG. 4 is a front perspective view of the wheel for automobiles as seen from a left side.

The broken line showing of the back portion of the rim is included for the purpose of illustrating environment and forms no part of the claimed design.

1 Claim, 2 Drawing Sheets

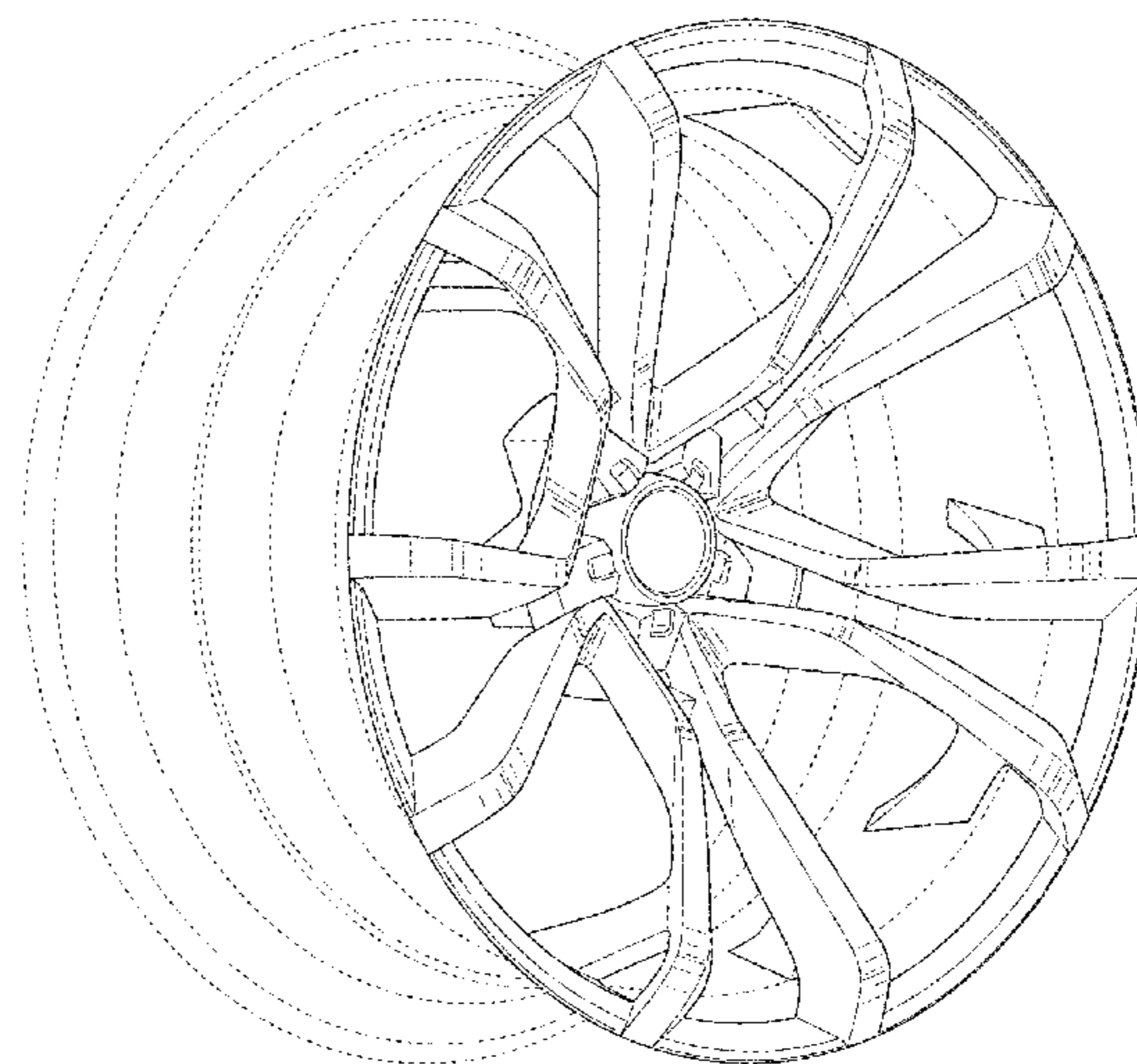
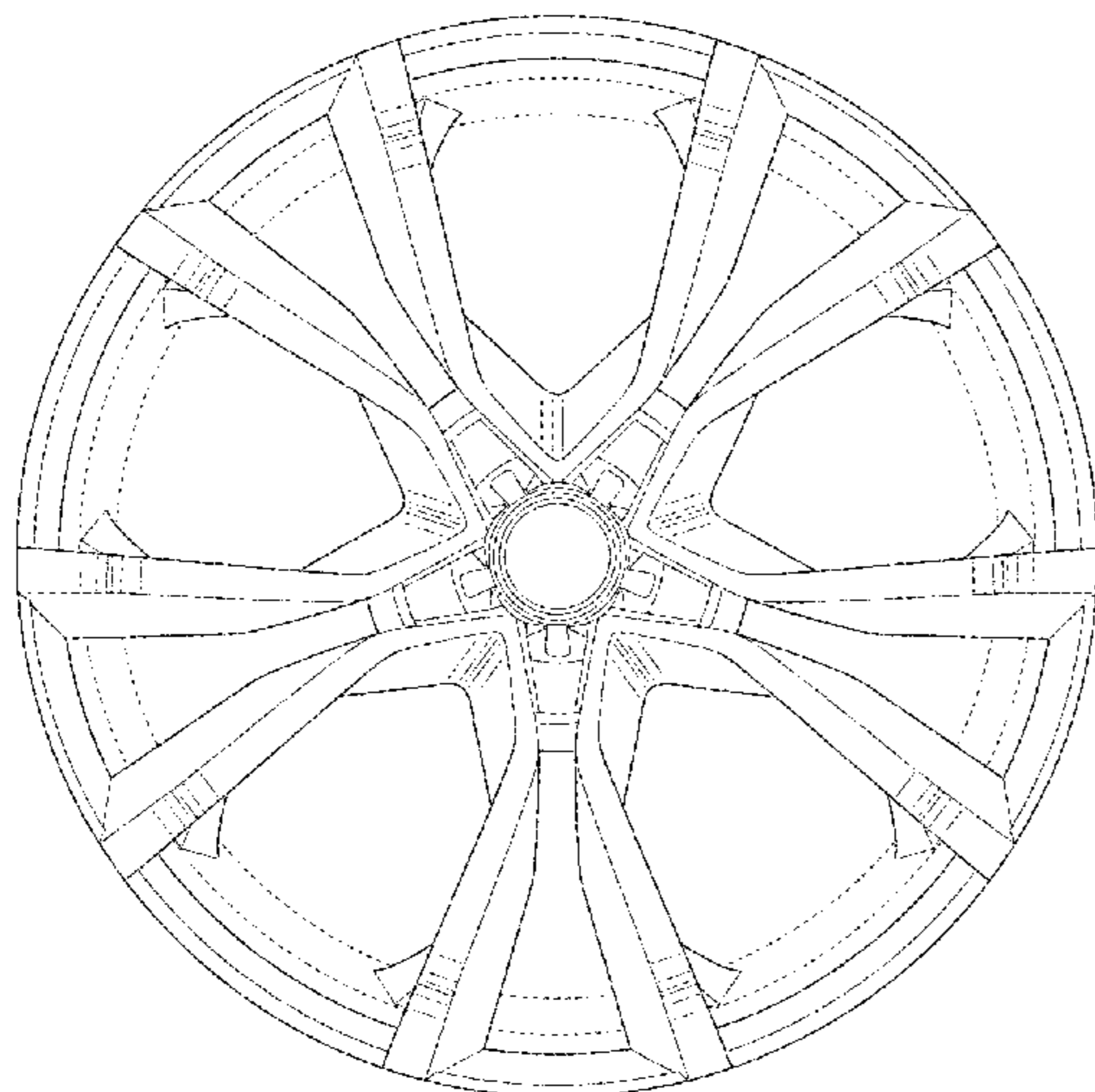


FIG.1

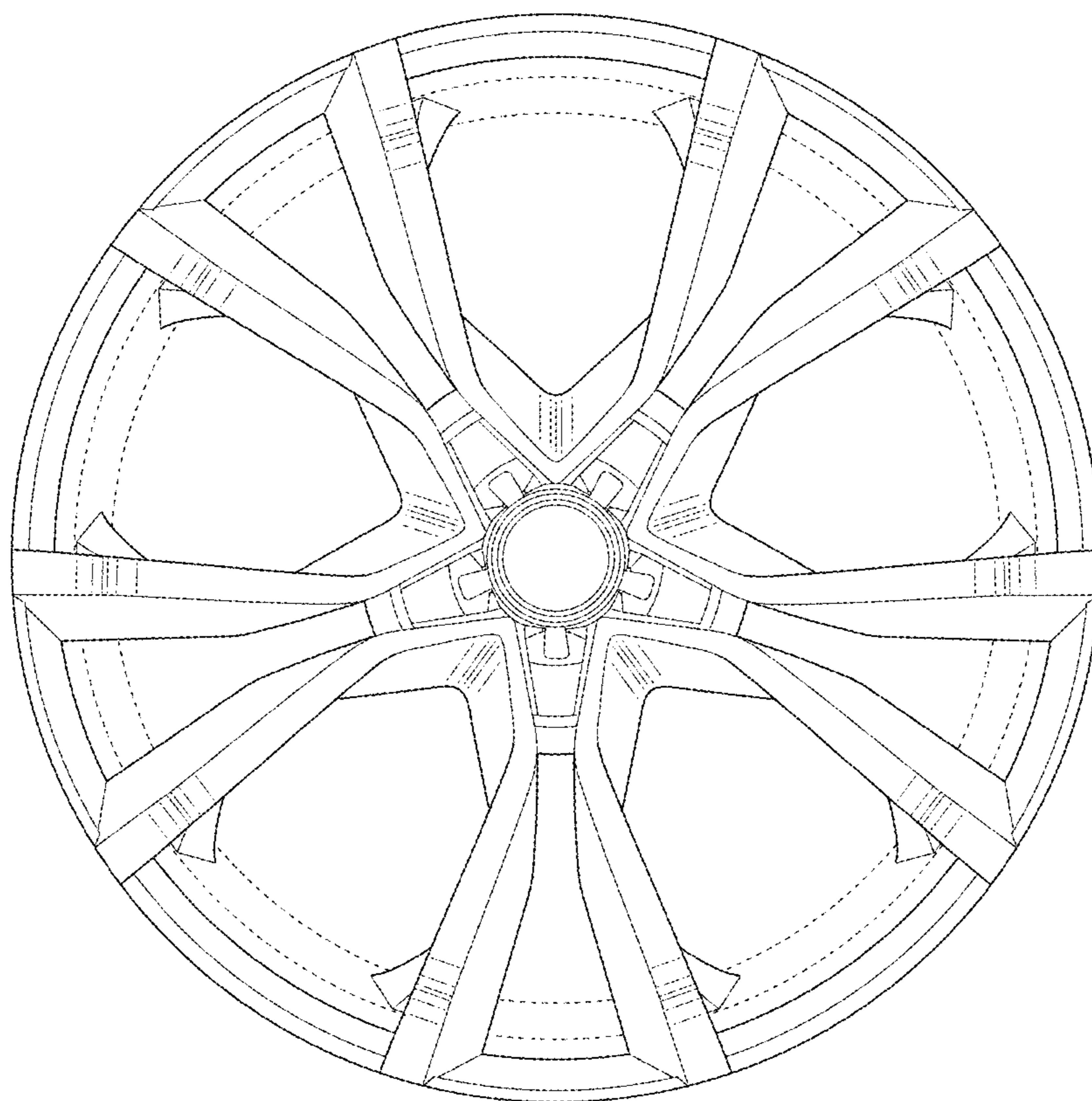


FIG.2



FIG.3

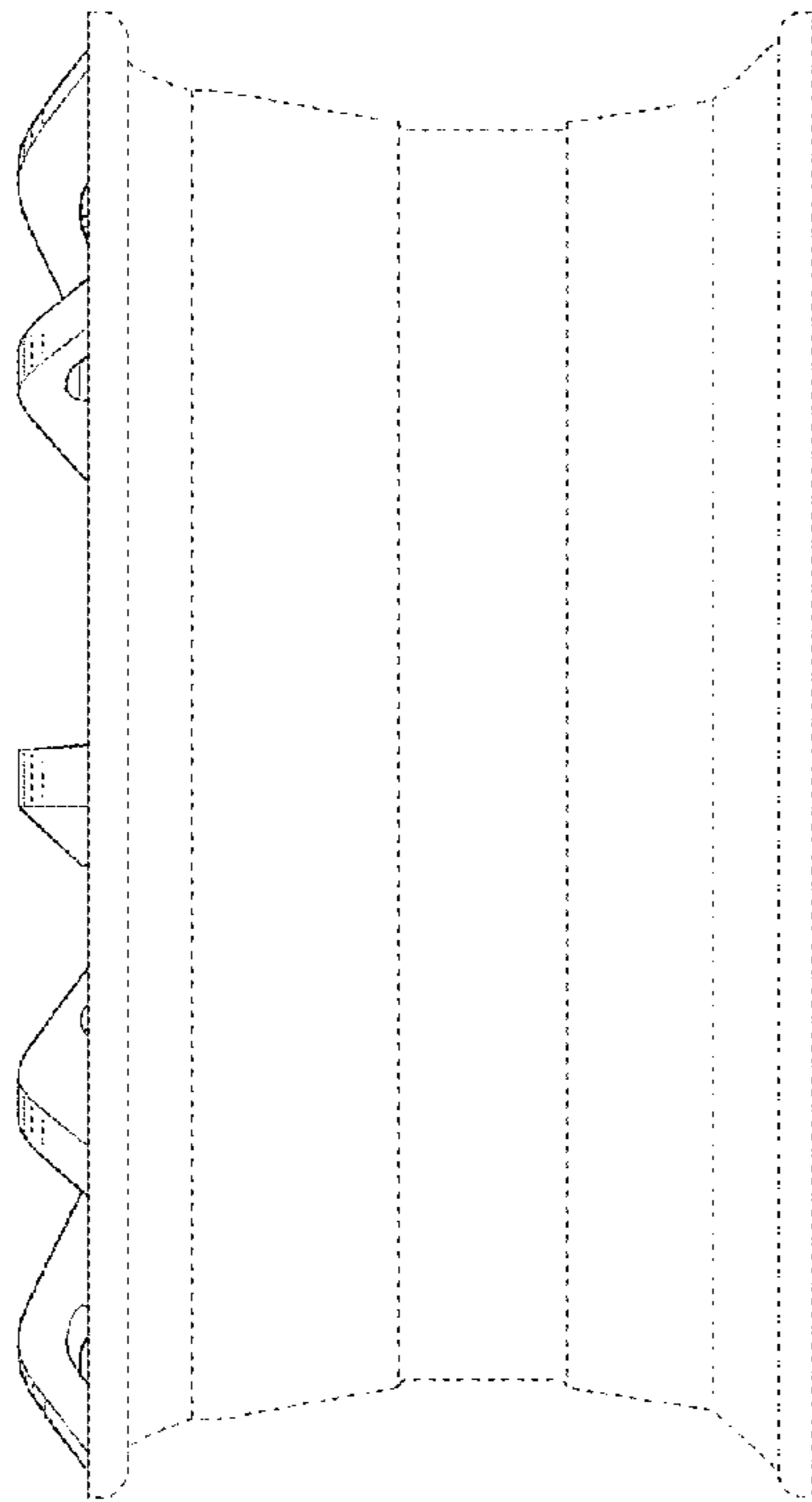


FIG.4

