



US00D751964S

(12) **United States Design Patent**  
**Buck et al.**

(10) **Patent No.:** **US D751,964 S**  
(45) **Date of Patent:** **\*\* Mar. 22, 2016**

(54) **VEHICLE REAR BODY PANEL COVER**

(71) Applicant: **Jaguar Land Rover Limited**, Coventry (GB)

(72) Inventors: **Joe Buck**, Coventry (GB); **Adam Setter**, Coventry (GB)

(73) Assignee: **Jaguar Land Rover Limited** (GB)

(\*\*) Term: **14 Years**

(21) Appl. No.: **29/512,884**

(22) Filed: **Dec. 23, 2014**

(30) **Foreign Application Priority Data**

Jun. 24, 2014 (EM) ..... 002488965  
Jun. 24, 2014 (EM) ..... 002489013

(51) **LOC (10) Cl.** ..... **12-16**

(52) **U.S. Cl.**  
USPC ..... **D12/196**

(58) **Field of Classification Search**  
USPC ..... D12/196, 90-92, 86; 296/181.1, 181.5  
CPC .... B62D 35/001; B62D 31/003; B62D 24/02;  
B62D 25/08; B62D 33/00; B62D 25/06  
See application file for complete search history.

(56) **References Cited**

U.S. PATENT DOCUMENTS

D669,407 S *	10/2012	Varga .....	D12/196
D670,203 S *	11/2012	Weil .....	D12/92
D672,697 S *	12/2012	Saracoglu .....	D12/196
D672,698 S *	12/2012	Saracoglu .....	D12/196
D701,154 S *	3/2014	Saracoglu .....	D12/196
D710,284 S *	8/2014	Larson .....	D12/196
D736,674 S *	8/2015	Larson .....	D12/92

\* cited by examiner

*Primary Examiner* — Melody Brown

(74) *Attorney, Agent, or Firm* — Fishman Stewart PLLC

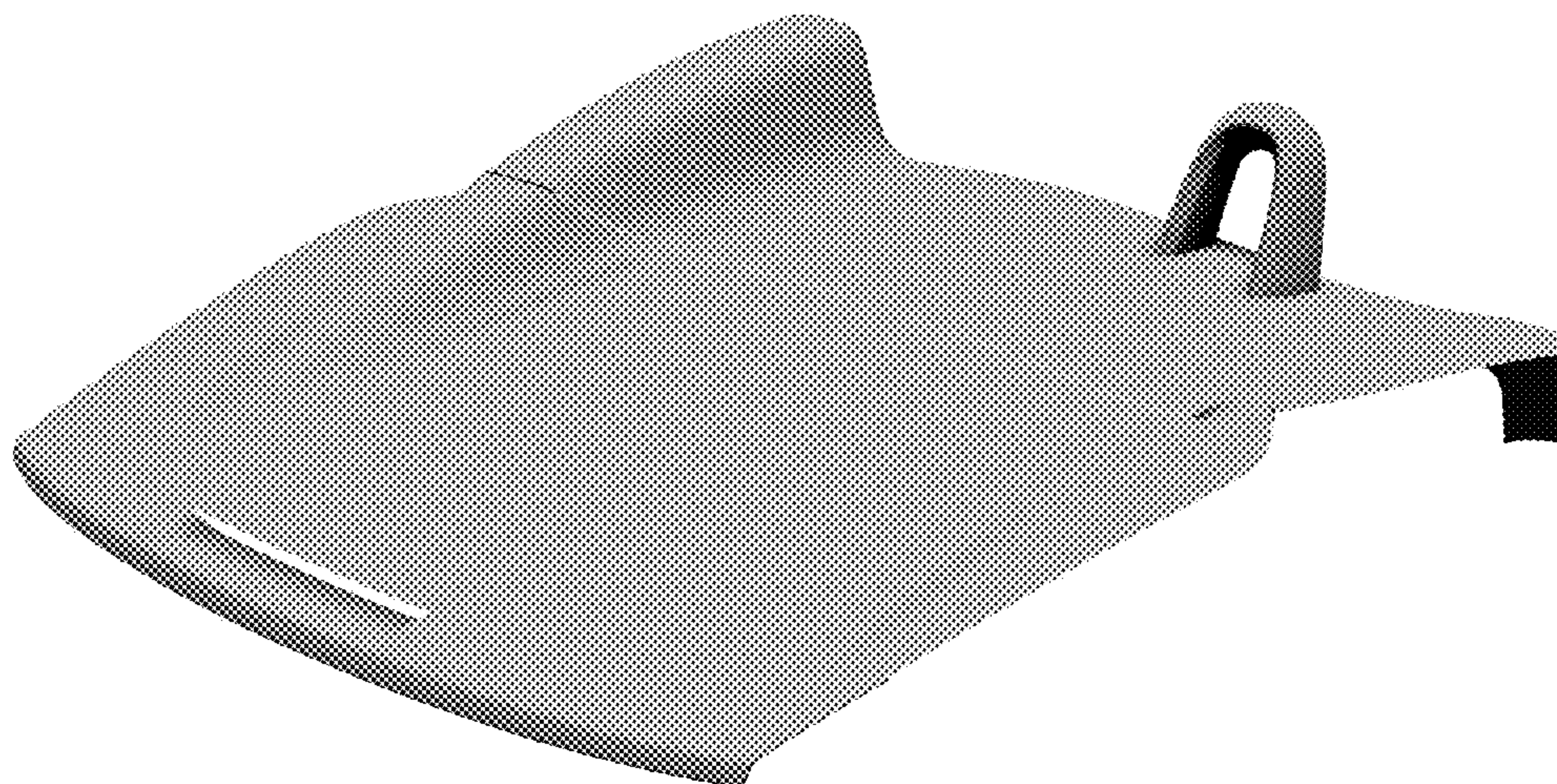
(57) **CLAIM**

The ornamental design for a vehicle rear body panel cover, as shown and described.

**DESCRIPTION**

FIG. 1 is a front perspective view of a vehicle rear body panel cover;  
FIG. 2 is a rear perspective view of a vehicle rear body panel cover;  
FIG. 3 is a front view of a vehicle rear body panel cover;  
FIG. 4 is a rear view of a vehicle rear body panel cover;  
FIG. 5 is a left side view of a vehicle rear body panel cover;  
FIG. 6 is a right side view of a vehicle rear body panel cover;  
FIG. 7 is a top view of a vehicle rear body panel cover; and,  
FIG. 8 is another rear perspective view of a vehicle rear body panel cover in the installed position on a vehicle. Portions of the the vehicle in FIG. 8 shown in diagonal lines are for illustrative purposes only and form no part of the claimed design.

**1 Claim, 5 Drawing Sheets**



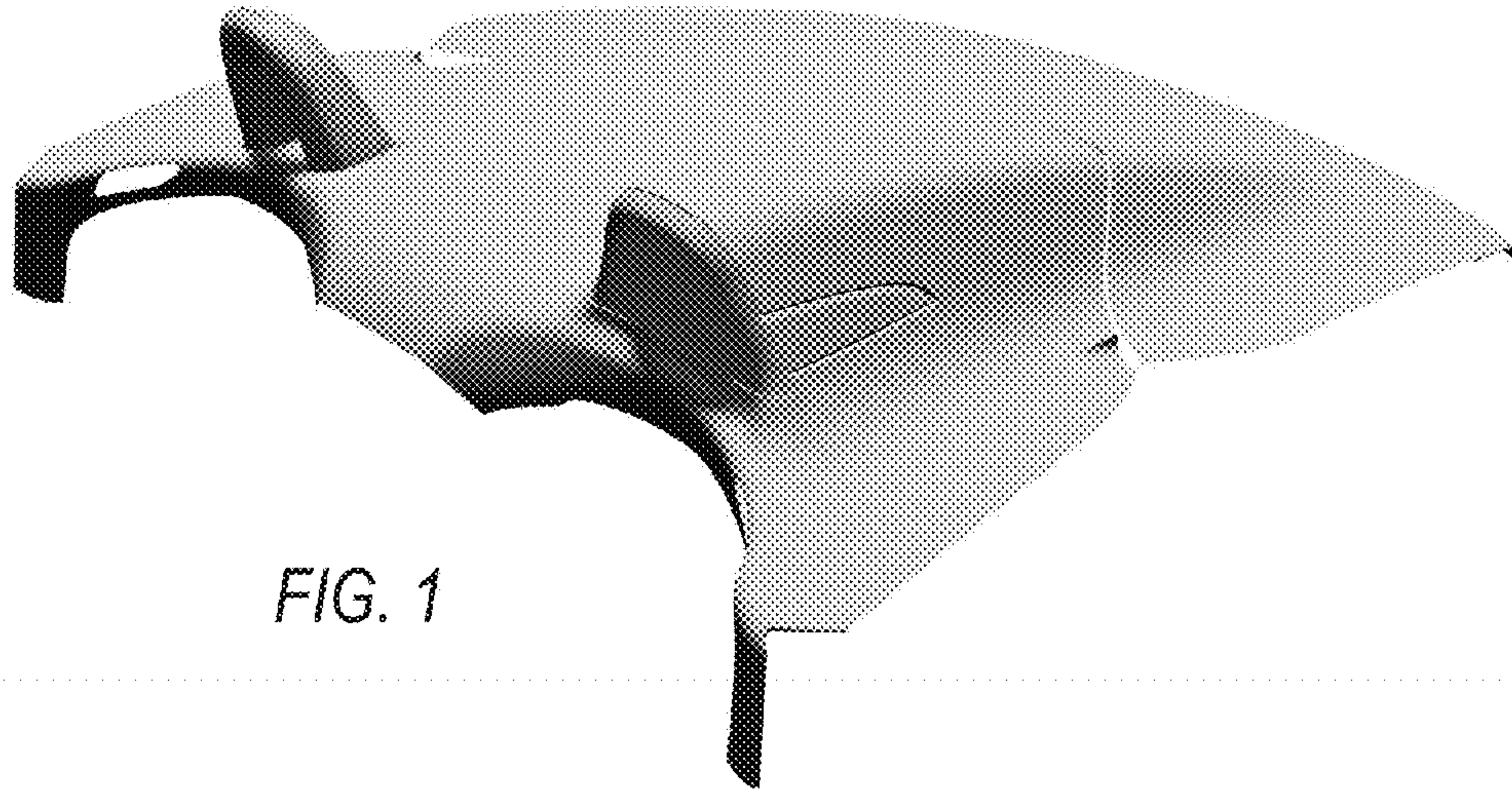


FIG. 1

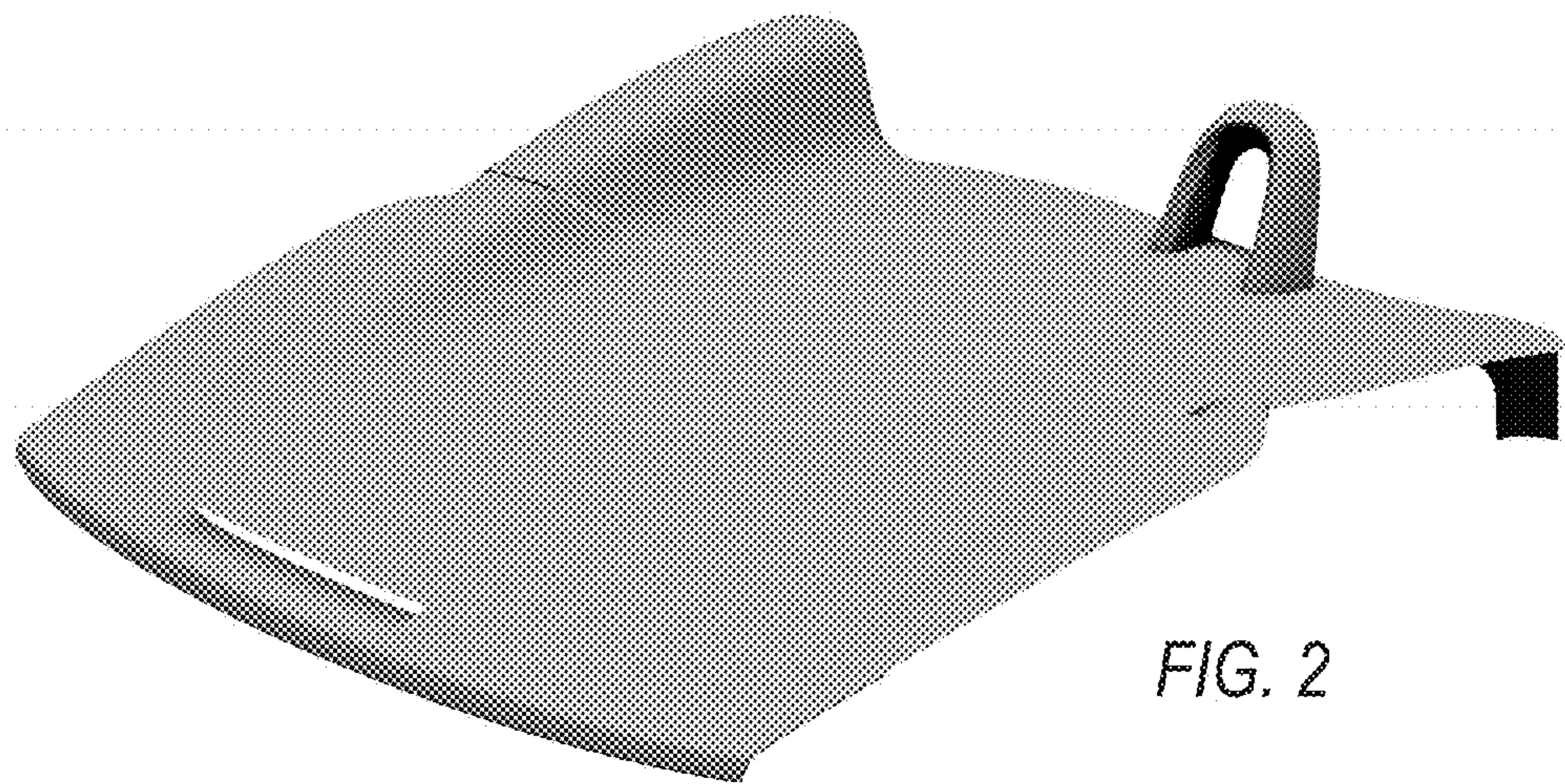


FIG. 2



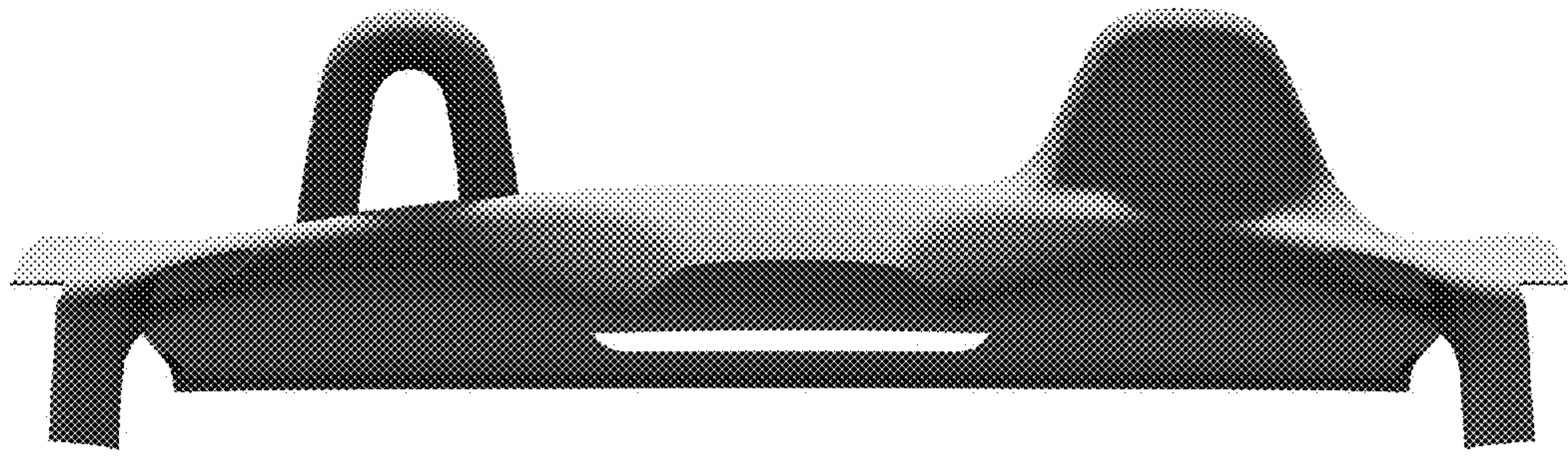


FIG. 3

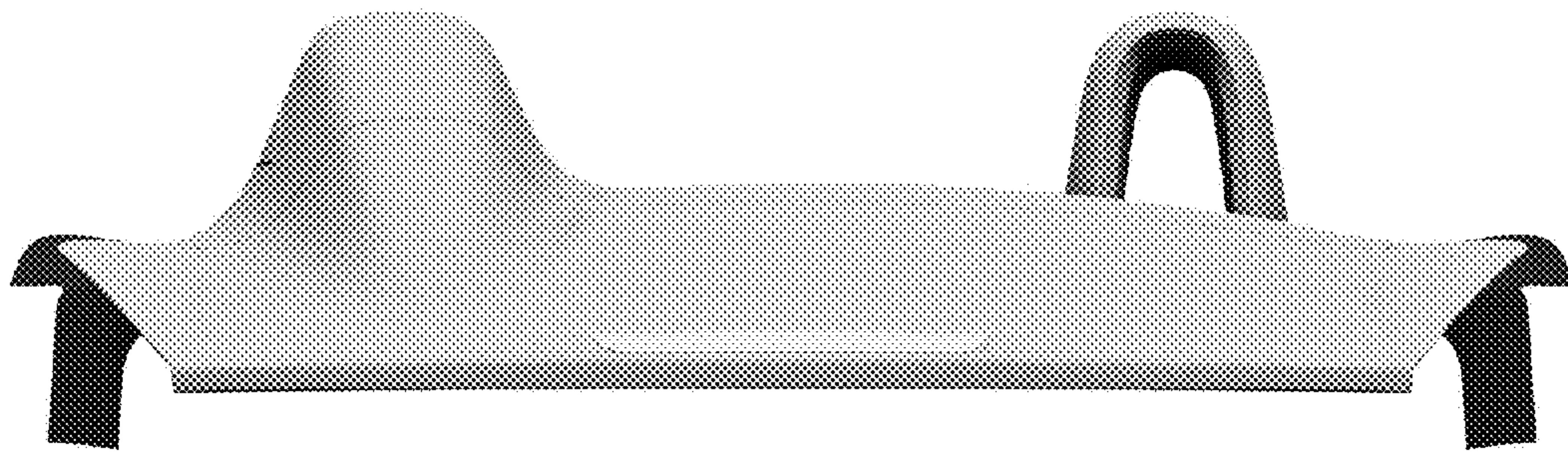


FIG. 4

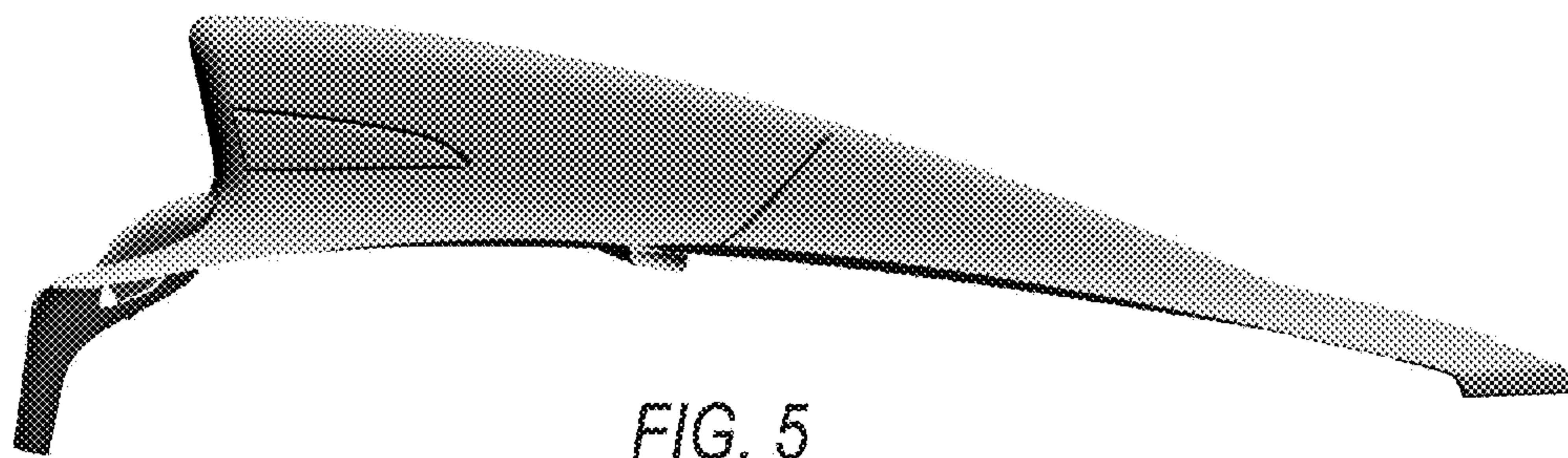


FIG. 5

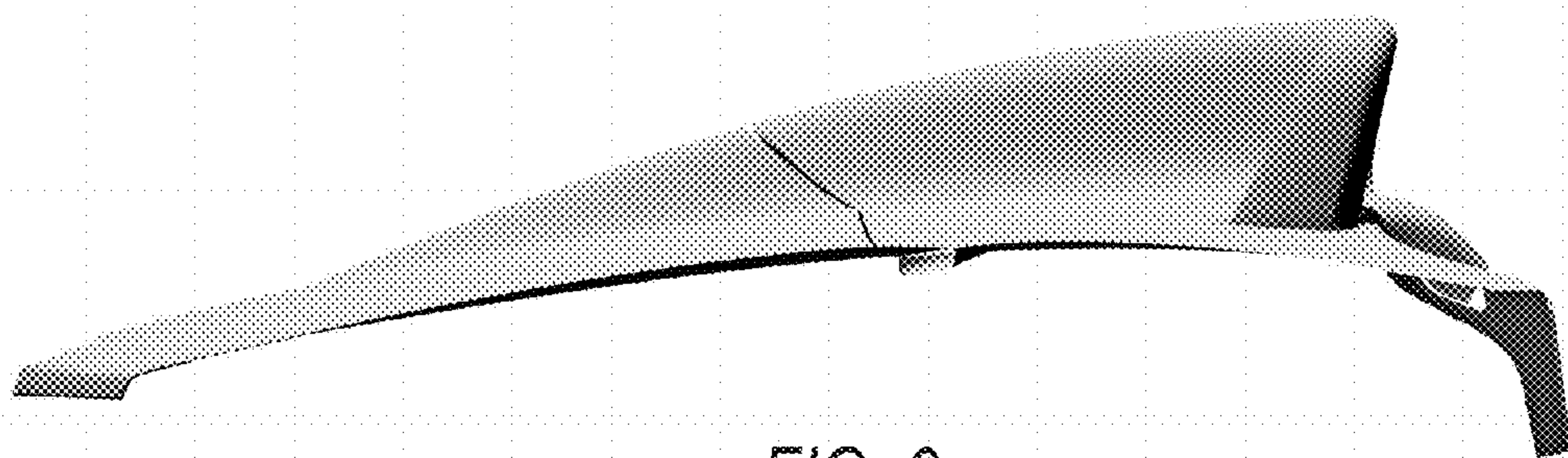


FIG. 6





FIG. 7



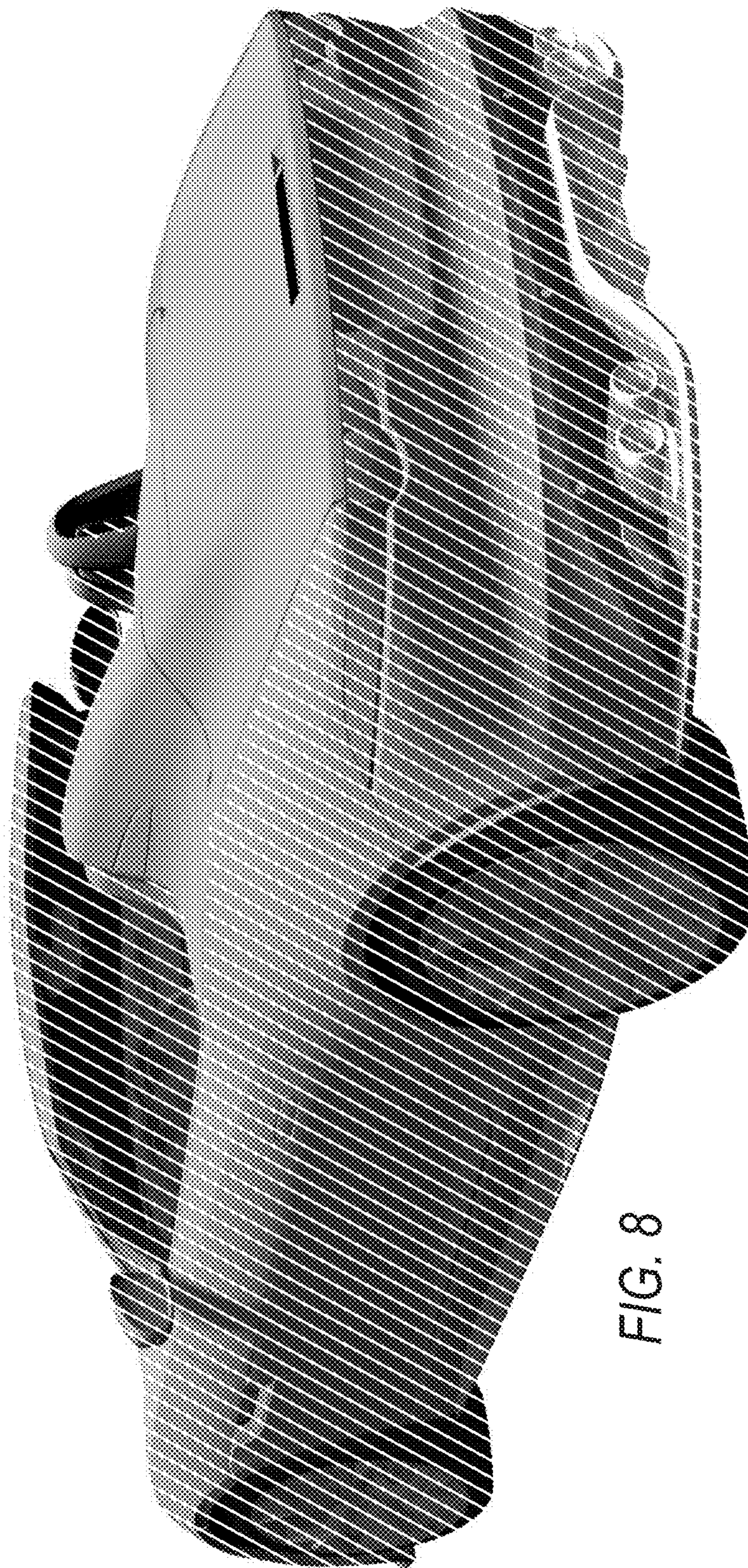


FIG. 8