



US00D751961S

(12) **United States Design Patent**  
**Curic et al.**

(10) **Patent No.:** **US D751,961 S**  
(45) **Date of Patent:** **\*\* Mar. 22, 2016**

- (54) **VEHICLE FRONT UPPER GRILLE TRIM**
- (71) Applicant: **Ford Motor Company**, Dearborn, MI (US)
- (72) Inventors: **Kemal Curic**, West Bloomfield, MI (US); **Darrell Behmer**, Novi, MI (US); **Christopher Svensson**, Clemsford (GB); **Moray Callum**, Ann Arbor, MI (US); **Joel Piaskowski**, Dusseldorf (DE)
- (73) Assignee: **Ford Motor Company**, Dearborn, MI (US)
- (\*\*) Term: **14 Years**
- (21) Appl. No.: **29/507,204**
- (22) Filed: **Oct. 24, 2014**
- (51) **LOC (10) Cl.** ..... **12-08**
- (52) **U.S. Cl.**  
USPC ..... **D12/190**; D12/163
- (58) **Field of Classification Search**  
USPC ..... D12/86, 90, 91, 92, 110, 114, 163, 169, D12/171, 190, 192, 199, 197, 400; D11/81, D11/133, 157, 172, 211; D15/31; D20/11, D20/23, 24, 25, 30, 31, 32; D25/119; D8/395; 180/68.1, 68.6; 293/103, 115, 293/117, 120, 193.1, 193.11  
CPC B60R 19/52; B60R 2019/525; B60K 11/085; B62D 25/084; H01Q 1/32  
See application file for complete search history.

- D596,540 S \* 7/2009 Hayashi ..... D12/163
- D637,127 S \* 5/2011 Faghihzadeh ..... D12/190
- D646,611 S \* 10/2011 Schell ..... D12/190
- D660,753 S \* 5/2012 Faghihzadeh ..... D12/190
- D669,406 S \* 10/2012 Tomatsu ..... D12/190
- D692,358 S \* 10/2013 Nakamuta ..... D12/190
- D692,814 S \* 11/2013 Platto ..... D12/190
- D699,647 S \* 2/2014 Jensen ..... D12/181
- D705,141 S \* 5/2014 Jensen ..... D12/181
- D725,555 S \* 3/2015 Wolff ..... D12/163
- D740,184 S \* 10/2015 Blanski ..... D12/163
- D740,185 S \* 10/2015 Blanski ..... D12/163

**OTHER PUBLICATIONS**

“GrillCraft Hood Scoop Grill Black”—Rally Sport Direct., Oct. 8, 2013 [online], [retrieved on Oct. 8, 2015]. Retrieved from the Internet <URL: <http://www.rallysportdirect.com/shop/product/gri-sub1722b-grillcraft-hood-scoop-grill-black>>.\*

(Continued)

*Primary Examiner* — Philip S Hyder  
*Assistant Examiner* — Darlington Ly  
(74) *Attorney, Agent, or Firm* — LeClairRyan

(57) **CLAIM**  
The ornamental design for a vehicle front upper grille trim, as shown and described.

**DESCRIPTION**

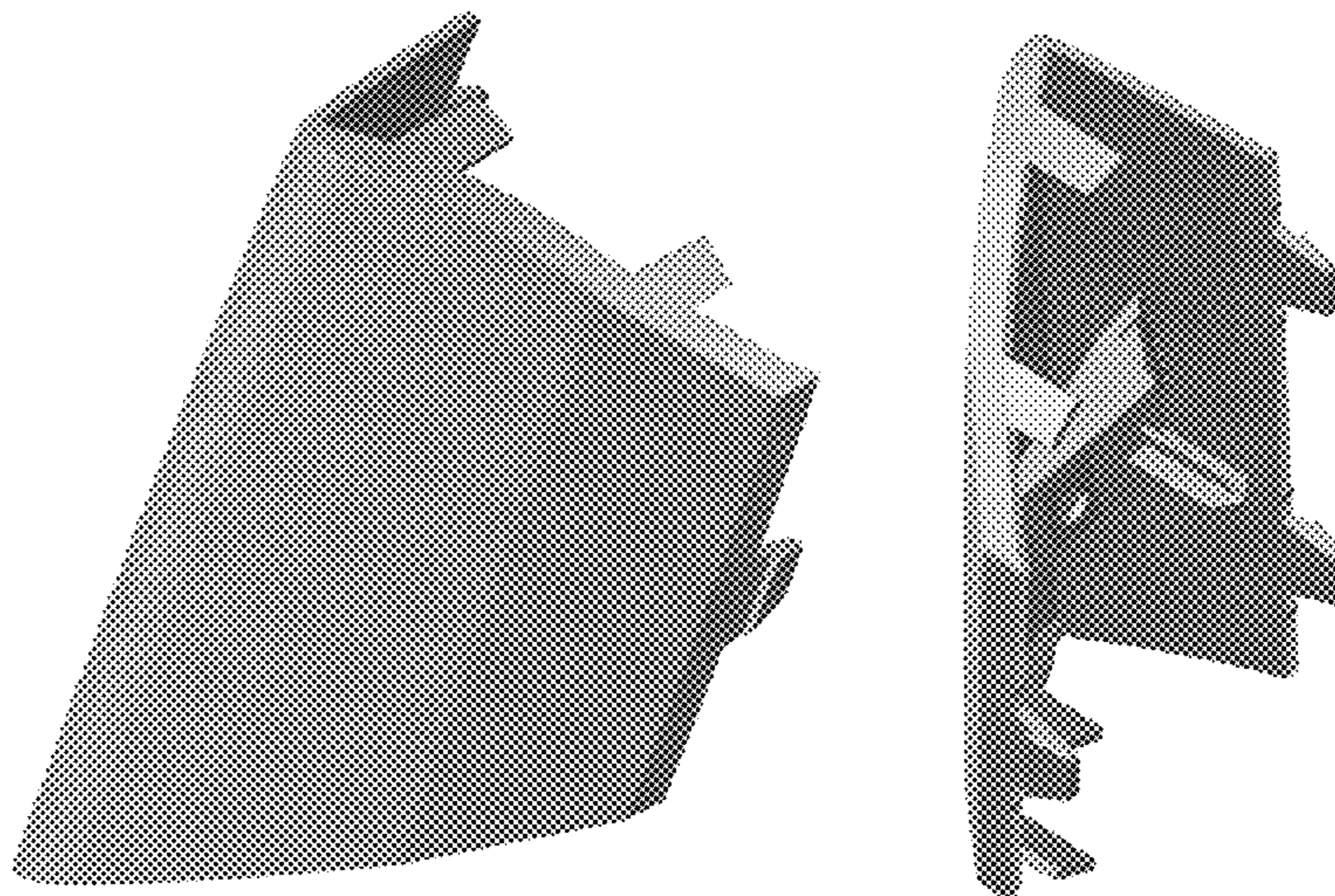
FIG. 1 is a top and front perspective view of the vehicle front upper grille trim showing our new design; FIG. 2 is a top right perspective view thereof; FIG. 3 is a top rear perspective view thereof; FIG. 4 is a front elevational view thereof; FIG. 5 is a rear elevational view thereof; FIG. 6 is a left side elevational view thereof; FIG. 7 is a right side elevational view thereof; FIG. 8 is a top plan view thereof; and, FIG. 9 is a bottom plan view thereof.

**1 Claim, 9 Drawing Sheets**

(56) **References Cited**

**U.S. PATENT DOCUMENTS**

- D147,607 S \* 10/1947 Bannister ..... D12/171
- D422,957 S \* 4/2000 Damon ..... D12/196
- D424,495 S \* 5/2000 Damon ..... D12/196
- D424,496 S \* 5/2000 Damon ..... D12/196
- D579,385 S \* 10/2008 Schiavone ..... D12/163



(56)

**References Cited**

OTHER PUBLICATIONS

Ronan Glon. Ford Reveals one-off F-35-Inspired 2015 Mustang GT. Jul. 25, 2014 [online], [retrieved on Aug. 27, 2014] Retrieved from the Internet <URL: <http://www.leftlanenews.com/ford-mustang-gt-f-35-lightening-ii-edition.html>>.

2016 Ford Mustang SVT Spied Ring testing once again. [retrieved on Aug. 27, 2014] Retrieved from the Internet <URL: <http://www.worldcarfans.com/114071878374/2013-ford-mustang-svt-spied-ring-testing-once-again.html>>.

\* cited by examiner



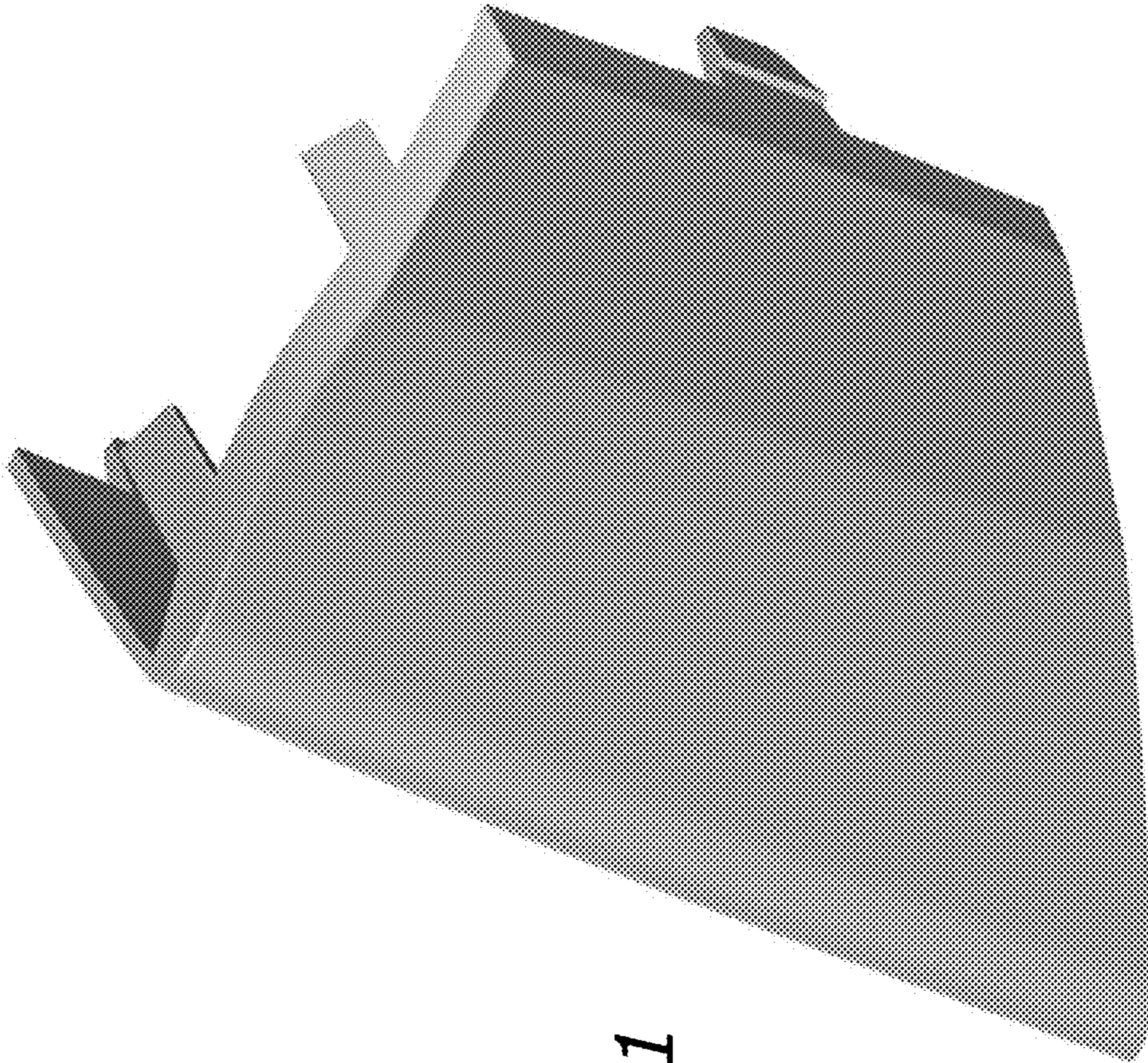
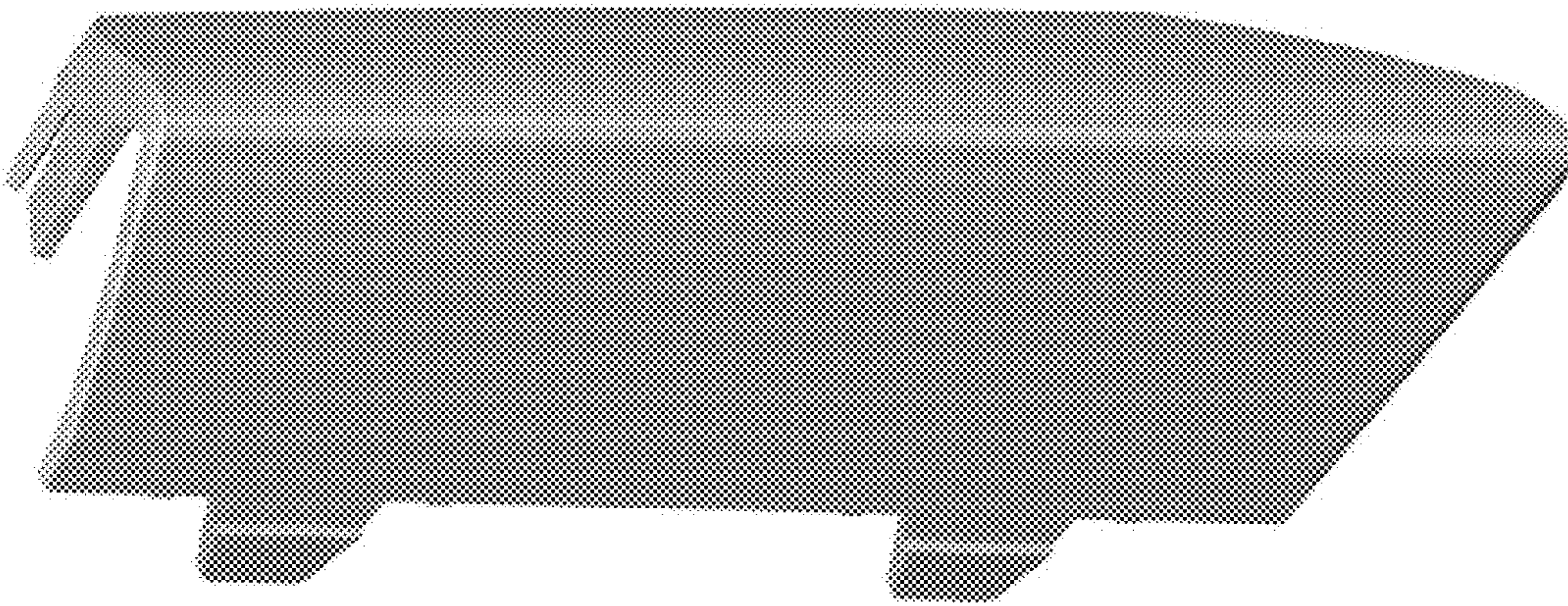


Figure 1

Figure 2





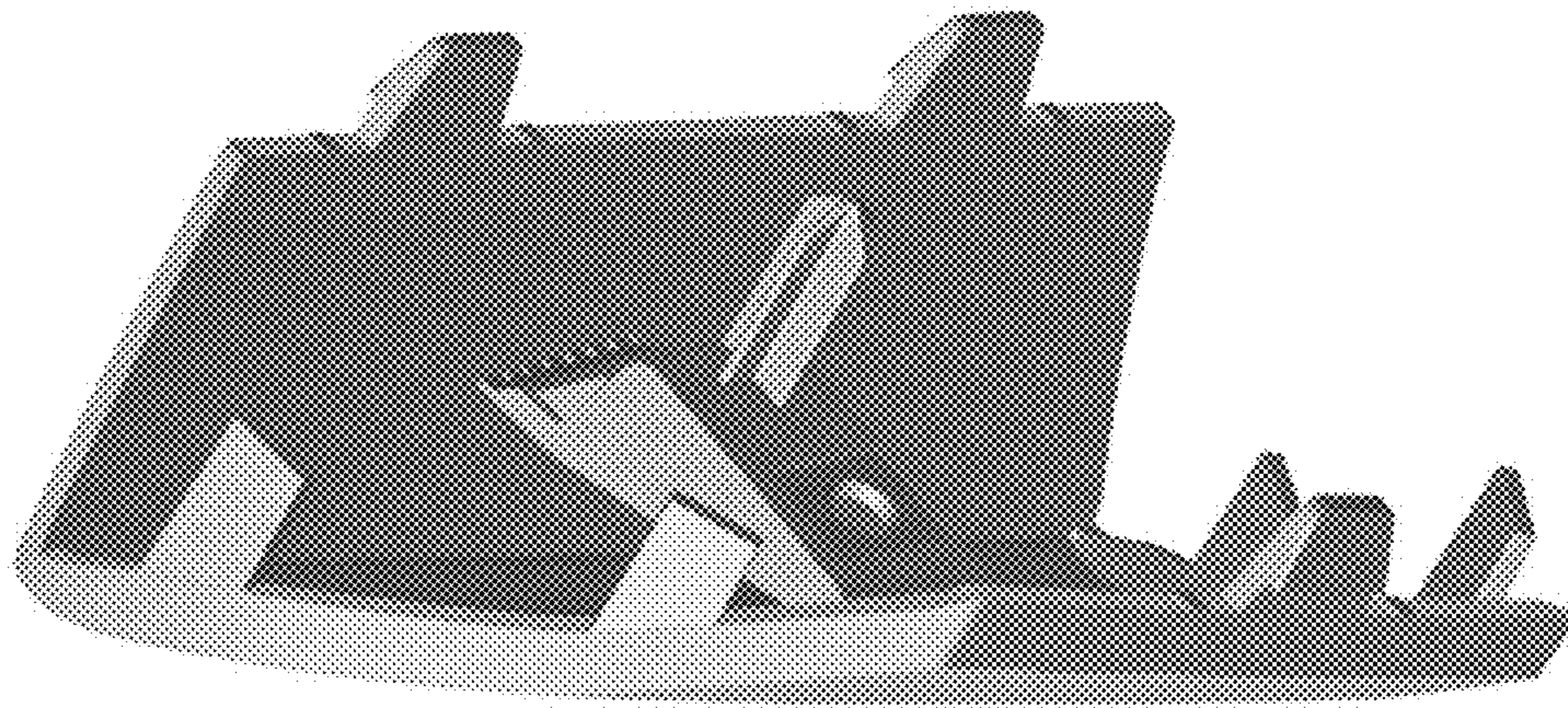


Figure 3

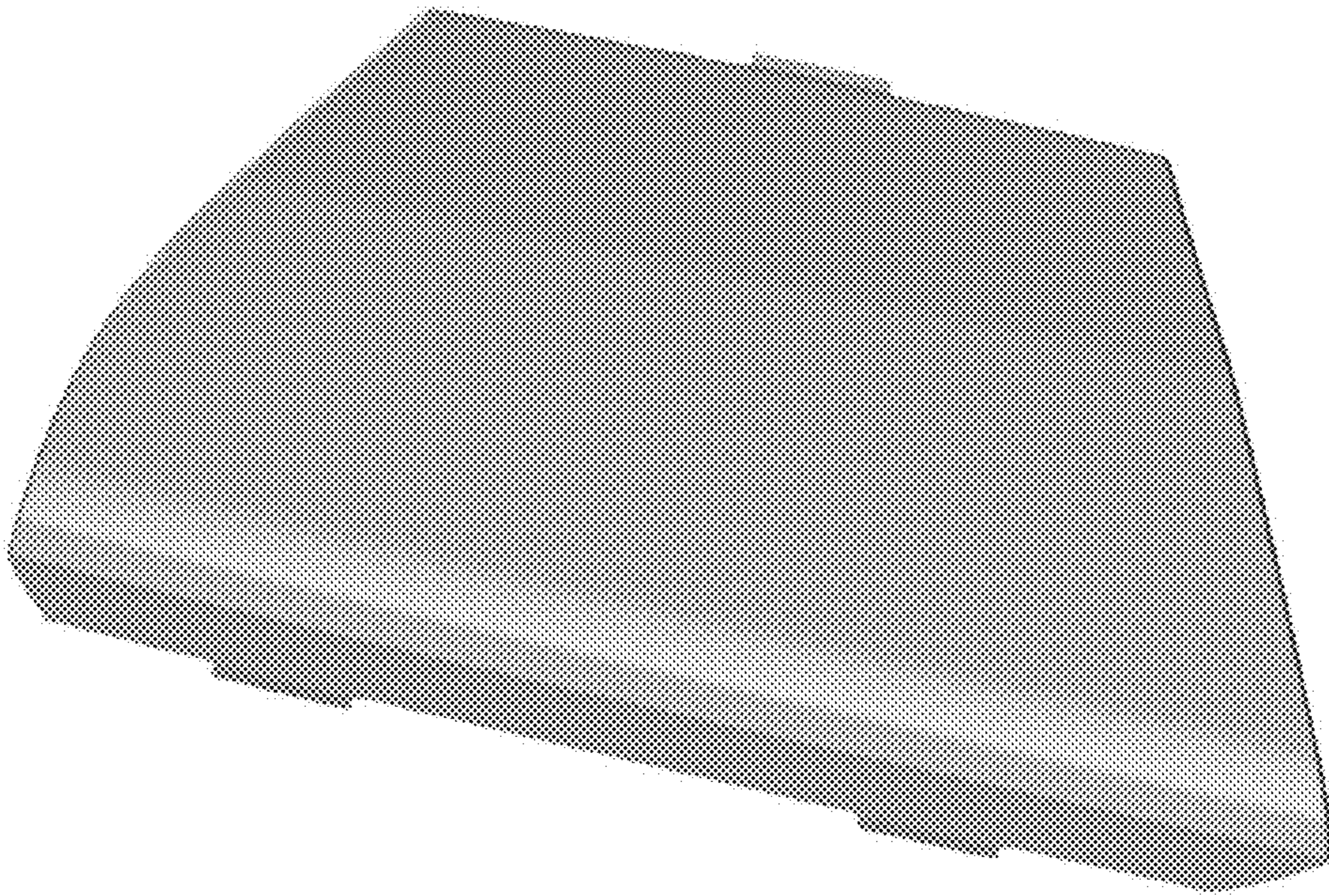


Figure 4



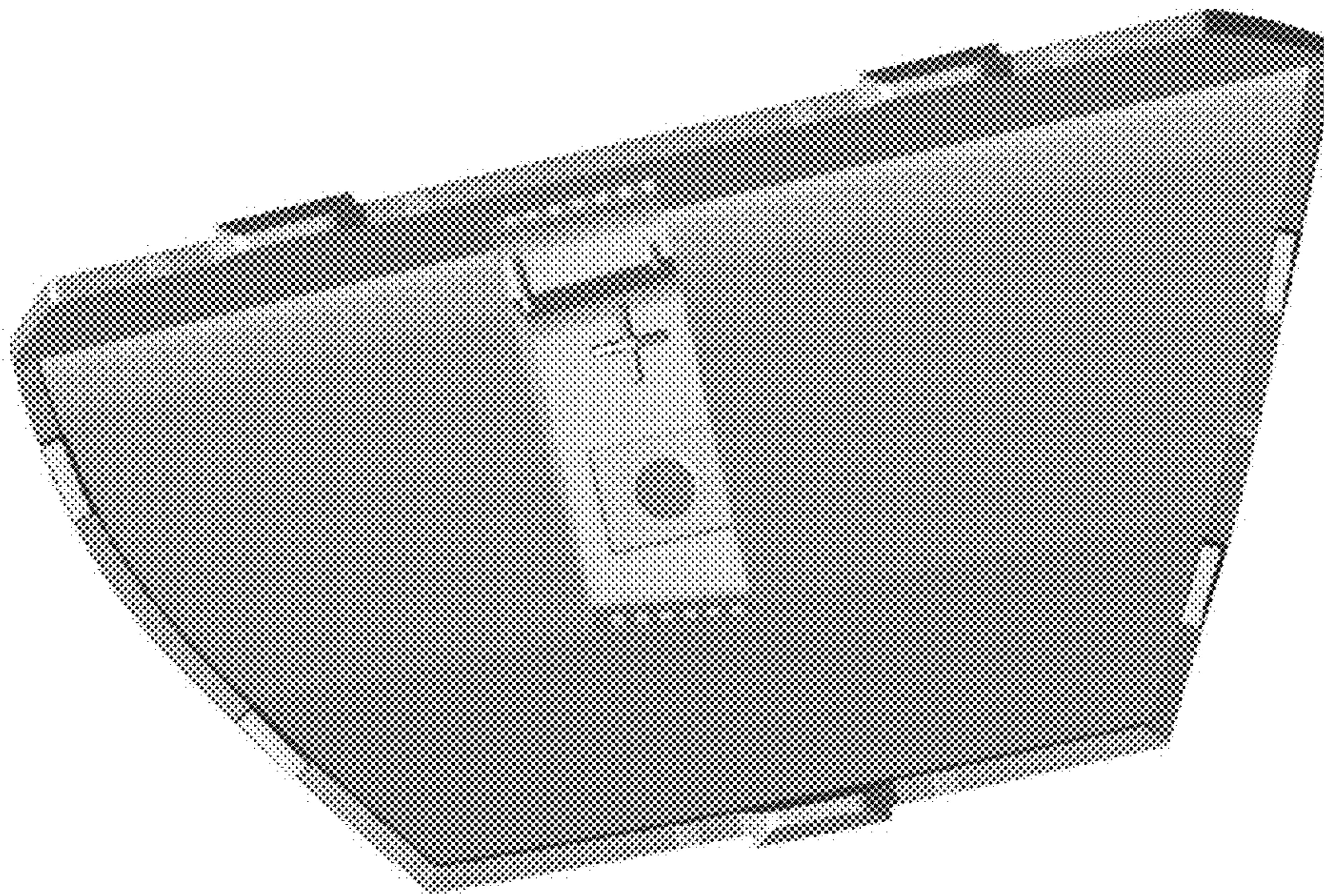


Figure 5

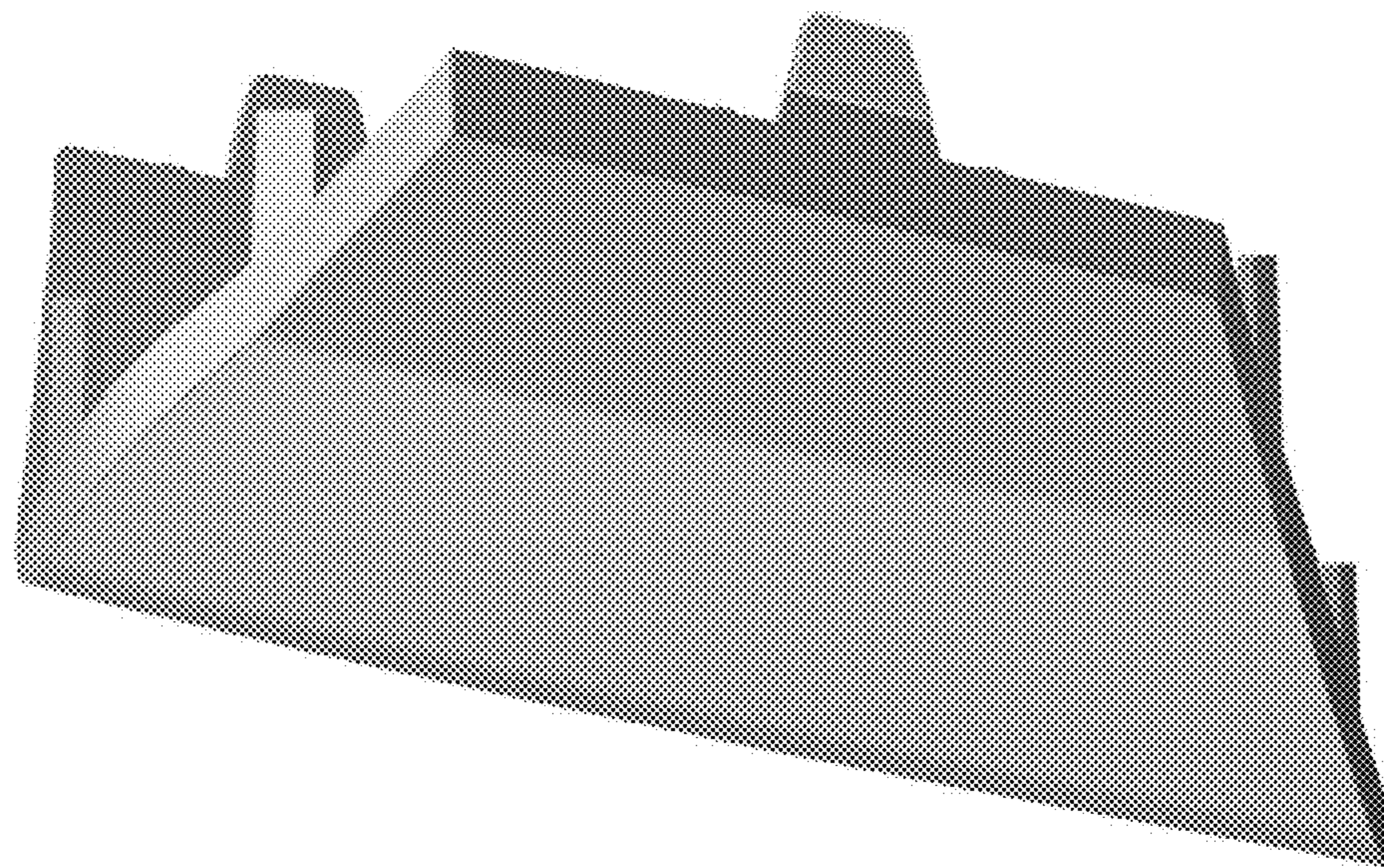


Figure 6



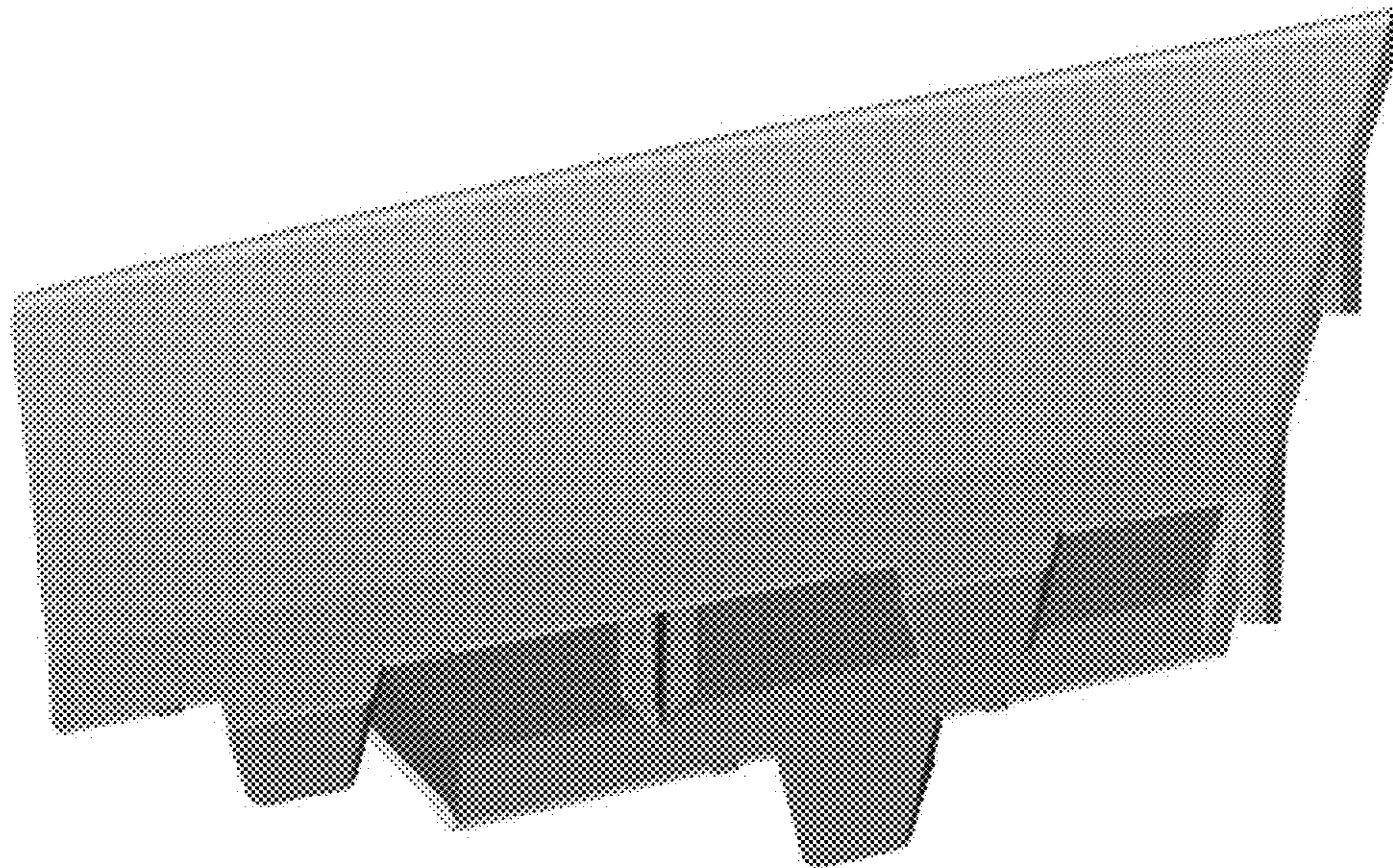


Figure 7

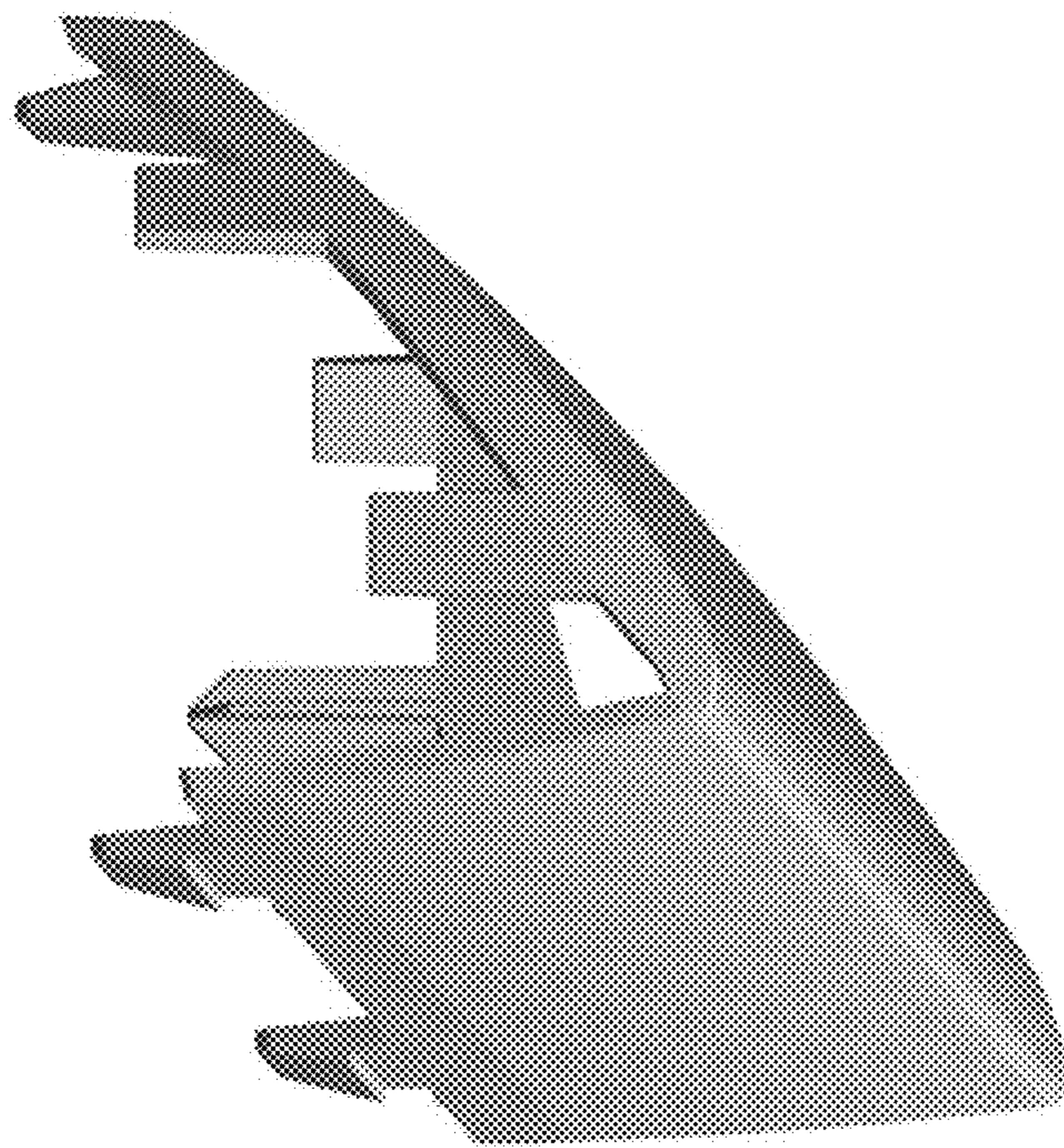


Figure 8



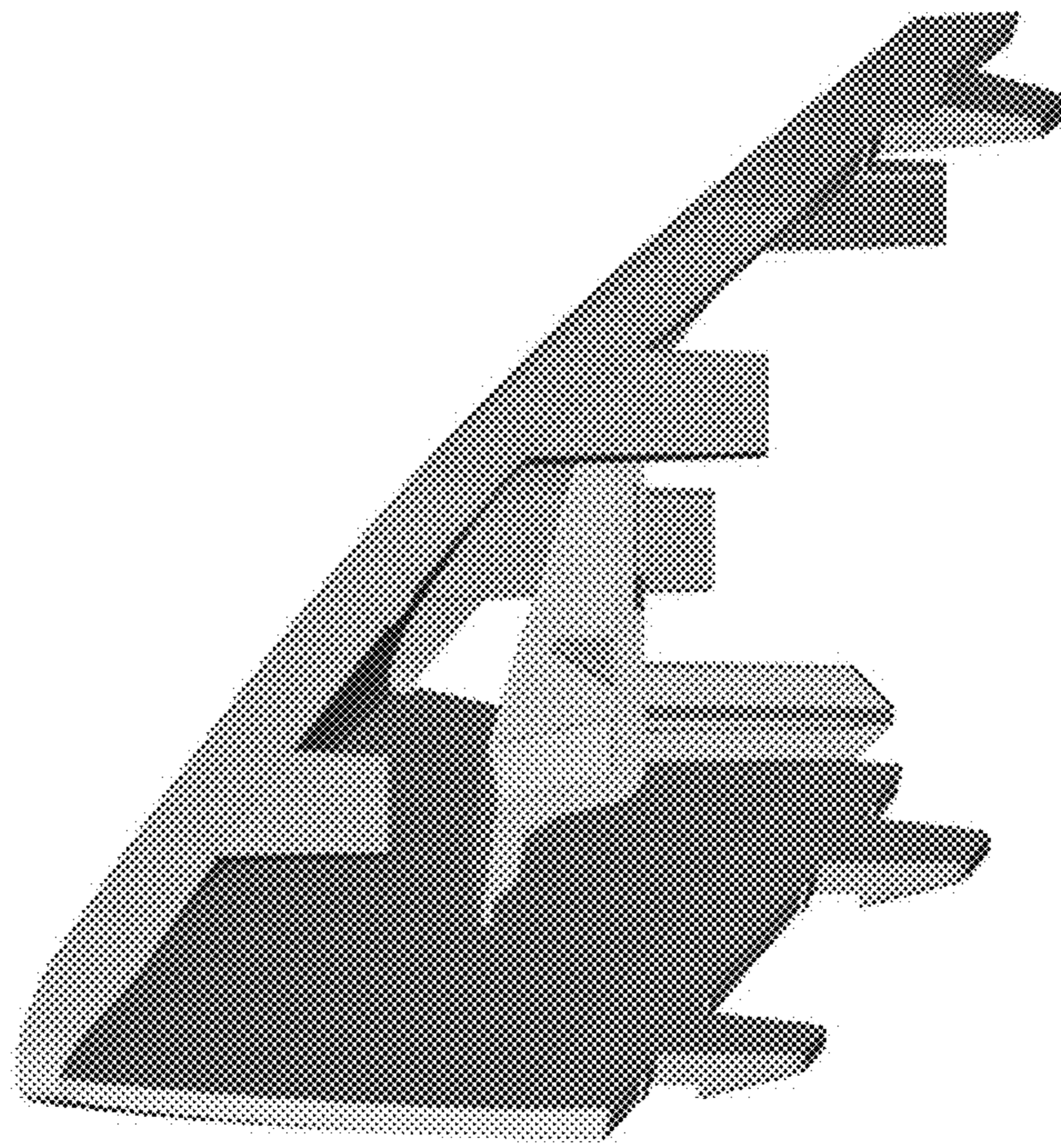


Figure 9