



US00D751960S

(12) **United States Design Patent**  
**Fontaeus**

(10) **Patent No.:** **US D751,960 S**  
(45) **Date of Patent:** **\*\* Mar. 22, 2016**

(54) **VEHICLE COMPONENT**

(71) Applicant: **Jaguar Land Rover Limited**, Coventry (GB)

(72) Inventor: **Pontus Fontaeus**, Coventry (GB)

(73) Assignee: **Jaguar Land Rover Limited** (GB)

(\*\*) Term: **14 Years**

(21) Appl. No.: **29/501,018**

(22) Filed: **Aug. 29, 2014**

(30) **Foreign Application Priority Data**

Mar. 5, 2014 (EM) ..... 002417907

(51) **LOC (10) Cl.** ..... **12-08**

(52) **U.S. Cl.**  
USPC ..... **D12/190**

(58) **Field of Classification Search**  
USPC ..... D12/190, 106, 181, 191, 196, 400, 88  
CPC ..... B60R 13/02; B60R 13/04  
See application file for complete search history.

(56) **References Cited**

**U.S. PATENT DOCUMENTS**

D539,212 S \* 3/2007 Maezono ..... D12/418  
D580,345 S \* 11/2008 Paxton ..... D12/418

D592,585 S \* 5/2009 Moburg ..... D12/418  
D615,469 S \* 5/2010 Huang ..... D12/190  
D663,387 S \* 7/2012 Mjelde ..... D23/261  
D718,198 S \* 11/2014 Burgess ..... D12/190  
D724,003 S \* 3/2015 Fonseca ..... D12/418  
2005/0202774 A1\* 9/2005 Lipke ..... B60H 1/247  
454/137  
2008/0061604 A1\* 3/2008 Tiesler ..... B60H 1/0055  
296/214  
2008/0265629 A1\* 10/2008 Fry ..... B60R 11/02  
296/214

\* cited by examiner

*Primary Examiner* — Katrina A Betton

(74) *Attorney, Agent, or Firm* — Fishman Stewart PLLC

(57) **CLAIM**

The ornamental design for a vehicle component, as shown and described.

**DESCRIPTION**

FIG. 1 is a bottom perspective view of a vehicle component; FIG. 2 is a front view of a vehicle component; FIG. 3 is a left side view of a vehicle component; FIG. 4 is a right side view of a vehicle component; FIG. 5 is a top view of a vehicle component; and, FIG. 6 is a bottom view of a vehicle component.

**1 Claim, 5 Drawing Sheets**

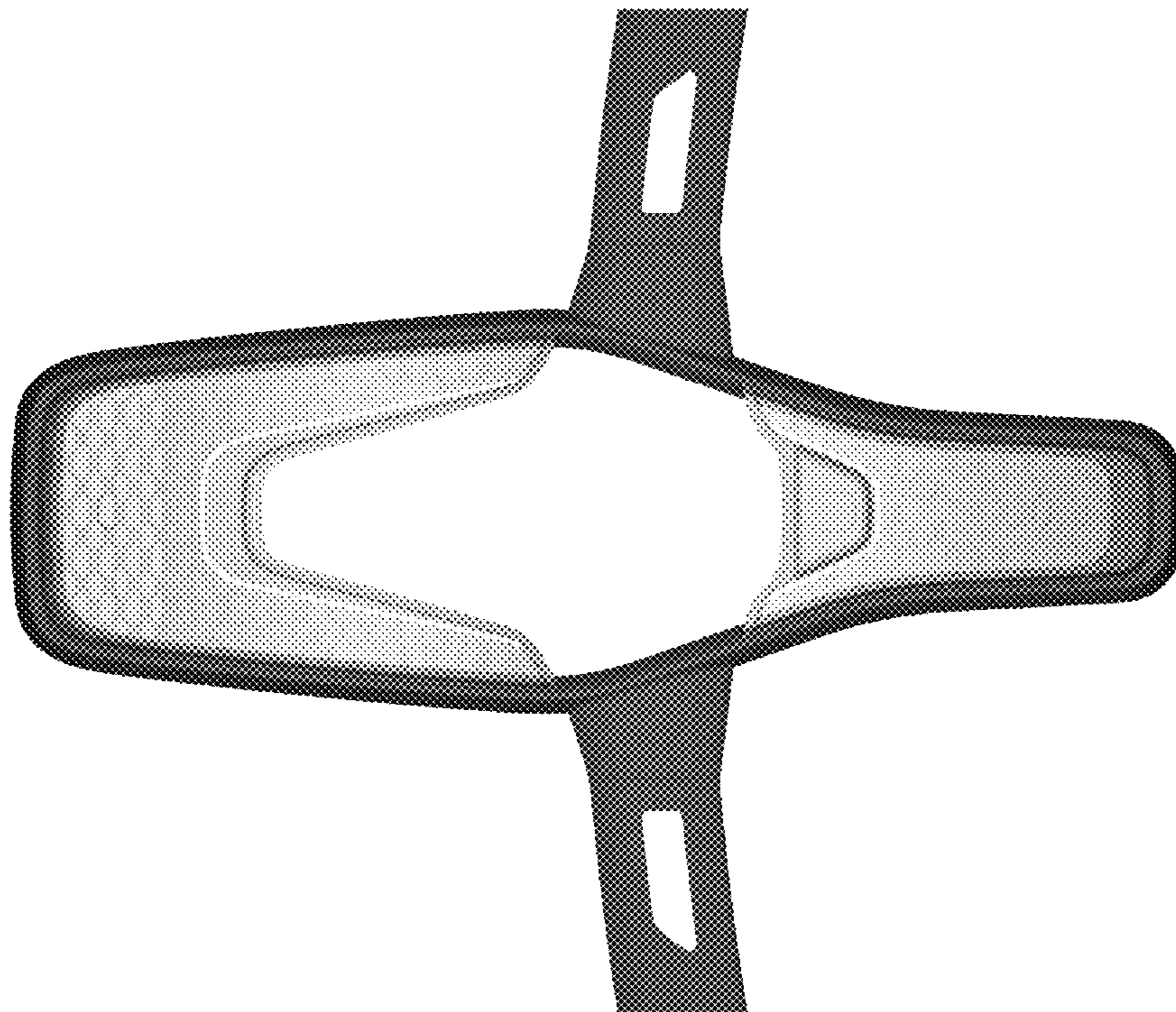




FIG. 1

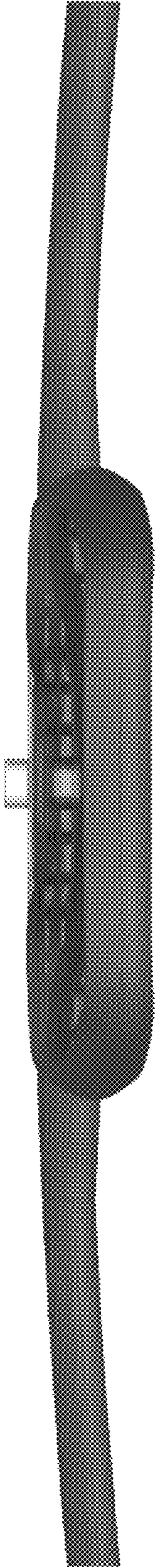


FIG. 2

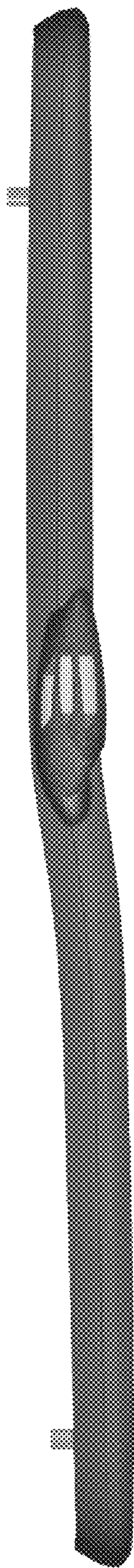


FIG. 3

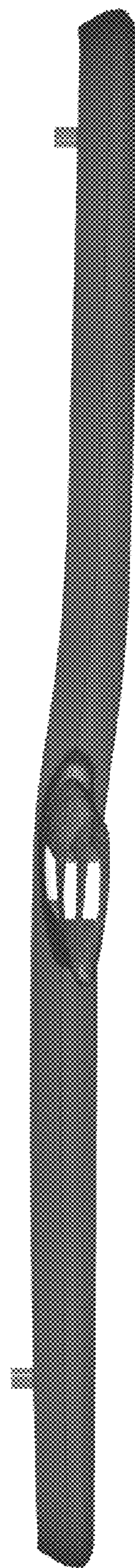


FIG. 4

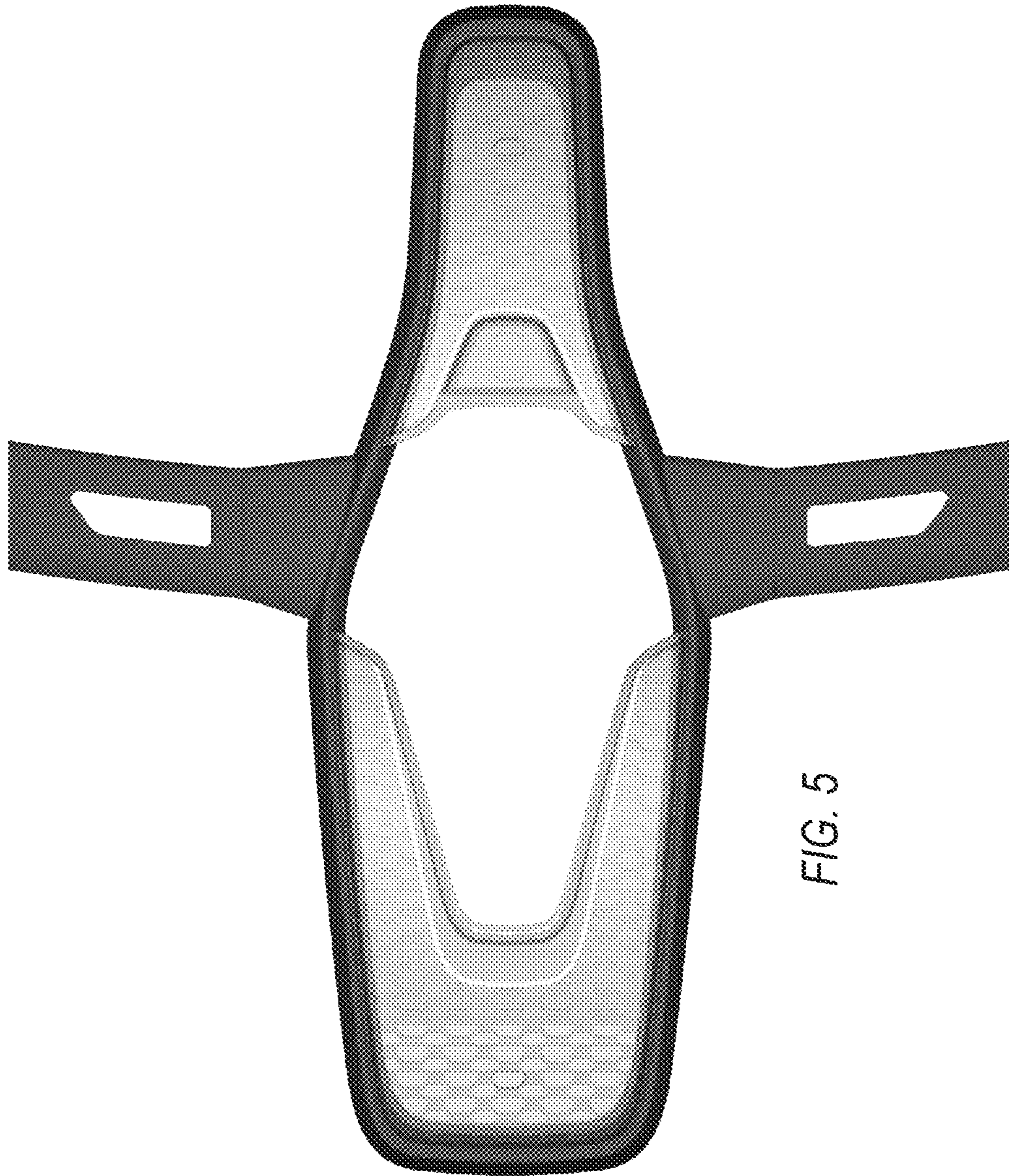


FIG. 5

