



US00D751958S

(12) **United States Design Patent**  
**Tomatsu et al.**

(10) **Patent No.:** **US D751,958 S**  
(45) **Date of Patent:** **\*\* Mar. 22, 2016**

(54) **BUMPER FOR AN AUTOMOBILE**

(56) **References Cited**

(71) Applicants: **Nobuyuki Tomatsu**, Nagoya (JP); **Yuri Kim**, Toyota (JP); **Satoshi Kimura**, Nagakute (JP)

(72) Inventors: **Nobuyuki Tomatsu**, Nagoya (JP); **Yuri Kim**, Toyota (JP); **Satoshi Kimura**, Nagakute (JP)

(73) Assignee: **Toyota Jidosha Kabushiki Kaisha** (JP)

(\*\*) Term: **14 Years**

(21) Appl. No.: **29/526,113**

(22) Filed: **May 6, 2015**

U.S. PATENT DOCUMENTS

D620,850	S	*	8/2010	Sakae	.....	D12/169
D637,533	S	*	5/2011	Miyazawa	.....	D12/169
D640,614	S	*	6/2011	Kumai	.....	D12/169
D664,904	S	*	8/2012	Koyama	.....	D12/169
D666,129	S	*	8/2012	Iida	.....	D12/163
D667,353	S	*	9/2012	Tomatsu	.....	D12/169
D680,472	S	*	4/2013	Kido	.....	D12/163
D696,611	S	*	12/2013	Kwon	.....	D12/169
D697,458	S	*	1/2014	Won	.....	D12/169
D710,265	S	*	8/2014	Sakae	.....	D12/169
D715,709	S	*	10/2014	Matsumoto	.....	D12/169
D737,182	S	*	8/2015	Takei	.....	D12/169

OTHER PUBLICATIONS

U.S. Appl. No. 29/525,742, Hirai et al.\*  
Lexus, Lexus RX 350 F-Sport, netcarshow.com <[http://www.netcarshow.com/lexus/2013-rx\\_350\\_f\\_sport/800x600/wallpaper\\_02.htm](http://www.netcarshow.com/lexus/2013-rx_350_f_sport/800x600/wallpaper_02.htm)>, available at least as early as May 30, 2013.

(Continued)

**Related U.S. Application Data**

(62) Division of application No. 29/482,944, filed on Feb. 24, 2014, now Pat. No. Des. 737,737.

**Foreign Application Priority Data**

Sep. 2, 2013	(JP)	.....	2013-020189
Sep. 2, 2013	(JP)	.....	2013-020190
Sep. 2, 2013	(JP)	.....	2013-020191

(51) **LOC (10) Cl.** ..... **12-16**

(52) **U.S. Cl.**  
USPC ..... **D12/169**

(58) **Field of Classification Search**  
USPC ..... D12/169, 216, 90-92, 86, 171, 196,  
D12/163; 293/102, 113, 115, 117, 120;  
296/180.1, 180.2  
CPC . B60R 19/52; B60R 2019/25; B62D 25/0845  
See application file for complete search history.

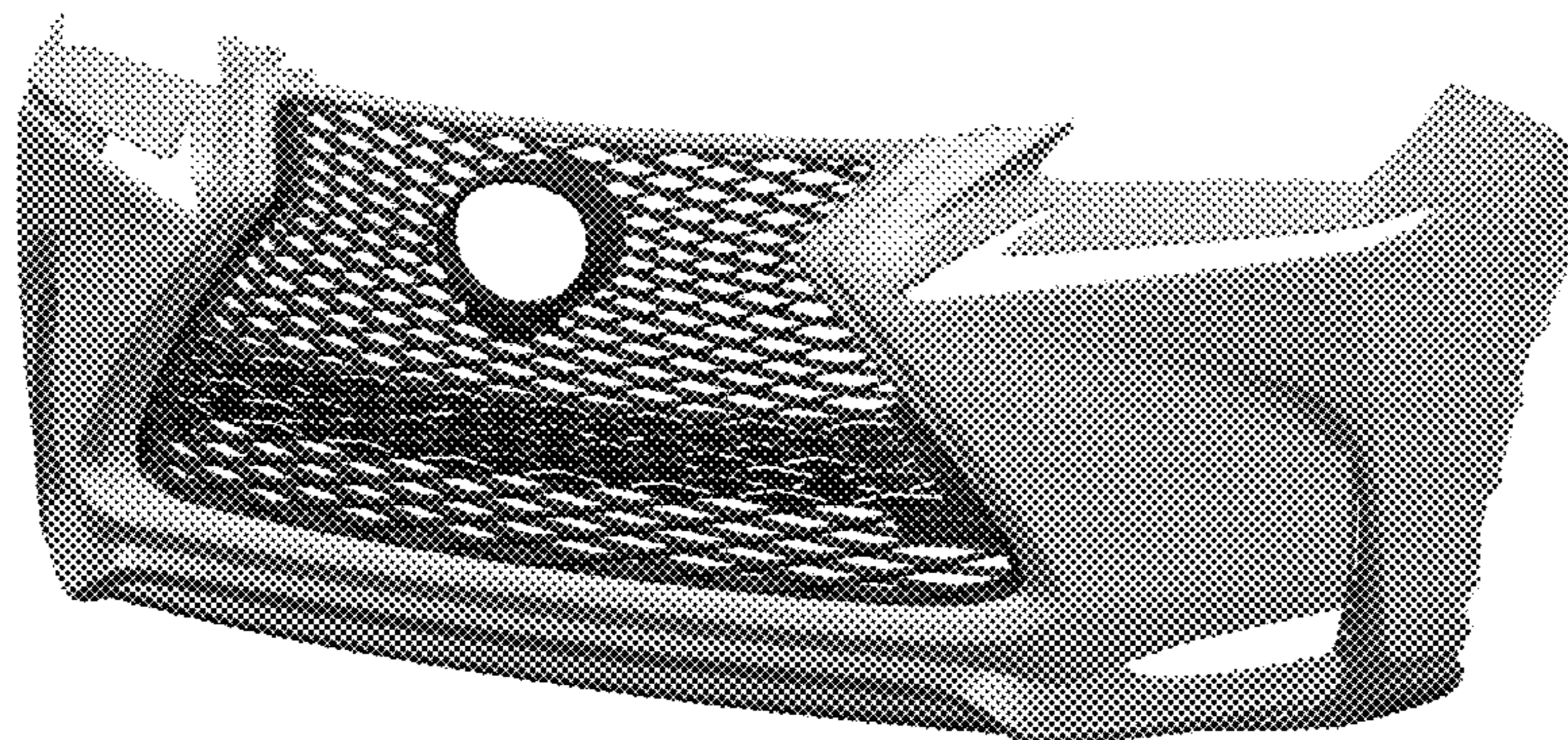
*Primary Examiner* — Melody N Brown  
(74) *Attorney, Agent, or Firm* — Saidman DesignLaw Group, LLC

(57) **CLAIM**  
The ornamental design for a bumper for an automobile, as shown and described.

**DESCRIPTION**

FIG. 1 is a perspective view of a bumper for an automobile showing our new design;  
FIG. 2 is a front view thereof;  
FIG. 3 is a rear view thereof;  
FIG. 4 is a top view thereof;  
FIG. 5 is a bottom view thereof; and,  
FIG. 6 is a right side view, the left side view being a mirror image thereof.  
The drawings include shadows and reflections which indicate contour, not surface ornamentation.

**1 Claim, 2 Drawing Sheets**



(56)

**References Cited**

OTHER PUBLICATIONS

Lexus, Lexus IS (2014), netcarshow.com <[http://www.netcarshow.com/lexus/2014-is/800x600/wallpaper\\_50.htm](http://www.netcarshow.com/lexus/2014-is/800x600/wallpaper_50.htm)>, available at least as early as May 30, 2013.

Nissan, Nissan Resonance Concept, netcarshow.com <[http://www.netcarshow.com/nissan/2013-resonance\\_concept/800x600/wallpaper\\_01.htm](http://www.netcarshow.com/nissan/2013-resonance_concept/800x600/wallpaper_01.htm)>, available at least as early as May 30, 2013.

Lexus, Lexus RX 350 (2013), netcarshow.com <[http://www.netcarshow.com/lexus/2013-rx\\_350/800x600/wallpaper\\_08.htm](http://www.netcarshow.com/lexus/2013-rx_350/800x600/wallpaper_08.htm)>, available at least as early as May 30, 2013.

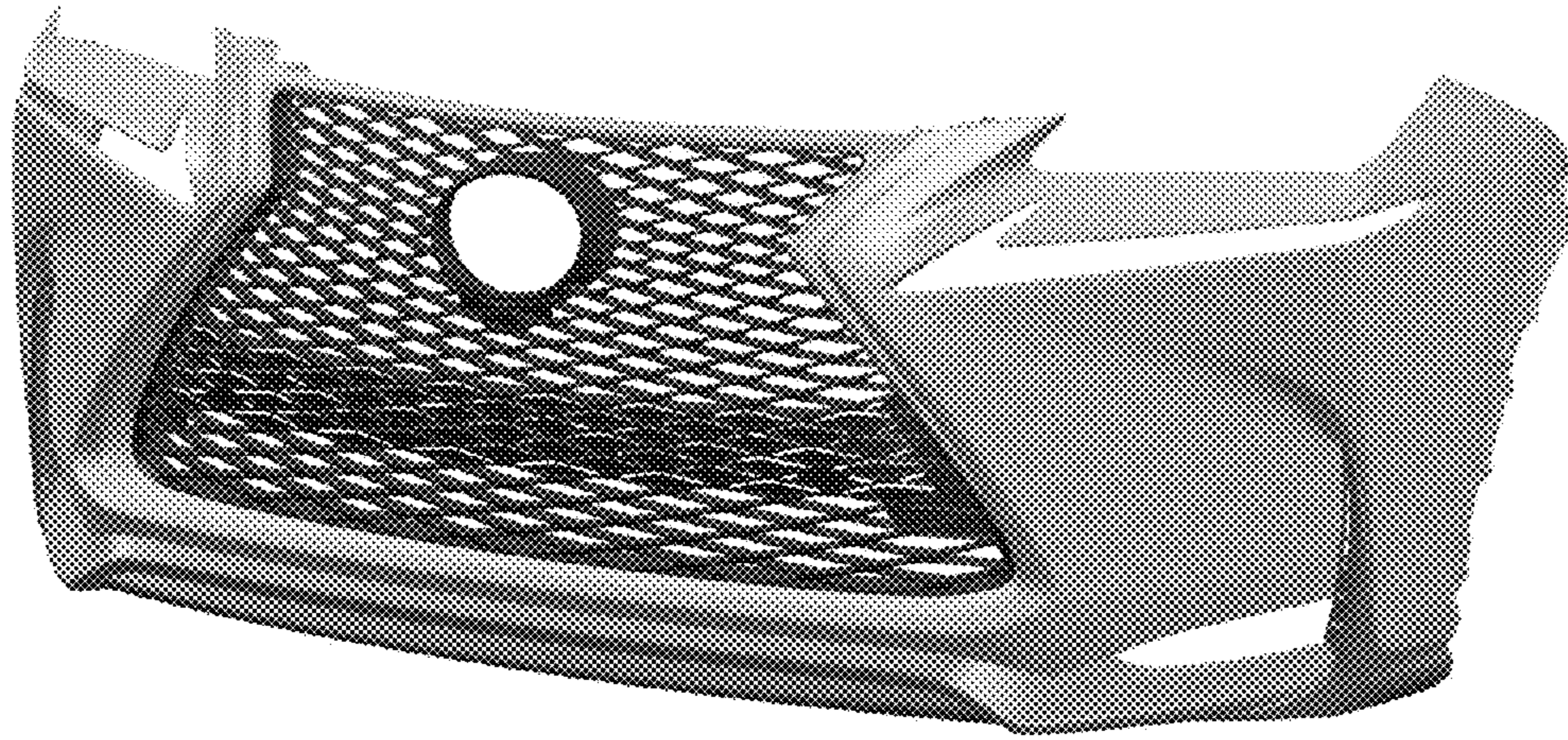
Volkswagen, Volkswagen-Tiguan (2012), netcarshow.com <[http://www.netcarshow.com/volkswagen/2012-tiguan/800x600/wallpaper\\_04.htm](http://www.netcarshow.com/volkswagen/2012-tiguan/800x600/wallpaper_04.htm)>, available at least as early as May 30, 2013.

Lexus, Lexus LF CC Concept (2012), netcarshow.com <[http://www.netcarshow.com/lexus/2012-lf-cc\\_concept/800x600/wallpaper\\_08.htm](http://www.netcarshow.com/lexus/2012-lf-cc_concept/800x600/wallpaper_08.htm)>, available at least as early as May 30, 2013.

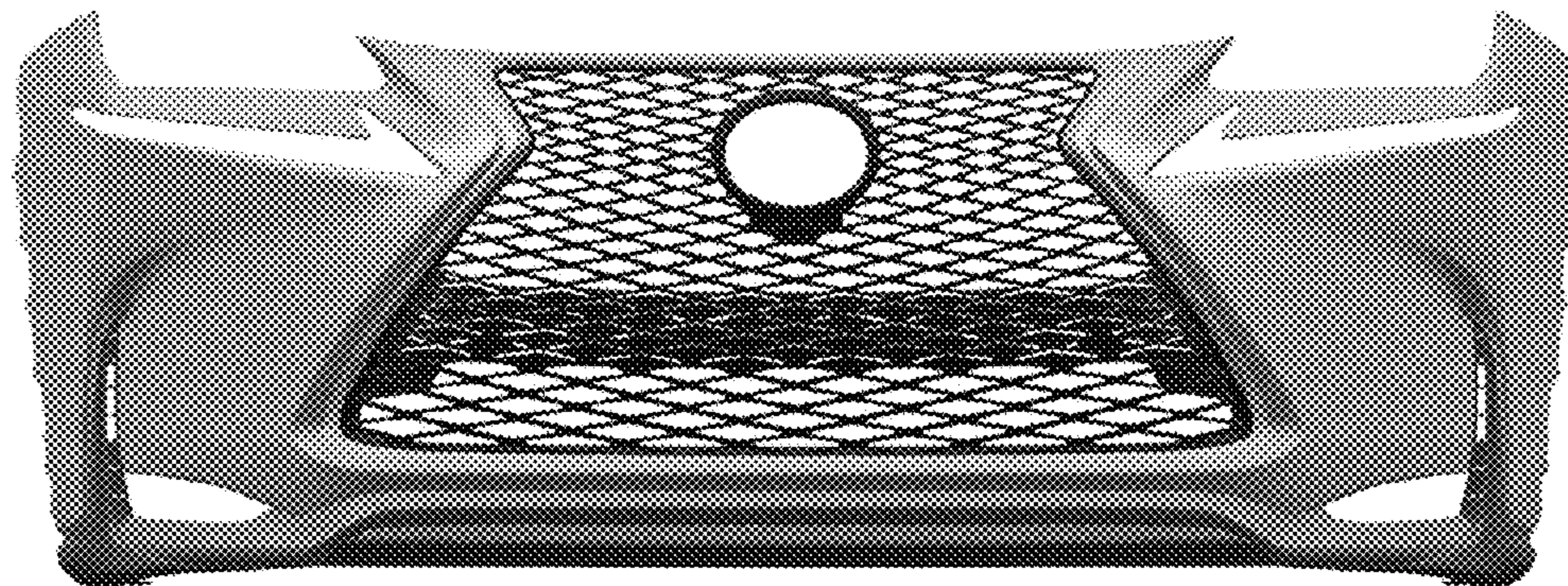
Audi, Audi RS6 Avant (2014), netcarshow.com <[http://www.netcarshow.com/audi/2014-rs6\\_avant/800x600/wallpaper\\_29.htm](http://www.netcarshow.com/audi/2014-rs6_avant/800x600/wallpaper_29.htm)>, available at least as early as May 30, 2013.

Aston Martin, Aston Martin AM 310 Vanquish (2013), netcarshow.com <[http://www.netcarshow.com/aston\\_martin/2013-am\\_310\\_vanquish/800x600/wallpaper\\_10.htm](http://www.netcarshow.com/aston_martin/2013-am_310_vanquish/800x600/wallpaper_10.htm)>, available at least as early as May 30, 2013.

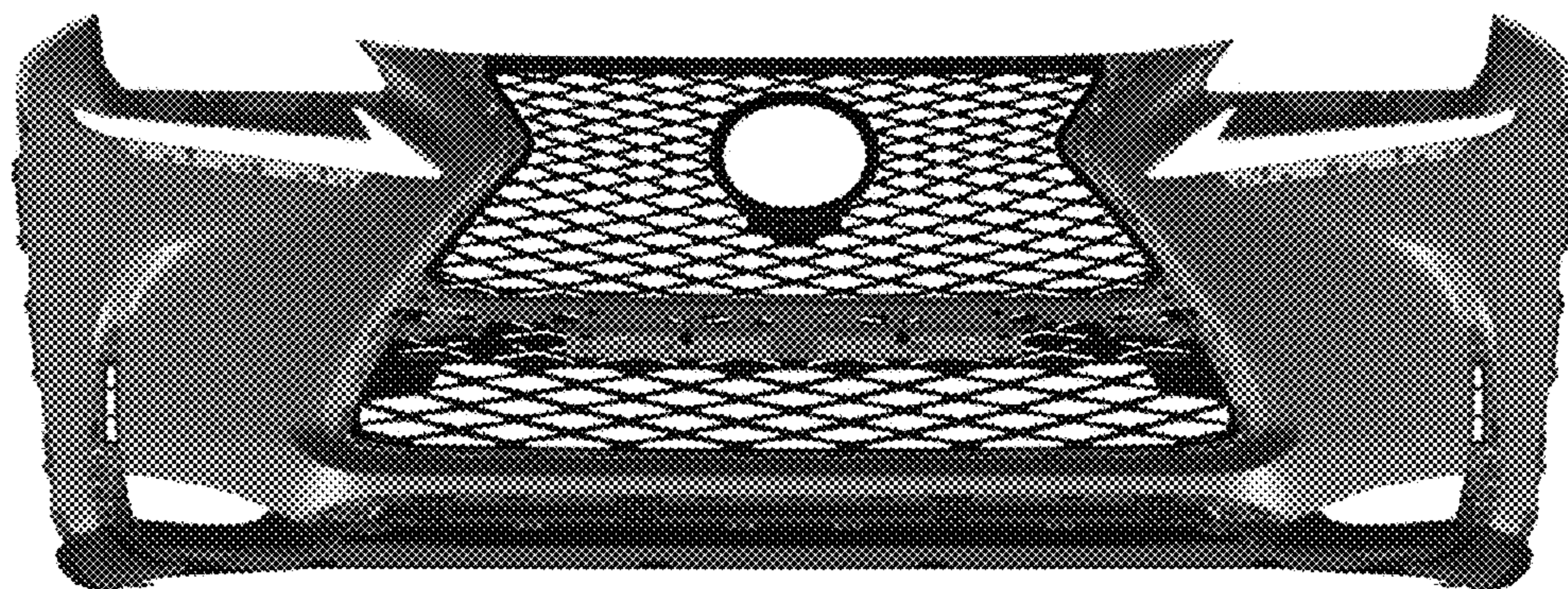
\* cited by examiner



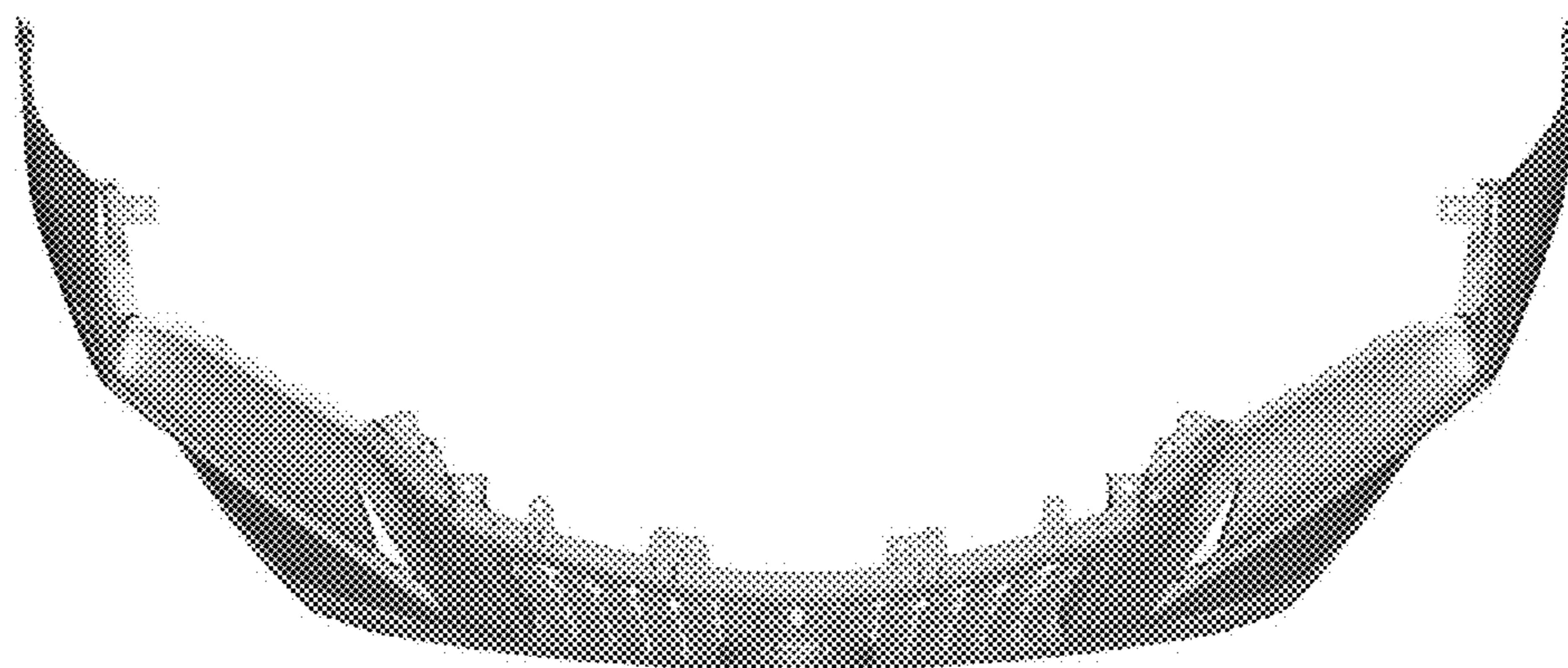
*Fig. 1*



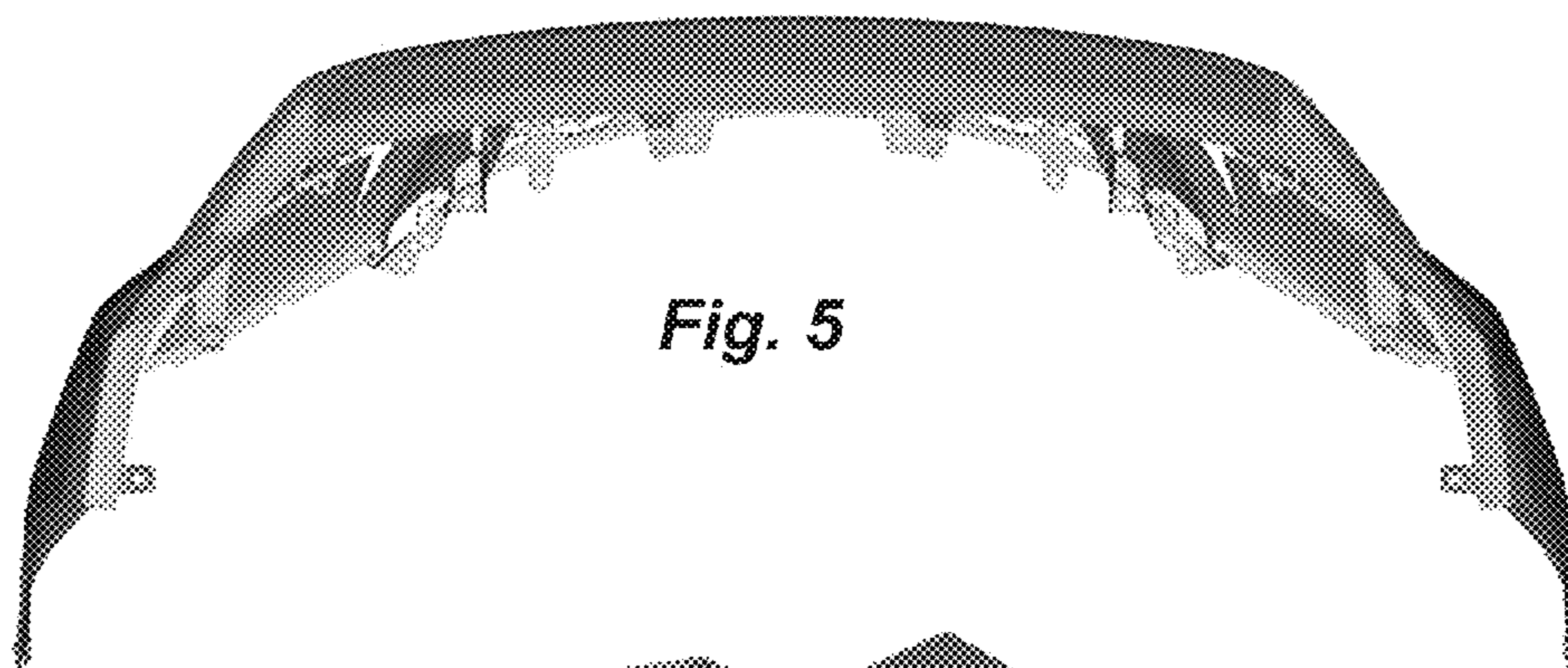
*Fig. 2*



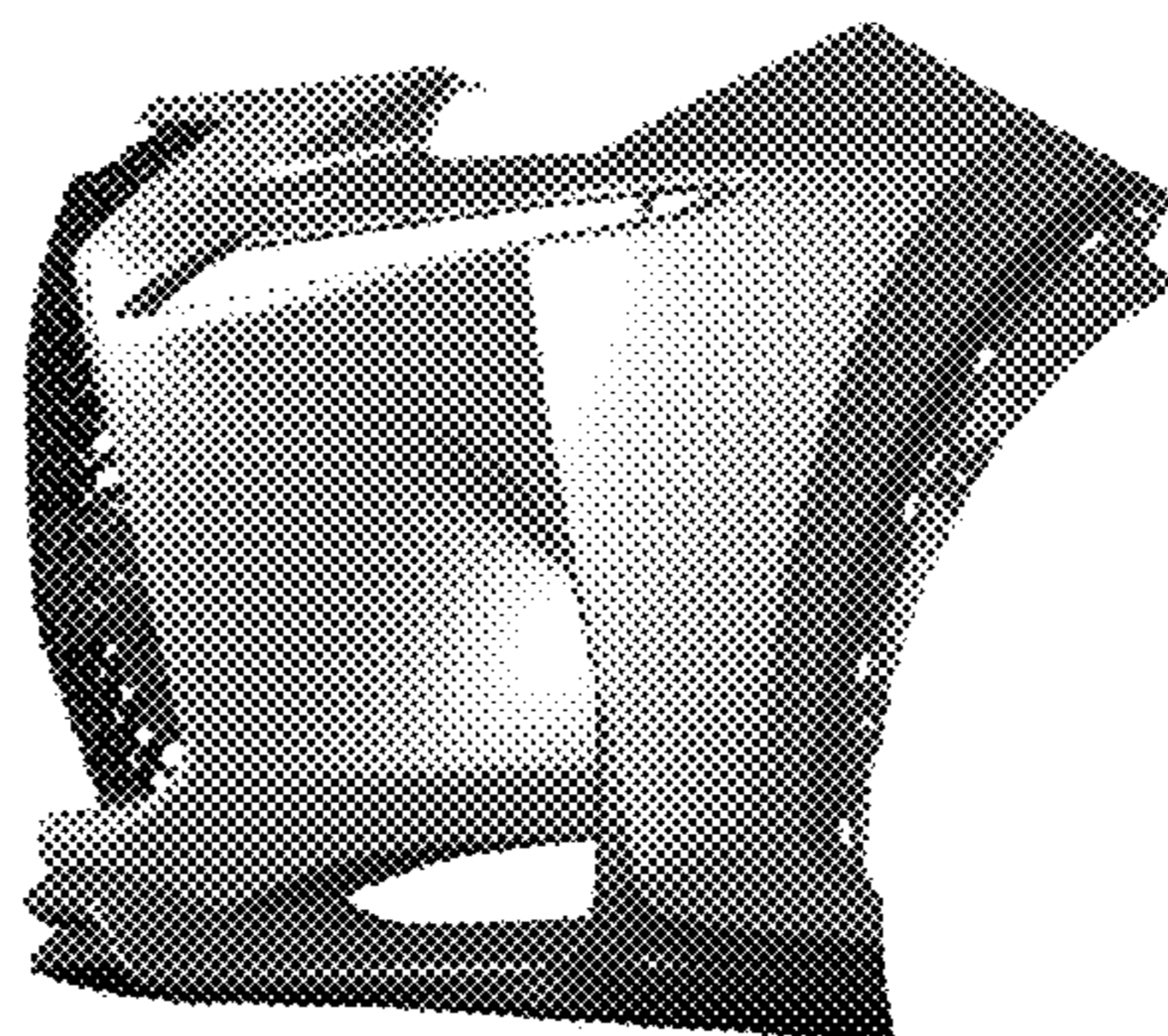
*Fig. 3*



*Fig. 4*



*Fig. 5*



*Fig. 6*