



US00D751957S

(12) **United States Design Patent**
Tomatsu et al.

(10) **Patent No.:** **US D751,957 S**
(45) **Date of Patent:** **** Mar. 22, 2016**

- (54) **BUMPER FOR AN AUTOMOBILE**
- (71) Applicants: **Nobuyuki Tomatsu**, Nagoya (JP); **Yuri Kim**, Toyota (JP); **Shogo Kasamatsu**, Nagoya (JP)
- (72) Inventors: **Nobuyuki Tomatsu**, Nagoya (JP); **Yuri Kim**, Toyota (JP); **Shogo Kasamatsu**, Nagoya (JP)
- (73) Assignee: **Toyota Jidosha Kabushiki Kaisha** (JP)
- (**) Term: **14 Years**
- (21) Appl. No.: **29/526,111**
- (22) Filed: **May 6, 2015**

D637,533 S *	5/2011	Miyazawa	D12/169
D640,614 S *	6/2011	Kumai	D12/169
D664,904 S *	8/2012	Koyama	D12/169
D666,129 S *	8/2012	Iida	D12/163
D667,353 S *	9/2012	Tomatsu	D12/169
D680,472 S *	4/2013	Kido	D12/163
D696,611 S *	12/2013	Kwon	D12/169
D697,458 S *	1/2014	Won	D12/169
D710,265 S *	8/2014	Sakae	D12/169
D715,709 S *	10/2014	Matsumoto	D12/169
D737,182 S *	8/2015	Takei	D12/169

OTHER PUBLICATIONS

U.S. Appl. No. 29/525,742, Hirai et al.*
Lexus, Lexus RX 350 F-Sport, netcarshow.com <http://www.netcarshow.com/lexus/2013-rx_350_f_sport/800x600/wallpaper_02.htm>, available at least as early as May 30, 2013.

(Continued)

Related U.S. Application Data

- (62) Division of application No. 29/482,944, filed on Feb. 24, 2014, now Pat. No. Des. 737,737.

Foreign Application Priority Data

- Sep. 2, 2013 (JP) 2013-020189
- Sep. 2, 2013 (JP) 2013-020190
- Sep. 2, 2013 (JP) 2013-020191

(51) **LOC (10) Cl.** **12-16**

(52) **U.S. Cl.**
USPC **D12/169**

(58) **Field of Classification Search**
USPC D12/169, 216, 90-92, 86, 171, 196, D12/163; 293/102, 113, 115, 117, 120; 296/180.1, 180.2
CPC . B60R 19/52; B60R 2019/25; B62D 25/0845
See application file for complete search history.

References Cited

U.S. PATENT DOCUMENTS

D620,850 S * 8/2010 Sakae D12/169

Primary Examiner — Melody N Brown
(74) *Attorney, Agent, or Firm* — Saidman DesignLaw Group, LLC

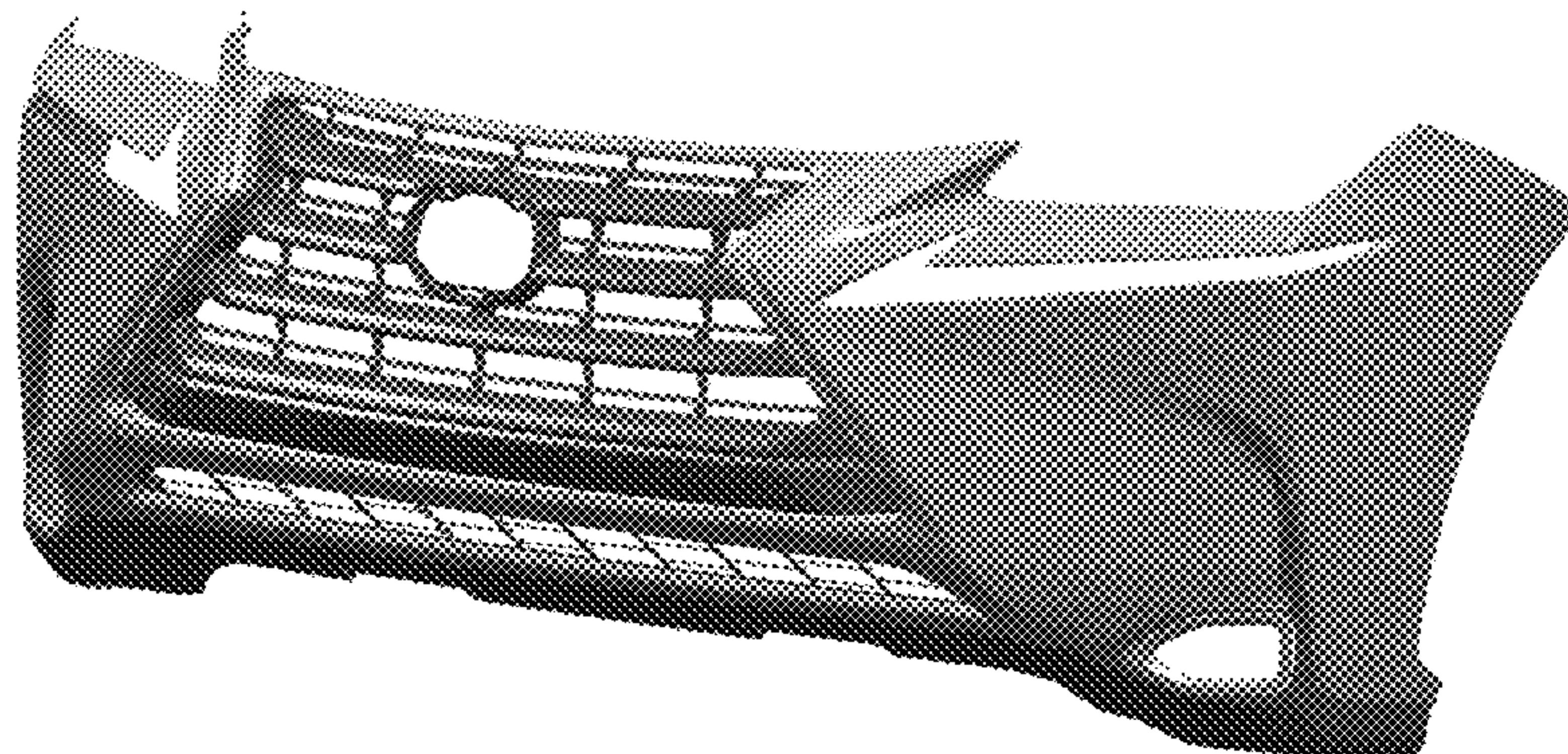
(57) **CLAIM**

The ornamental design for a bumper for an automobile, as shown and described.

DESCRIPTION

FIG. 1 is a perspective view of a bumper for an automobile showing our new design;
FIG. 2 is a front view thereof;
FIG. 3 is a rear view thereof;
FIG. 4 is a top view thereof;
FIG. 5 is a bottom view thereof;
FIG. 6 is a right side view thereof; and,
FIG. 7 is a left side view thereof.
The drawings include shadows and reflections which indicate contour, not surface ornamentation.

1 Claim, 3 Drawing Sheets



(56)

References Cited

OTHER PUBLICATIONS

Lexus, Lexus IS (2014), netcarshow.com <http://www.netcarshow.com/lexus/2014-is/800x600/wallpaper_50.htm>, available at least as early as May 30, 2013.

Nissan, Nissan Resonance Concept, netcarshow.com <http://www.netcarshow.com/nissan/2013-resonance_concept/800x600/wallpaper_01.htm>, available at least as early as May 30, 2013.

Lexus, Lexus RX 350 (2013), netcarshow.com <http://www.netcarshow.com/lexus/2013-rx_350/800x600/wallpaper_08.htm>, available at least as early as May 30, 2013.

Volkswagen, Volkswagen-Tiguan (2012), netcarshow.com <http://www.netcarshow.com/volkswagen/2012-tiguan/800x600/wallpaper_04.htm>, available at least as early as May 30, 2013.

Lexus, Lexus LF CC Concept (2012), netcarshow.com <http://www.netcarshow.com/lexus/2012-lf-cc_concept/800x600/wallpaper_08.htm>, available at least as early as May 30, 2013.

Audi, Audi RS6 Avant (2014), netcarshow.com <http://www.netcarshow.com/audi/2014-rs6_avant/800x600/wallpaper_29.htm>, available at least as early as May 30, 2013.

Aston Martin, Aston Martin AM 310 Vanquish (2013), netcarshow.com <http://www.netcarshow.com/aston_martin/2013-am_310_vanquish/800x600/wallpaper_10.htm>, available at least as early as May 30, 2013.

* cited by examiner

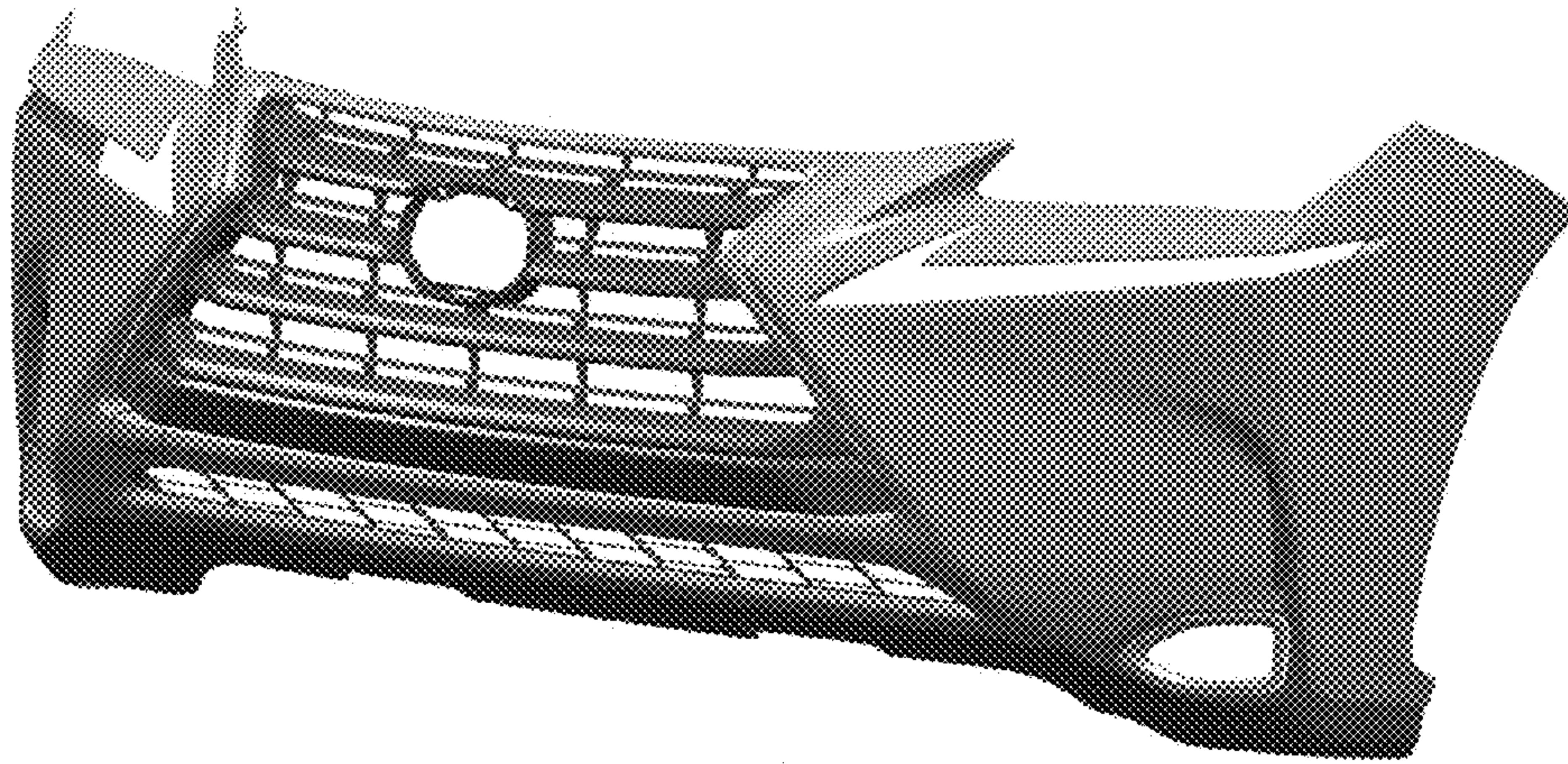


Fig. 1

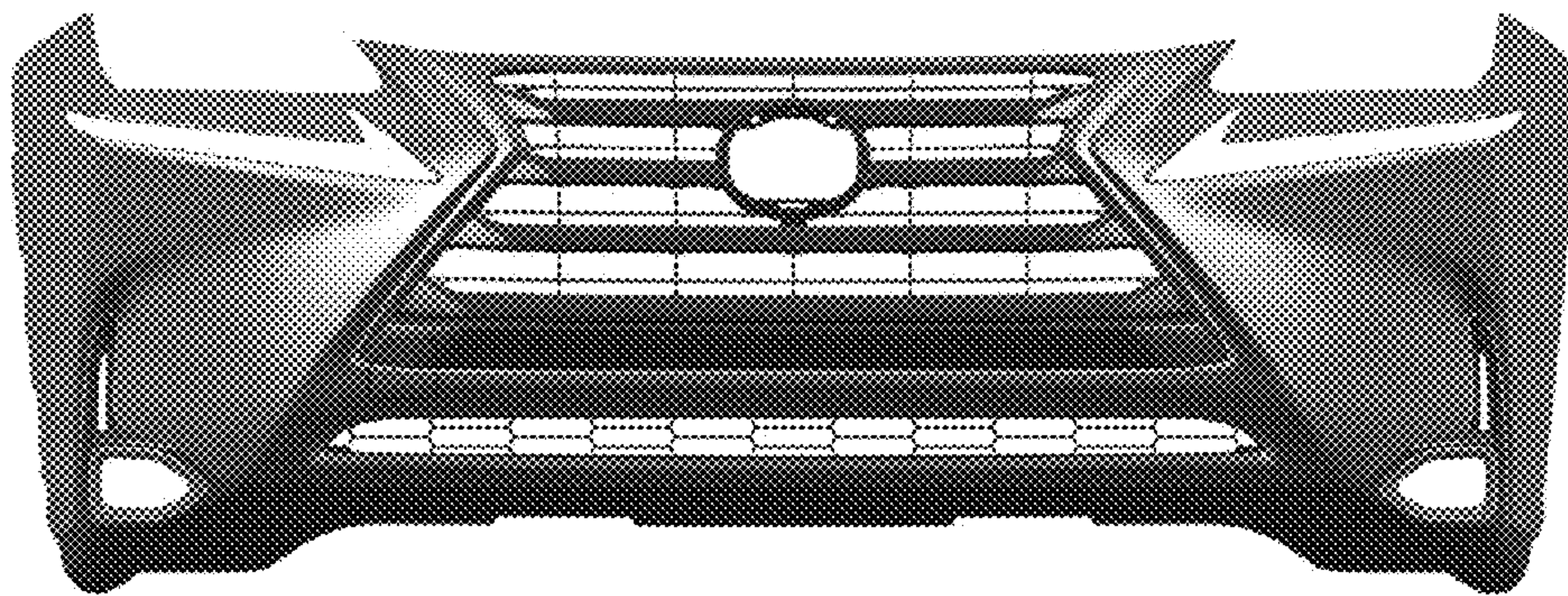


Fig. 2

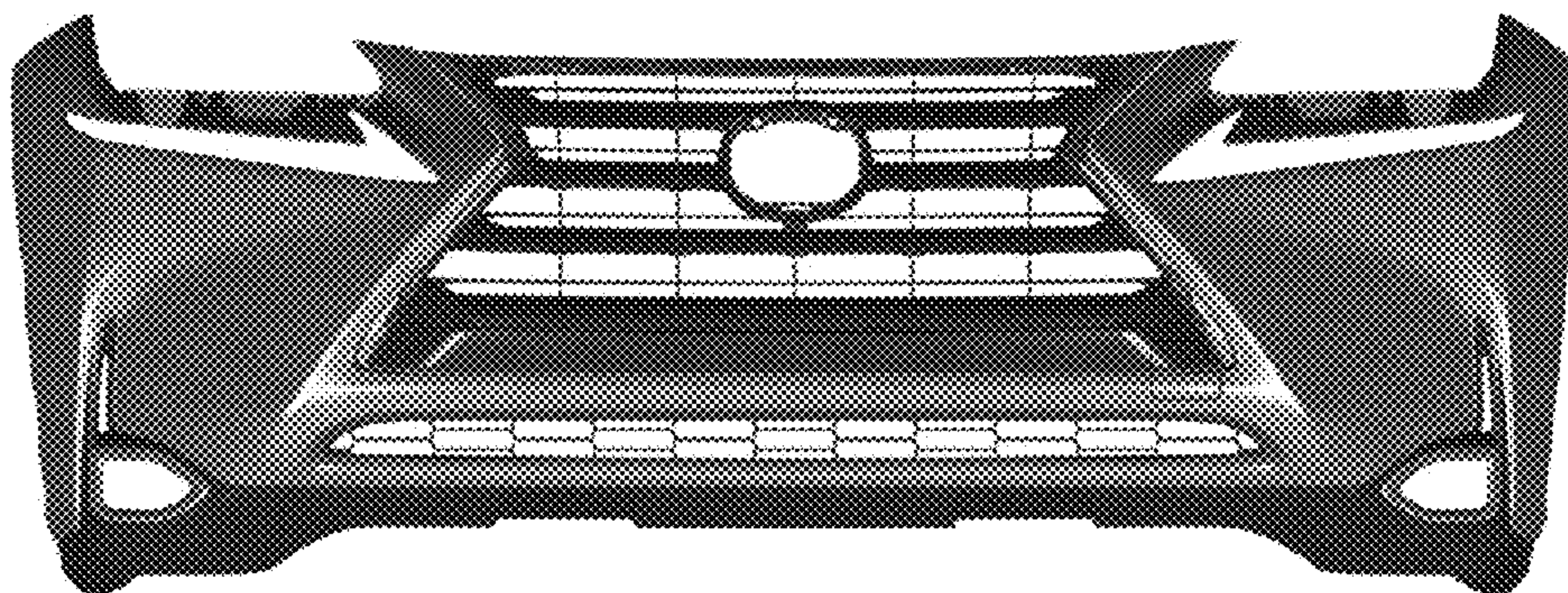


Fig. 3

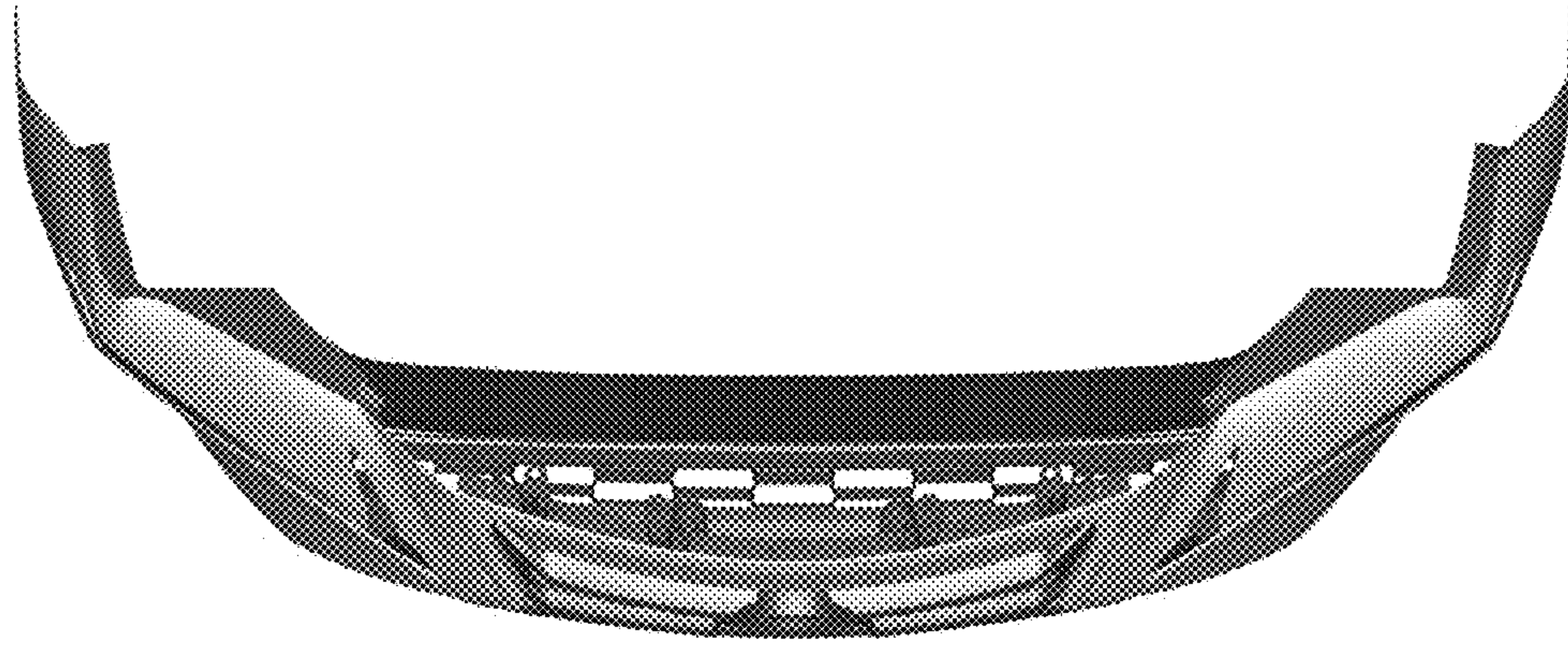


Fig. 4

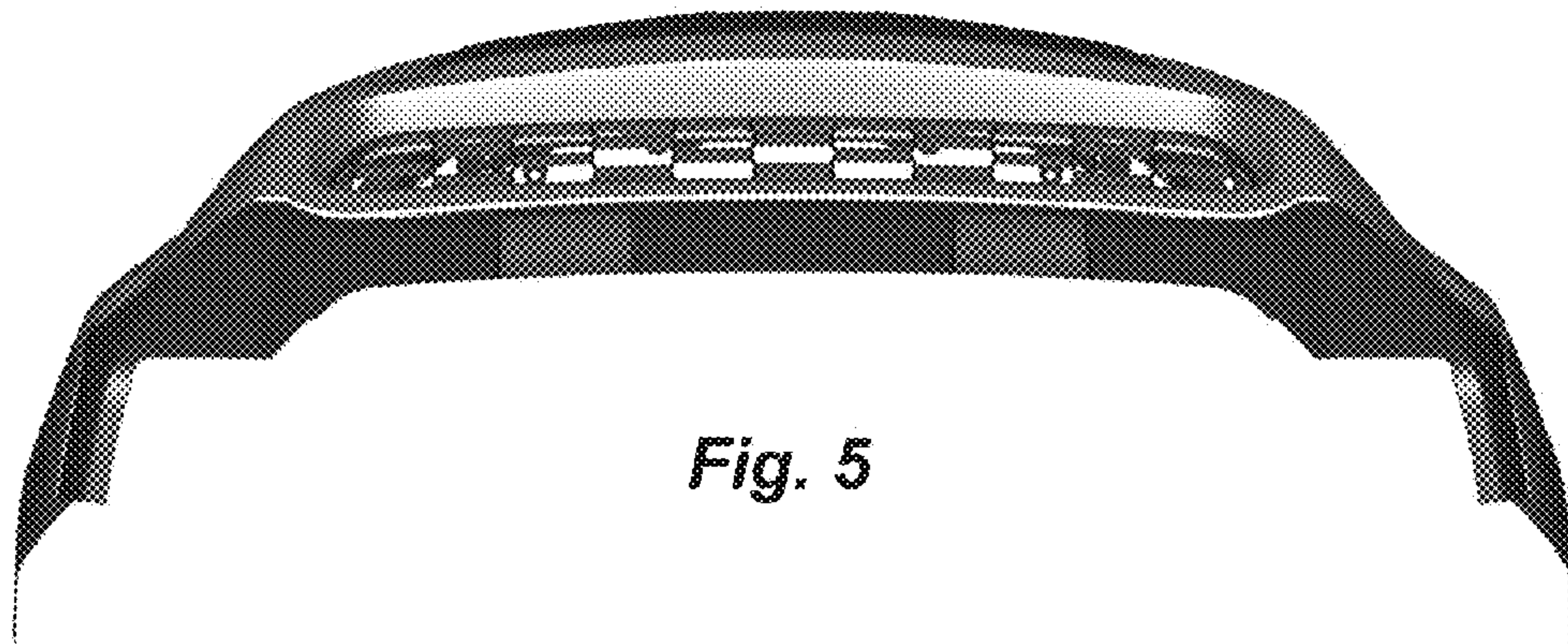


Fig. 5

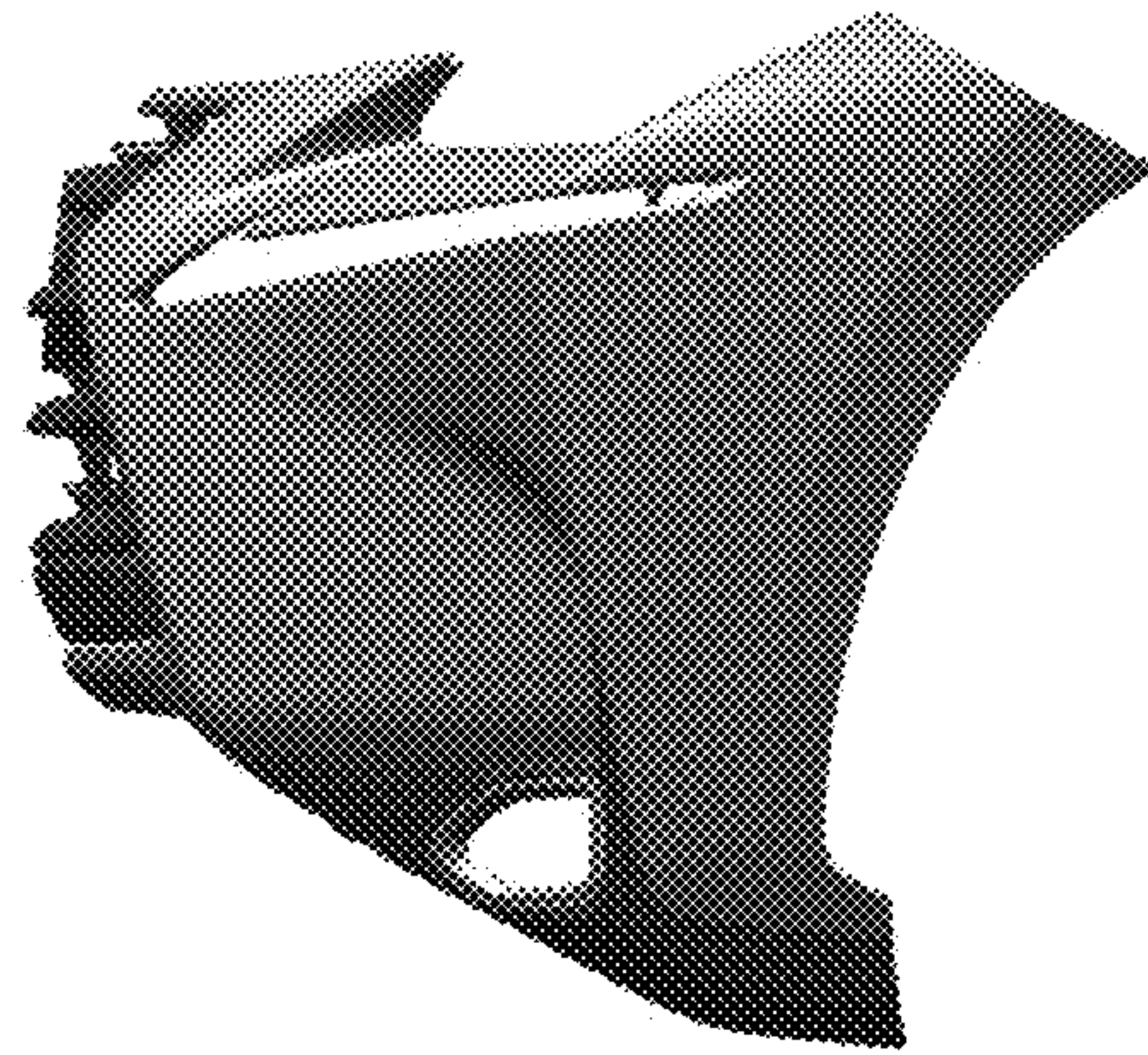


Fig. 6

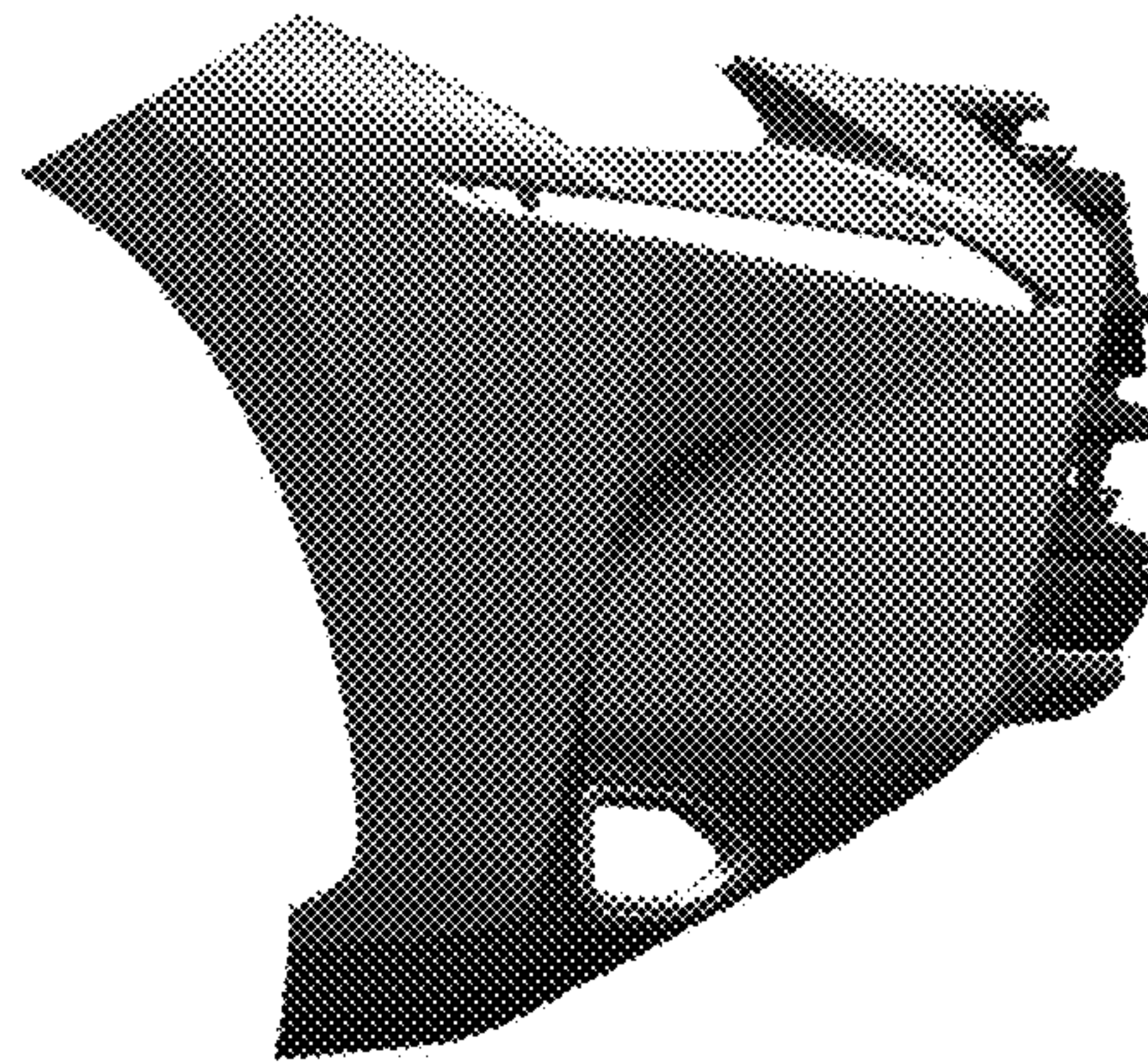


Fig. 7