



US00D751953S

(12) **United States Design Patent**  
**Hayes et al.**

(10) **Patent No.:** **US D751,953 S**  
(45) **Date of Patent:** **\*\* Mar. 22, 2016**

- (54) **ROCKER GUARD**
- (71) Applicant: **Rock-Slide Engineering, LLC**, North Logan, UT (US)
- (72) Inventors: **Mark David Hayes**, Smithfield, UT (US); **Justin Sampson**, North Logan, UT (US)
- (73) Assignee: **Rock-Slide Engineering, LLC**, Logan, UT (US)
- (\*\*) Term: **14 Years**
- (21) Appl. No.: **29/514,604**
- (22) Filed: **Jan. 14, 2015**
- (51) **LOC (10) Cl.** ..... **12-16**
- (52) **U.S. Cl.**  
USPC ..... **D12/167**; D12/203
- (58) **Field of Classification Search**  
USPC ..... D12/167, 169, 181, 190, 203, 414;  
D25/62, 69, 123, 126, 127, 128, 129,  
D25/136; 280/163, 164.1, 164.2, 166, 169,  
280/727, 770, 848, 851; 52/630, 846  
CPC ..... B60R 3/00; B60R 3/02; B60R 13/04;  
B62D 21/157; B62D 25/02; B62D 25/20;  
B62D 35/008  
See application file for complete search history.

D476,927	S *	7/2003	Delgado	.....	D12/167
D567,729	S *	4/2008	Crandall	.....	D12/203
D618,148	S *	6/2010	Hoppert	.....	D12/203
8,136,826	B2 *	3/2012	Watson	.....	B60R 3/02 280/163
8,714,575	B2 *	5/2014	Watson	.....	B60R 3/002 280/166
D718,195	S *	11/2014	Hayes	.....	D12/167
D746,187	S *	12/2015	Park	.....	D12/167
2003/0160418	A1 *	8/2003	Farkash	.....	B60R 3/002 280/164.1
2012/0104719	A1 *	5/2012	Hayes	.....	B60R 3/02 280/163

\* cited by examiner

*Primary Examiner* — Philip G Hyder  
*Assistant Examiner* — Darlington Ly

(74) *Attorney, Agent, or Firm* — Preston P. Frischknecht;  
Project CIP

(57) **CLAIM**

The ornamental design for a rocker guard, as shown and described.

**DESCRIPTION**

This Application is a Continuation-in-Part of U.S. Pat. No. D718,195.

FIG. 1 is a front perspective view showing the design;  
FIG. 2 is a front view showing the design;  
FIG. 3 is a back view showing the design;  
FIG. 4 is a right side view showing the design;  
FIG. 5 is a left side view showing the design;  
FIG. 6 is a top view showing the design;  
FIG. 7 is a bottom view showing the design; and,  
FIG. 8 is a front perspective alternate view showing the design.

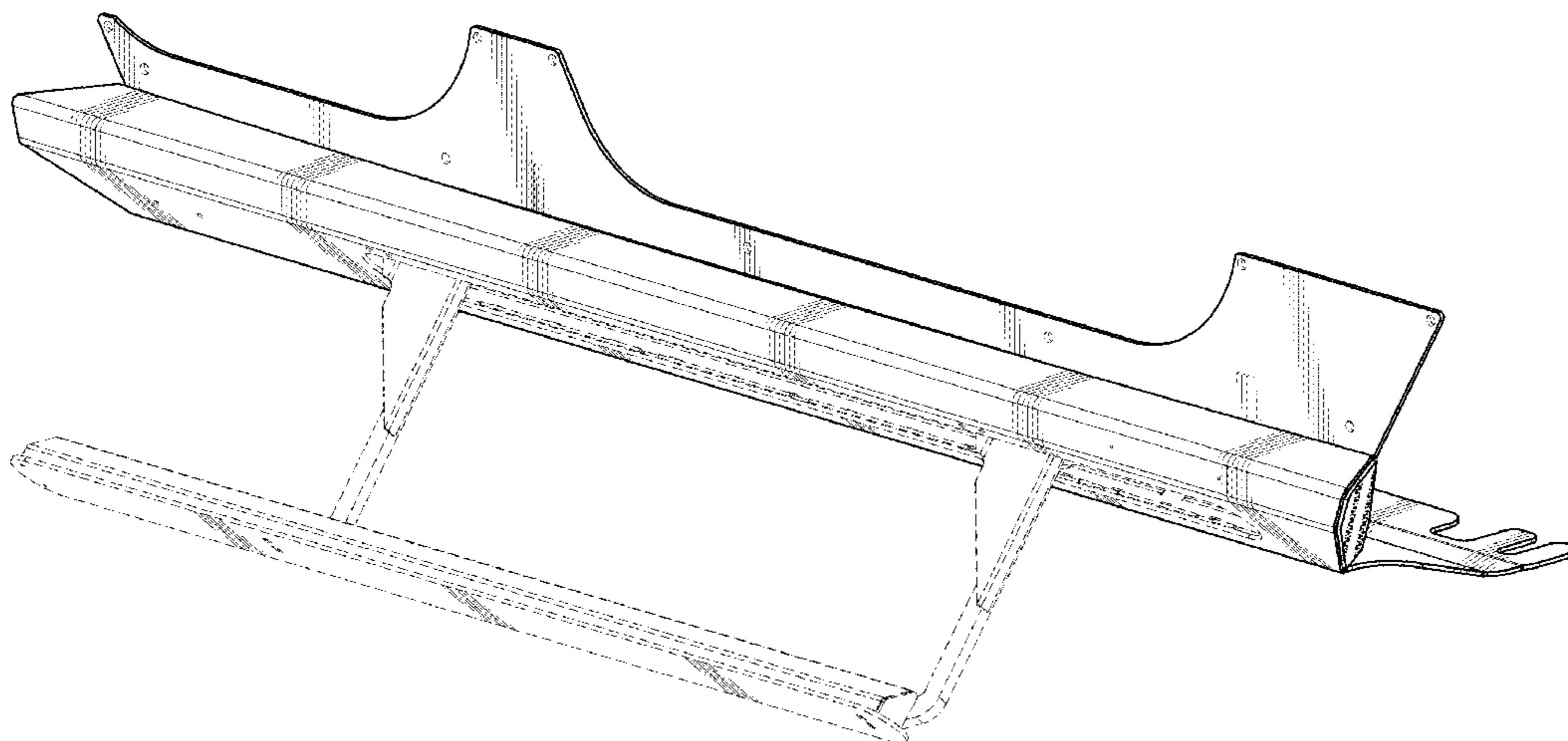
The broken lines shown in the drawings illustrate portions of the rocker guard and environmental structure that forms no part of claimed design.

**1 Claim, 5 Drawing Sheets**

(56) **References Cited**

U.S. PATENT DOCUMENTS

D305,323	S *	1/1990	Anderson	.....	D12/203
4,934,721	A *	6/1990	Flores	.....	B60R 3/002 182/90
D318,039	S *	7/1991	Flores	.....	D12/203
D324,668	S *	3/1992	Anderson	.....	D12/203
5,382,035	A *	1/1995	Waddington	.....	B60R 3/002 280/169



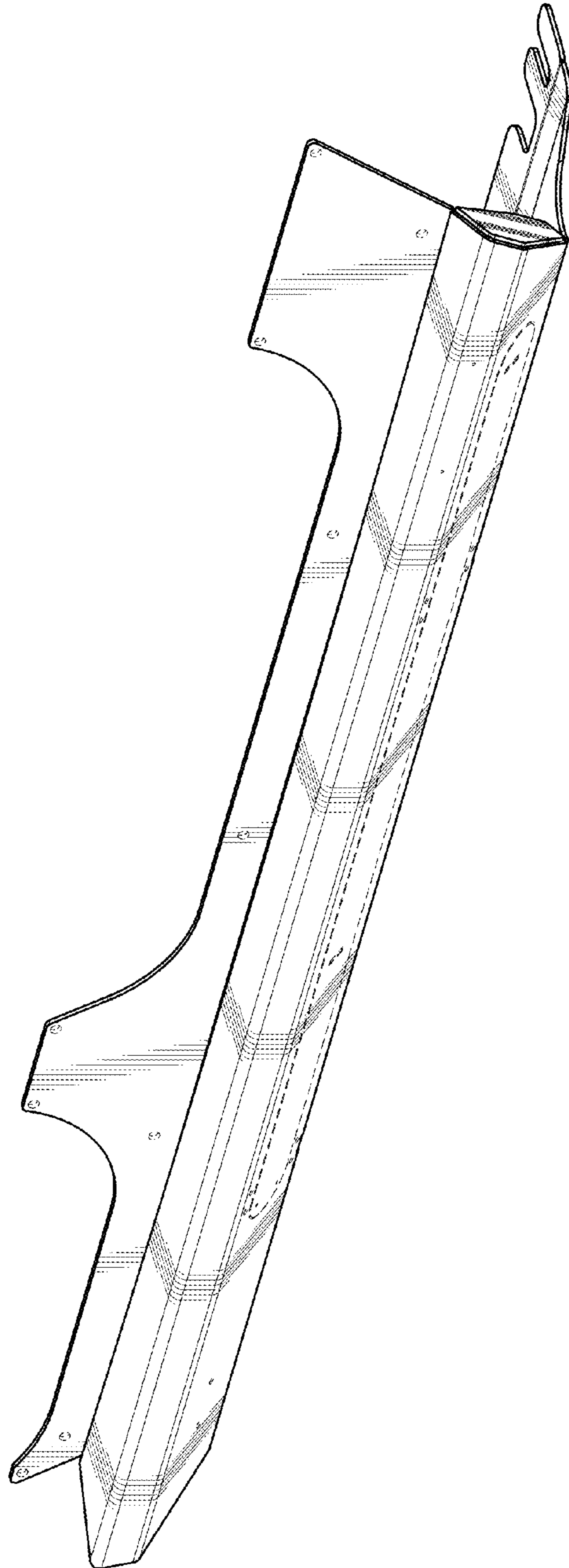


Fig. 1

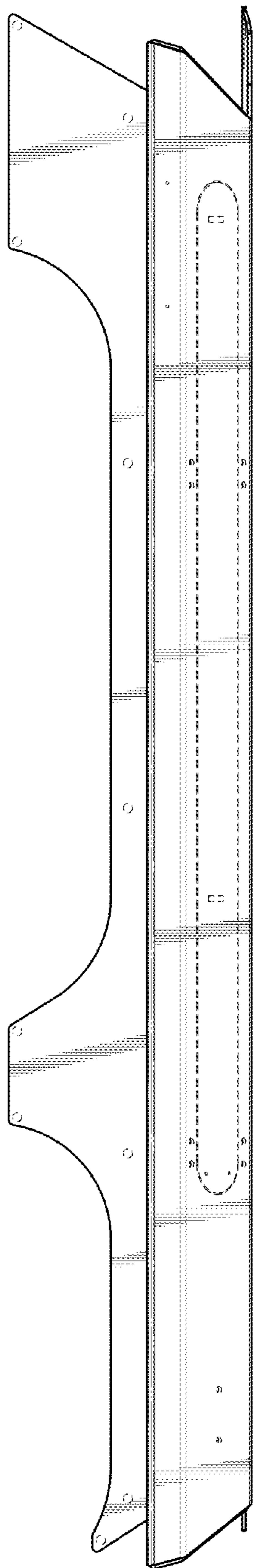


Fig. 2

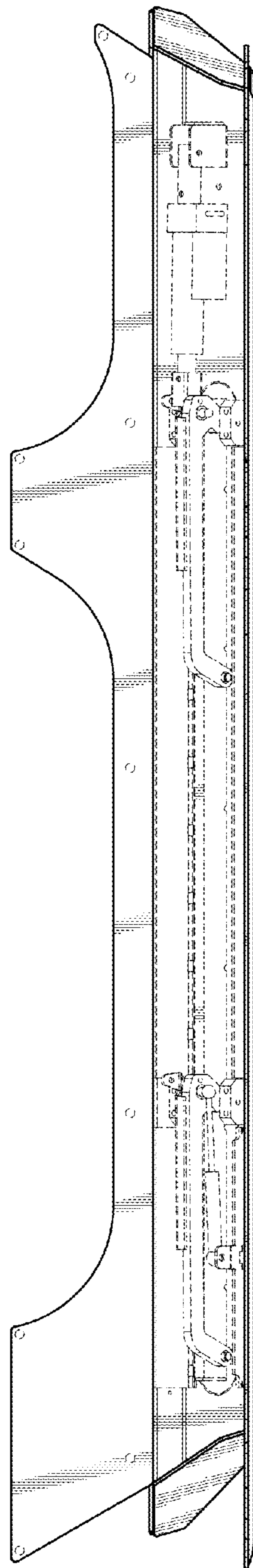


Fig. 3

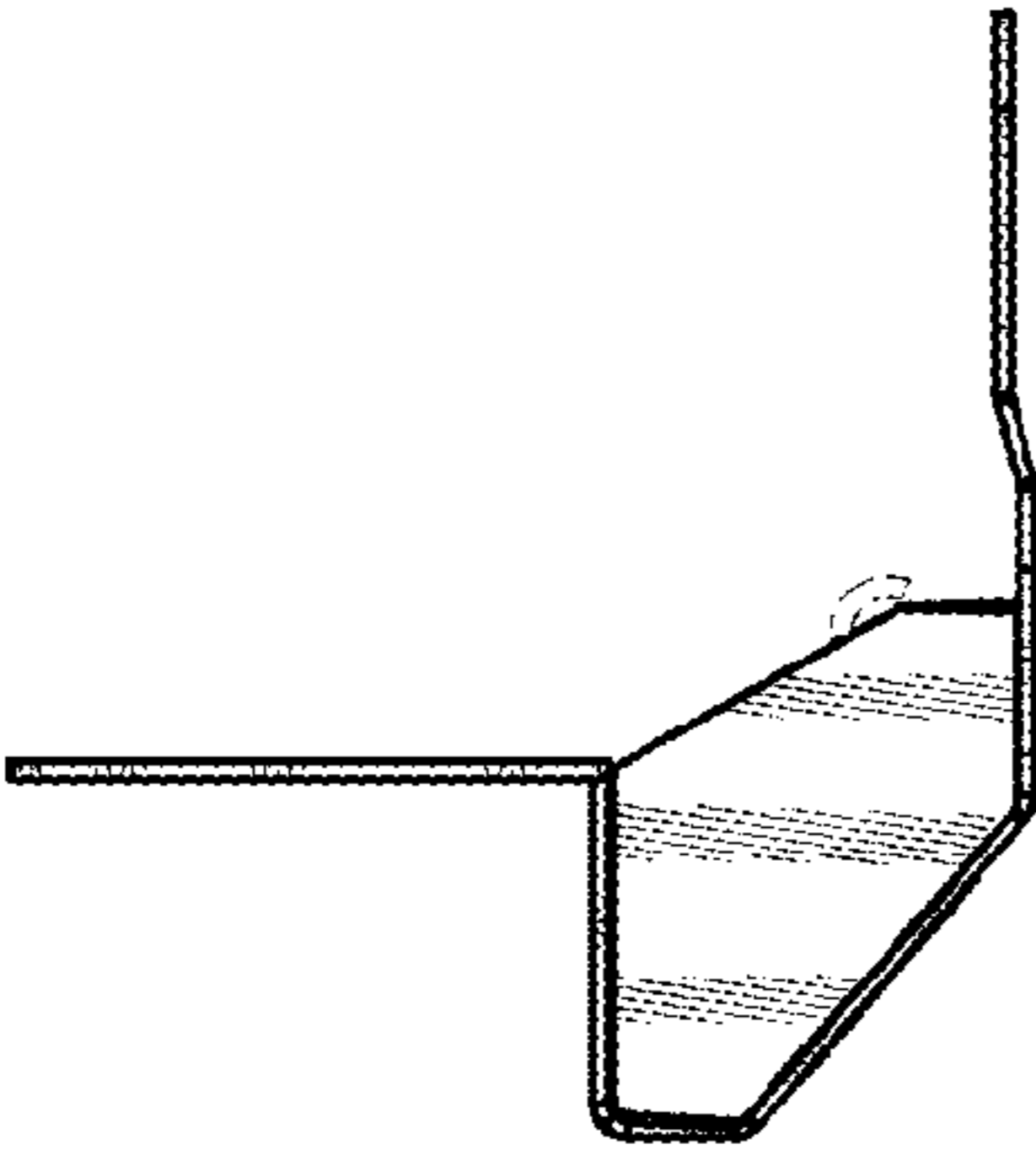


Fig. 4

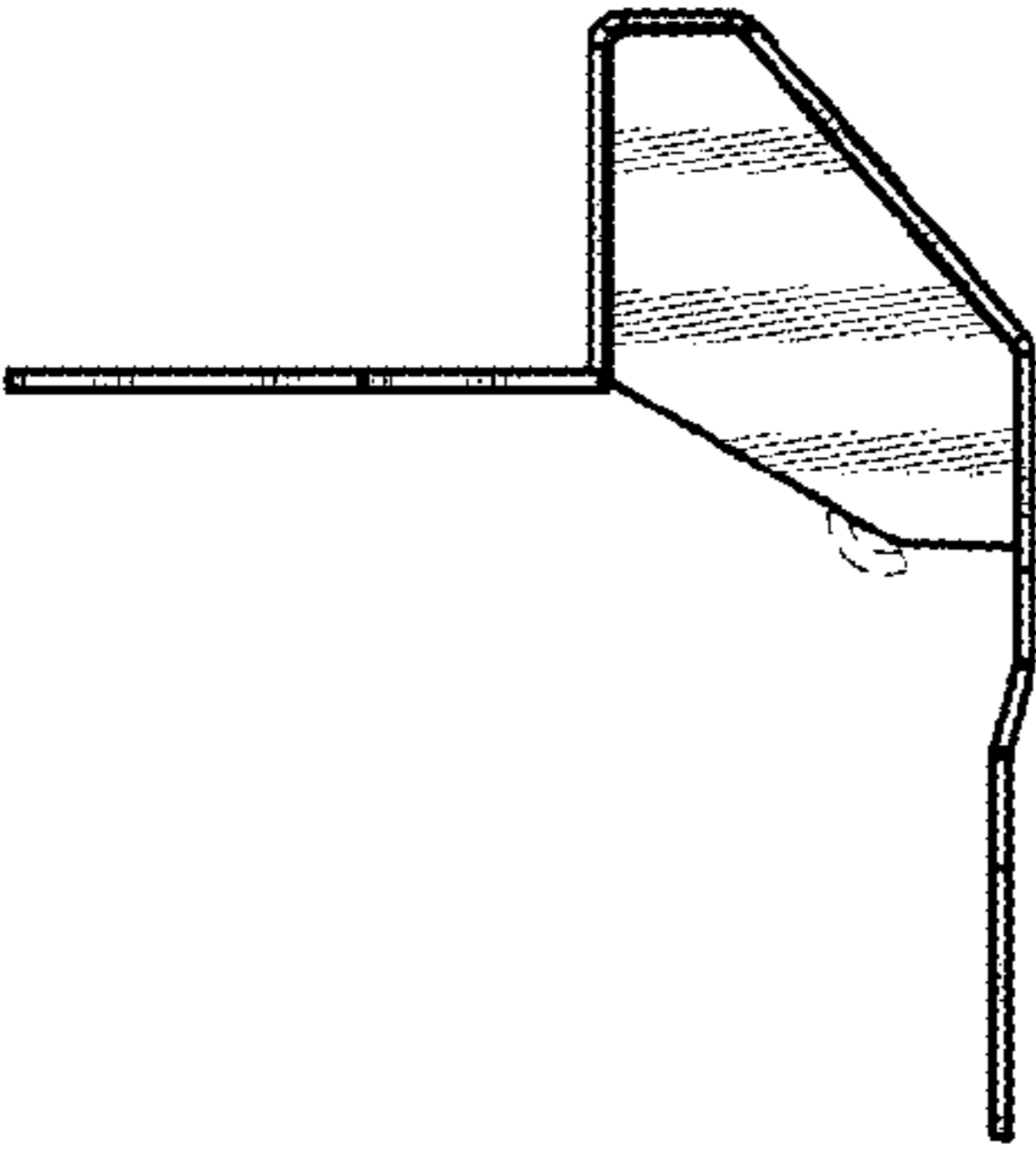


Fig. 5

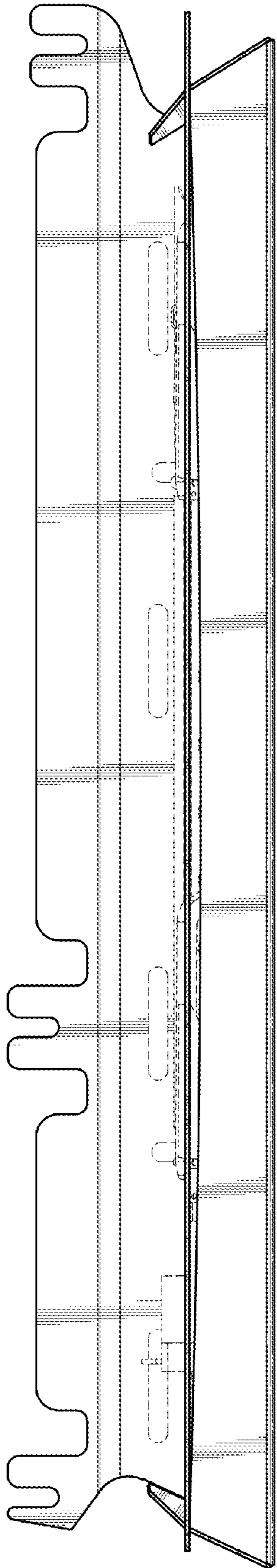


Fig. 6

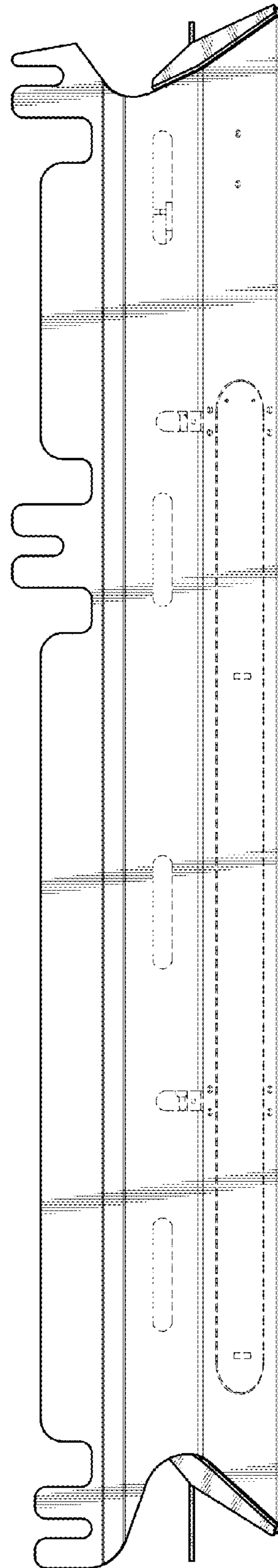


Fig. 7

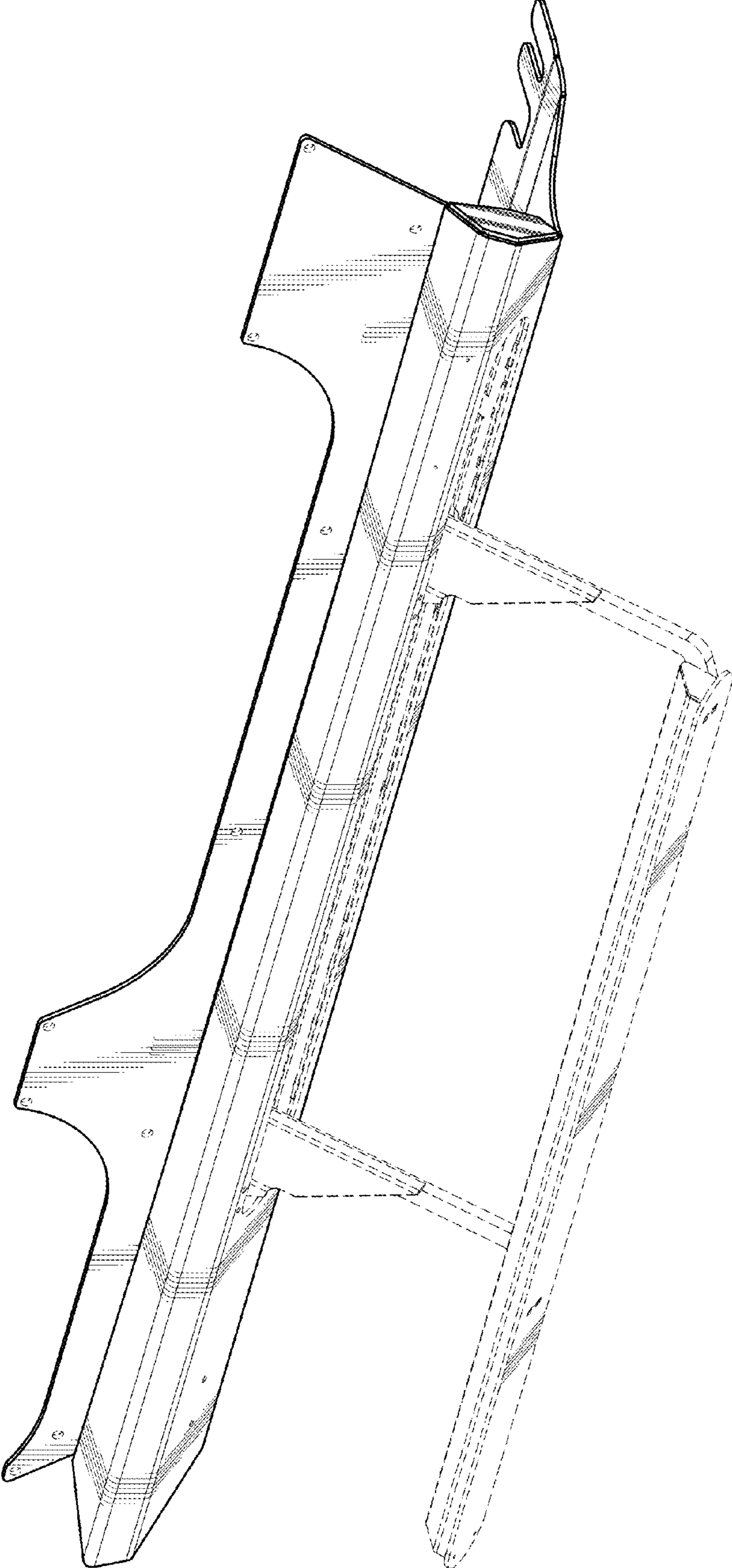


Fig. 8