



US00D751951S

(12) **United States Design Patent**
Andersen et al.

(10) **Patent No.:** **US D751,951 S**
(45) **Date of Patent:** **** *Mar. 22, 2016**

- (54) **WALKER WITH A SEAT**
- (71) Applicant: **Medline Industries, Inc.**, Mundelein, IL (US)
- (72) Inventors: **Margaret M. Andersen**, Chicago, IL (US); **Brendan Fong**, Northbrook, IL (US); **Ben Wang**, Zhongshan (CN)
- (73) Assignee: **Medline Industries, Inc.**, Mundelein, IL (US)
- (*) Notice: This patent is subject to a terminal disclaimer.
- (**) Term: **14 Years**
- (21) Appl. No.: **29/479,778**
- (22) Filed: **Jan. 20, 2014**
- (51) **LOC (10) Cl.** **12-12**
- (52) **U.S. Cl.**
USPC **D12/130**
- (58) **Field of Classification Search**
USPC D12/128-133; 280/62, 647-650, 29, 280/200, 47.38, 250.1, 259, 642, 658, 280/304.1; 128/99.1, 100.1
See application file for complete search history.

5,579,793	A *	12/1996	Gajewski et al.	135/67
5,862,825	A *	1/1999	Leonard	135/67
5,882,067	A *	3/1999	Carbajal et al.	297/6
5,904,168	A *	5/1999	Alulyan	135/65
5,979,476	A *	11/1999	Cranny	135/67
6,371,142	B1 *	4/2002	Battiston	135/67
D480,666	S *	10/2003	Owens	D12/130
7,040,637	B2 *	5/2006	Owens et al.	280/87.021

* cited by examiner

Primary Examiner — Ian Simmons

Assistant Examiner — Charles Hanson

(74) *Attorney, Agent, or Firm* — McAndrews, Held & Malloy, Ltd.

(57) **CLAIM**

The ornamental design for a walker with a seat, as shown and described.

DESCRIPTION

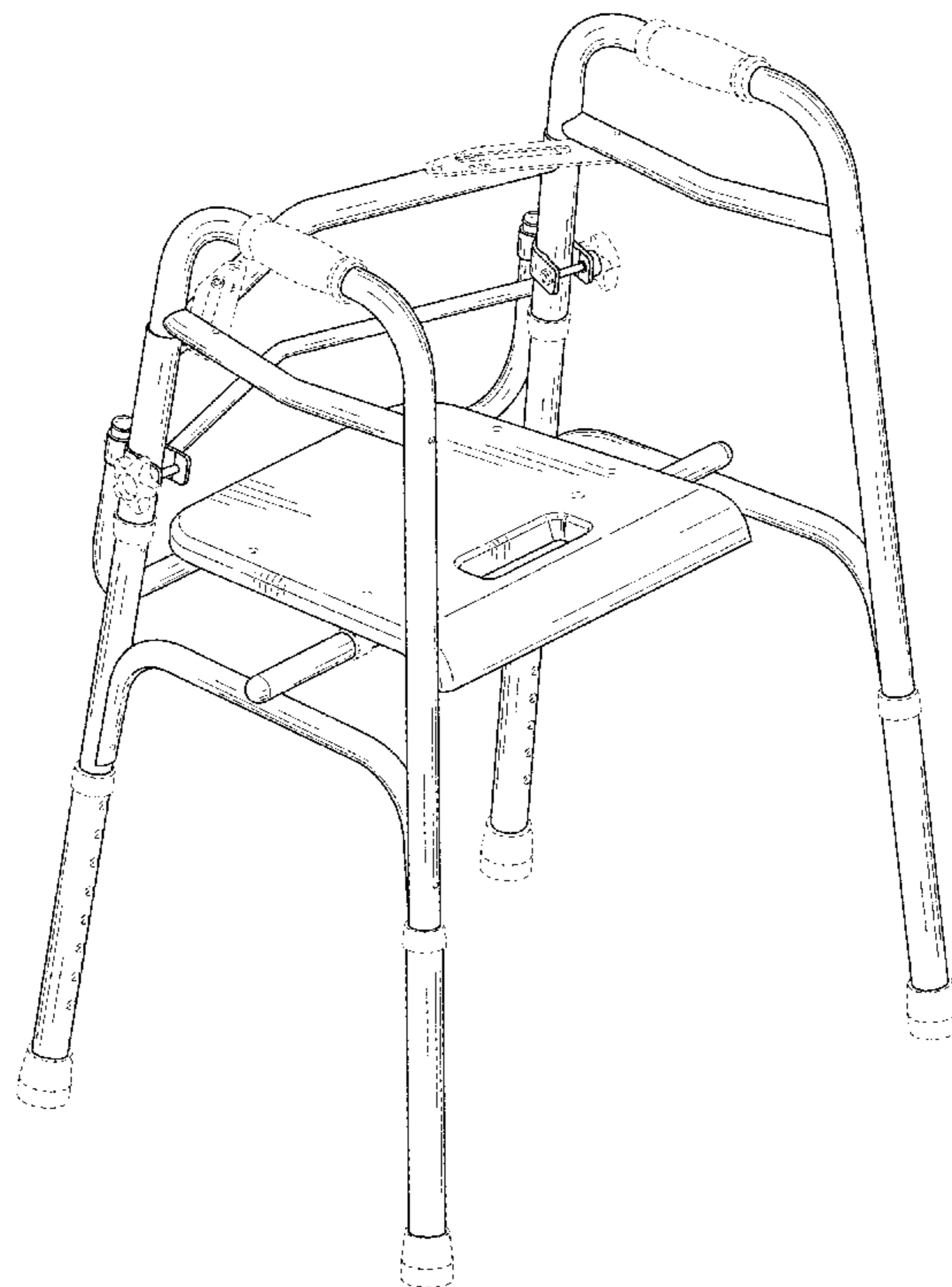
FIG. 1 is a rear perspective view of a walker with a seat showing our new design;
 FIG. 2 is a rear elevation view thereof;
 FIG. 3 is a front elevation view thereof;
 FIG. 4 is a left side elevation view thereof;
 FIG. 5 is a right side elevation view thereof;
 FIG. 6 is a top plan view thereof; and,
 FIG. 7 is a bottom plan view thereof.
 The dotted lines are for environmental purposes only and form no part of the claimed design.

(56) **References Cited**

U.S. PATENT DOCUMENTS

5,353,824	A *	10/1994	Woods et al.	135/66
5,529,425	A *	6/1996	Spies et al.	403/322.4

1 Claim, 7 Drawing Sheets



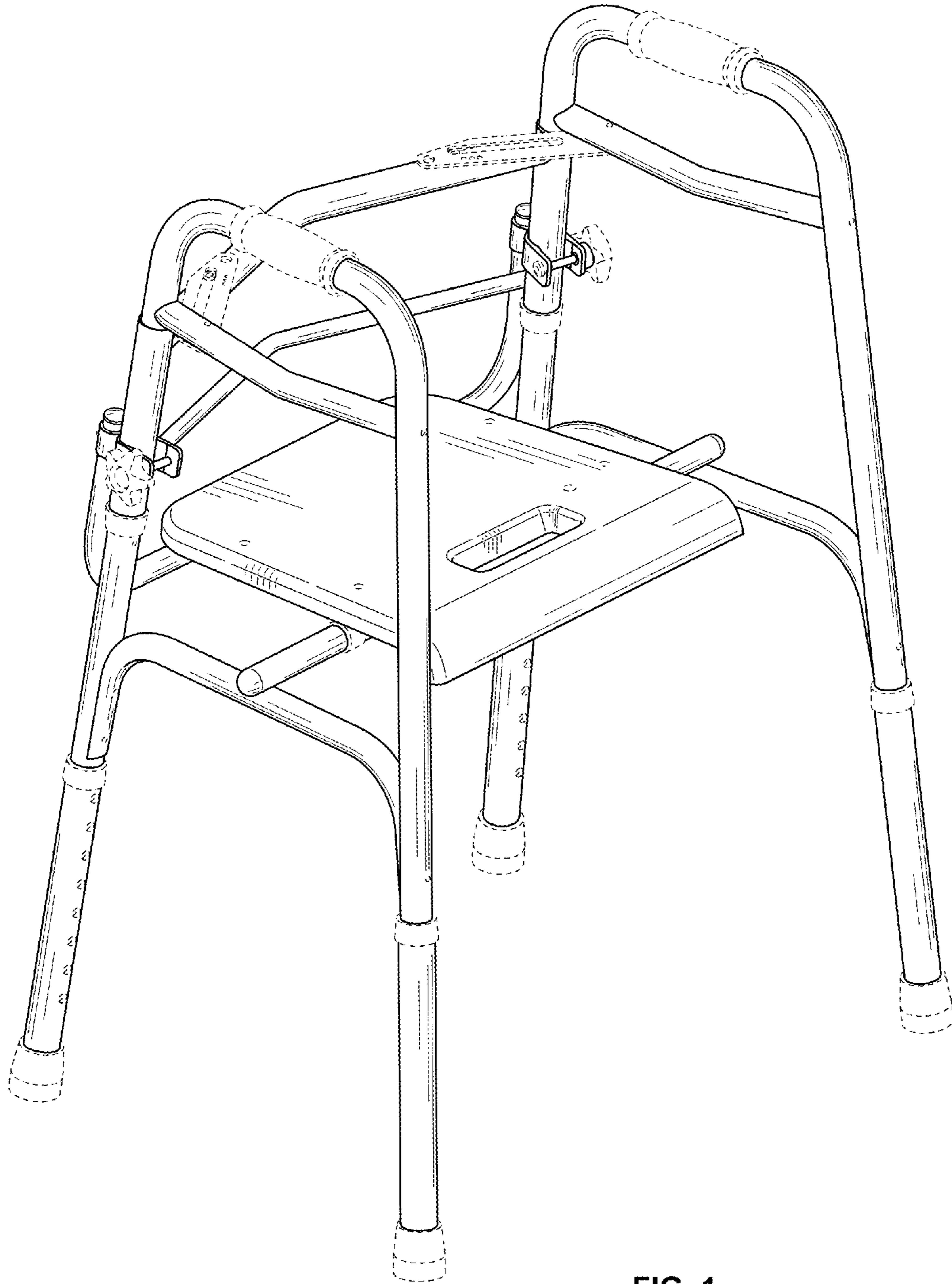


FIG. 1

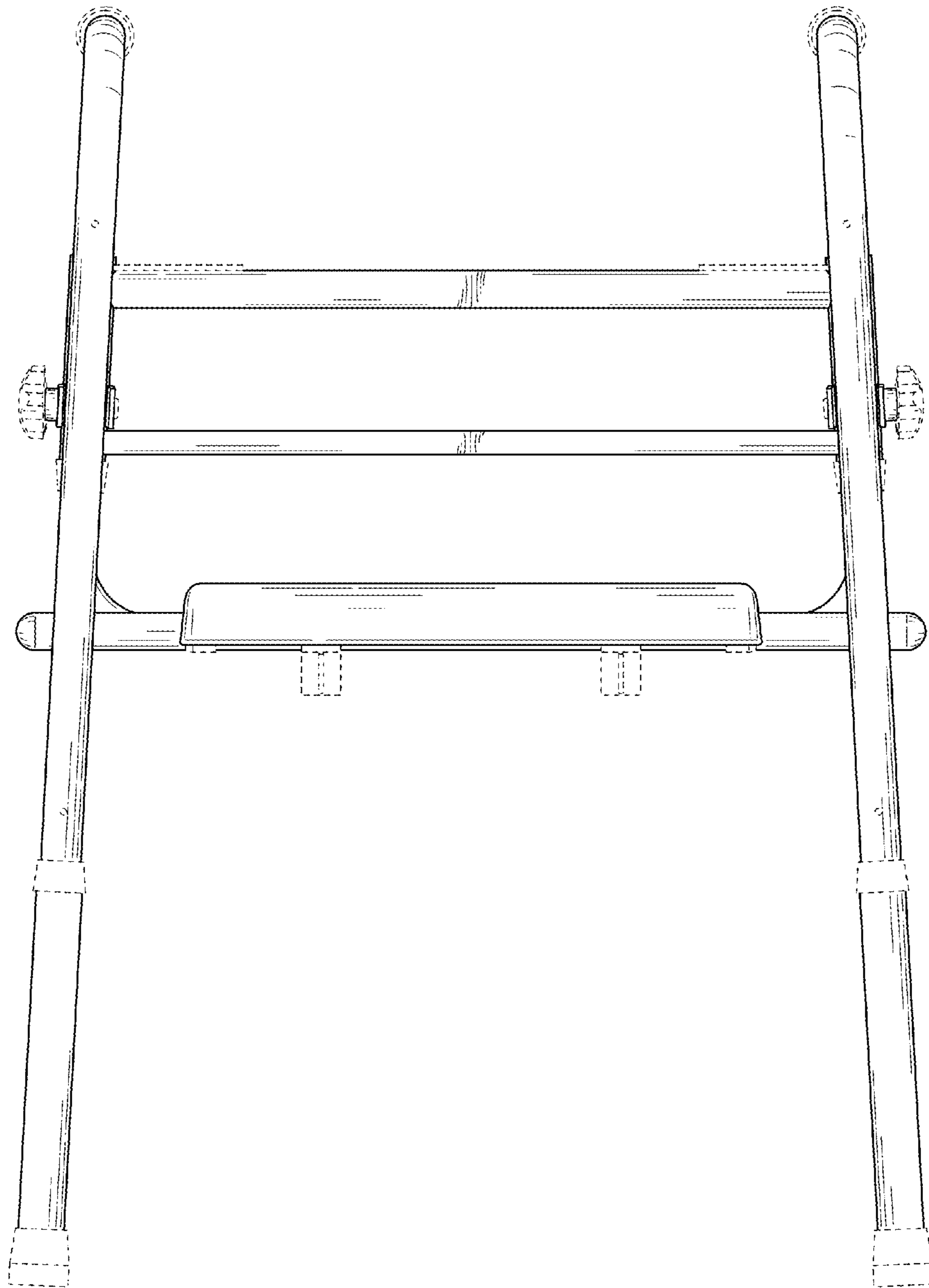


FIG. 2

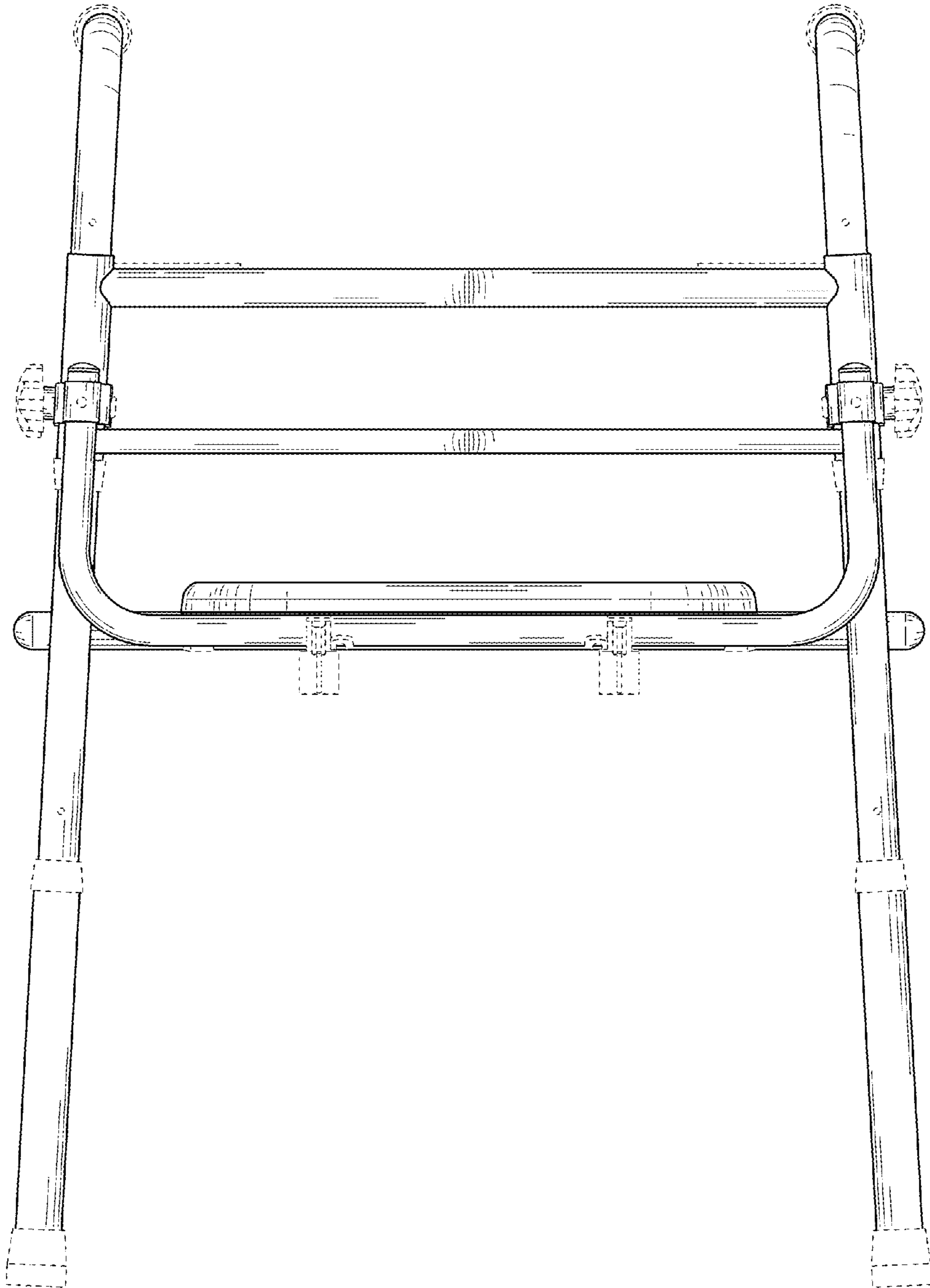


FIG. 3

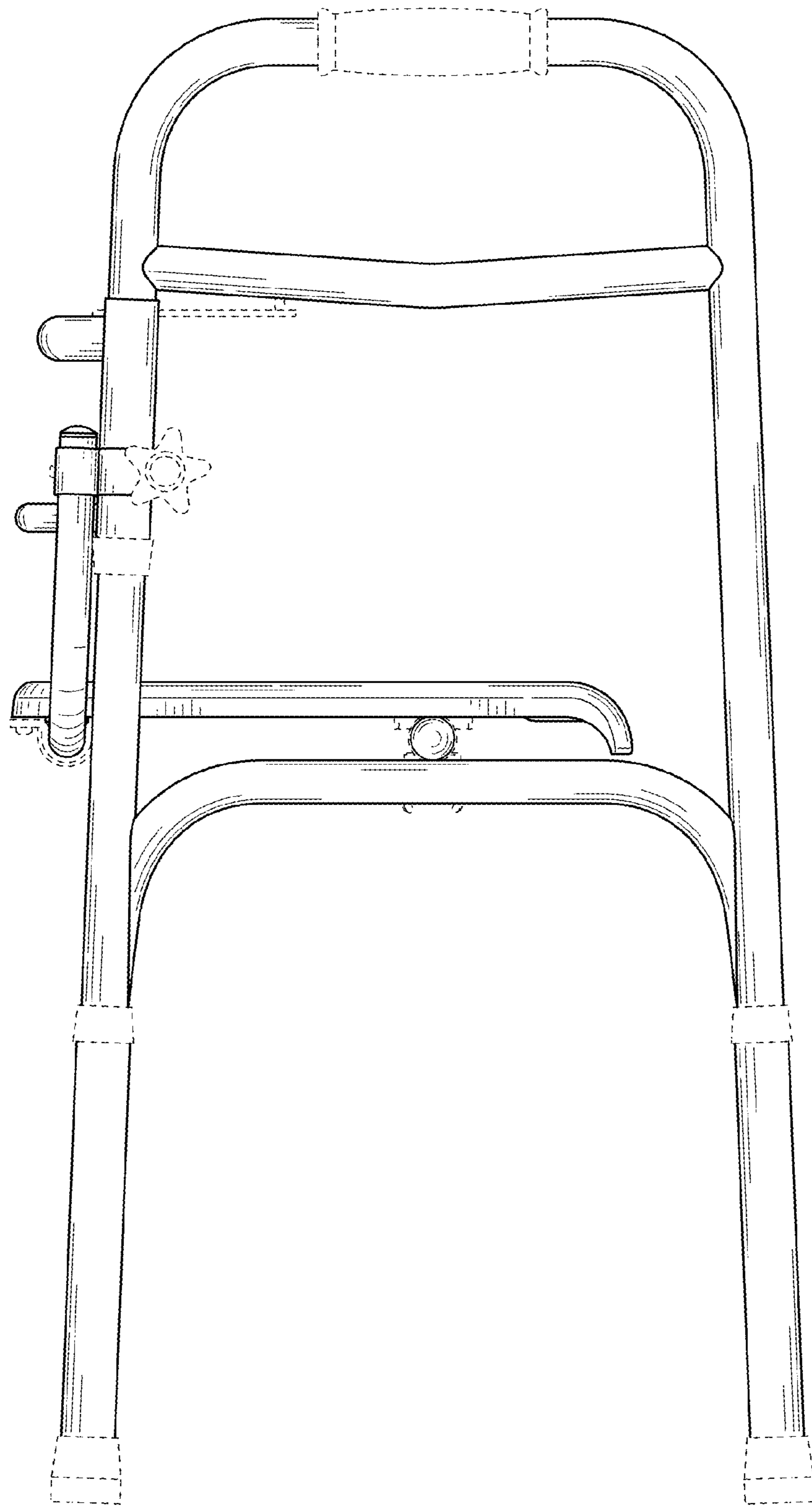


FIG. 4

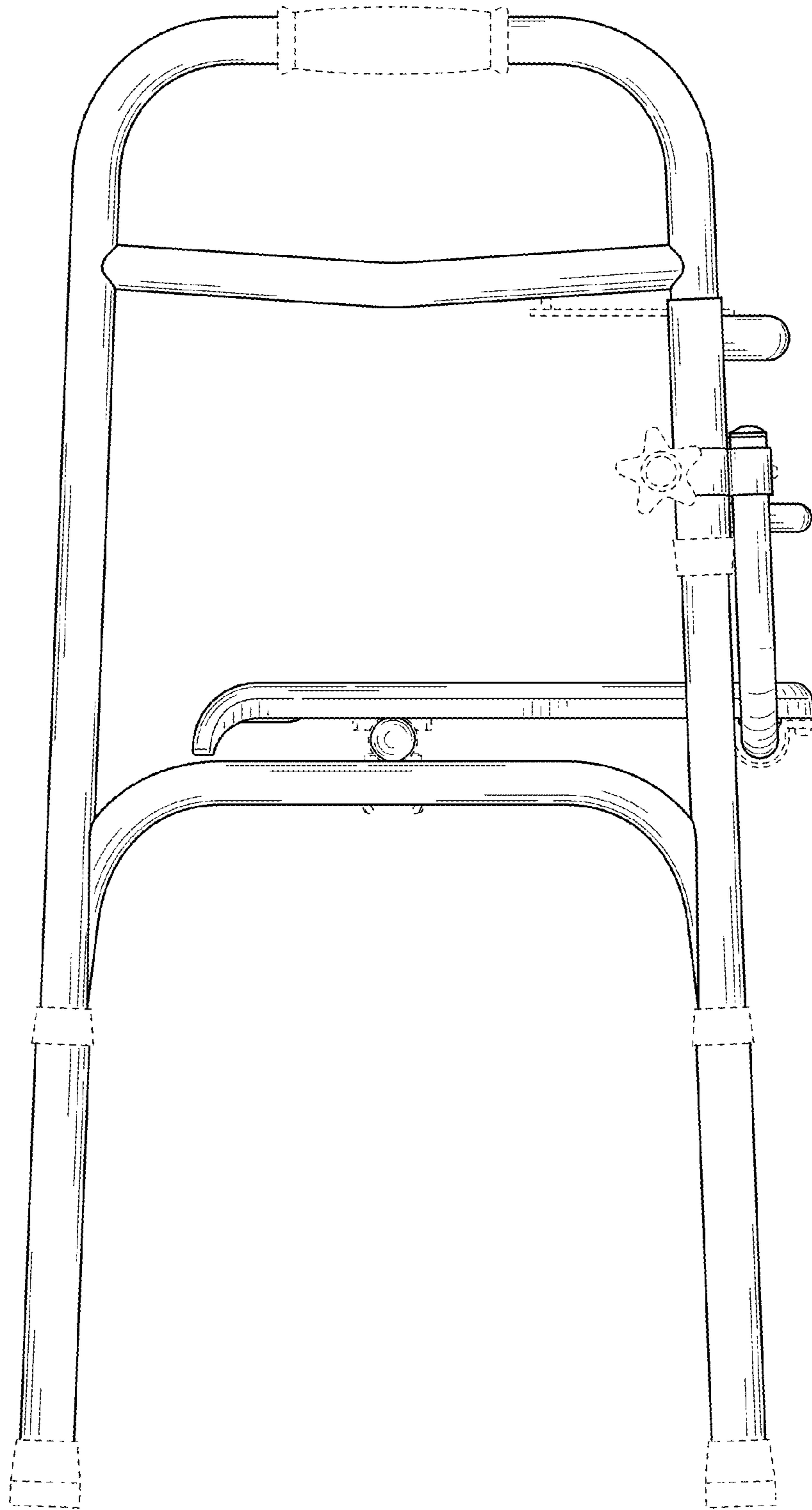


FIG. 5

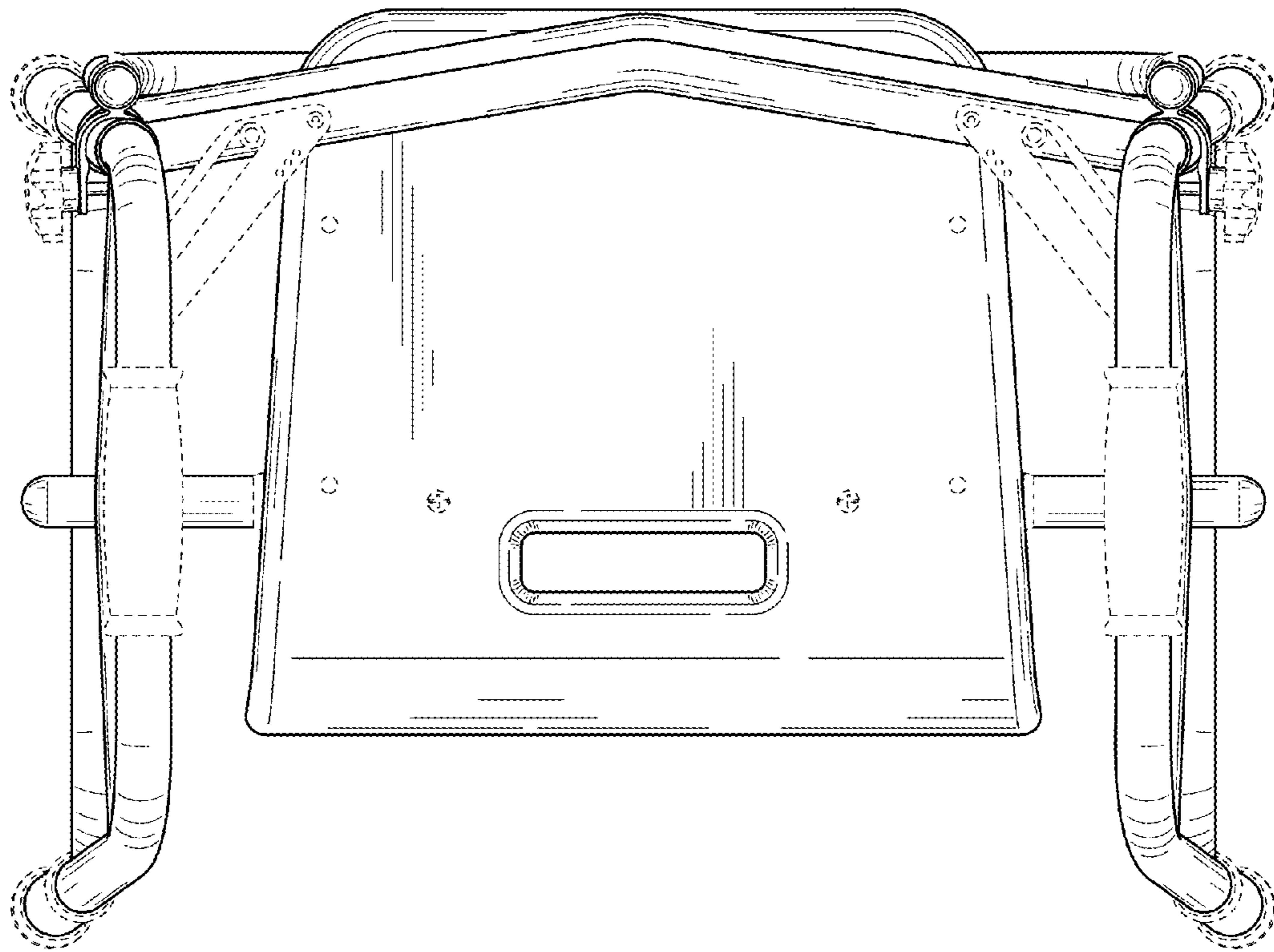


FIG. 6

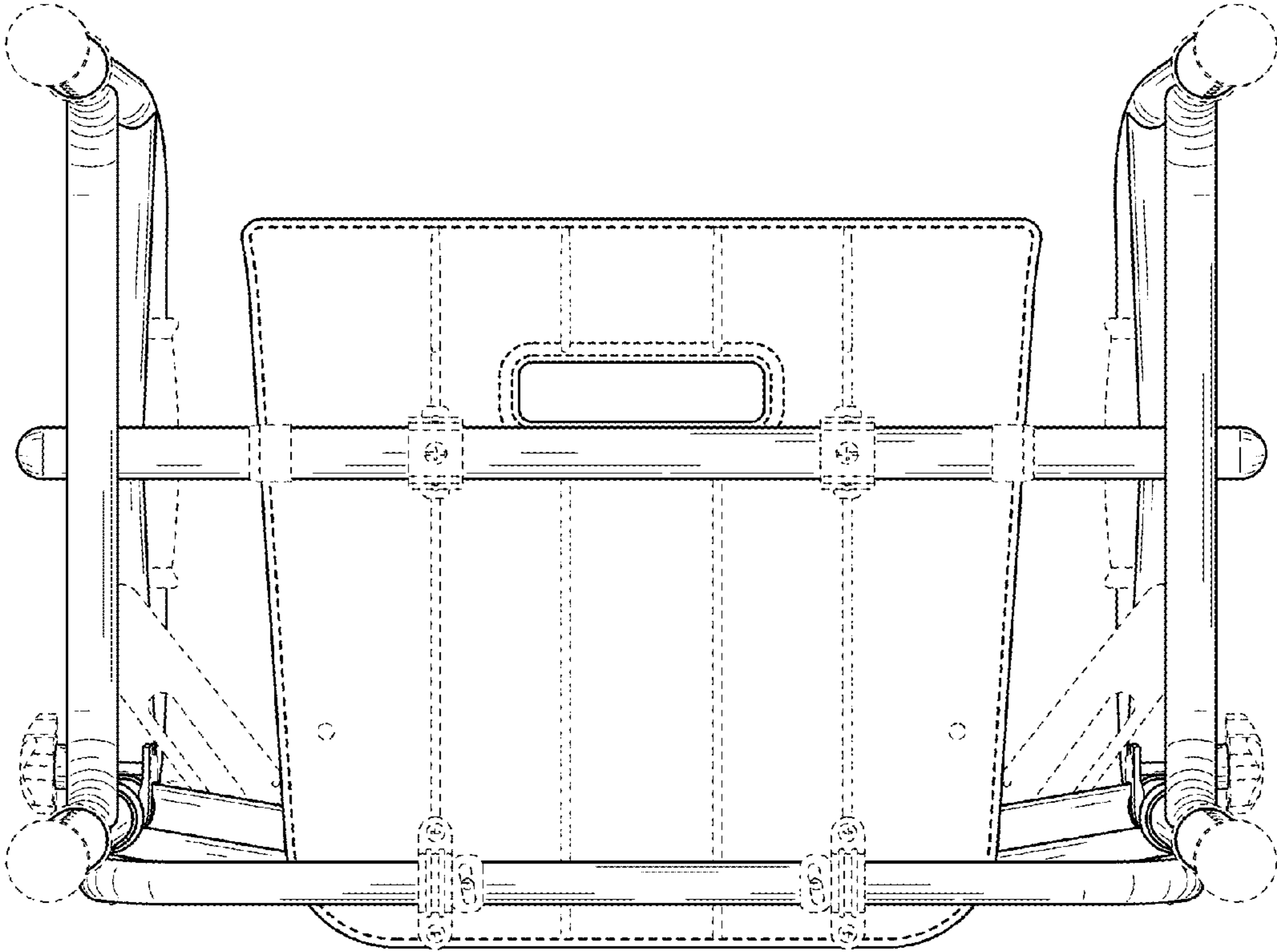


FIG. 7