



US00D751949S

(12) **United States Design Patent**
Santana

(10) **Patent No.:** **US D751,949 S**
(45) **Date of Patent:** **** Mar. 22, 2016**

(54) **MOTORCYCLE STIRRUP**
(71) Applicant: **Devin Santana**, Nebraska City, NE (US)
(72) Inventor: **Devin Santana**, Nebraska City, NE (US)
(**) Term: **14 Years**
(21) Appl. No.: **29/498,332**
(22) Filed: **Aug. 1, 2014**

4,179,869 A * 12/1979 Horst B68C 1/16
24/164
4,233,712 A * 11/1980 Horst A44B 11/226
24/166
4,413,465 A * 11/1983 Blevins B68C 1/16
24/164
D279,036 S 5/1985 Ludwig
4,531,346 A 7/1985 Brown
4,608,812 A 9/1986 Willson
5,216,874 A * 6/1993 Farrow B68C 1/16
54/46.1
5,704,198 A 1/1998 Beauchane

(Continued)

Related U.S. Application Data

(63) Continuation-in-part of application No. 29/467,662,
filed on Sep. 24, 2013, now Pat. No. Des. 715,197.
(51) **LOC (10) Cl.** **12-11**
(52) **U.S. Cl.**
USPC **D12/114**
(58) **Field of Classification Search**
USPC 280/291; 296/75; 74/564; D12/114;
54/46.1, 47, 44.2, 48, 49; D3/324;
D30/142; 24/164, 177
CPC B68C 3/00; B68C 1/16; B68C 3/02;
B68C 2003/0041; B68C 2003/0091
See application file for complete search history.

OTHER PUBLICATIONS

U.S. Appl. No. 29/498,333, filed Aug. 1, 2014.

Primary Examiner — Robert M Spear

Assistant Examiner — Ryan Harvey

(74) *Attorney, Agent, or Firm* — Tyson B. Benson; Advent,
LLP

(57) **CLAIM**

The ornamental design for a motorcycle stirrup, as shown and
described.

DESCRIPTION

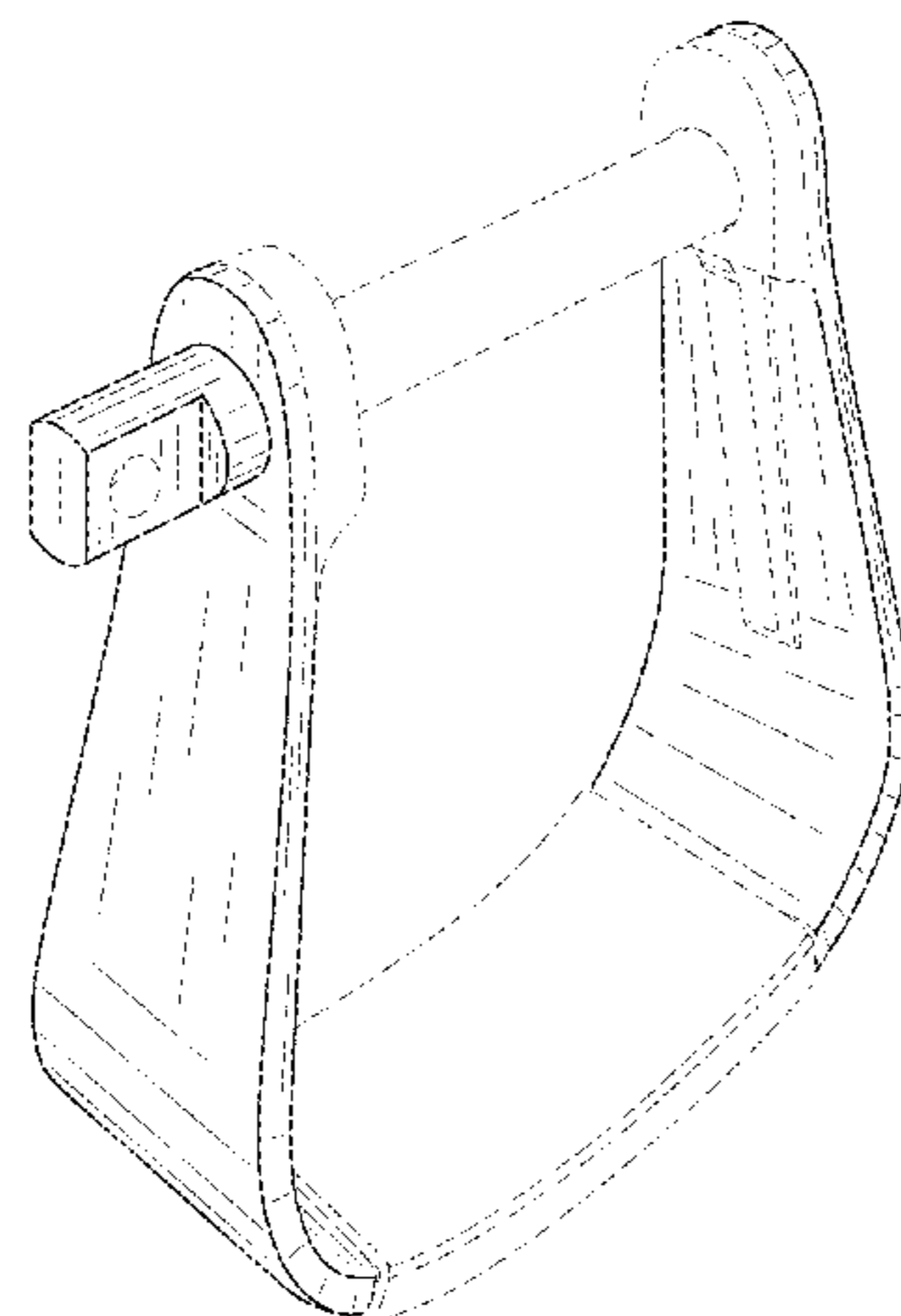
FIG. 1 is an isometric view of a motorcycle stirrup.
FIG. 2 is a front elevation view of the motorcycle stirrup of
FIG. 1.
FIG. 3 is rear elevation view of the motorcycle stirrup of FIG.
1.
FIG. 4 is a left side elevation view of the motorcycle stirrup of
FIG. 1.
FIG. 5 is a right side elevation view of the motorcycle stirrup
of FIG. 1.
FIG. 6 is a top plan view of the motorcycle stirrup of FIG. 1.
FIG. 7 is a bottom plan view of the motorcycle stirrup of FIG.
1; and,
FIG. 8 is an isometric view of a motorcycle stirrup shown in
use on a portion of a motorcycle.
Portions of FIGS. 1 through 7 and the motorcycle shown in
FIG. 8 are shown in broken lines to illustrate portions of the
article and environmental subject matter that form no part of
the claimed design.

(56) **References Cited**

U.S. PATENT DOCUMENTS

267,961 A * 11/1882 Woolworth B68C 3/00
54/47
1,020,752 A * 3/1912 Flora B68C 3/00
54/47
1,174,712 A * 3/1916 Gunn B68C 3/00
54/47
1,991,648 A 2/1935 Armentrout
2,532,082 A 11/1950 Borst
2,718,682 A * 9/1955 Nichols B68C 1/16
24/453
3,276,185 A * 10/1966 Jahn B68C 3/025
54/49
3,423,904 A * 1/1969 Stubblefield B68C 3/02
54/49
3,512,339 A * 5/1970 Roberts B68C 3/00
54/48
4,141,198 A 2/1979 Gaertner

1 Claim, 7 Drawing Sheets



US D751,949 S

Page 2

(56)

References Cited

U.S. PATENT DOCUMENTS

5,709,070 A 1/1998 Peters
6,173,558 B1 1/2001 Burke, Jr.
D485,790 S 1/2004 Sprague

7,025,369 B1 4/2006 Sine
7,380,390 B1 6/2008 Brassfield
7,487,627 B2 2/2009 Godoy
D715,197 S * 10/2014 Santana D12/114

* cited by examiner

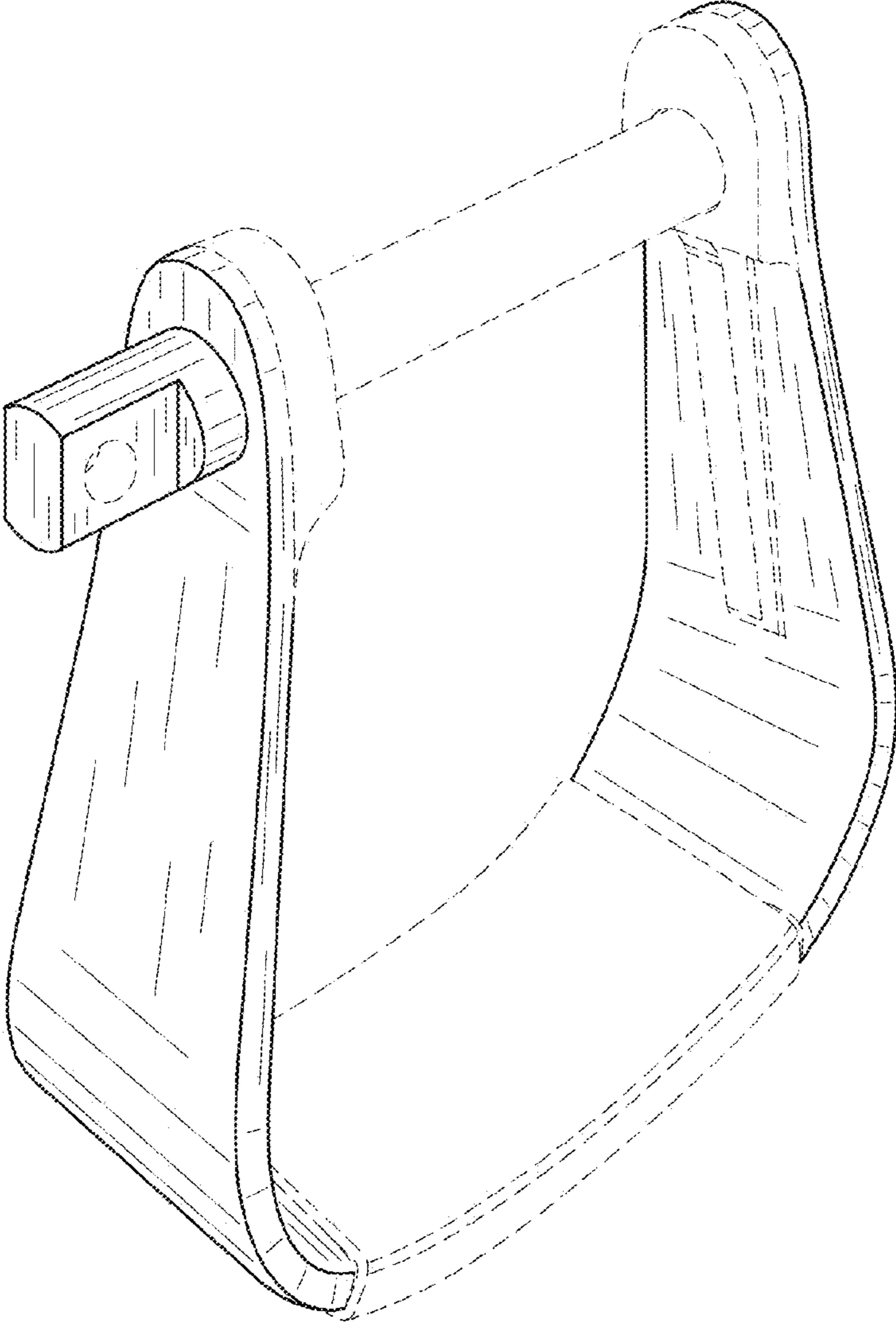


FIG. 1

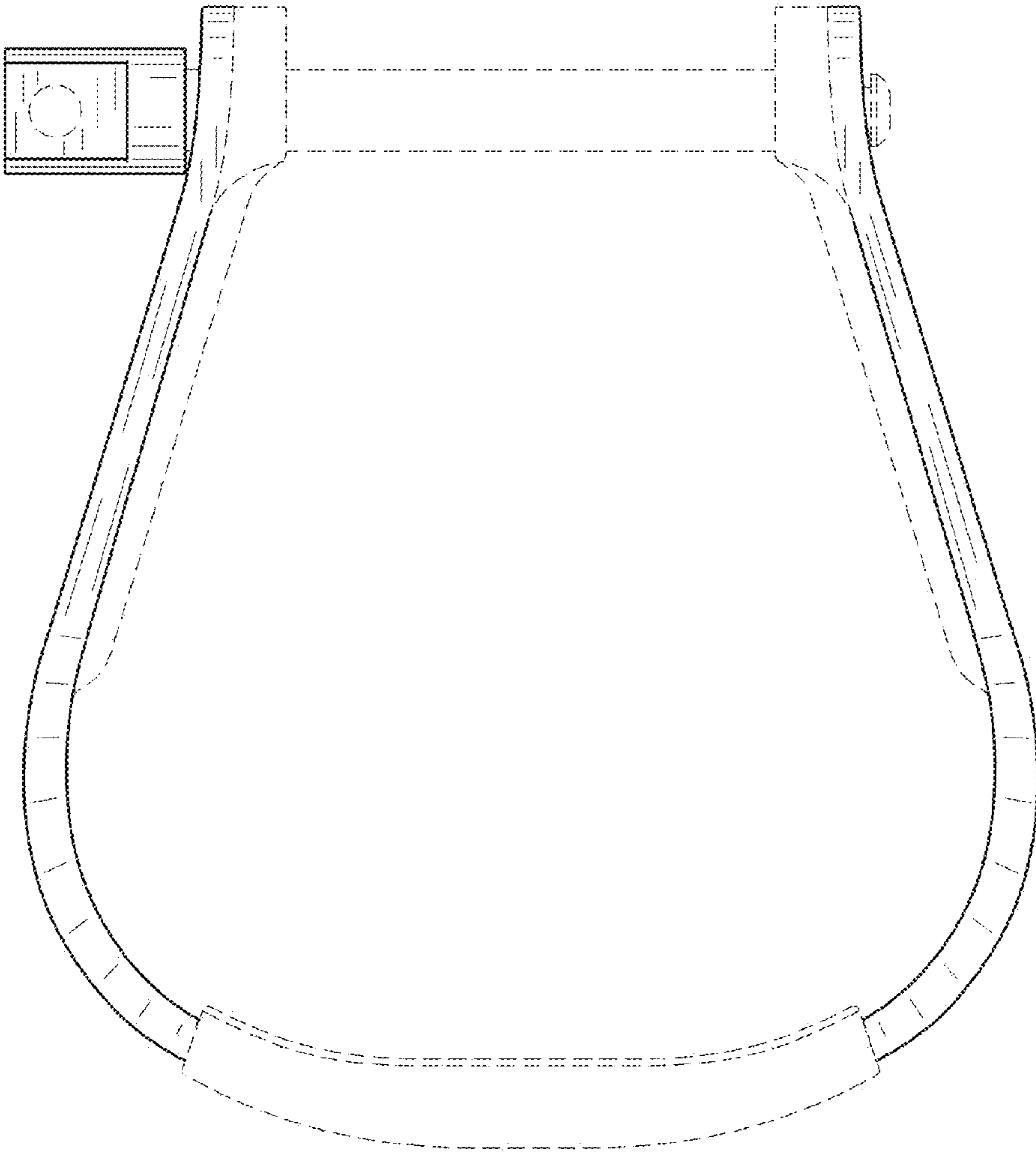


FIG. 2

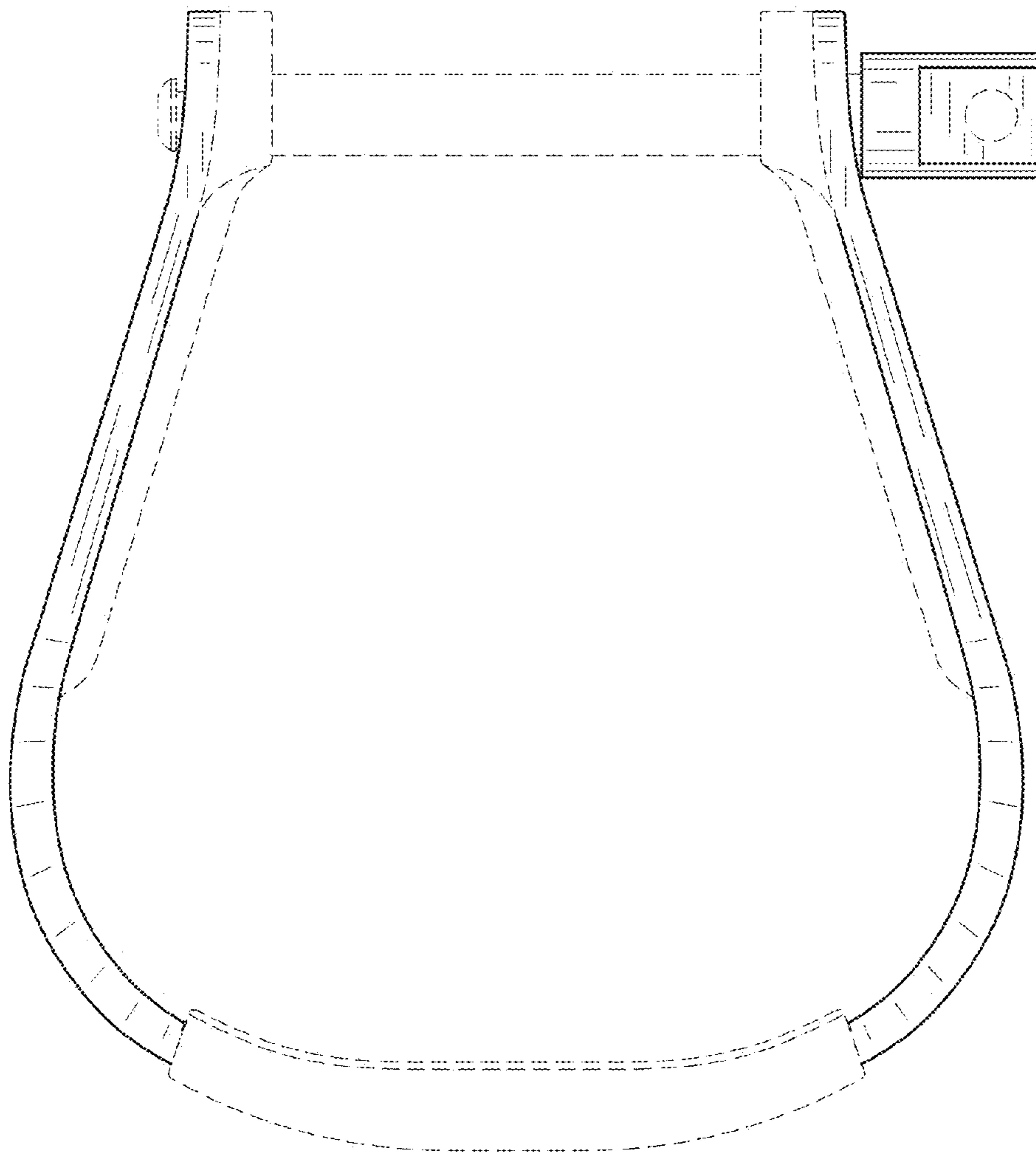


FIG. 3

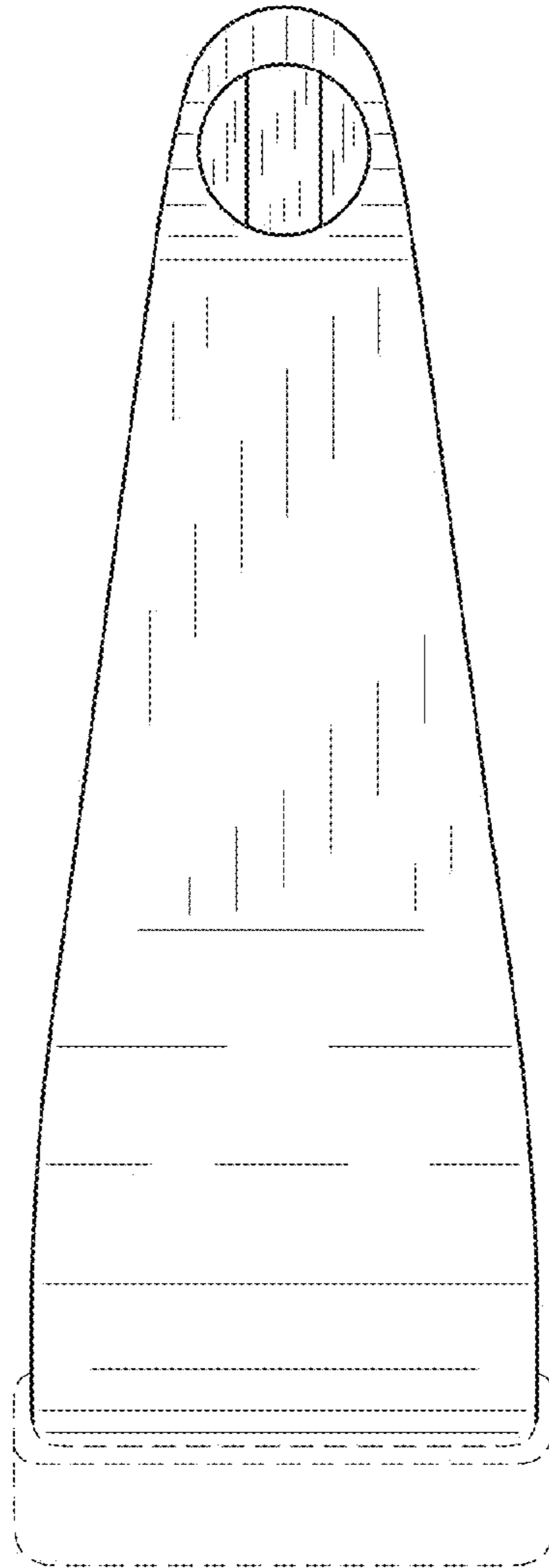


FIG. 4

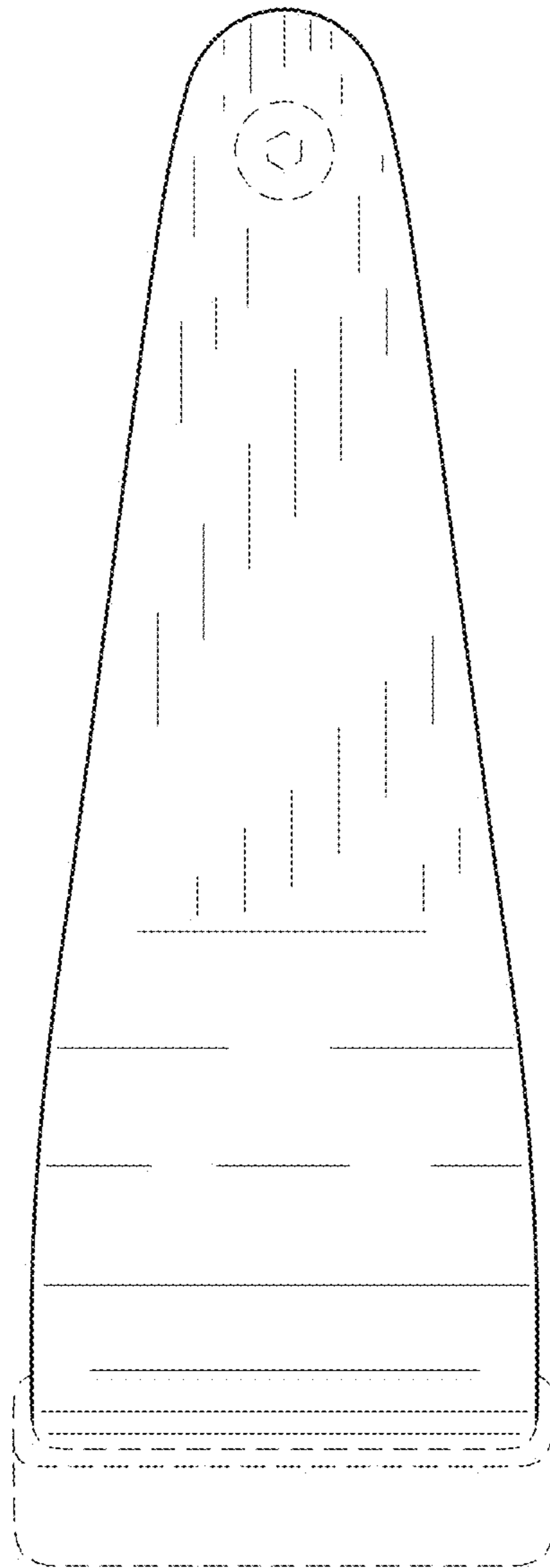


FIG. 5



FIG. 6



FIG. 7

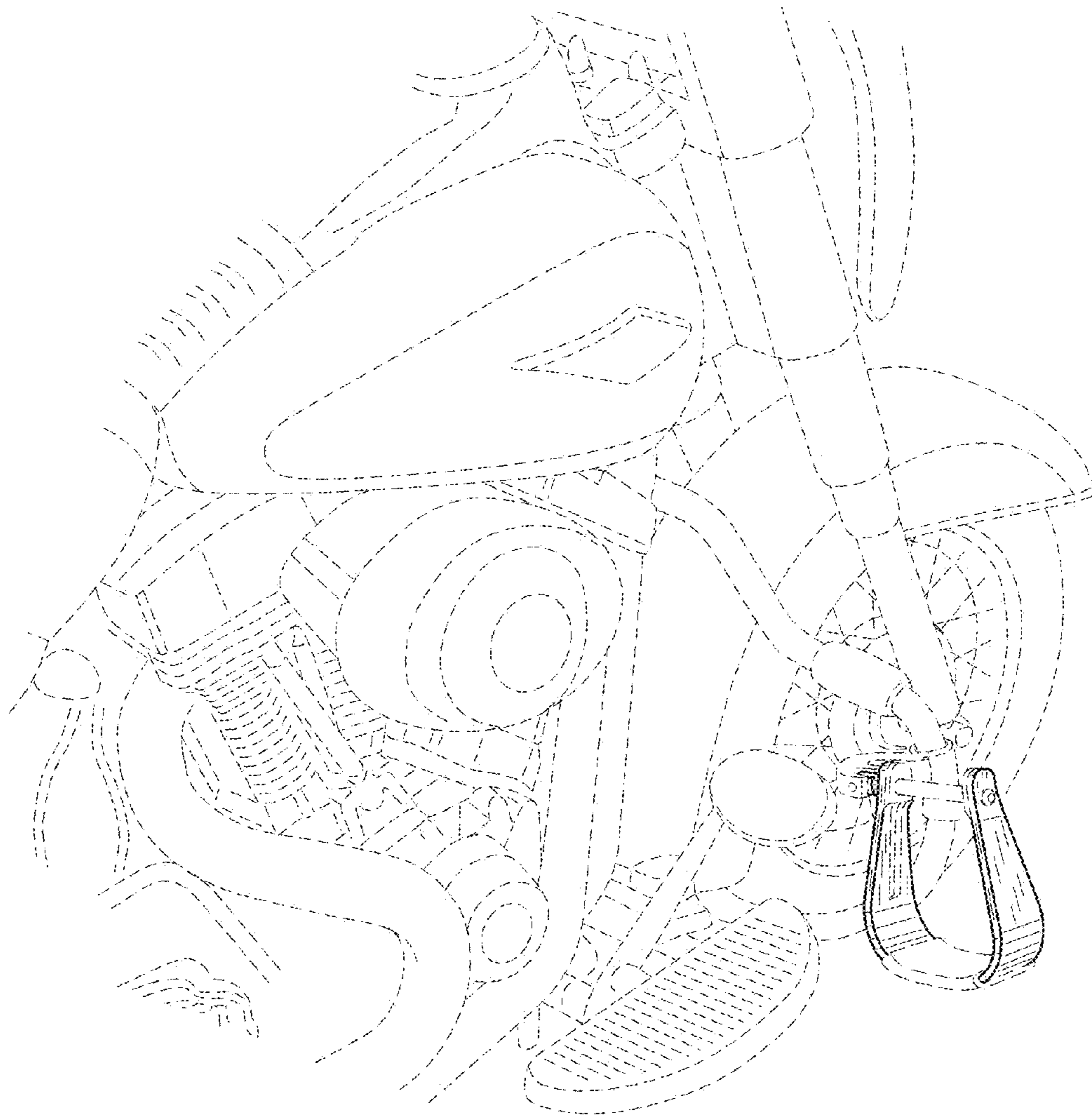


FIG. 8