



US00D751948S

(12) **United States Design Patent**  
**Bloch**

(10) **Patent No.:** **US D751,948 S**  
(45) **Date of Patent:** **\*\* Mar. 22, 2016**

(54) **BICYCLE WARNING SIGN**  
(71) Applicant: **Janel Bloch**, Boca Raton, FL (US)  
(72) Inventor: **Janel Bloch**, Boca Raton, FL (US)  
(\*\*) Term: **14 Years**  
(21) Appl. No.: **29/493,464**  
(22) Filed: **Jun. 10, 2014**  
(51) **LOC (10) Cl.** ..... **12-11**  
(52) **U.S. Cl.**  
USPC ..... **D12/114; D10/109.1**  
(58) **Field of Classification Search**  
USPC ..... D12/114; D10/109.1, 109.2, 113.4;  
D11/165, 166; D20/10, 17, 19, 22-29,  
D20/40-42, 99; 248/287, 229, 475 B, 475 R,  
248/476, 472, 479, 485, 487, 496; 403/53,  
403/58, 78, 79  
CPC ..... B62J 1/28; B62J 6/00; B62J 6/20;  
B62J 15/00  
See application file for complete search history.

4,321,883 A \* 3/1982 Rupp ..... B62J 6/20  
116/35 A  
4,422,615 A \* 12/1983 McManus ..... B62J 6/20  
248/229.11  
4,876,981 A \* 10/1989 Barnhart ..... G09F 17/00  
116/173  
D323,303 S \* 1/1992 Johansson ..... D10/111  
D332,232 S \* 1/1993 Johnson ..... D12/223  
D340,417 S \* 10/1993 Popp ..... D10/109.1  
D383,080 S \* 9/1997 Derrick ..... D10/113.4  
D397,632 S \* 9/1998 Evanyk ..... D10/113.4  
D487,406 S \* 3/2004 Anderson ..... D10/109.1  
D507,502 S \* 7/2005 Willnow ..... D10/113.4  
D564,595 S \* 3/2008 Barrett ..... D20/29  
D744,594 S \* 12/2015 Bigham ..... D20/10

\* cited by examiner

*Primary Examiner* — Philip S Hyder  
*Assistant Examiner* — Darlington Ly  
(74) *Attorney, Agent, or Firm* — Robert C. Kain, Jr.

(57) **CLAIM**  
The ornamental design for a bicycle warning sign, as shown and described.

**DESCRIPTION**

FIG. 1 is a front elevation view of the bicycle warning sign. FIG. 2 is a right-side view of the bicycle warning sign. FIG. 3 is a left-side view of the bicycle warning sign. FIG. 4 is a top view of the bicycle warning sign. FIG. 5 is a bottom view of the bicycle warning sign; and, FIG. 6 is a rear view of the bicycle warning sign. The broken line showing the bicycle is for the purposes of illustrating an environmental structure and forms no part of the claimed design.

**1 Claim, 6 Drawing Sheets**

(56) **References Cited**

**U.S. PATENT DOCUMENTS**

1,626,565 A \* 4/1927 Stanton ..... G09F 3/18  
40/1  
3,586,348 A \* 6/1971 Rich, Jr. .... B62J 6/20  
116/28 R  
3,722,841 A \* 3/1973 Ciolfi ..... B62J 11/00  
224/422  
3,975,849 A \* 8/1976 Tuleja ..... B60Q 7/005  
116/63 T  
4,243,241 A \* 1/1981 Davis ..... B62J 15/00  
280/158.1

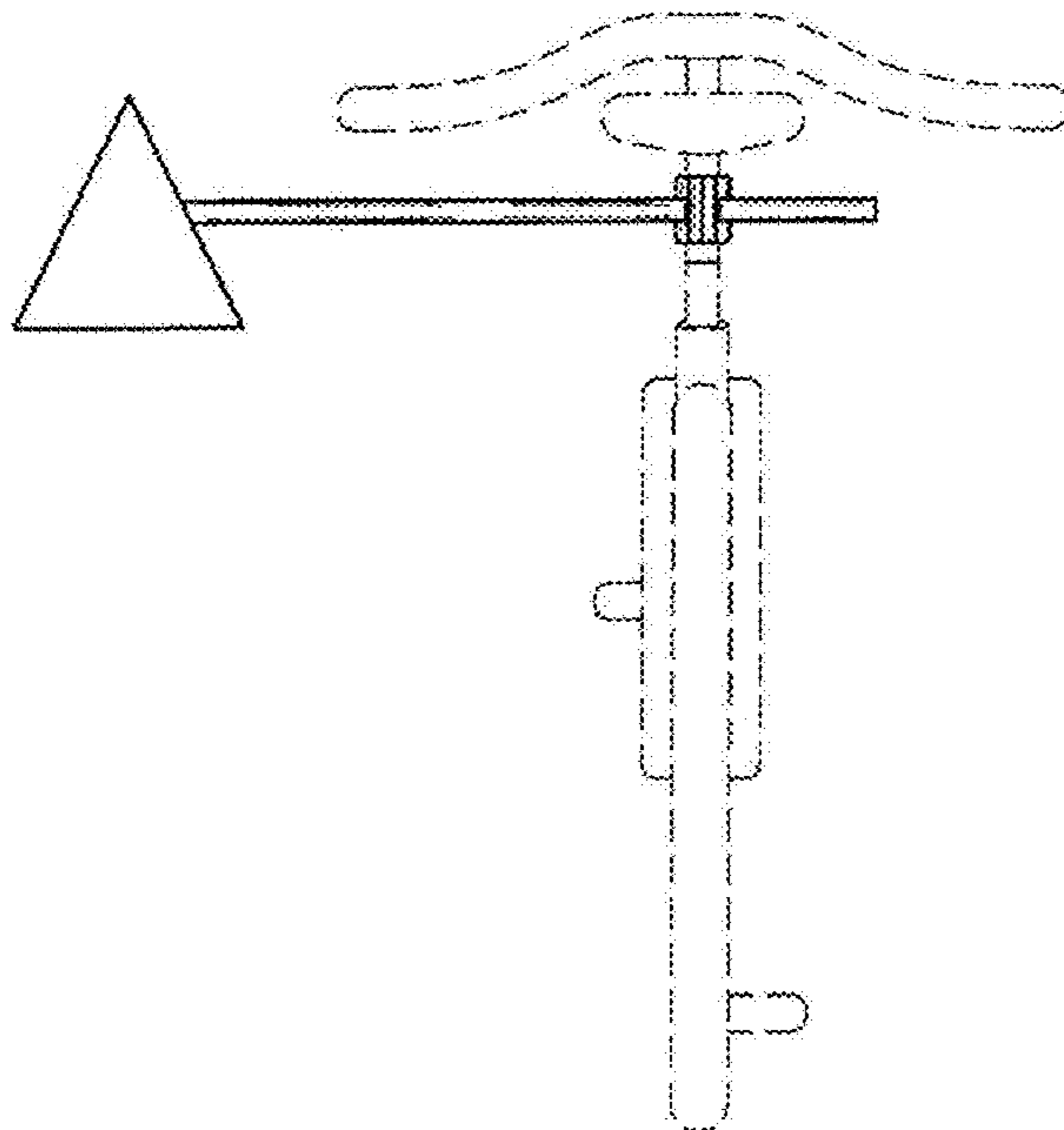


FIG.1

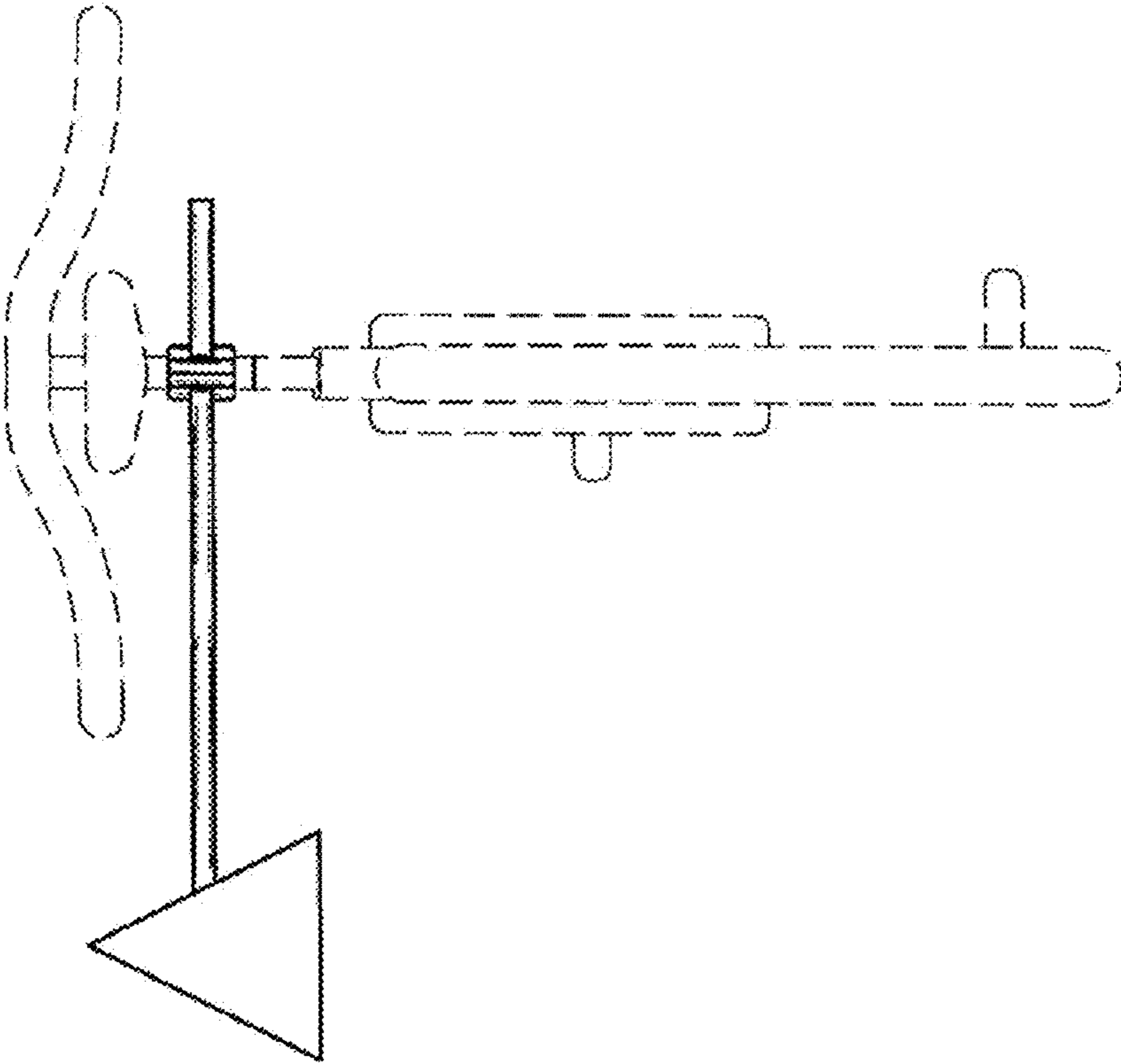


FIG. 2

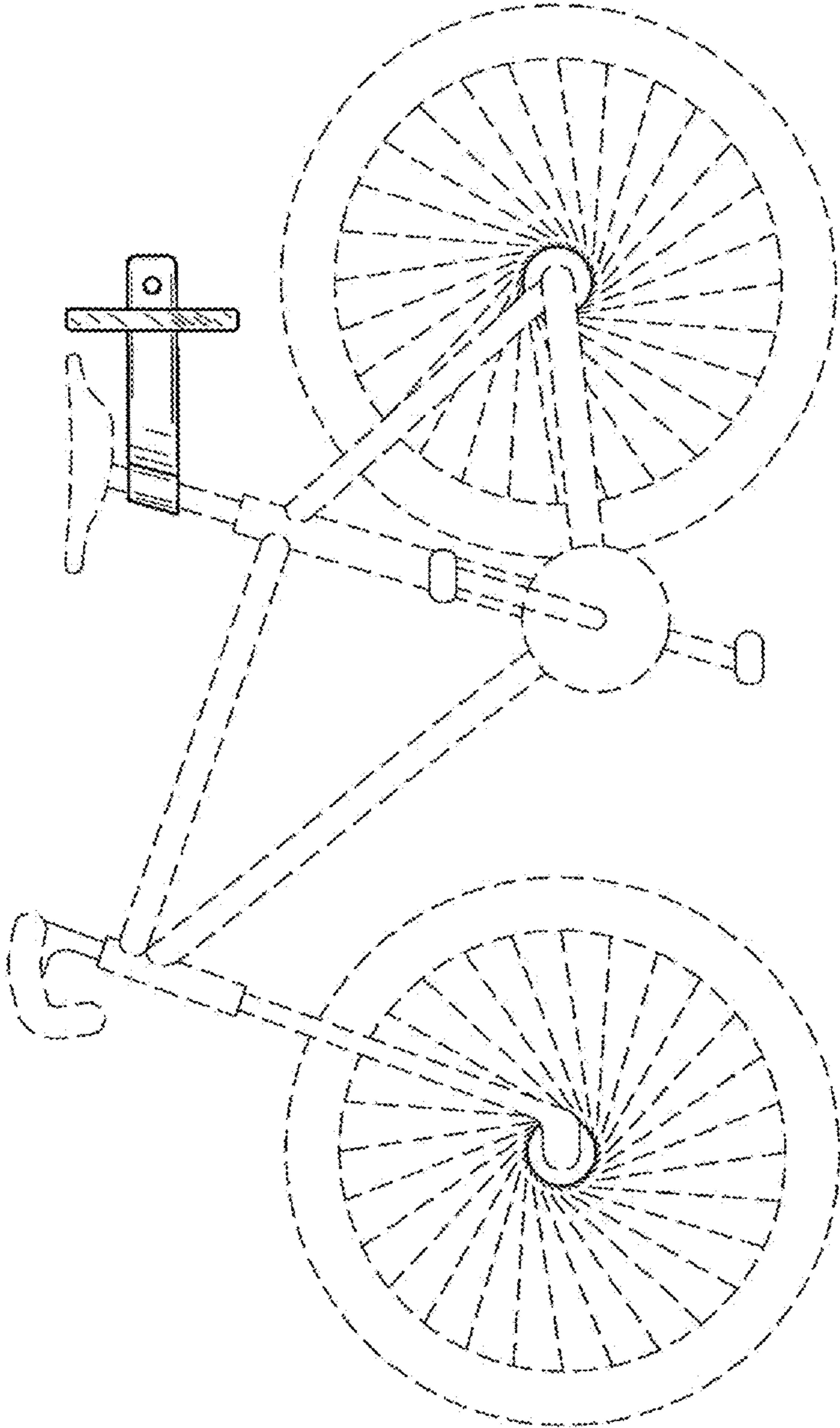


FIG. 3

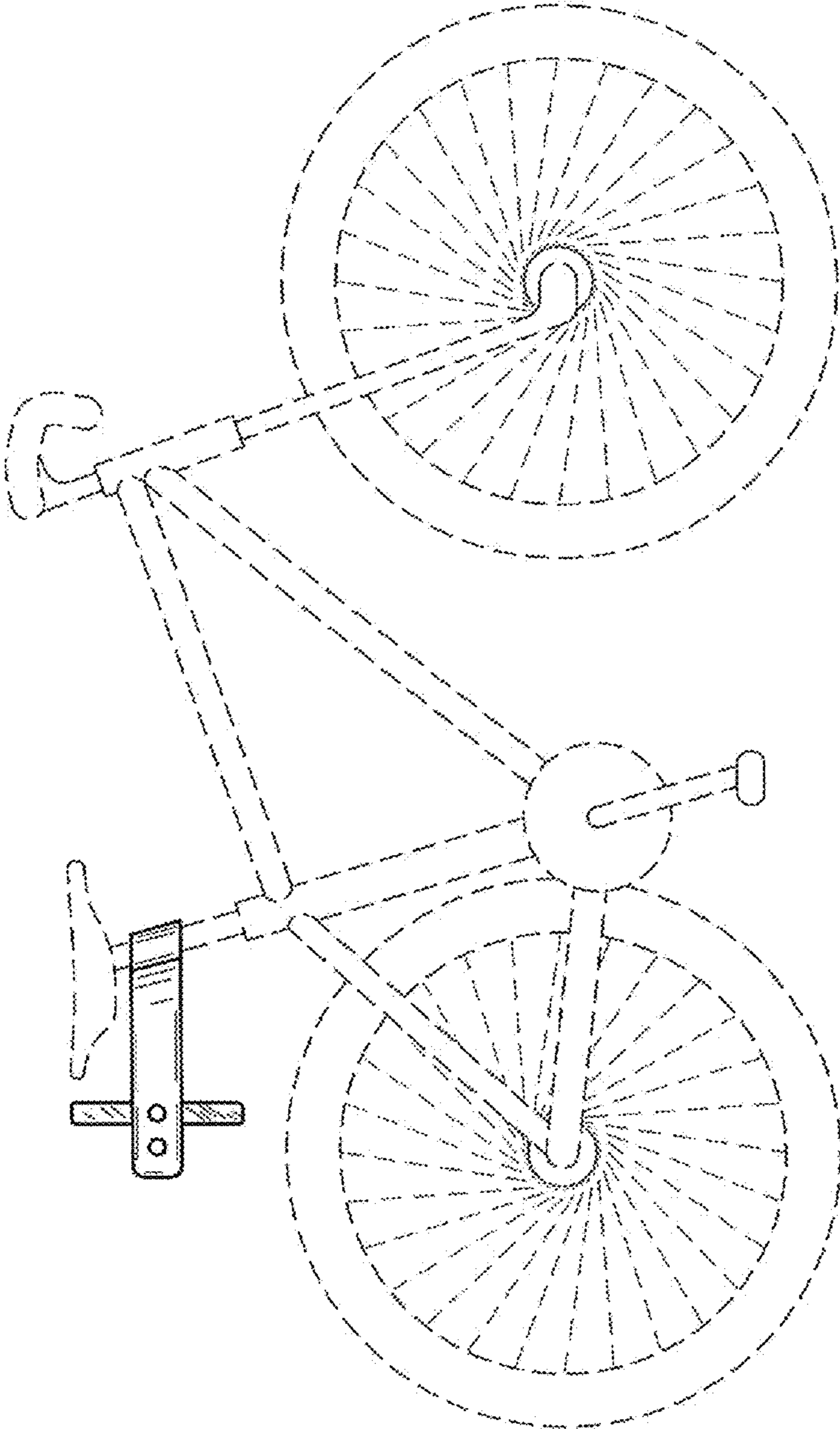


FIG. 4

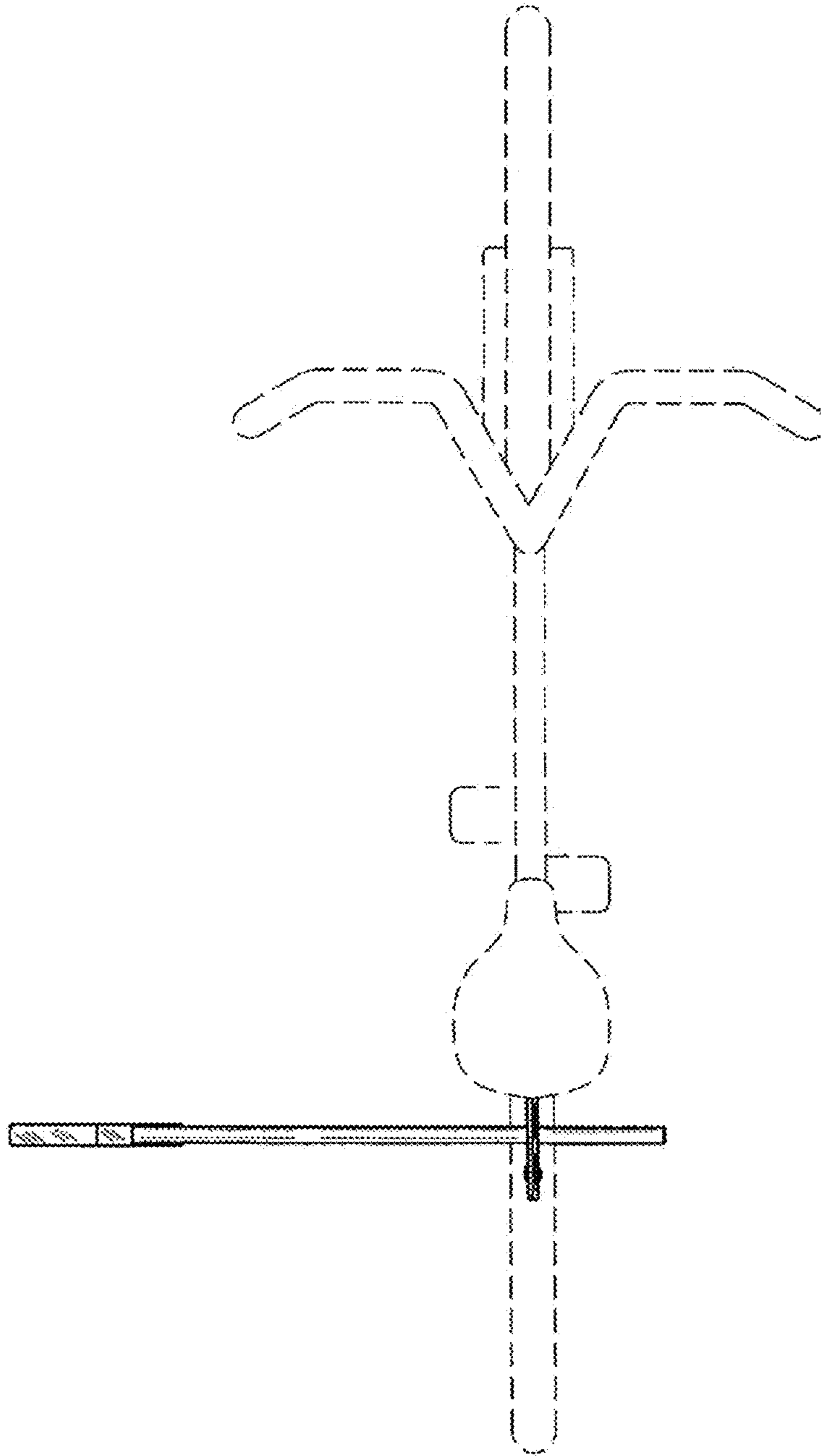


FIG. 5

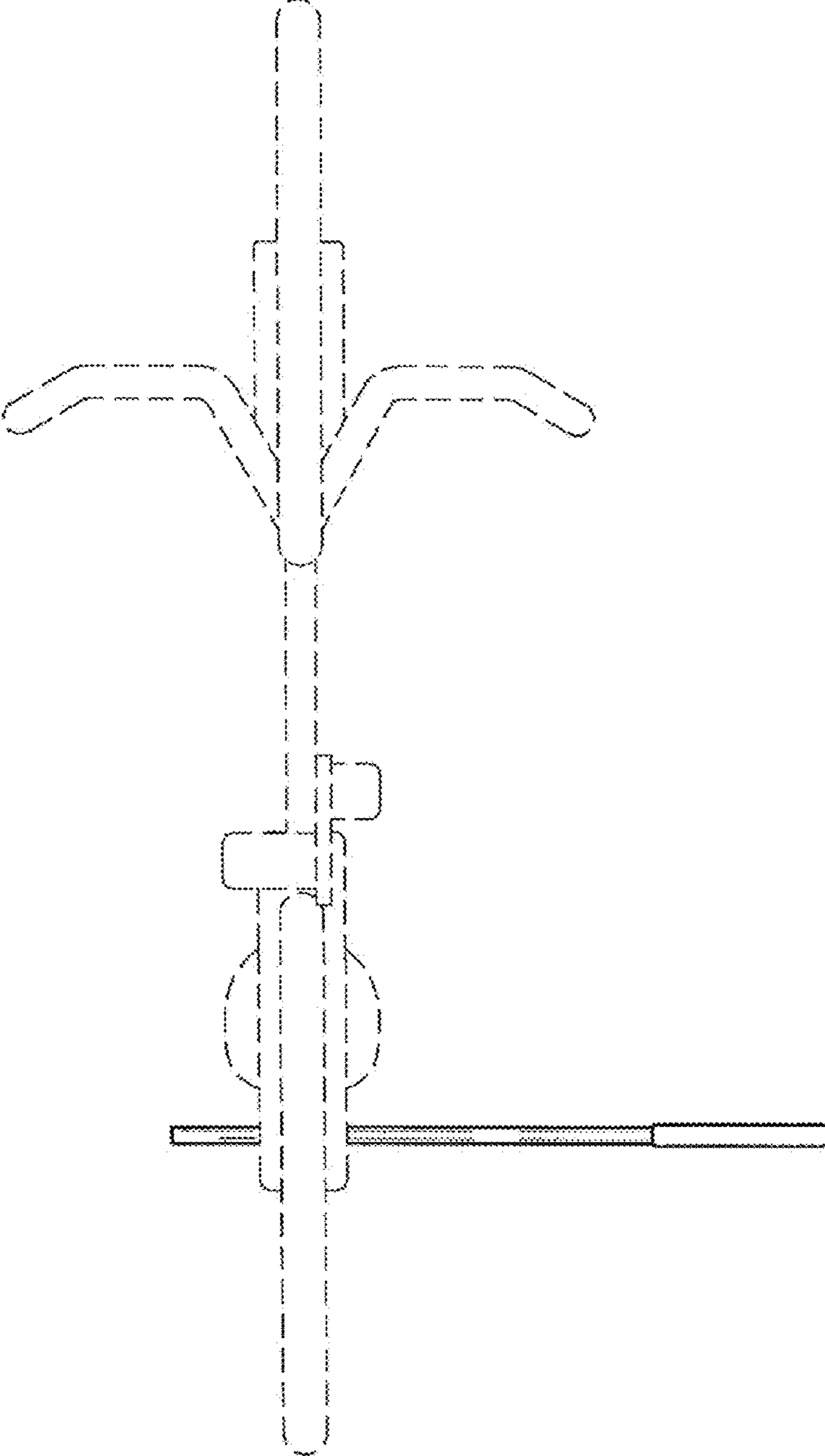




FIG. 6

