



US00D751947S

(12) **United States Design Patent**
Kiel et al.

(10) **Patent No.:** **US D751,947 S**
(45) **Date of Patent:** **** Mar. 22, 2016**

- (54) **VEHICLE MOUNTED GUNNER PROTECTIVE ENCLOSURE**
- (71) Applicants: **Thomas J. Kiel**, Bernardsville, NJ (US);
Allen T. Brokaw, Hackettstown, NJ (US)
- (72) Inventors: **Thomas J. Kiel**, Bernardsville, NJ (US);
Allen T. Brokaw, Hackettstown, NJ (US)

| | | | | |
|-------------------|--------|-----------|-------|-------------|
| D622,182 S * | 8/2010 | Parimi | | D12/12 |
| 9,086,255 B1 * | 7/2015 | Berman | | F41H 5/20 |
| 2009/0120274 A1 * | 5/2009 | Schneider | | F41H 5/20 |
| | | | | 89/36.08 |
| 2011/0197747 A1 * | 8/2011 | Schneider | | F41H 5/013 |
| | | | | 89/36.08 |
| 2012/0188078 A1 * | 7/2012 | Soles | | G08B 13/126 |
| | | | | 340/540 |
| 2013/0111734 A1 * | 5/2013 | Allor | | F41H 7/042 |
| | | | | 29/525.02 |
| 2014/0083284 A1 * | 3/2014 | Chu | | F41H 5/013 |
| | | | | 89/36.02 |

- (73) Assignee: **The United States of America as Represented by the Secretary of the Army**, Washington, DC (US)

* cited by examiner

Primary Examiner — T. Chase Nelson

Assistant Examiner — Ania Aman

- (**) Term: **14 Years**

(74) *Attorney, Agent, or Firm* — Henry S. Goldfine

- (21) Appl. No.: **29/502,931**

(57) **CLAIM**

The ornamental design for a vehicle mounted gunner protective enclosure, as shown and described.

- (22) Filed: **Sep. 22, 2014**

- (51) **LOC (10) Cl.** **12-13**

- (52) **U.S. Cl.**
USPC **D12/12**

DESCRIPTION

- (58) **Field of Classification Search**
USPC D21/533, 539, 548–552, 557–560, 579,
D21/580–583, 442, 436, 447, 86, 91;
89/36.02, 36.08, 39.09, 904, 912, 914,
89/929, 930, 935, 936, 937, 36.13;
D12/12, 86–89, 91, 92, 98–100
CPC F41H 5/20; F41H 7/04; F41H 5/26;
F41H 5/013; F41H 7/02; F41H 5/18; F41H
5/14; F41H 7/00; F41H 7/03; F41H 7/048
See application file for complete search history.

The invention described and claimed herein may be manufactured, used, and licensed by or for the U.S. Government for U.S. Government purposes.

FIG. 1 is a perspective view of a gunner protective enclosure showing our new design;

FIG. 2 is a front elevation view thereof;

FIG. 3 is a rear elevation view thereof;

FIG. 4 is a right side elevation view thereof, the left side being a mirror image; and,

FIG. 5 is a top plan view thereof.

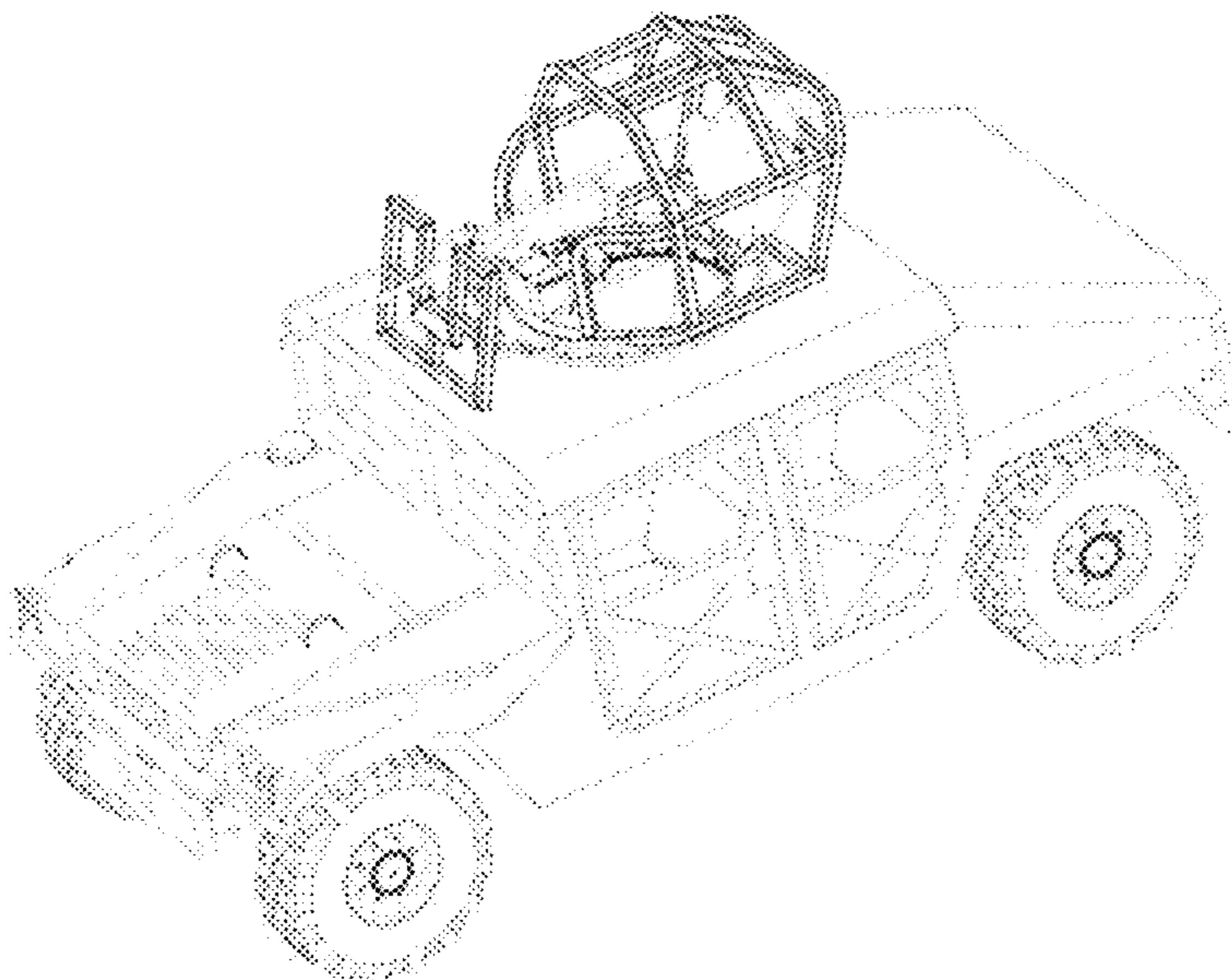
FIG. 1 contains, in broken lines, a typical vehicle upon which the subject new gunner protective enclosure design may be mounted—this vehicle is included merely for context and illustrative purposes and forms no part of the claimed design.

- (56) **References Cited**

U.S. PATENT DOCUMENTS

| | | | | |
|--------------|--------|------|-------|--------|
| D610,038 S * | 2/2010 | Kiel | | D12/12 |
| D619,044 S * | 7/2010 | Kiel | | D12/12 |

1 Claim, 5 Drawing Sheets



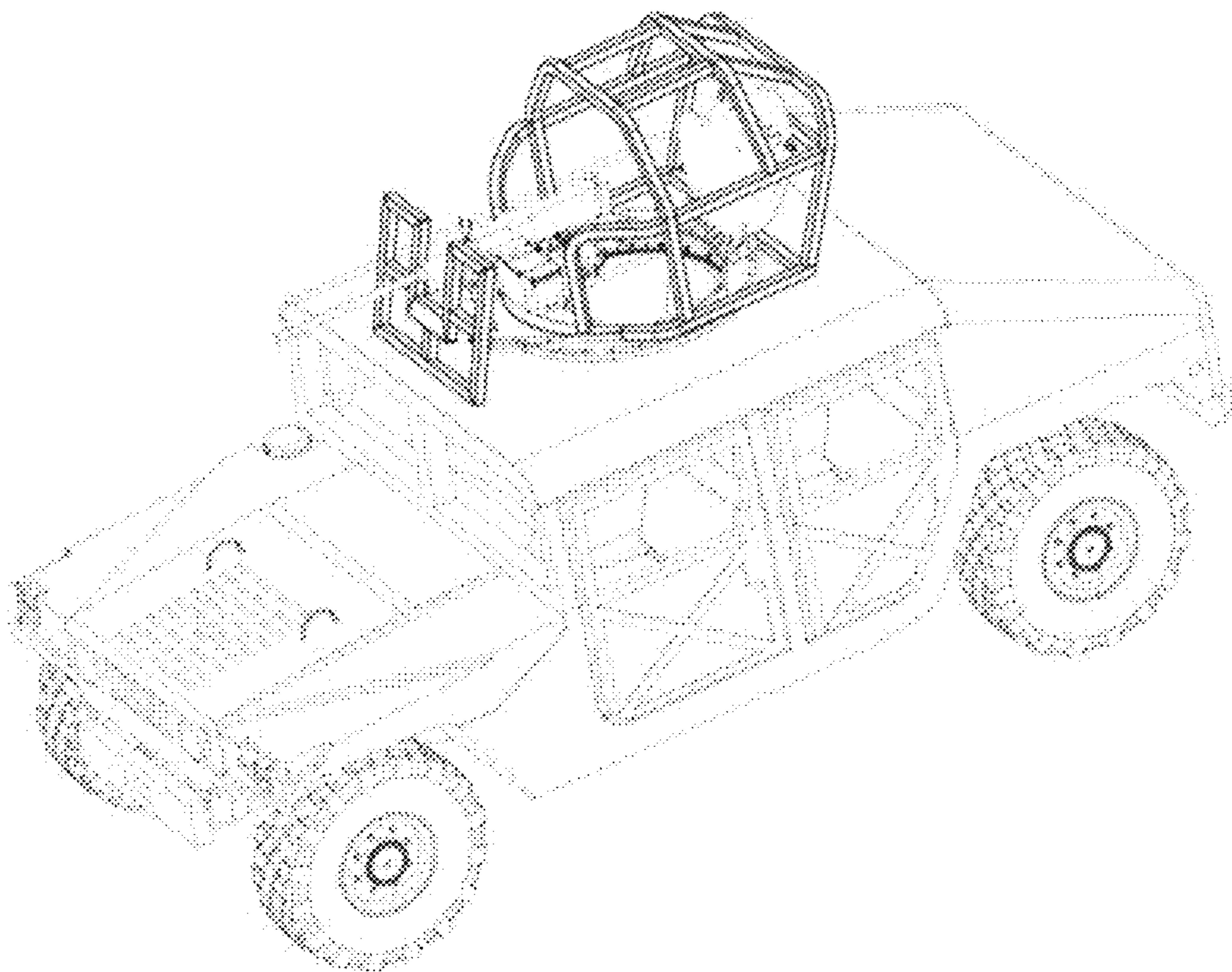


FIG. 1

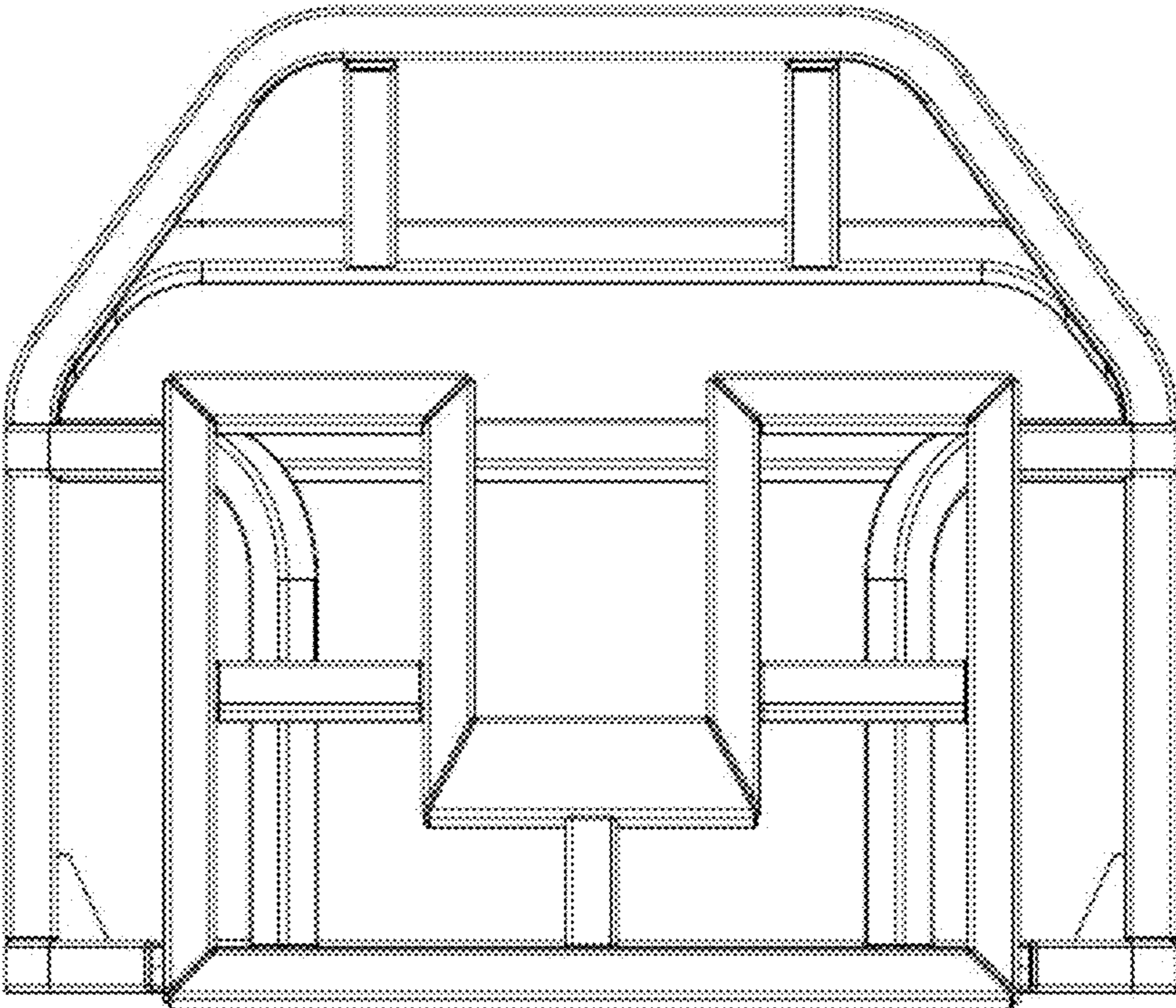


FIG. 2

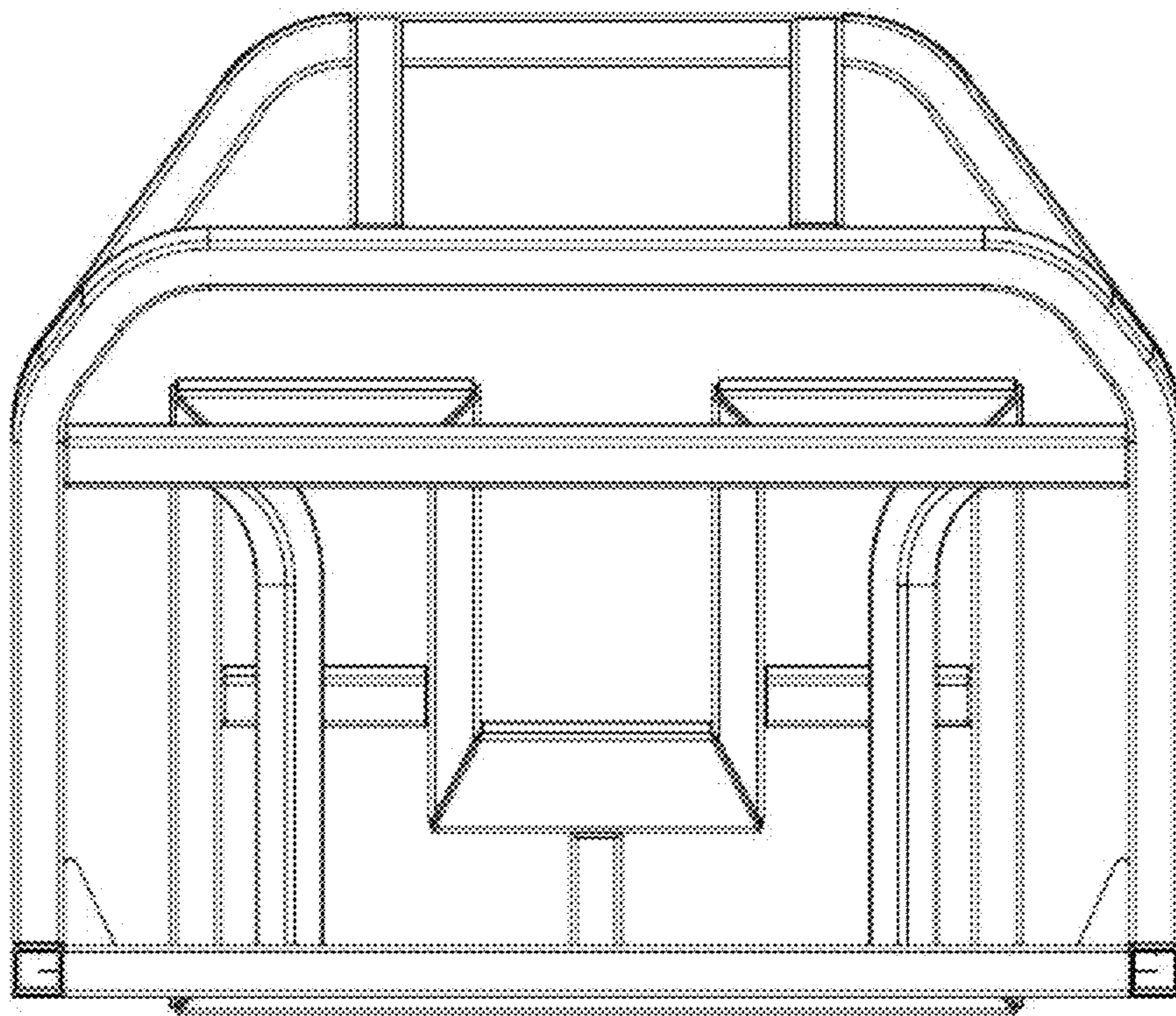


FIG. 3

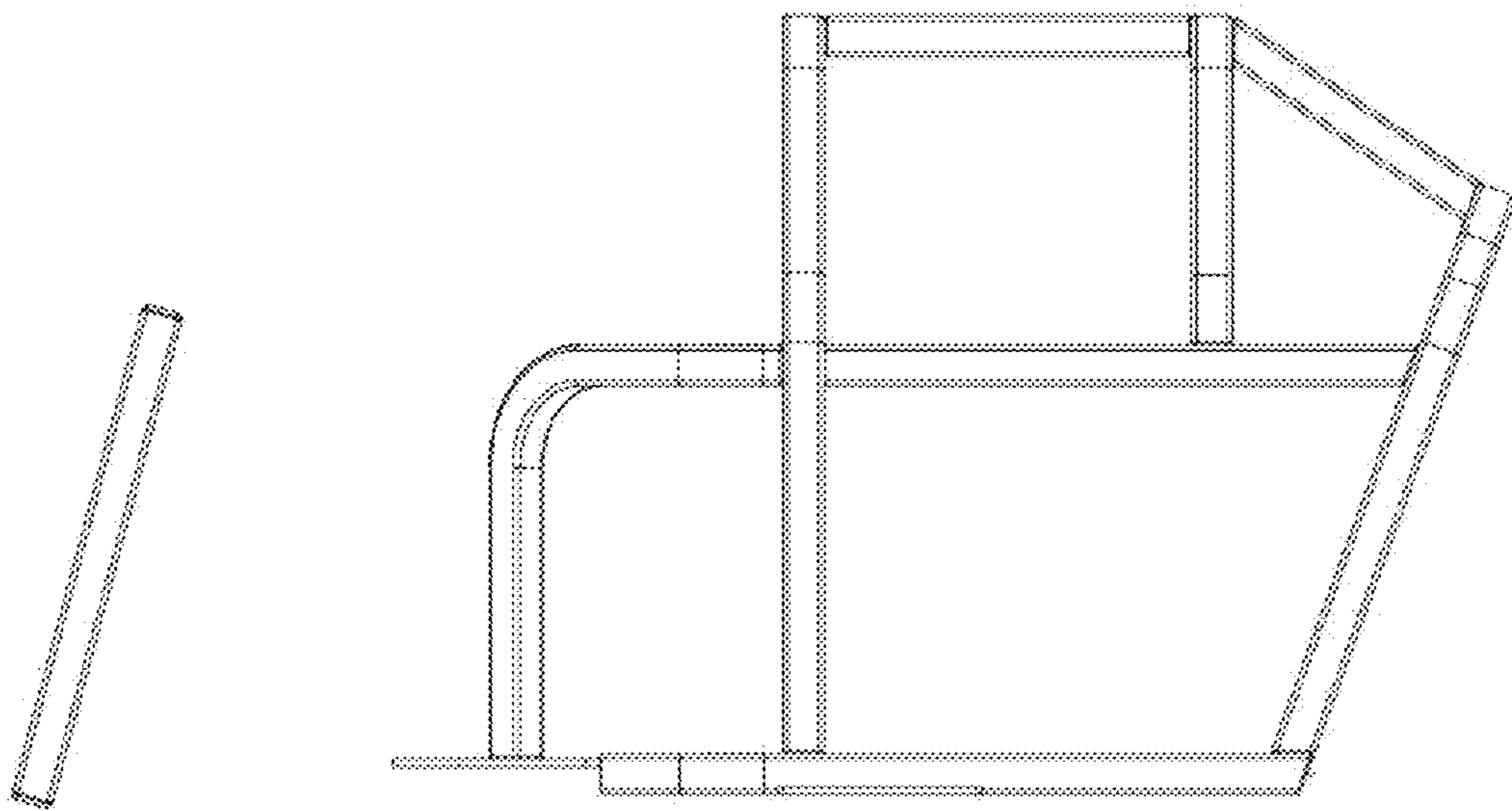


FIG. 4

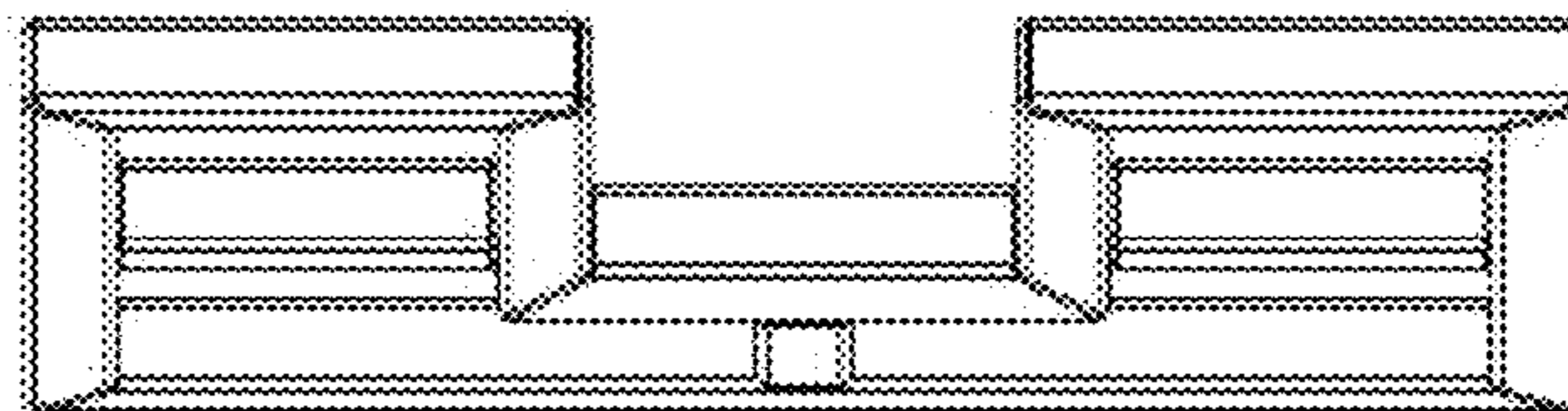
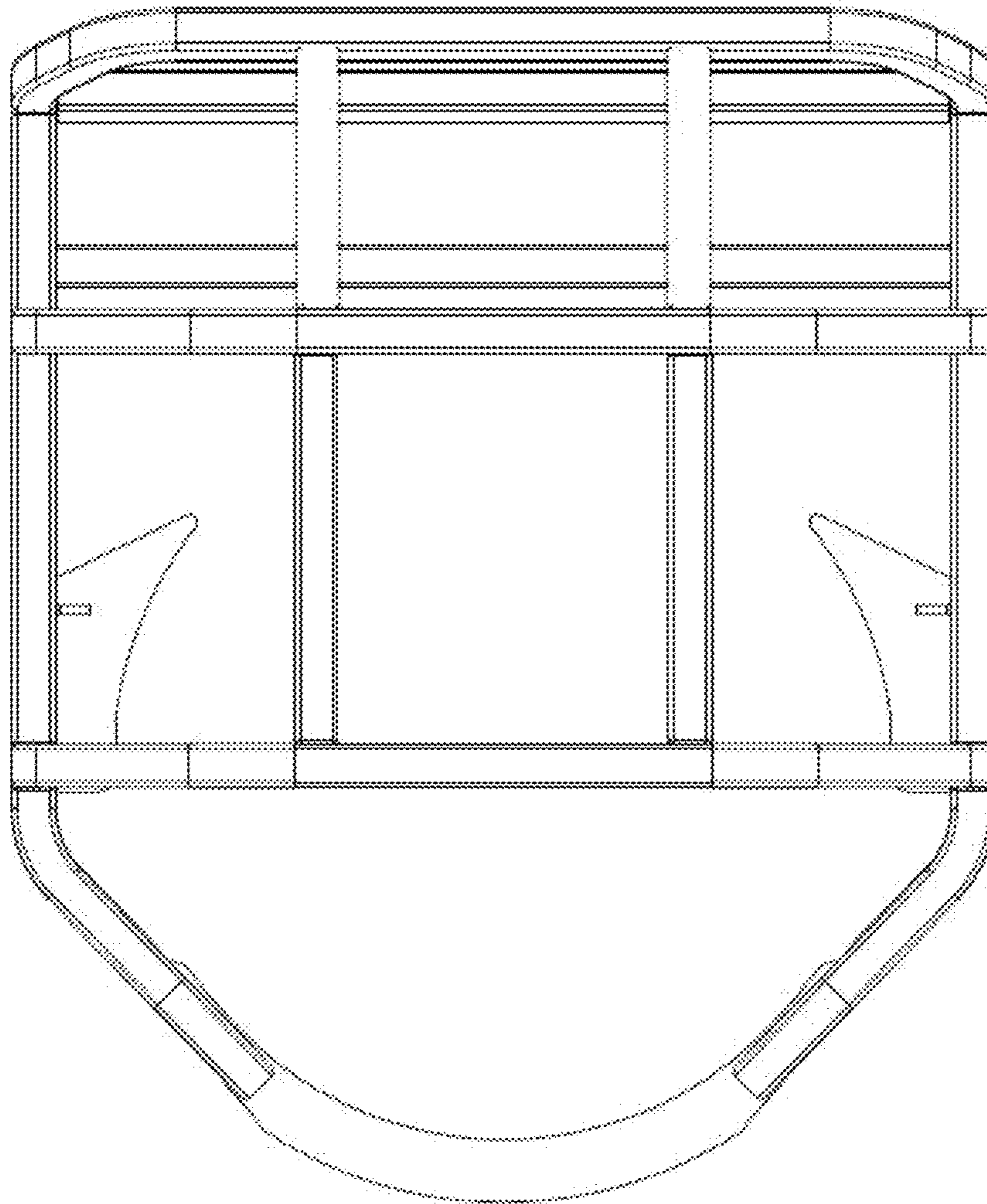


FIG. 5