



US00D751946S

(12) **United States Design Patent**
Soofer

(10) **Patent No.:** **US D751,946 S**
(45) **Date of Patent:** **** Mar. 22, 2016**

(54) **SOLAR FLOWER DECORATIVE GARDEN STAKE**

(71) Applicant: **Robby Soofer**, Commerce, CA (US)

(72) Inventor: **Robby Soofer**, Commerce, CA (US)

(**) Term: **14 Years**

(21) Appl. No.: **29/465,331**

(22) Filed: **Aug. 27, 2013**

(51) **LOC (10) Cl.** **11-02**

(52) **U.S. Cl.**
USPC **D11/157**

(58) **Field of Classification Search**
USPC D11/139, 157, 121, 125, 130, 117;
D26/67, 68, 101, 127; 362/153, 431
CPC F21V 21/0824; F21V 15/013; F21V
23/0442; F21Y 2111/00

See application file for complete search history.

(56) **References Cited**

U.S. PATENT DOCUMENTS

D245,585 S *	8/1977	Bru	D10/56
D289,021 S *	3/1987	Ditto	D11/139
D348,225 S *	6/1994	Stott	D10/52
D358,446 S *	5/1995	Cooper	D22/124
D368,233 S *	3/1996	Spickelmier	D11/117
D392,763 S *	3/1998	Denison et al.	D26/68
5,947,582 A *	9/1999	Huang	362/122
D440,000 S *	4/2001	Milicia	D26/68
D441,478 S *	5/2001	Lindsay	D26/68
D443,376 S *	6/2001	Lindsay	D26/68

D443,711 S *	6/2001	Lindsay	D26/68
D511,018 S *	10/2005	Sooferian	D26/67
D584,178 S *	1/2009	VerMeulen et al.	D10/81
D672,898 S *	12/2012	Glenn	D26/73
D688,621 S *	8/2013	Mozzardi et al.	D13/102

OTHER PUBLICATIONS

<http://www.newegg.com/Product/Product.aspx?Item=9SIA07Y0C92728> Found Feb. 6, 2015.*
<http://rainystreasures.com/solar-garden-stake.html> found Feb. 6, 2015.*

* cited by examiner

Primary Examiner — Eric Goodman
Assistant Examiner — Amy Wierenga
(74) *Attorney, Agent, or Firm* — Payam Moradian

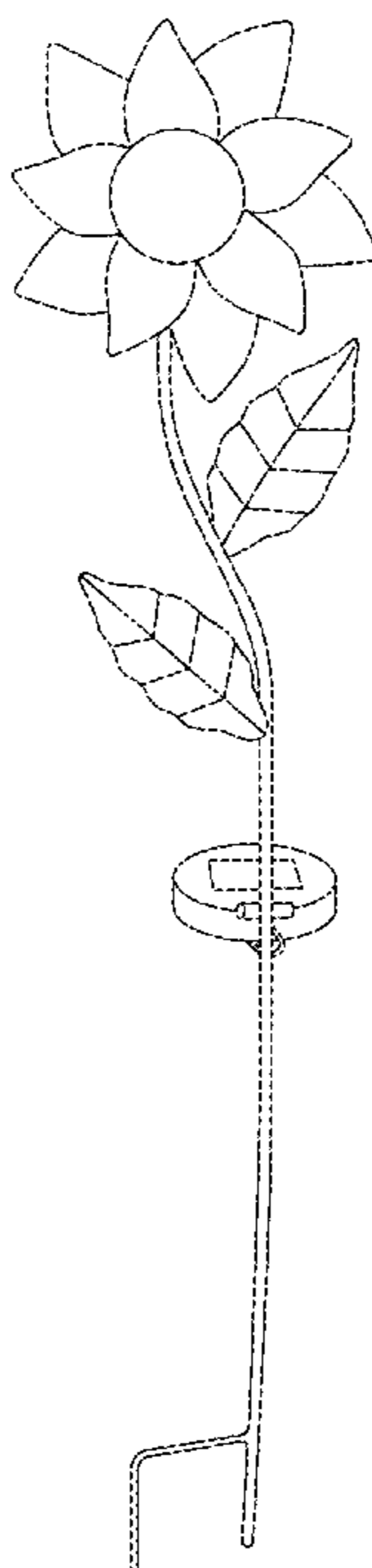
(57) **CLAIM**

The ornamental design for a solar flower decorative garden stake, as shown and described.

DESCRIPTION

FIG. 1 is a front perspective view of a solar flower decorative garden stake of my new design;
FIG. 2 is a rear perspective view of the solar flower decorative garden shown in FIG. 1 of the drawings;
FIG. 3 is a top perspective view of the solar flower decorative garden stake shown in FIG. 1 of the drawings;
FIG. 4 is a bottom perspective view of the solar flower decorative garden shown in FIG. 1 of the drawings;
FIG. 5 is a left side view of the solar flower decorative garden stake shown in FIG. 1 of the drawings; and,
FIG. 6 is a right side view of the solar flower decorative garden stake shown in FIG. 1 of the drawings.

1 Claim, 6 Drawing Sheets



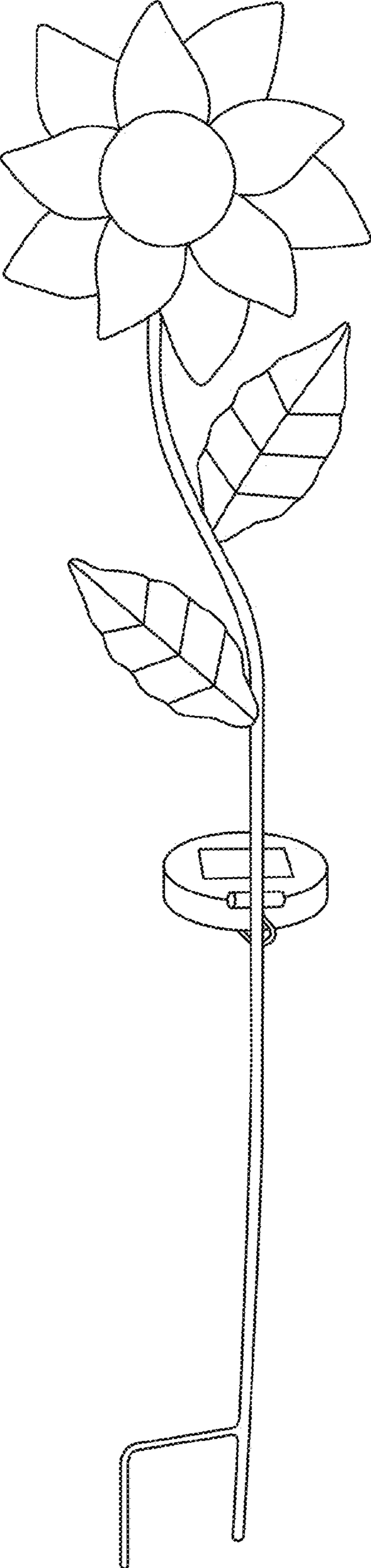


FIG. 1

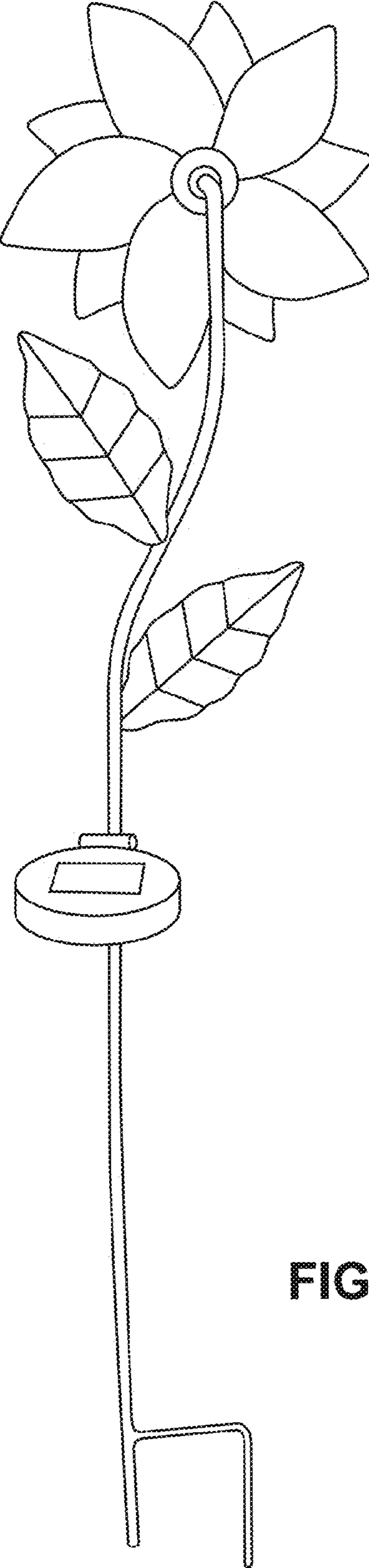


FIG. 2

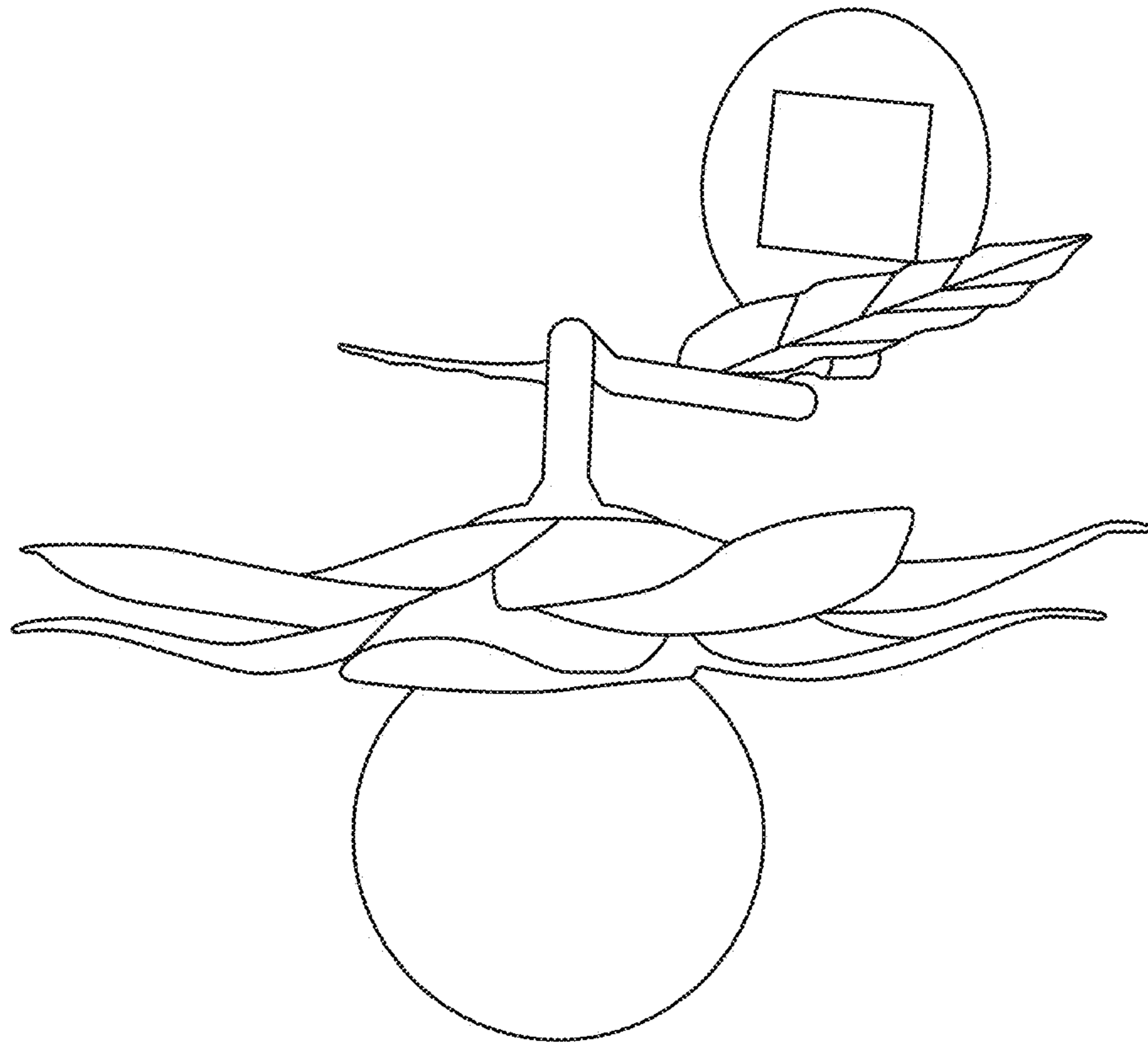


FIG. 3

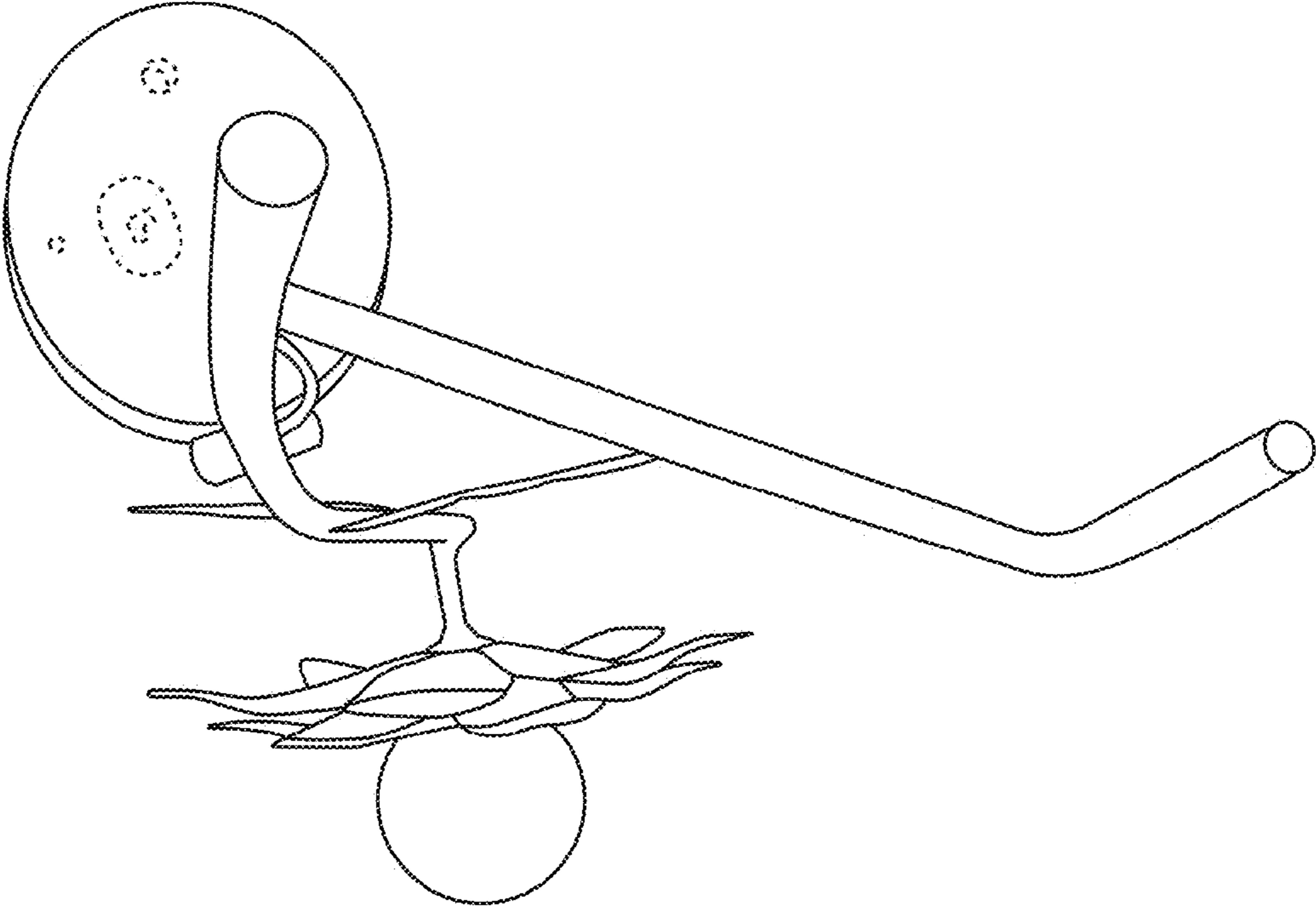


FIG. 4

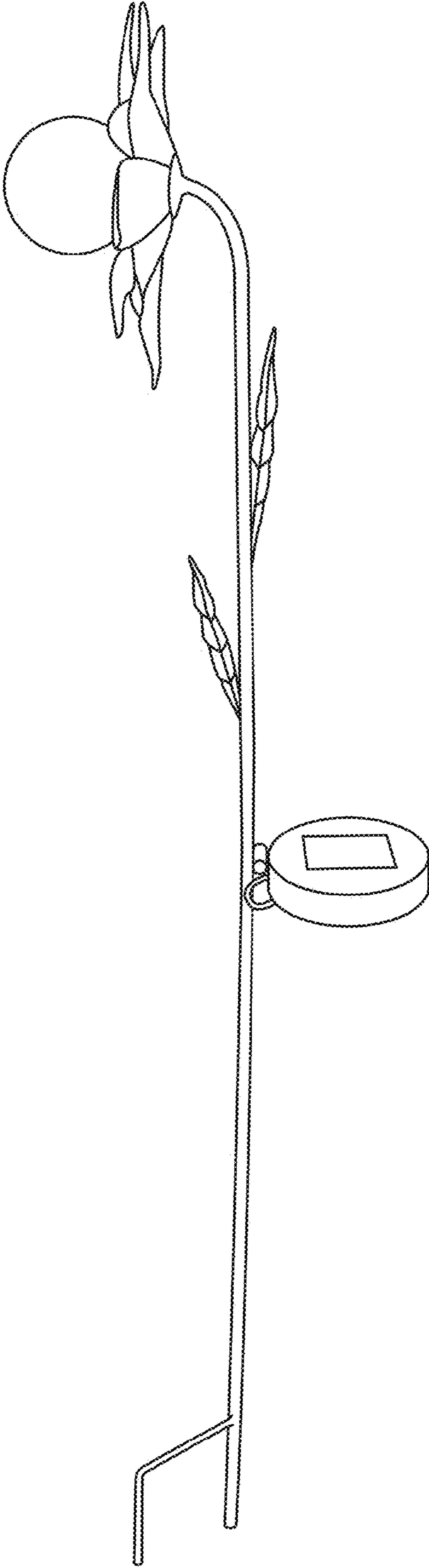


FIG. 5

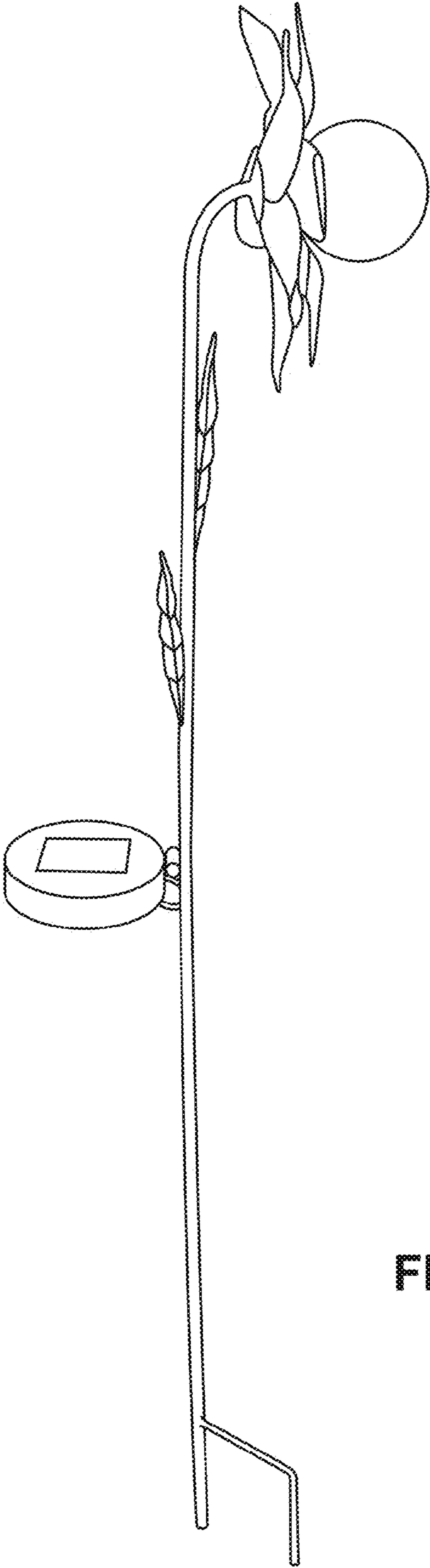


FIG. 6