



US00D751944S

(12) **United States Design Patent**
Riemer

(10) **Patent No.:** **US D751,944 S**
(45) **Date of Patent:** **** Mar. 22, 2016**

(54) **BRIGHT CUT DESIGN FOR A PRECIOUS STONE**

(71) Applicant: **Yair Riemer**, Tel Aviv (IL)

(72) Inventor: **Yair Riemer**, Tel Aviv (IL)

(**) Term: **14 Years**

(21) Appl. No.: **29/497,468**

(22) Filed: **Jul. 24, 2014**

(51) **LOC (10) Cl.** **11-01**

(52) **U.S. Cl.**
USPC **D11/90**

(58) **Field of Classification Search**
USPC D11/1-2, 26-29, 89-92; 63/26-28, 32
CPC A44C 17/00
See application file for complete search history.

(56) **References Cited**

U.S. PATENT DOCUMENTS

D431,492 S	*	10/2000	Wagemans	D11/90
D457,090 S	*	5/2002	Stern	D11/90
D491,093 S	*	6/2004	Mehta	D11/90
D546,234 S	*	7/2007	Botha	D11/90

D556,624 S	*	12/2007	Botha	D11/90
D564,392 S	*	3/2008	Botha	D11/90
D595,609 S	*	7/2009	Mehta	D11/90
D643,326 S	*	8/2011	Parikh	D11/90
D726,067 S	*	4/2015	Patel	D11/90

* cited by examiner

Primary Examiner — Ralf Seifert

(74) *Attorney, Agent, or Firm* — Henry M. Sinai;
IP-Partnership

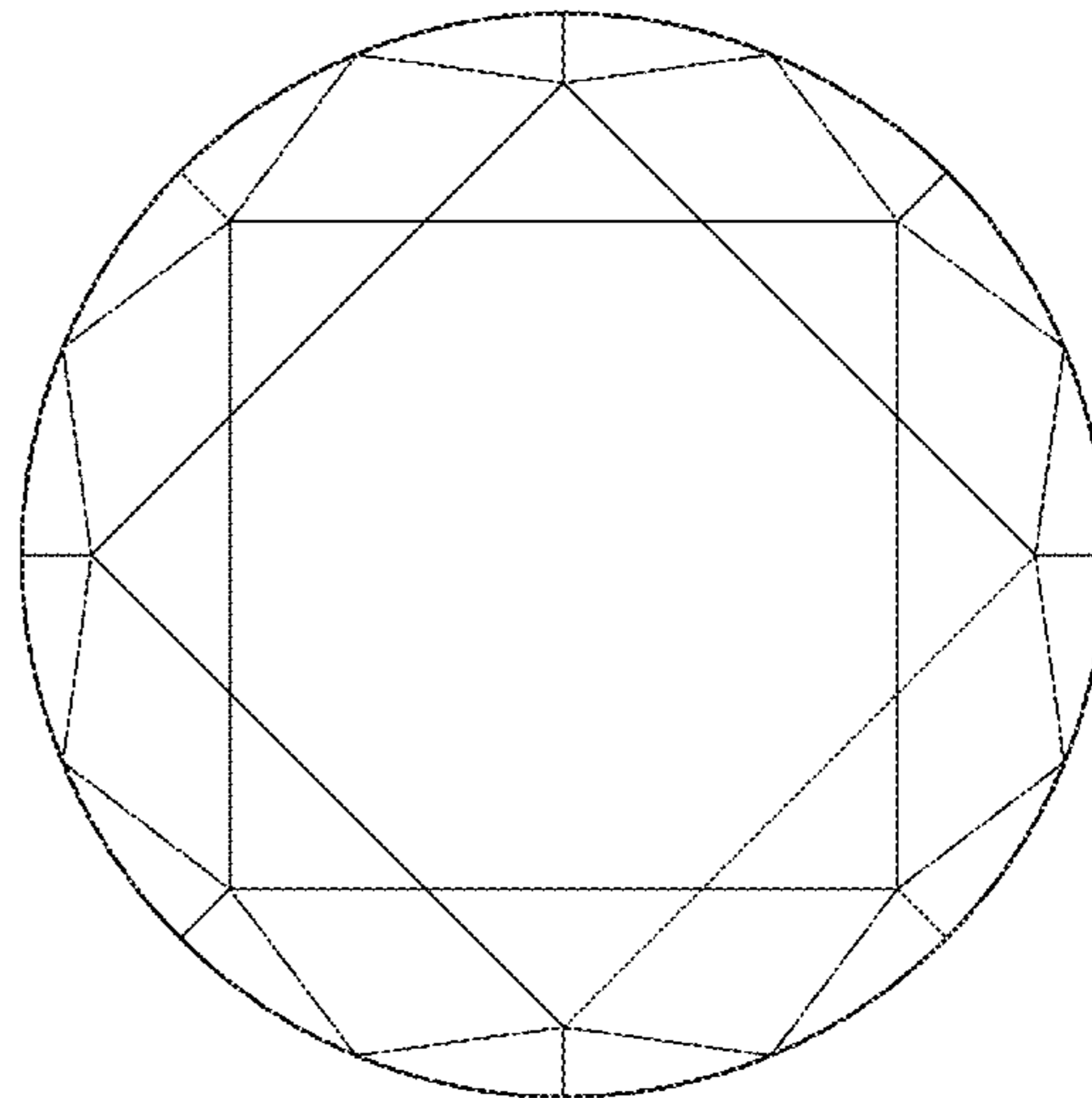
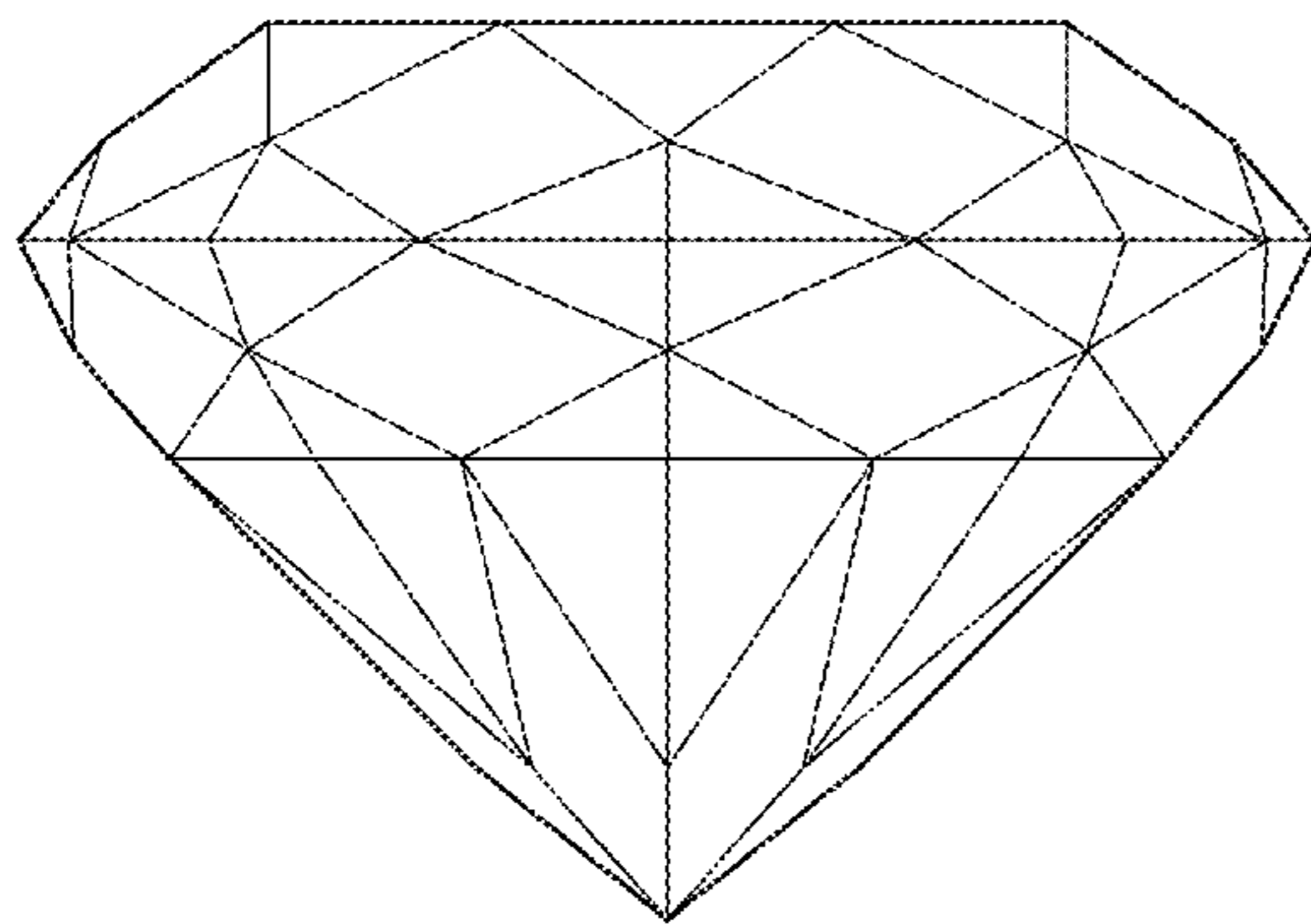
(57) **CLAIM**

The ornamental a bright cut design for a precious stone, as shown and described.

DESCRIPTION

FIG. 1 is a front elevational view of a precious stone showing my new bright cut design;
FIG. 2 is a top plan view thereof;
FIG. 3 is a bottom plan view thereof;
FIG. 4 is a right side elevational view thereof;
FIG. 5 is a left side elevational view thereof; and,
FIG. 6 is a rear elevational view thereof.

1 Claim, 3 Drawing Sheets



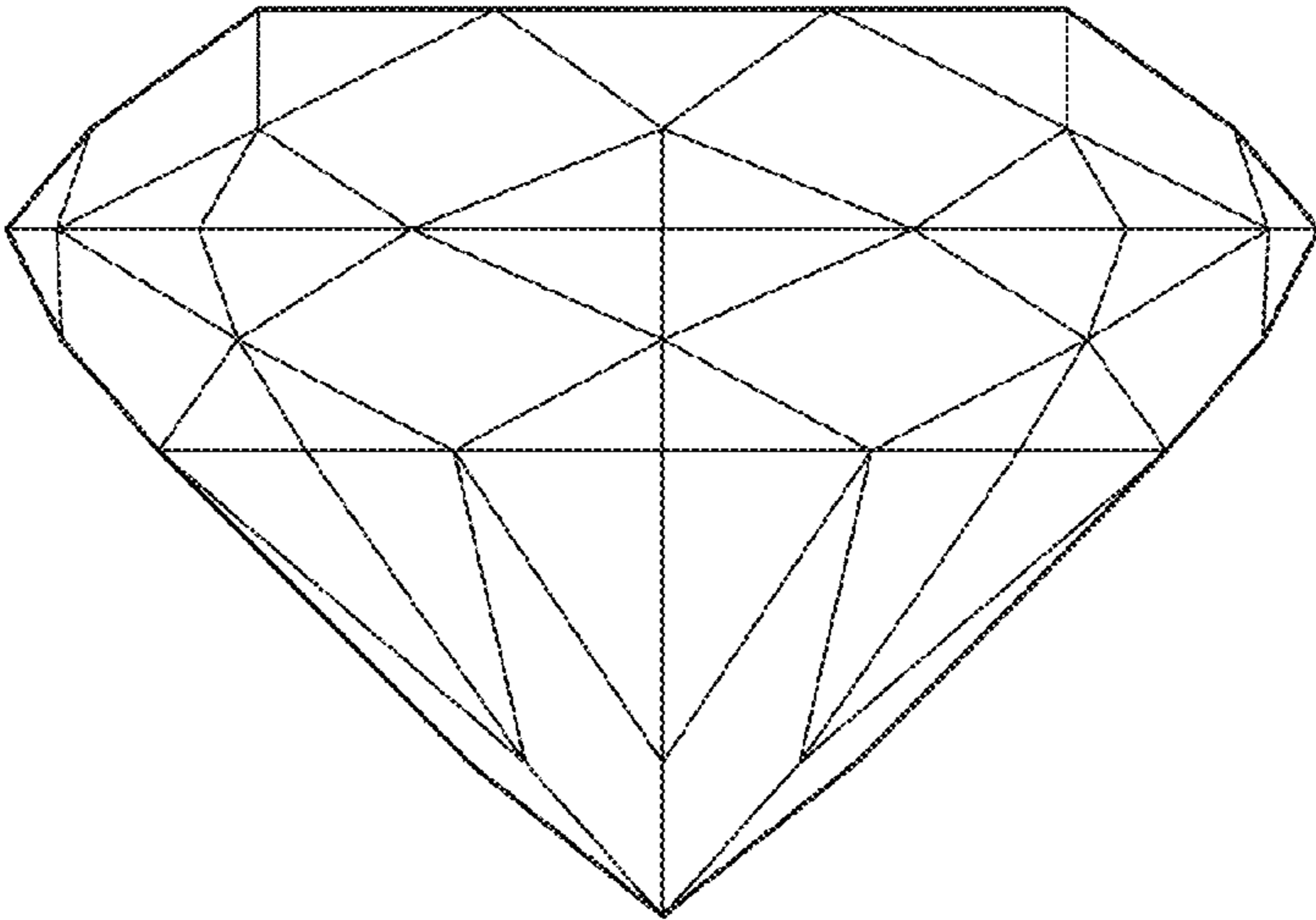


FIG.1

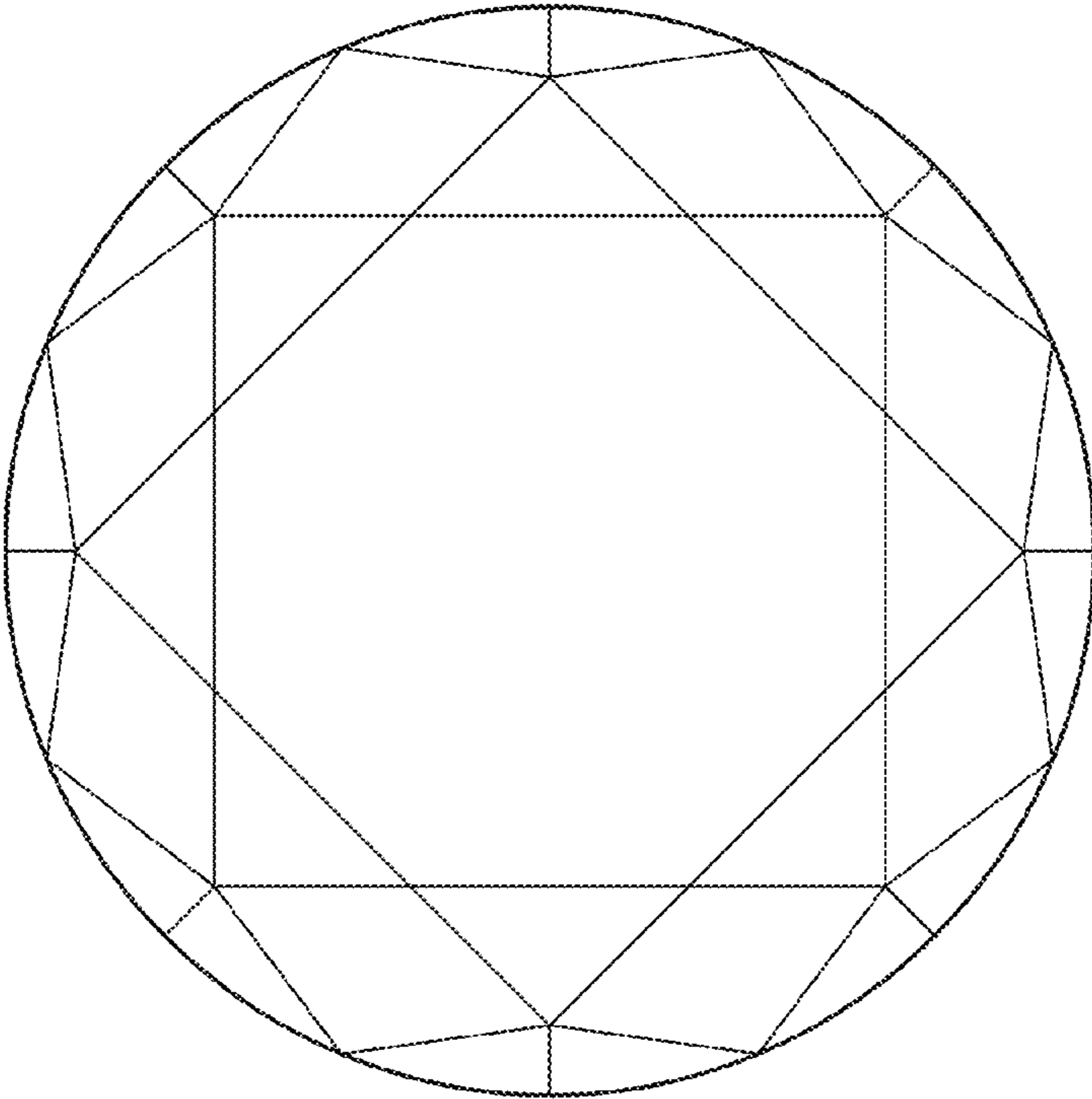


FIG.2

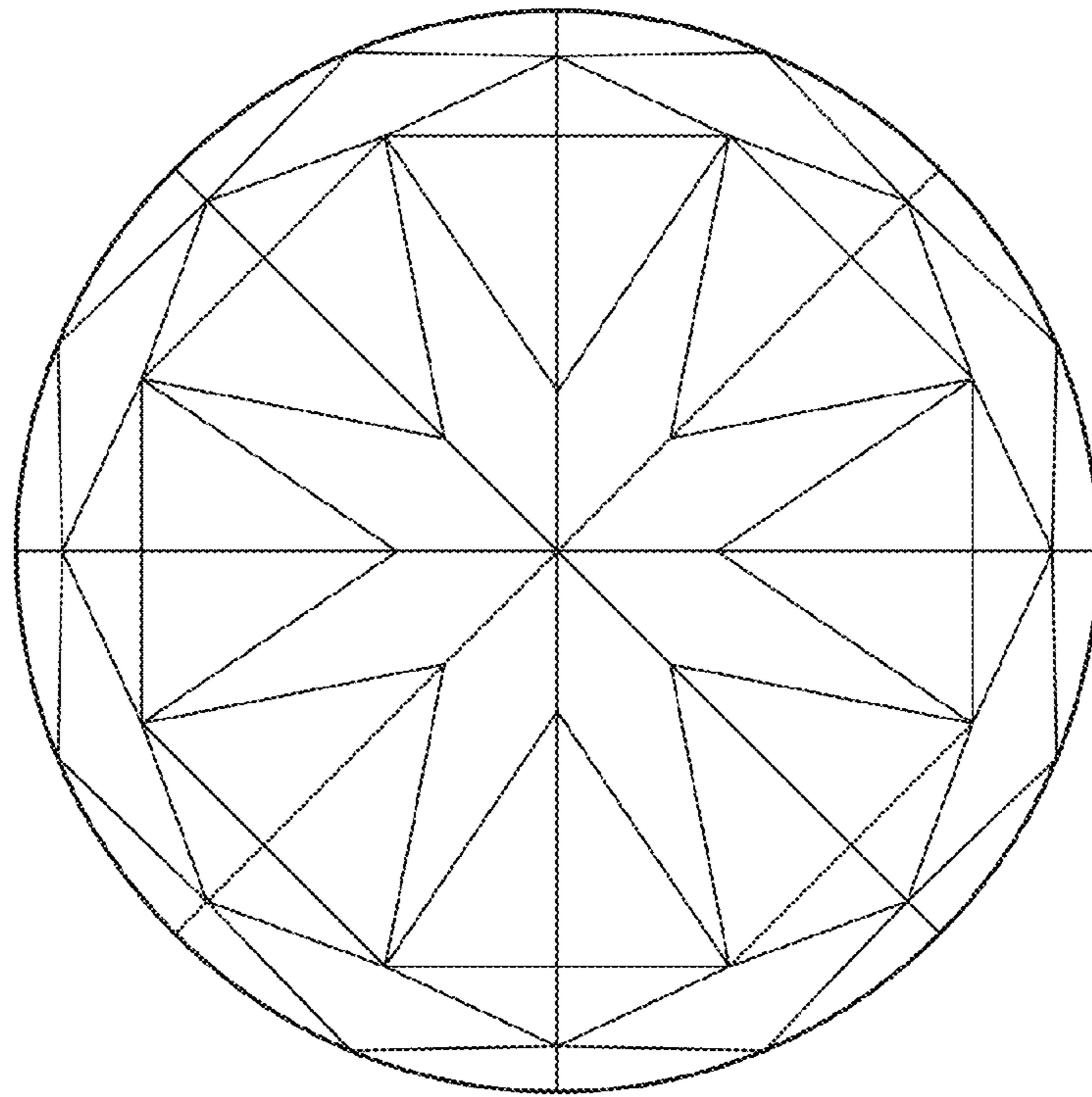


FIG. 3

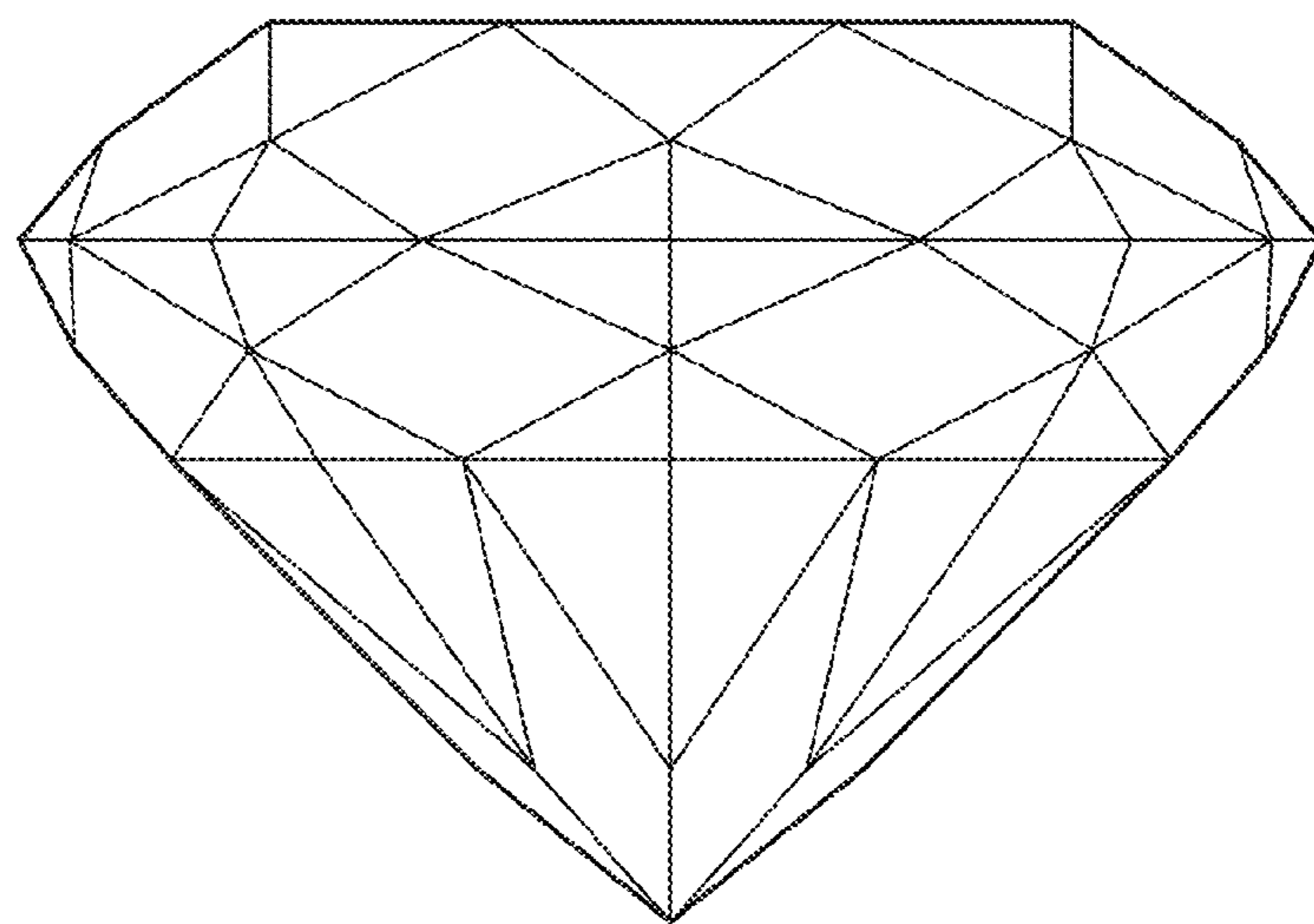


FIG. 4

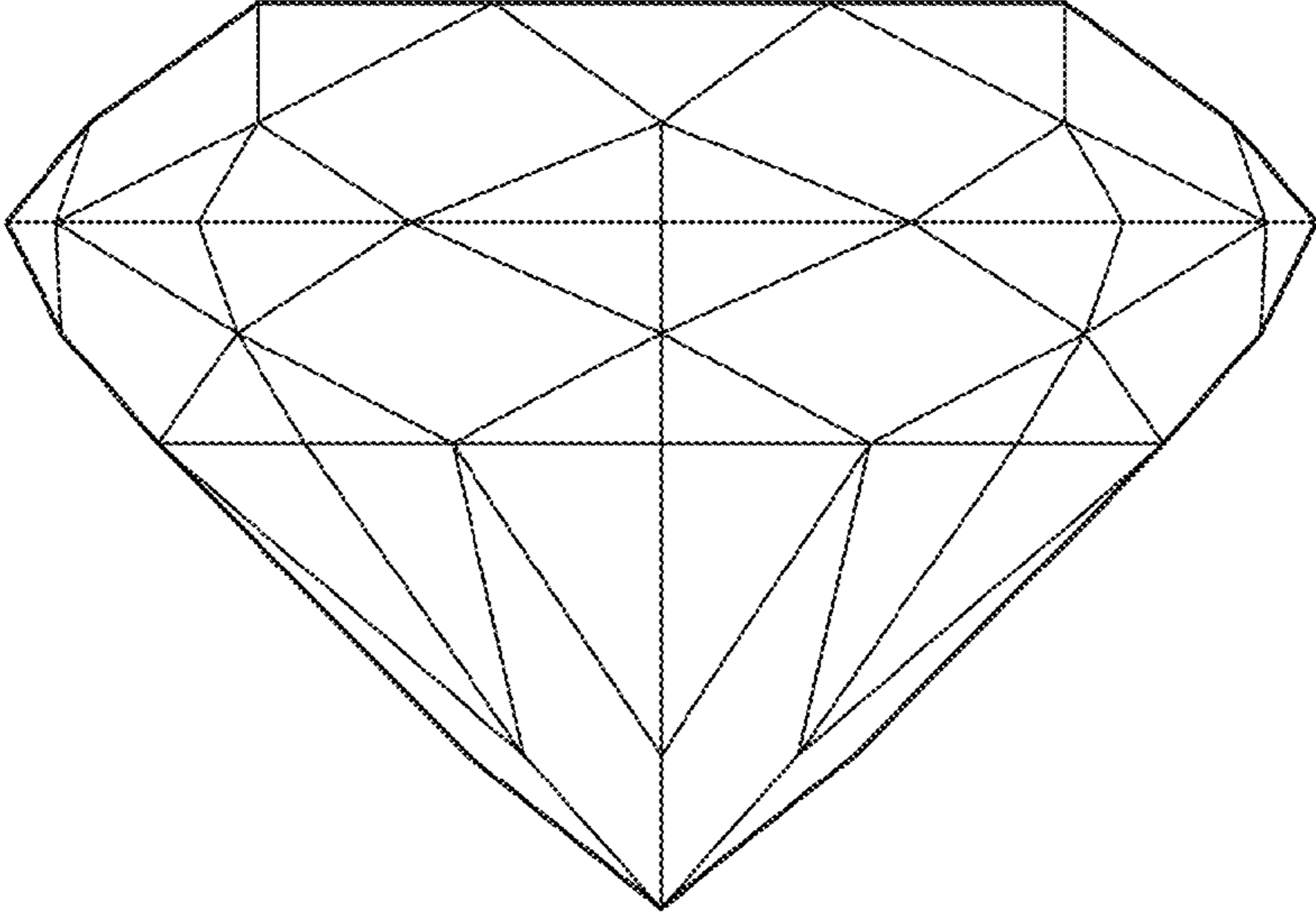


FIG. 5

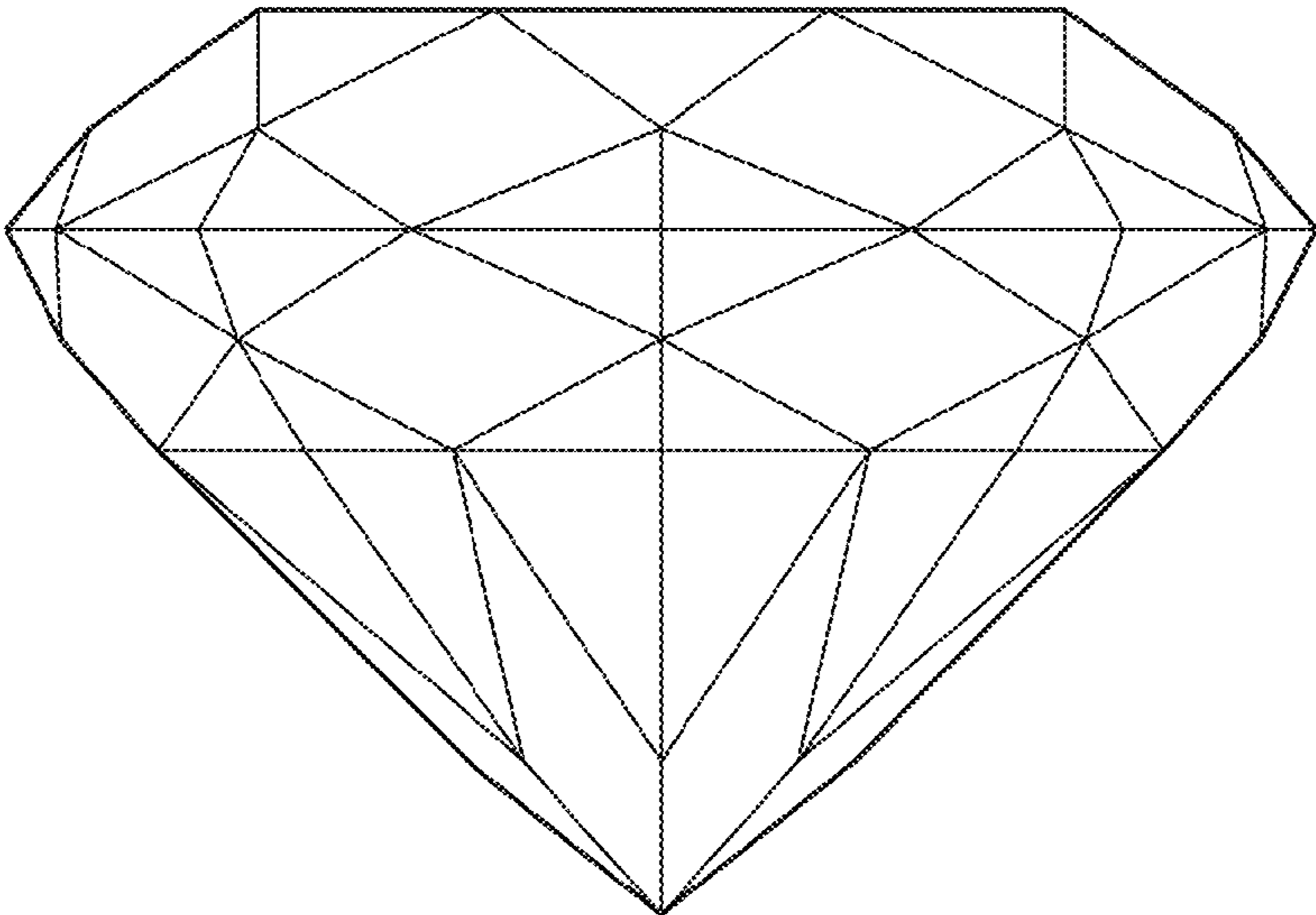


FIG. 6