



US00D751943S

(12) **United States Design Patent**
Vaughan et al.

(10) **Patent No.:** **US D751,943 S**
(45) **Date of Patent:** **** Mar. 22, 2016**

(54) **PENDANT SET**

(71) Applicant: **Athletes for Christ, LP**, Beaumont, TX
(US)

(72) Inventors: **John Kennedy Vaughan**, Beaumont, TX
(US); **Tammie Vaughan**, Beaumont, TX
(US)

(73) Assignee: **ATHLETES FOR CHRIST, LP**,
Beaumont, TX (US)

(**) Term: **14 Years**

(21) Appl. No.: **29/518,165**

(22) Filed: **Feb. 20, 2015**

(51) **LOC (10) Cl.** **11-01**

(52) **U.S. Cl.**
USPC **D11/81**

(58) **Field of Classification Search**
USPC D11/1, 2, 7, 8, 40-48, 79-86, 90, 91,
D11/92, 93, 54, 56, 95, 97, 98, 99;
D21/680-685

CPC A44C 1/00; A44C 3/00; A44C 3/004;
A44C 3/005; A44C 3/007; A44C 3/008;
A44C 5/02; A44C 7/002; A44C 25/00;
A44C 25/001; A44C 25/002; A44C 25/004;
A44C 25/005; A44C 25/007

See application file for complete search history.

(56) **References Cited**

U.S. PATENT DOCUMENTS

D160,301 S * 10/1950 Chernow D11/81
D179,890 S * 3/1957 Fifield D11/81
D301,211 S * 5/1989 Kian D11/103
6,145,341 A * 11/2000 Leong A44C 3/007
63/1.11
D505,636 S * 5/2005 Bisceglie D11/79

D575,010 S * 8/2008 Eisenberg D11/104
D636,698 S * 4/2011 Reiter D11/79
8,061,068 B1 * 11/2011 Donovan A41C 3/04
40/586

OTHER PUBLICATIONS

[Online] https://img0.etsystatic.com/070/1/9947302/il_214x170.820744354_cktff.jpg. Retrieved Jan. 4, 2016.*

[Online] <https://s-media-cache-ak0.pinimg.com/736x/10/2e/e8/102ee8ae54f5d58cd8507d37e4df5c91.jpg>. Retrieved Jan. 4, 2016.*

[Online] http://cdn.shopify.com/s/files/1/0961/5892/products/IMG_8135_1024x1024.JPG?v=14477735563. Retrieved Jan. 4, 2016.*

[Online] http://cdn1.bigcommerce.com/n-63unu/d05toasu/products/685/images/1022/Weight_Plates_Split_2_pieces_fit_98012.1422992479.1280.1280.jpg?c=2. Retrieved Jan. 4, 2016.*

* cited by examiner

Primary Examiner — Garth Rademaker

Assistant Examiner — Melanie Pellegrini

(74) *Attorney, Agent, or Firm* — Egbert Law Offices, PLLC

(57) **CLAIM**

The ornamental design for a pendant set, as shown and described.

DESCRIPTION

FIG. 1 is a perspective view of a pendant set showing our new design.

FIG. 2 is a front view thereof;

FIG. 3 is a rear view thereof;

FIG. 4 is a side view thereof;

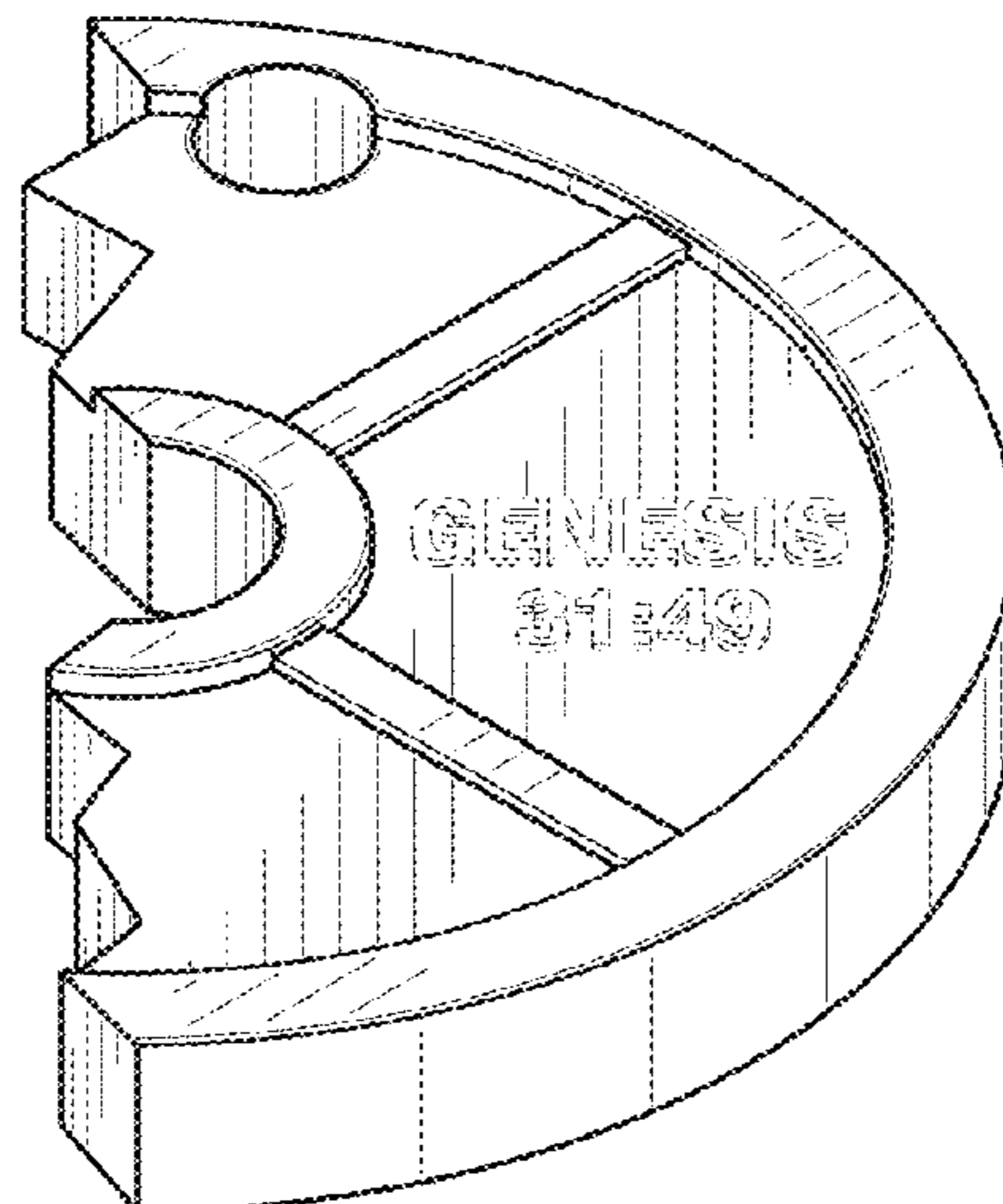
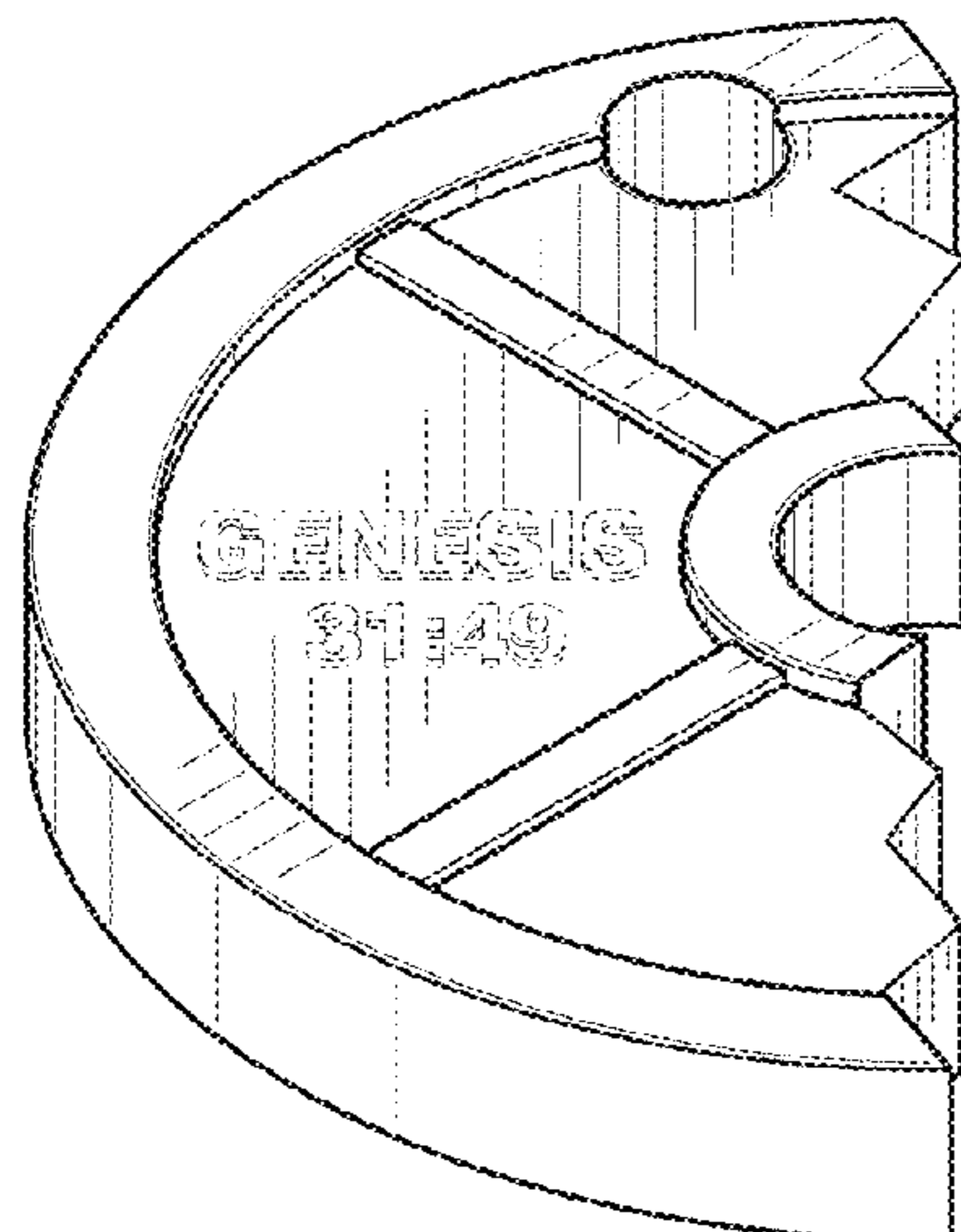
FIG. 5 is an opposite view thereof;

FIG. 6 is a top view thereof; and,

FIG. 7 is a bottom view thereof.

The broken lines in the drawings represent unclaimed portions of the pendant set and form no part of the claimed design.

1 Claim, 3 Drawing Sheets



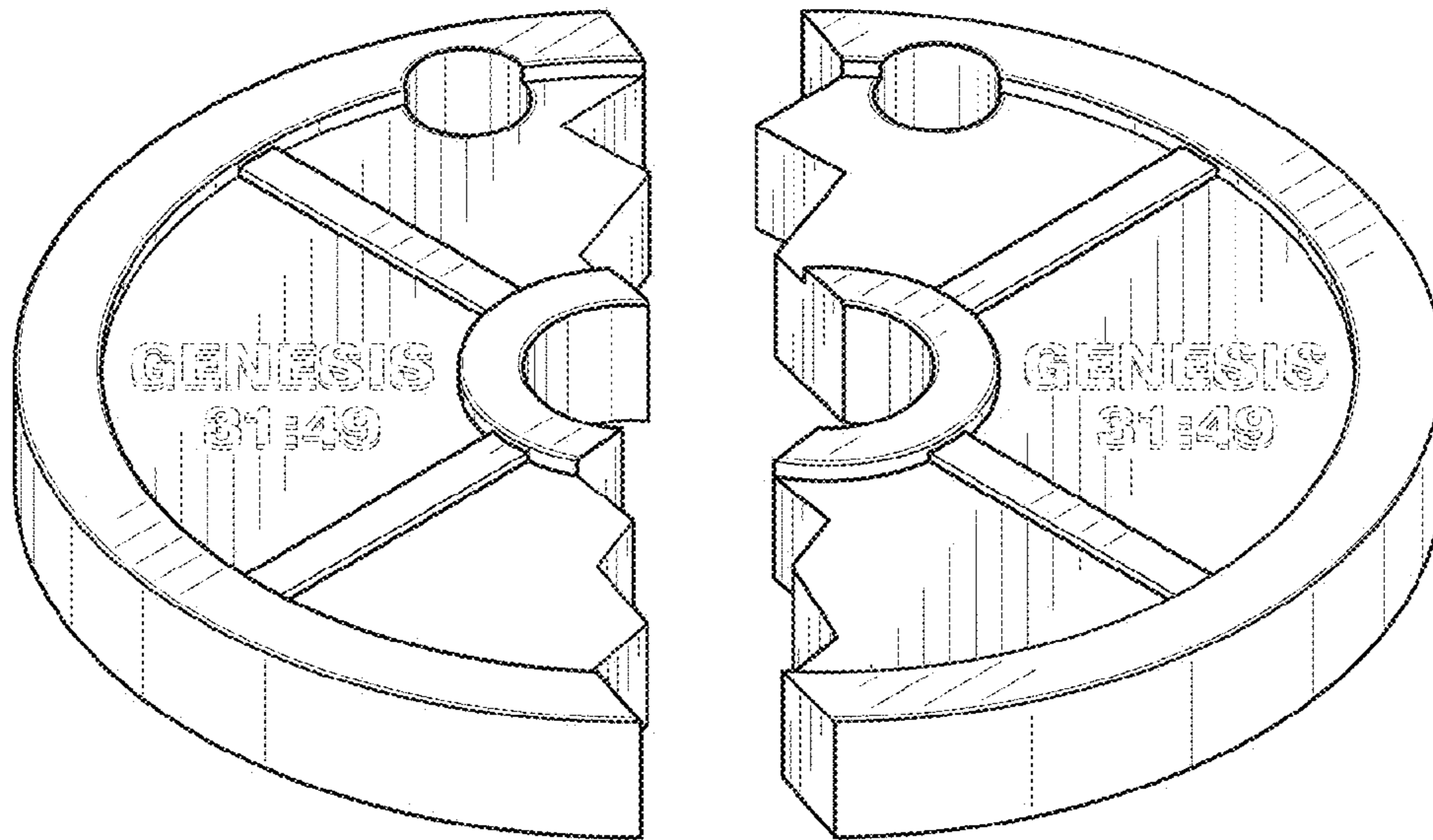


FIG. 1

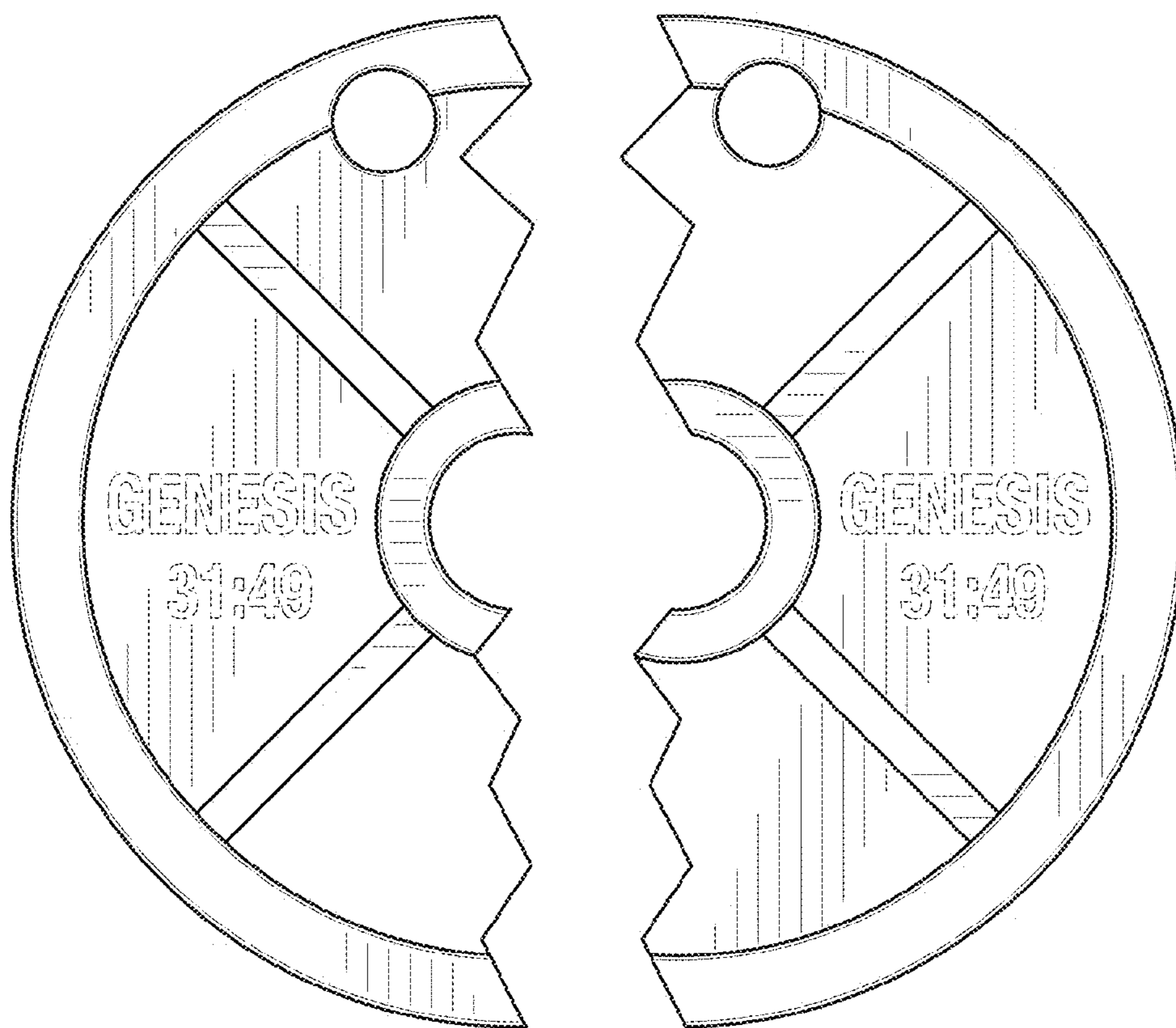


FIG. 2

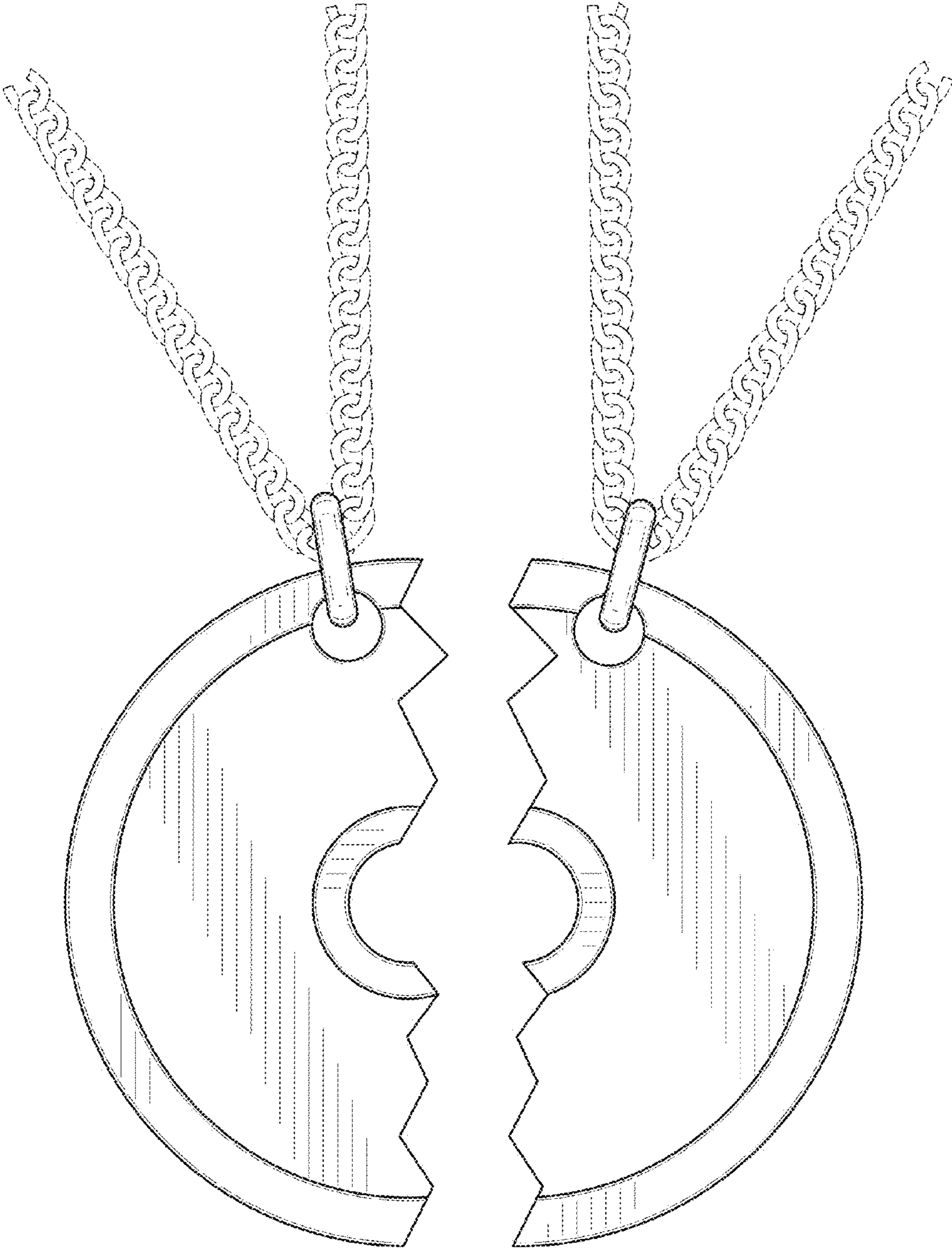


FIG. 3

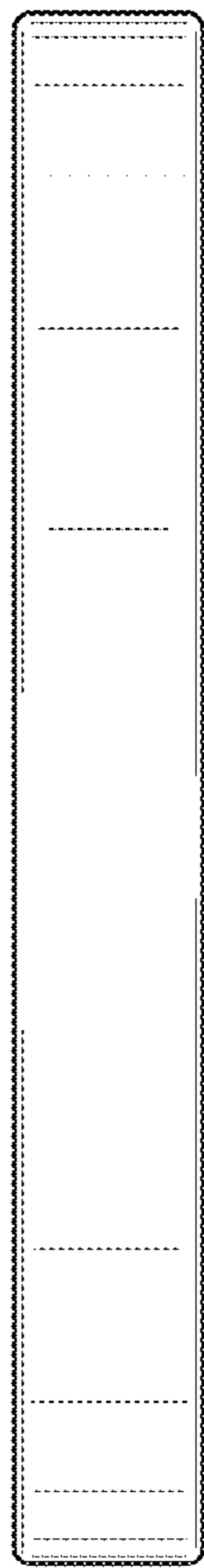


FIG. 4



FIG. 5

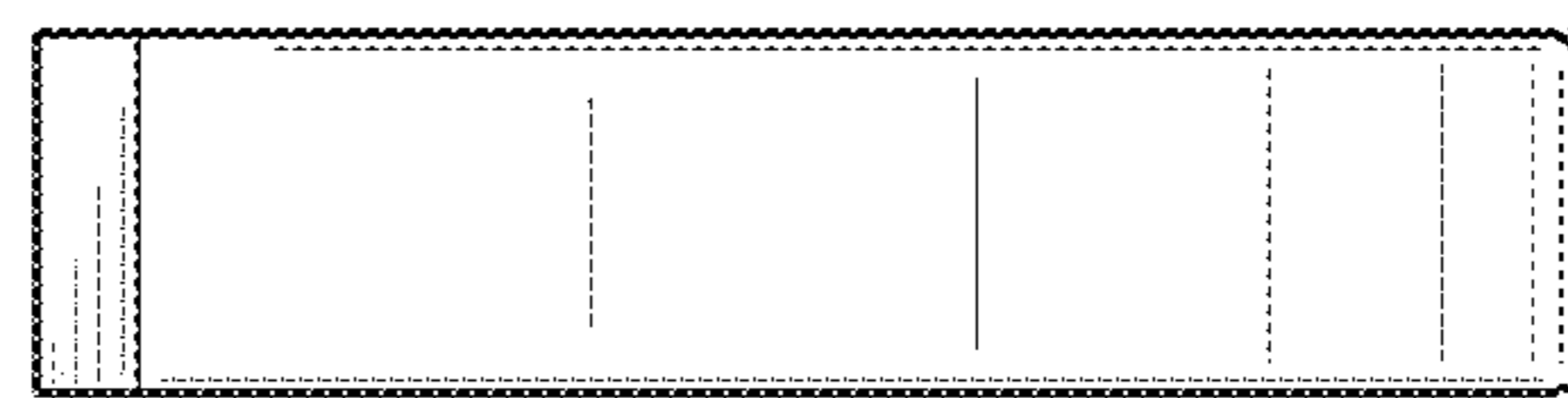
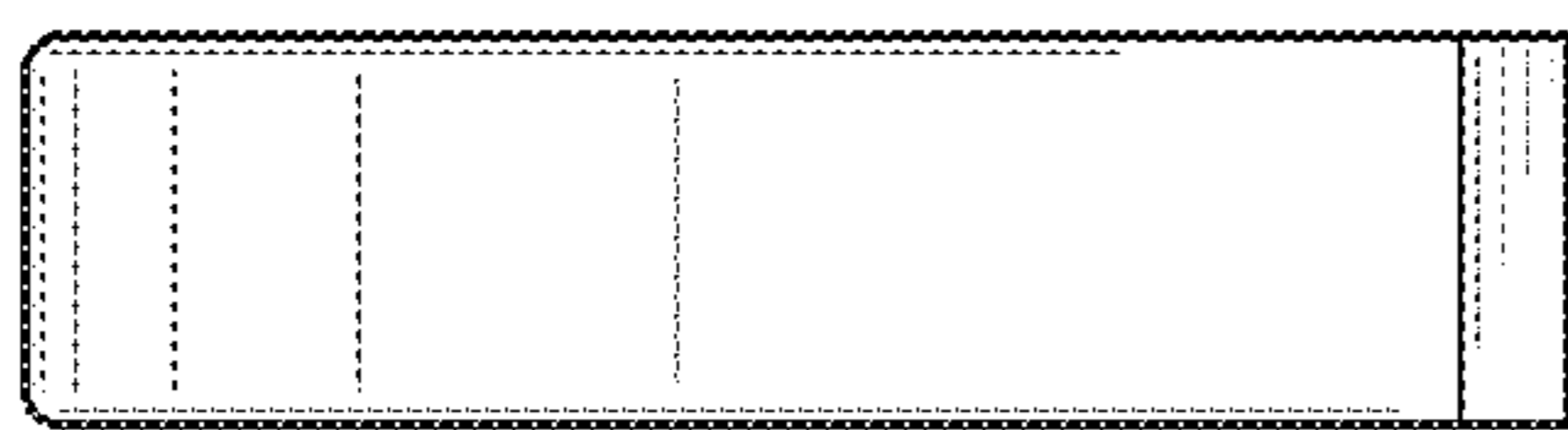


FIG. 6

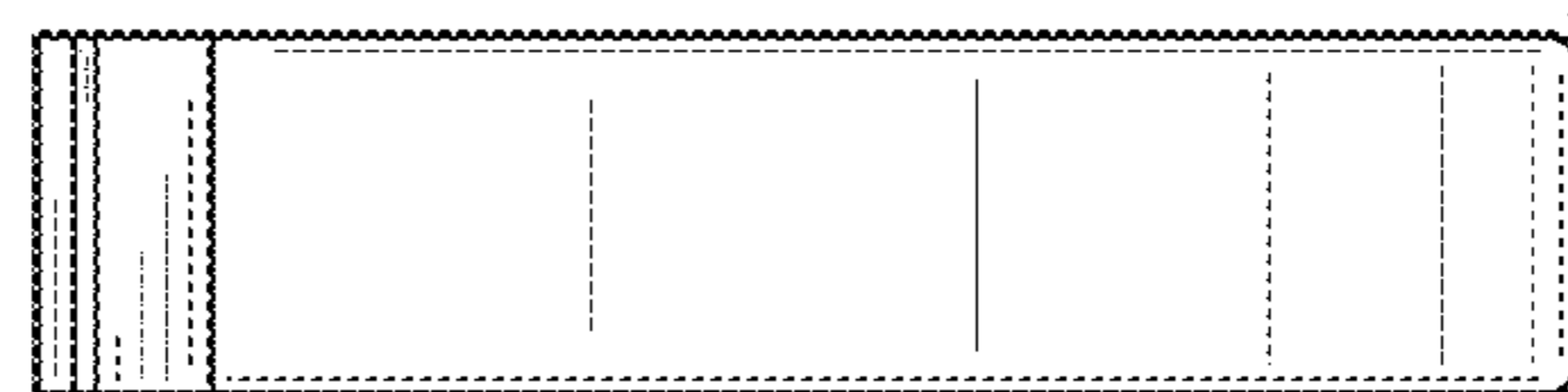
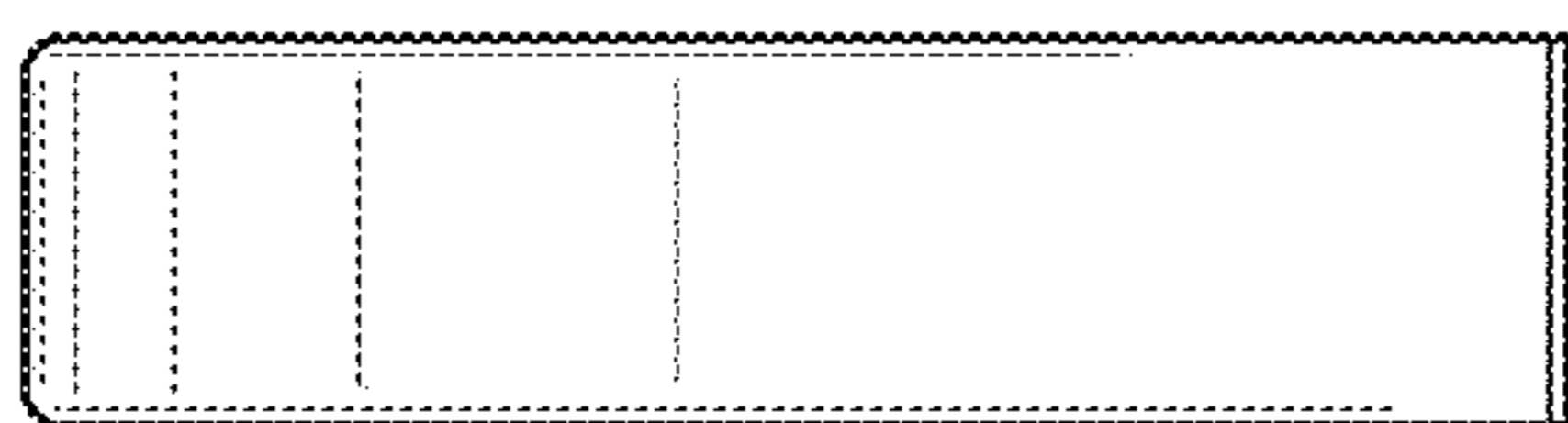


FIG. 7