



US00D751941S

(12) **United States Design Patent**
Vaughan et al.

(10) **Patent No.:** **US D751,941 S**
(45) **Date of Patent:** **** *Mar. 22, 2016**

(54) **PENDANT**

(71) Applicant: **Athletes for Christ, LP**, Beaumont, TX
(US)

(72) Inventors: **John Kennedy Vaughan**, Beaumont, TX
(US); **Tammie Vaughan**, Beaumont, TX
(US)

(73) Assignee: **ATHLETES FOR CHRIST, LP**,
Beaumont, TX (US)

(*) Notice: This patent is subject to a terminal disclaimer.

(**) Term: **14 Years**

(21) Appl. No.: **29/501,327**

(22) Filed: **Sep. 3, 2014**

(51) **LOC (10) Cl.** **11-01**

(52) **U.S. Cl.**
USPC **D11/81**

(58) **Field of Classification Search**
USPC D11/79-86, 1, 2, 7, 9, 11, 13, 15;
63/40, 12, 13, 18, 20; D21/661, 638,
D21/682, 681; 482/108, 93, 910, 107, 106;
D9/668; D3/207-211
CPC A44C 25/00; A44C 25/001; A44C 25/007;
A44C 25/008; A63B 21/072; A63B 21/0722;
A63B 21/0724; A63B 21/0726; A63B
21/0728; A63B 21/0725; A63B 21/075;
A63B 21/06; A63B 21/0607; A63B 21/0601;
A45C 13/185; A45C 13/20

See application file for complete search history.

(56) **References Cited**

U.S. PATENT DOCUMENTS

6,099,443 A * 8/2000 Landfair A63B 21/072
482/107
6,132,344 A * 10/2000 Vanderbleek A63B 21/072
482/108
D474,522 S * 5/2003 Monroe D21/678
7,001,310 B1 * 2/2006 Brice A63B 21/075
482/106

D597,612 S * 8/2009 Lien D21/681
D624,614 S * 9/2010 Lien D21/681
D650,289 S * 12/2011 Bosiljevac D21/681
D708,480 S * 7/2014 Kramer D7/510
D710,241 S * 8/2014 Vaughan D11/81
D732,613 S * 6/2015 Davies, III D21/680
2002/0128127 A1 * 9/2002 Chen A63B 21/0726
482/106
2006/0135327 A1 * 6/2006 Pearson A63B 21/065
482/105
2009/0197745 A1 * 8/2009 Olson A63B 21/075
482/107
2009/0275447 A1 * 11/2009 Fishman A63B 21/072
482/139
2014/0005013 A1 * 1/2014 Kassemi A63B 21/0726
482/108

OTHER PUBLICATIONS

[Online] <http://wallyd.info/wp-content/uploads/2015/04/mens-jumbo-dumbbell-necklace.jpg>. Retrieved Oct. 16, 2015.*
[Online] [http://i.ebayimg.com/00/s/NTAwWDUwMA==/z/d2QAAOSw9N1VjytN/\\$_35.JPG](http://i.ebayimg.com/00/s/NTAwWDUwMA==/z/d2QAAOSw9N1VjytN/$_35.JPG). Retrieved Nov. 12, 2015. Posted online at least as early as Jun. 28, 2015.*
[Online] <https://secure.img2.wfrcdn.com/lf/187/hash/6024/2341817/1/VTX-by-Troy-Barbell-30-lbs-Rubber-Encased-Octagonal-Dumbbells-SD-030R.jpg>. Retrieved Oct. 16, 2015.*

* cited by examiner

Primary Examiner — Garth Rademaker

Assistant Examiner — Melanie Pellegrini

(74) *Attorney, Agent, or Firm* — Egbert Law Offices, PLLC

(57) **CLAIM**

The ornamental design for a pendant, as shown and described.

DESCRIPTION

FIG. 1 is a perspective view of a pendant showing our new design.

FIG. 2 is a top view thereof;

FIG. 3 is a bottom view thereof;

FIG. 4 is a side view thereof;

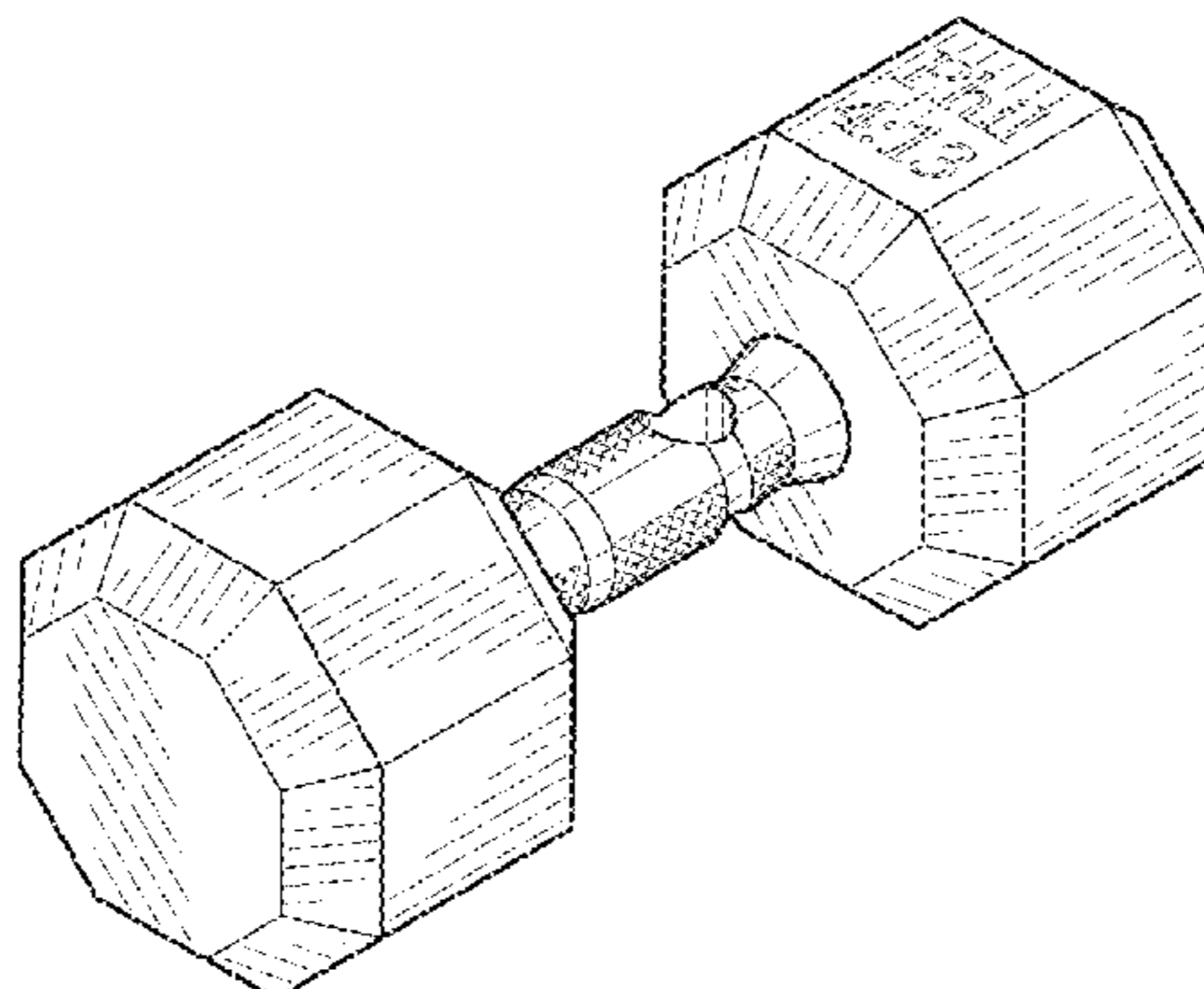
FIG. 5 is an opposite view thereof.

FIG. 6 is a front thereof; and,

FIG. 7 is a rear view thereof.

The broken lines in the drawings represent unclaimed portions of the pendant and form no part of the claimed design.

1 Claim, 2 Drawing Sheets



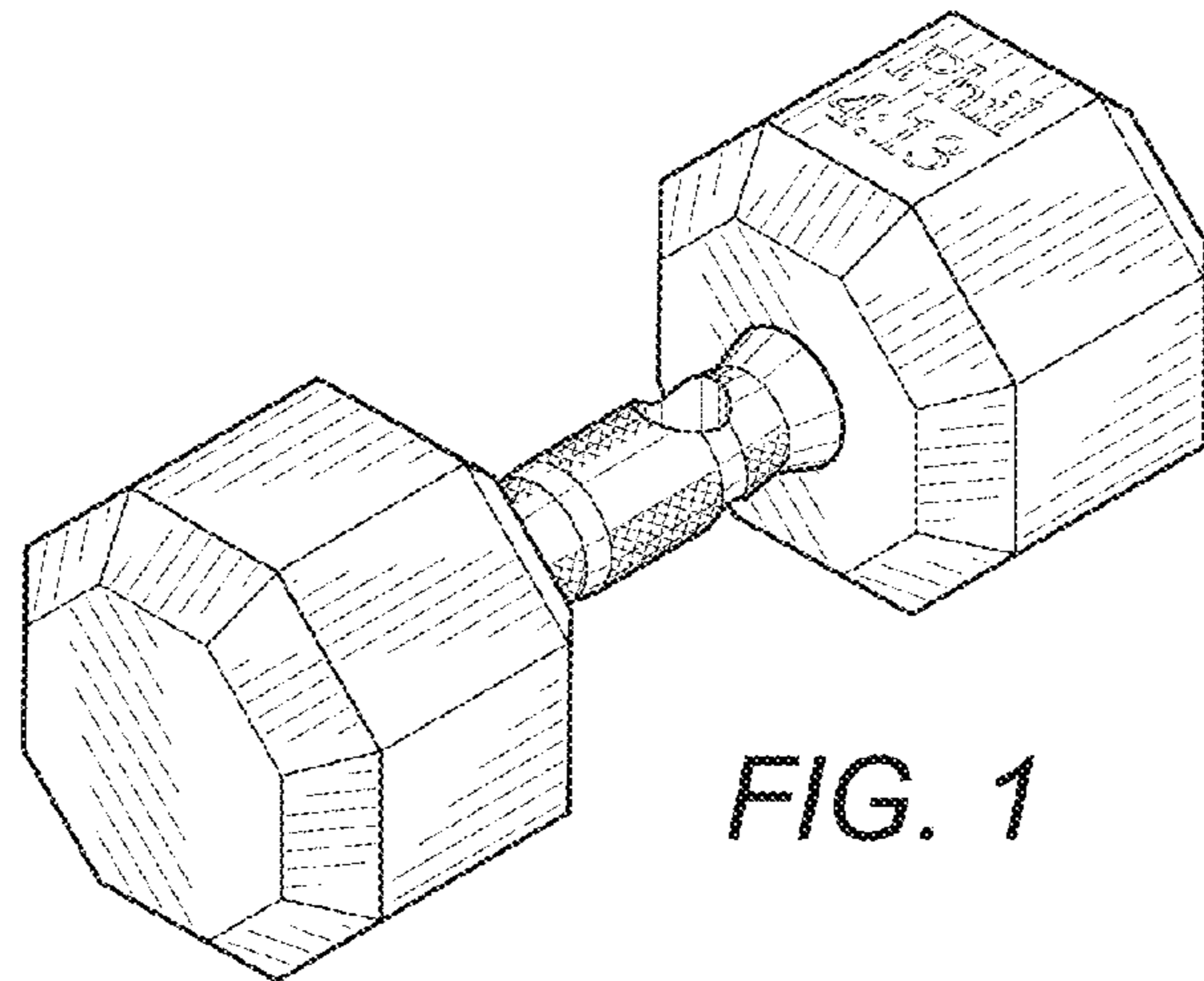


FIG. 1

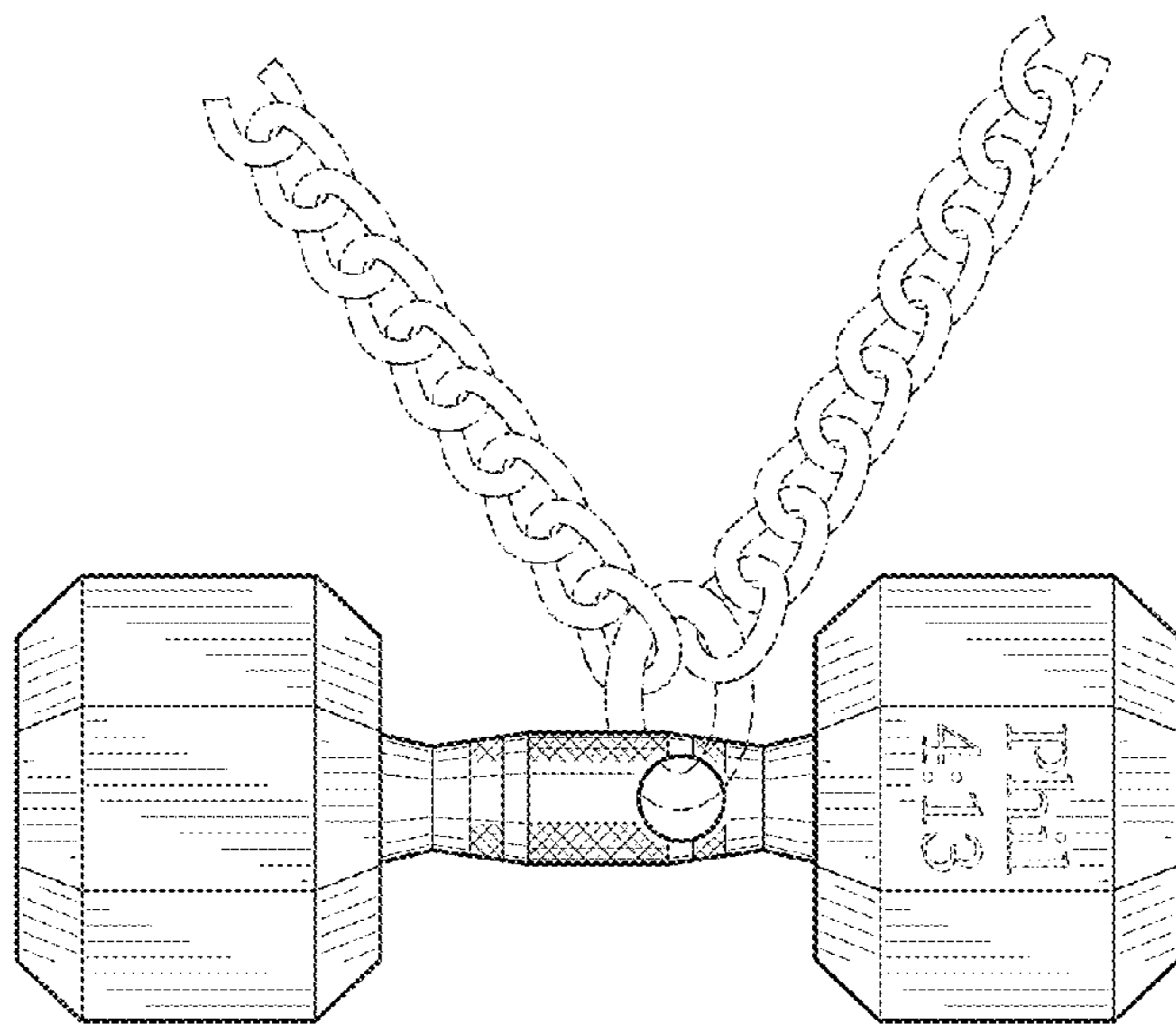


FIG. 2

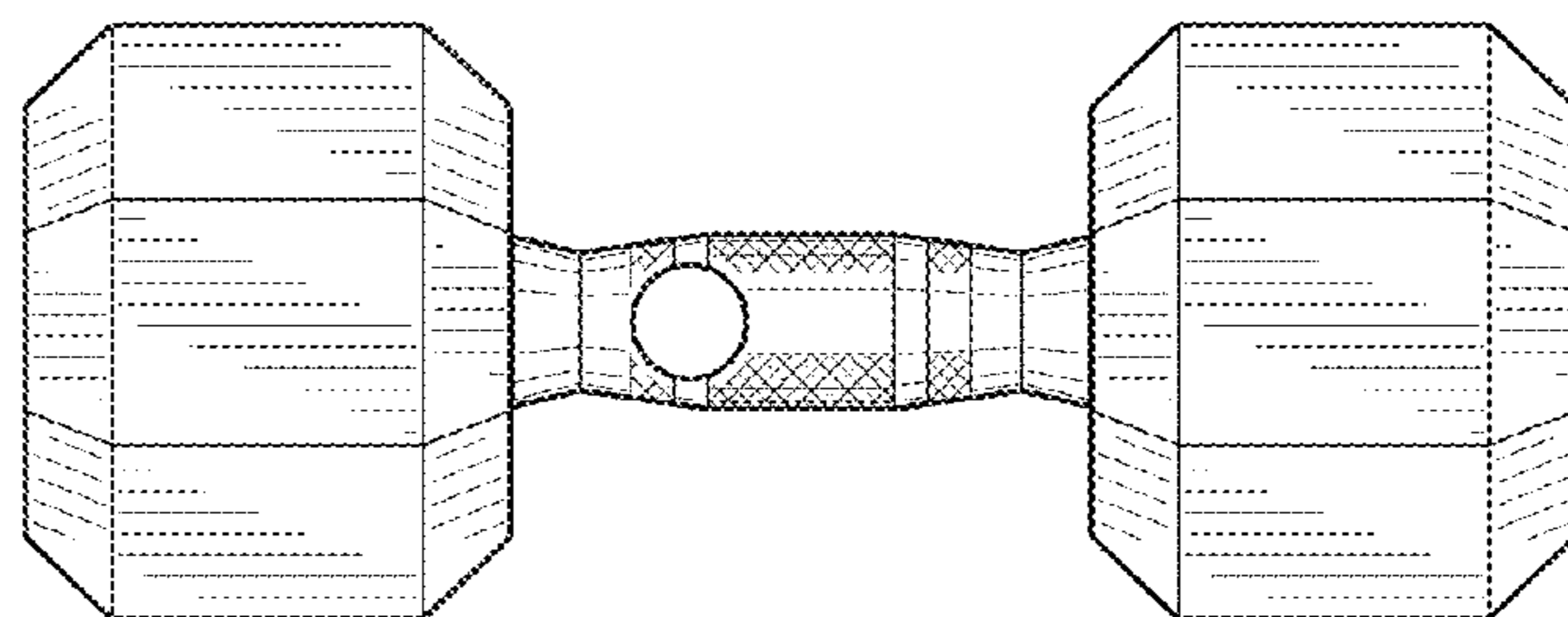


FIG. 3

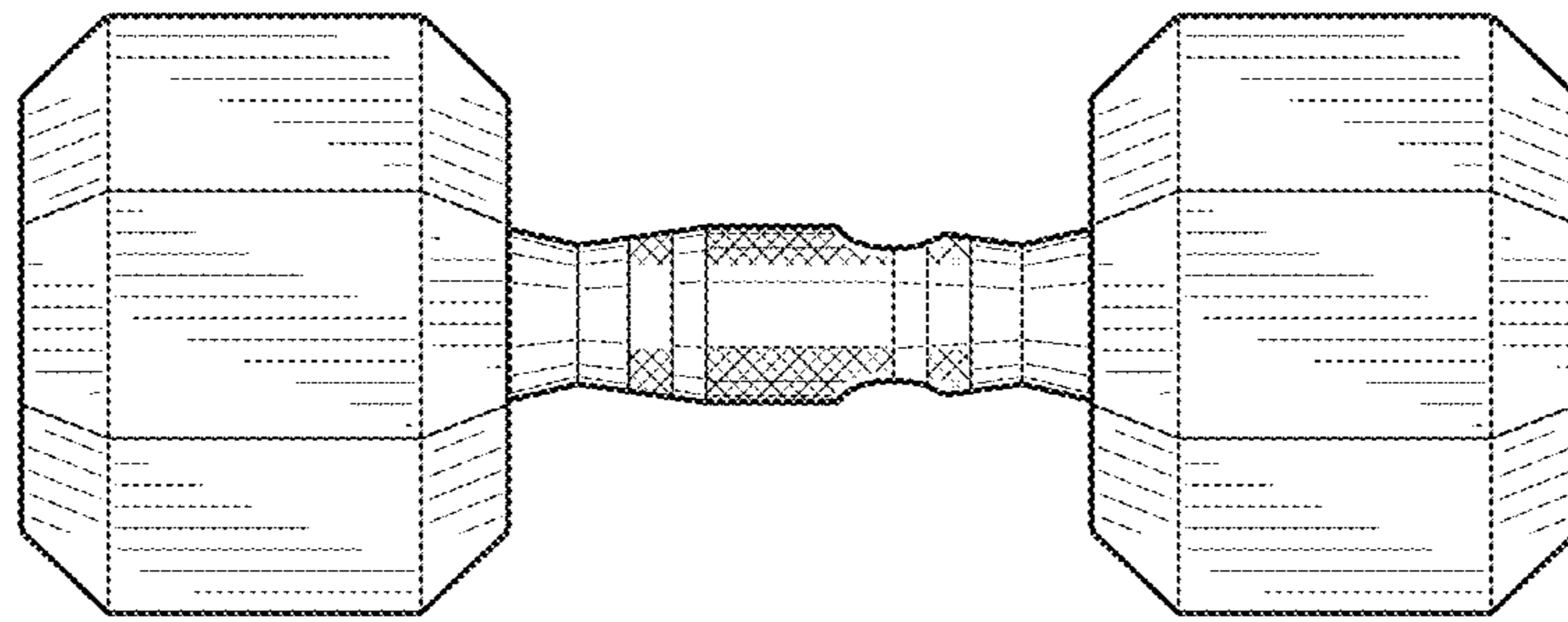


FIG. 4

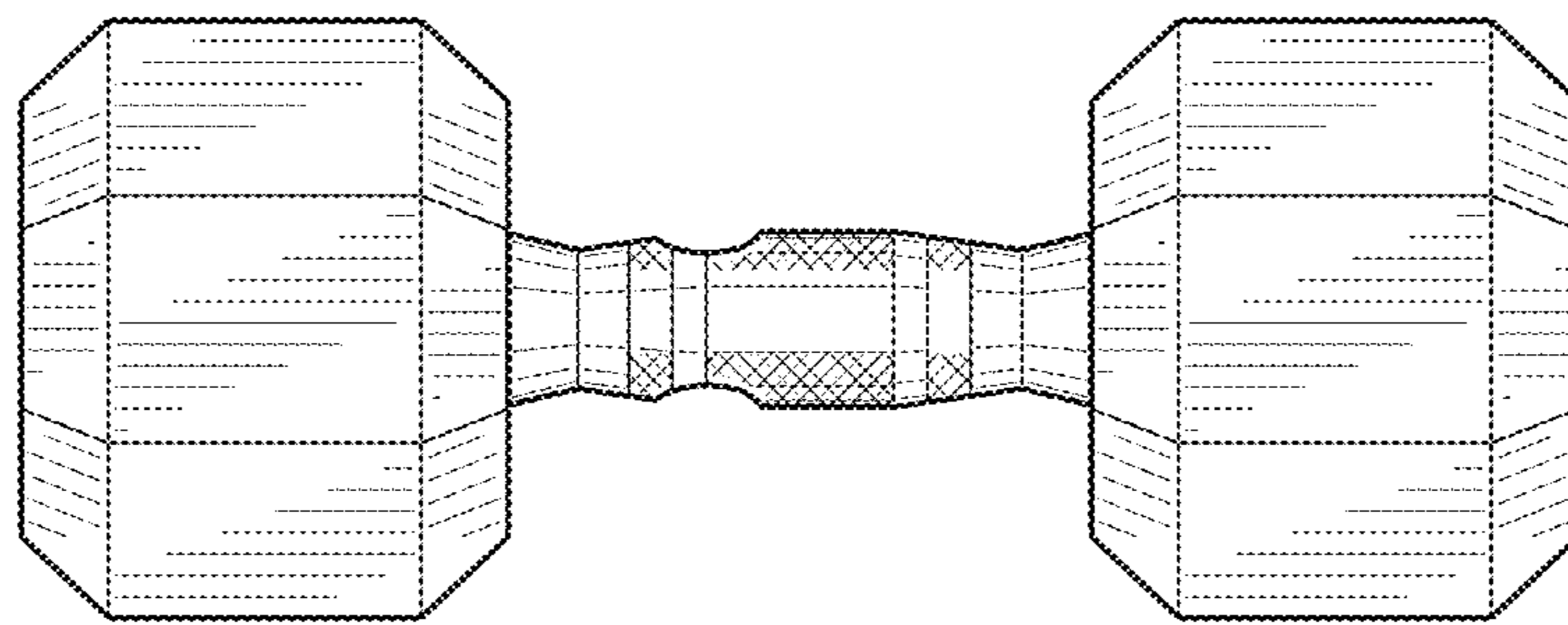


FIG. 5

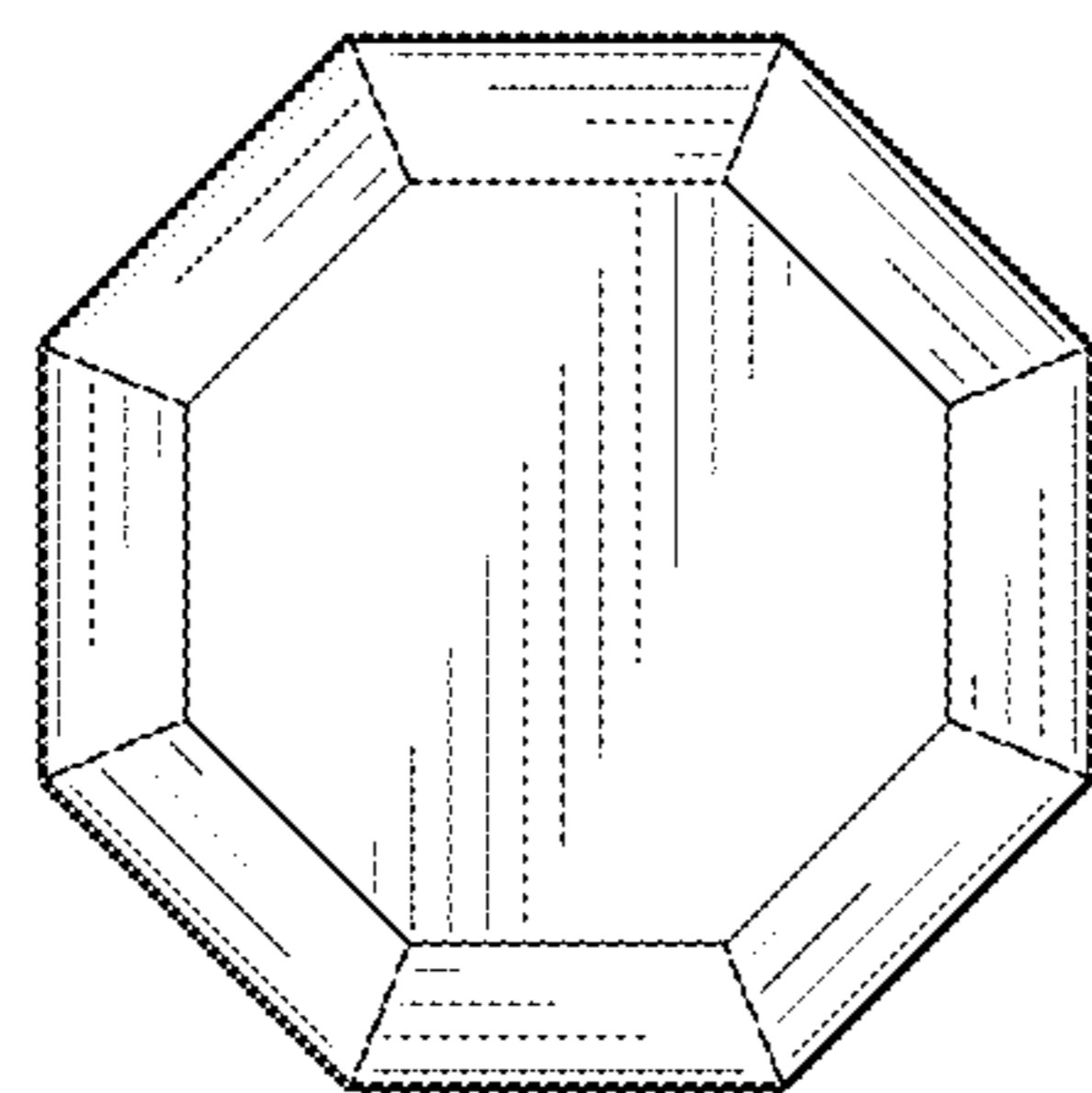


FIG. 6

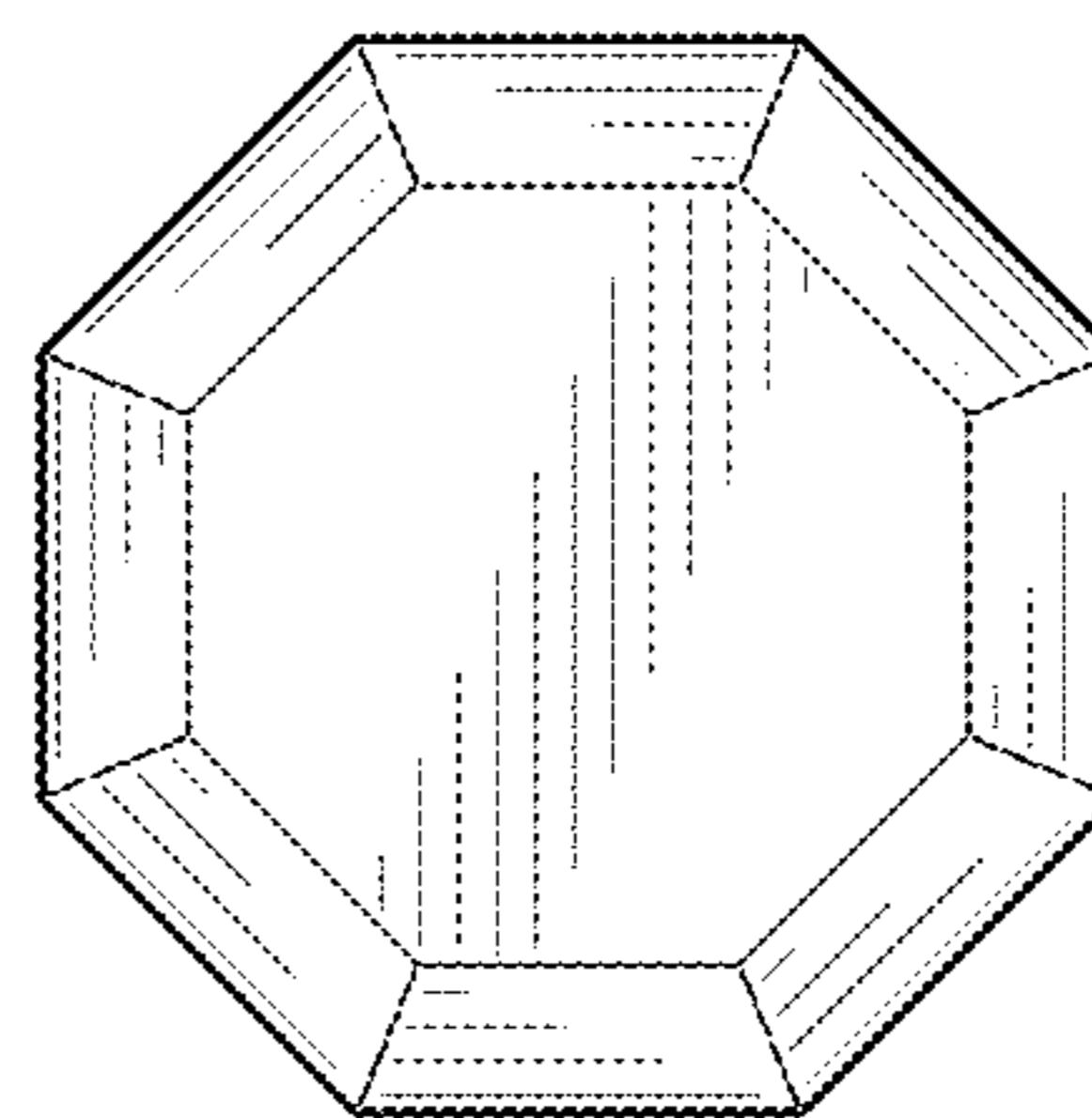


FIG. 7