



US00D751940S

(12) **United States Design Patent**  
**Vaughan et al.**

(10) **Patent No.:** **US D751,940 S**  
(45) **Date of Patent:** **\*\* Mar. 22, 2016**

(54) **PENDANT**

(71) Applicants: **John Kennedy Vaughan**, Beaumont, TX (US); **Tammie Vaughan**, Beaumont, TX (US)

(72) Inventors: **John Kennedy Vaughan**, Beaumont, TX (US); **Tammie Vaughan**, Beaumont, TX (US)

(73) Assignee: **ATHLETES FOR CHRIST, LP**, Beaumont, TX (US)

(\*\*) Term: **14 Years**

(21) Appl. No.: **29/493,354**

(22) Filed: **Jun. 9, 2014**

(51) **LOC (10) Cl.** ..... **11-01**

(52) **U.S. Cl.**  
USPC ..... **D11/81**

(58) **Field of Classification Search**  
USPC ..... D11/79-86, 1, 2, 7, 9, 11, 13, 15, D11/40-54; 63/40, 12, 13, 18, 20; D21/661, D21/638, 682, 681; 482/108, 93, 910, 107, 482/106; D9/668  
CPC .... A44C 25/00; A44C 25/001; A44C 25/007; A44C 25/008; A44C 1/00; A44C 15/005; A63B 21/072; A63B 21/0722; A63B 21/0724; A63B 21/0726; A63B 21/0728; A63B 21/0725; A63B 21/075; A63B 21/06; A63B 21/0607; A63B 21/0601; A45C 13/185; A45C 13/20  
See application file for complete search history.

(56) **References Cited**

**U.S. PATENT DOCUMENTS**

5,391,133 A \* 2/1995 Ruffa ..... A63B 21/0601 482/107  
5,509,877 A \* 4/1996 Adams ..... A63B 21/072 482/108  
6,120,420 A \* 9/2000 Pearson ..... A63B 21/072 482/106  
D431,992 S \* 10/2000 Foley, Jr. .... D8/107

D444,516 S \* 7/2001 Pearson ..... D21/681  
D496,414 S \* 9/2004 Harms ..... D21/681  
D504,923 S \* 5/2005 Harms ..... D21/681  
D546,908 S \* 7/2007 Lien ..... D21/681  
D597,612 S \* 8/2009 Lien ..... D21/681  
D624,614 S \* 9/2010 Lien ..... D21/681  
D628,248 S \* 11/2010 Januszek ..... D21/681  
D628,250 S \* 11/2010 Januszek ..... D21/681  
8,118,717 B1 \* 2/2012 Lai ..... A63B 21/0608 482/108  
D710,241 S \* 8/2014 Vaughan ..... D11/81  
D746,168 S \* 12/2015 Vaughan ..... D11/81  
2003/0232705 A1 \* 12/2003 Harms ..... A63B 21/0728 482/108  
2008/0214368 A1 \* 9/2008 Cao ..... A63B 21/0726 482/108  
2013/0288862 A1 \* 10/2013 Lien ..... A63B 21/0726 482/108  
2014/0243169 A1 \* 8/2014 Justice ..... A63B 21/1469 482/108

**OTHER PUBLICATIONS**

[Online] <https://www.etsy.com/transaction/1035784291?> Retrieved Jan. 7, 2016.\*

(Continued)

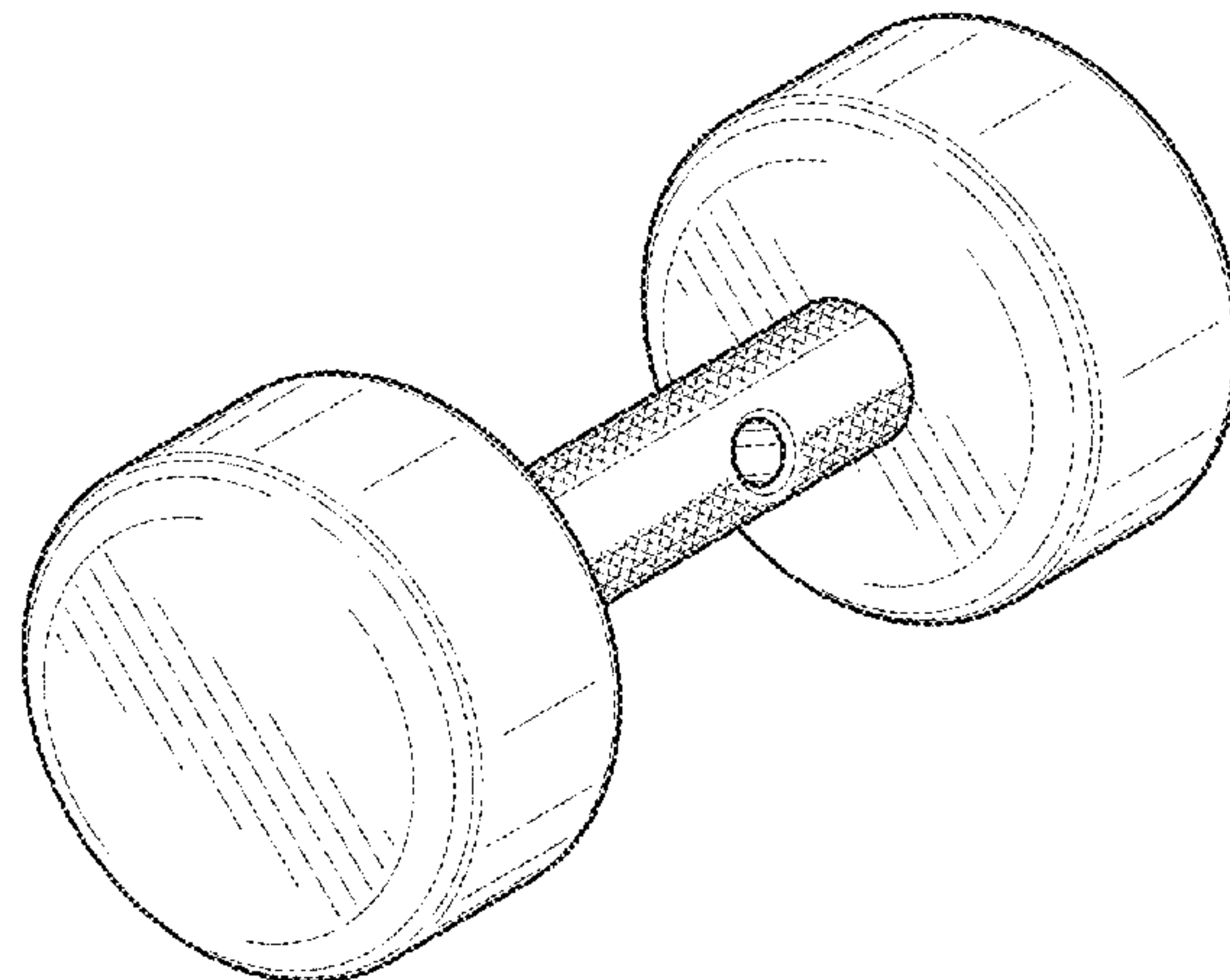
*Primary Examiner* — Garth Rademaker  
*Assistant Examiner* — Melanie Pellegrini  
(74) *Attorney, Agent, or Firm* — Egbert Law Offices, PLLC

(57) **CLAIM**  
The ornamental design for a pendant, as shown and described.

**DESCRIPTION**

FIG. 1 is a perspective view of the pendant showing our new design.  
FIG. 2 is a front view thereof;  
FIG. 3 is a rear view thereof;  
FIG. 4 is a top view thereof;  
FIG. 5 is a bottom view thereof.  
FIG. 6 is a side view thereof; and,  
FIG. 7 is an opposite side view thereof.  
The broken lines in the drawings represent unclaimed portions of the pendant and form no part of the claimed design.

**1 Claim, 2 Drawing Sheets**



(56)

**References Cited**

OTHER PUBLICATIONS

[Online] [http://cdn1.bigcommerce.com/n-63unu/d05toasu/products/484/images/1633/30358\\_His\\_Antique\\_Round\\_DB\\_18749.1446580362.1280.1280.jpg?c=2](http://cdn1.bigcommerce.com/n-63unu/d05toasu/products/484/images/1633/30358_His_Antique_Round_DB_18749.1446580362.1280.1280.jpg?c=2). Retrieved Jan. 7, 2016.\*

[Online] [http://g03.s.alicdn.com/kf/HTB1qxS\\_](http://g03.s.alicdn.com/kf/HTB1qxS_)

JXXXXXblaXXXq6xXFXXXg/Hot-Stainless-Steel-Fitness-Dumbbell-Pendant.jpg\_200x200.jpg. Retrieved Jan. 7, 2016.\*  
[Online] [https://www.google.com/search?q=iron+warrior+jewelry&biw=954&bih=630&source=lnms&tbn=isch&sa=X&sqi=2&ved=0ahUKEwiZyNHogpnKAhUN4mMKHZF5Bx4Q\\_AUIC-CgD&dpr=1.25#imgrc=oZfFom54liWdaM%3A](https://www.google.com/search?q=iron+warrior+jewelry&biw=954&bih=630&source=lnms&tbn=isch&sa=X&sqi=2&ved=0ahUKEwiZyNHogpnKAhUN4mMKHZF5Bx4Q_AUIC-CgD&dpr=1.25#imgrc=oZfFom54liWdaM%3A). Retrieved Jan. 7, 2016.\*

\* cited by examiner

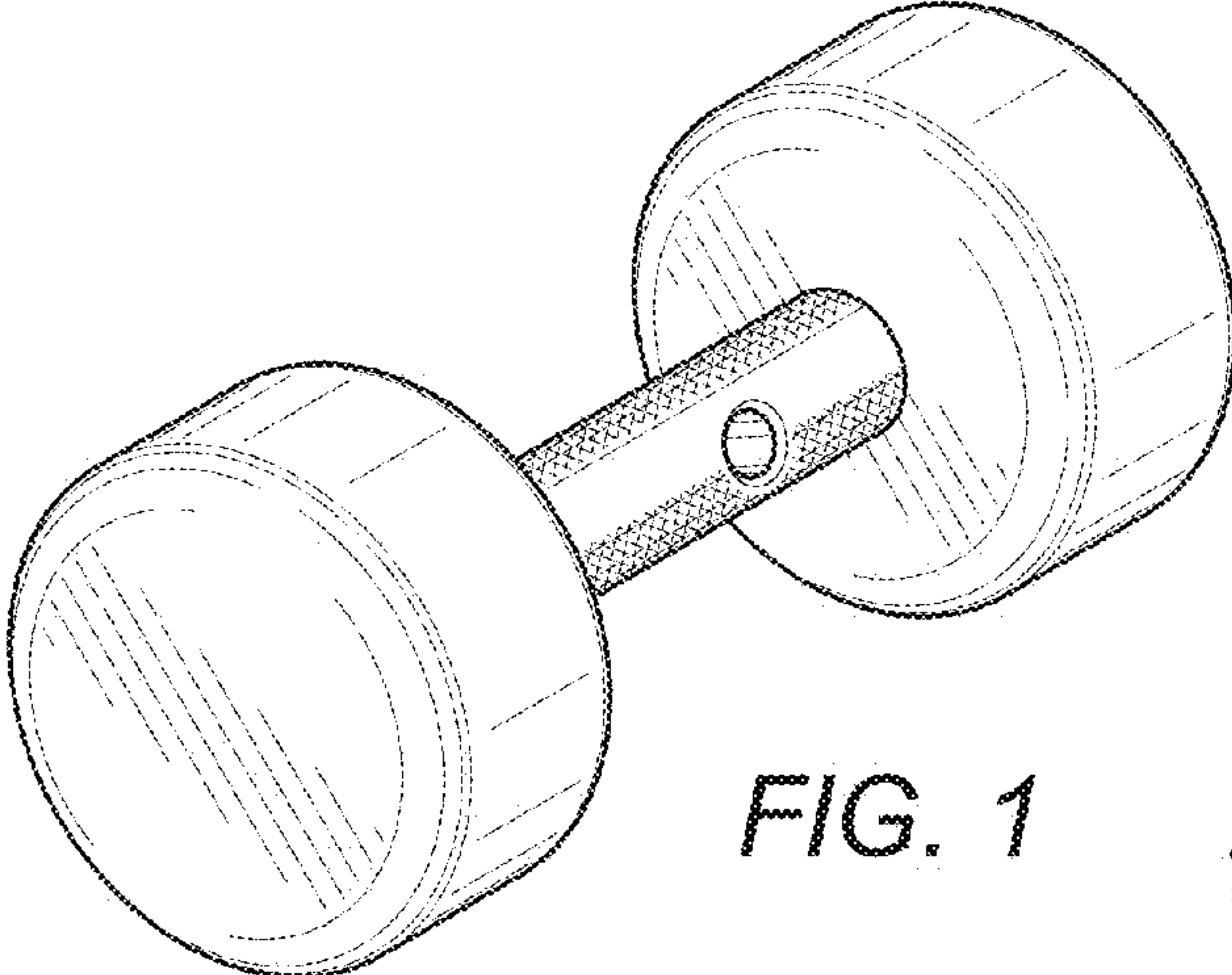


FIG. 1

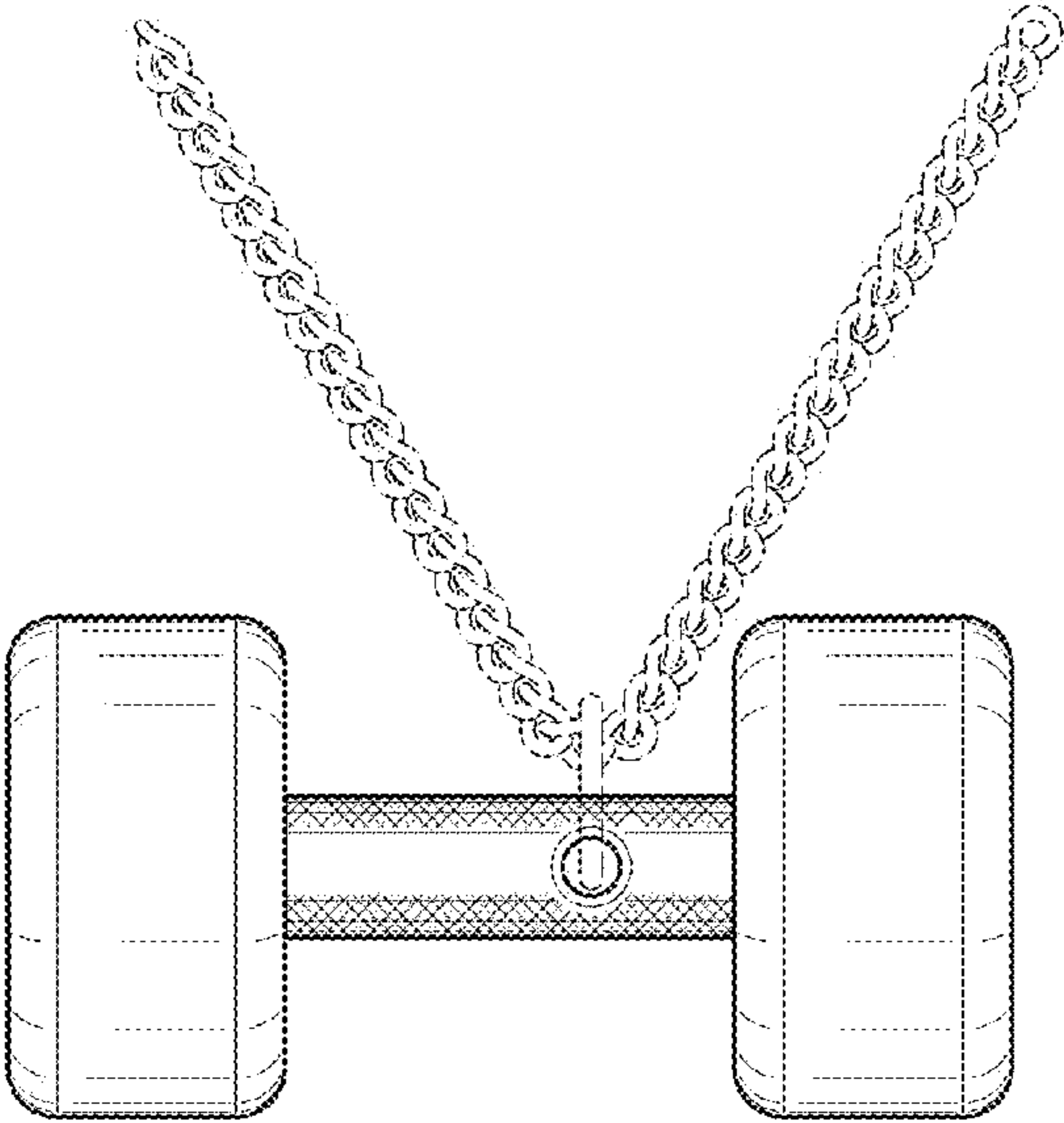


FIG. 2

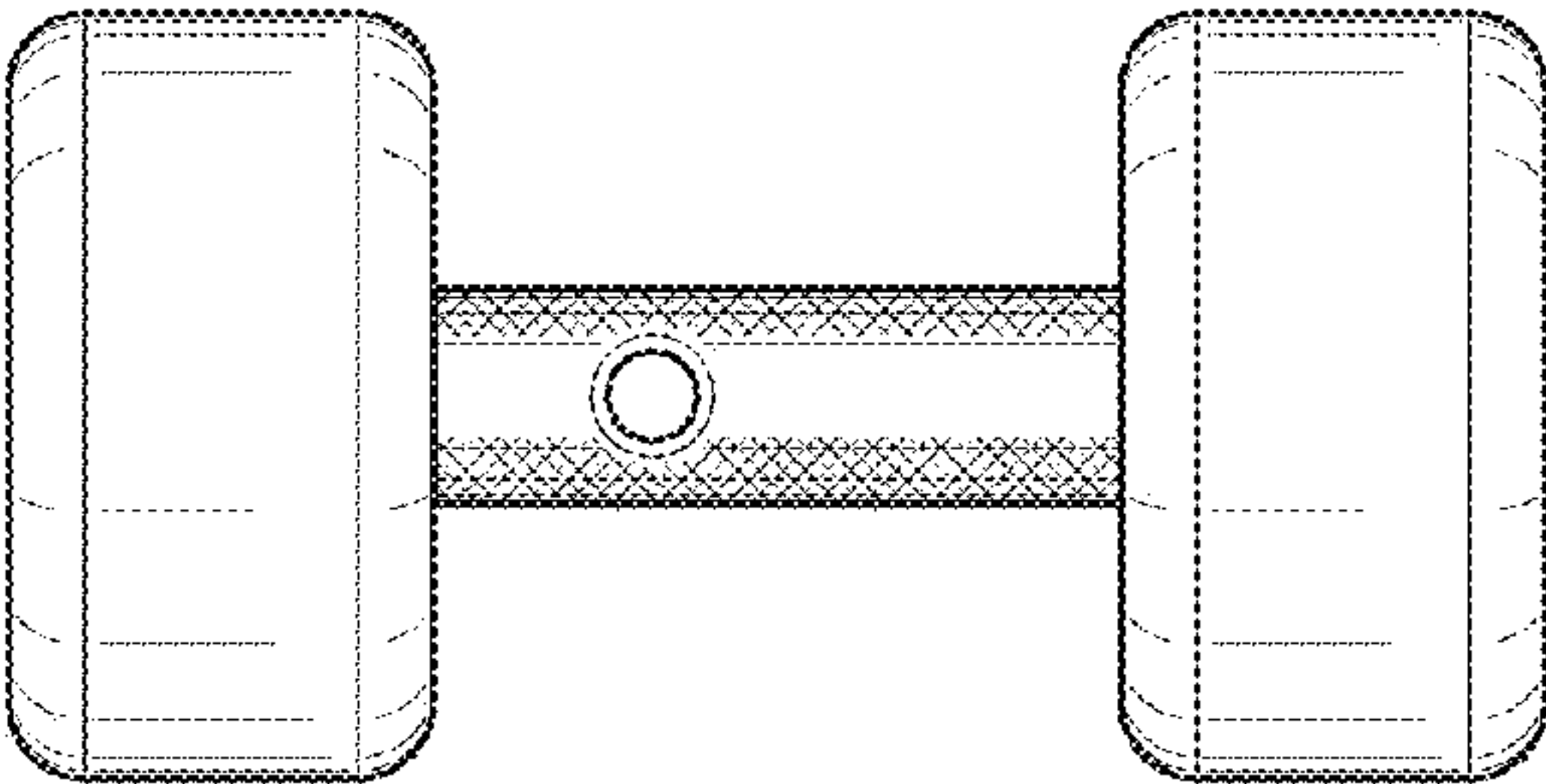


FIG. 3

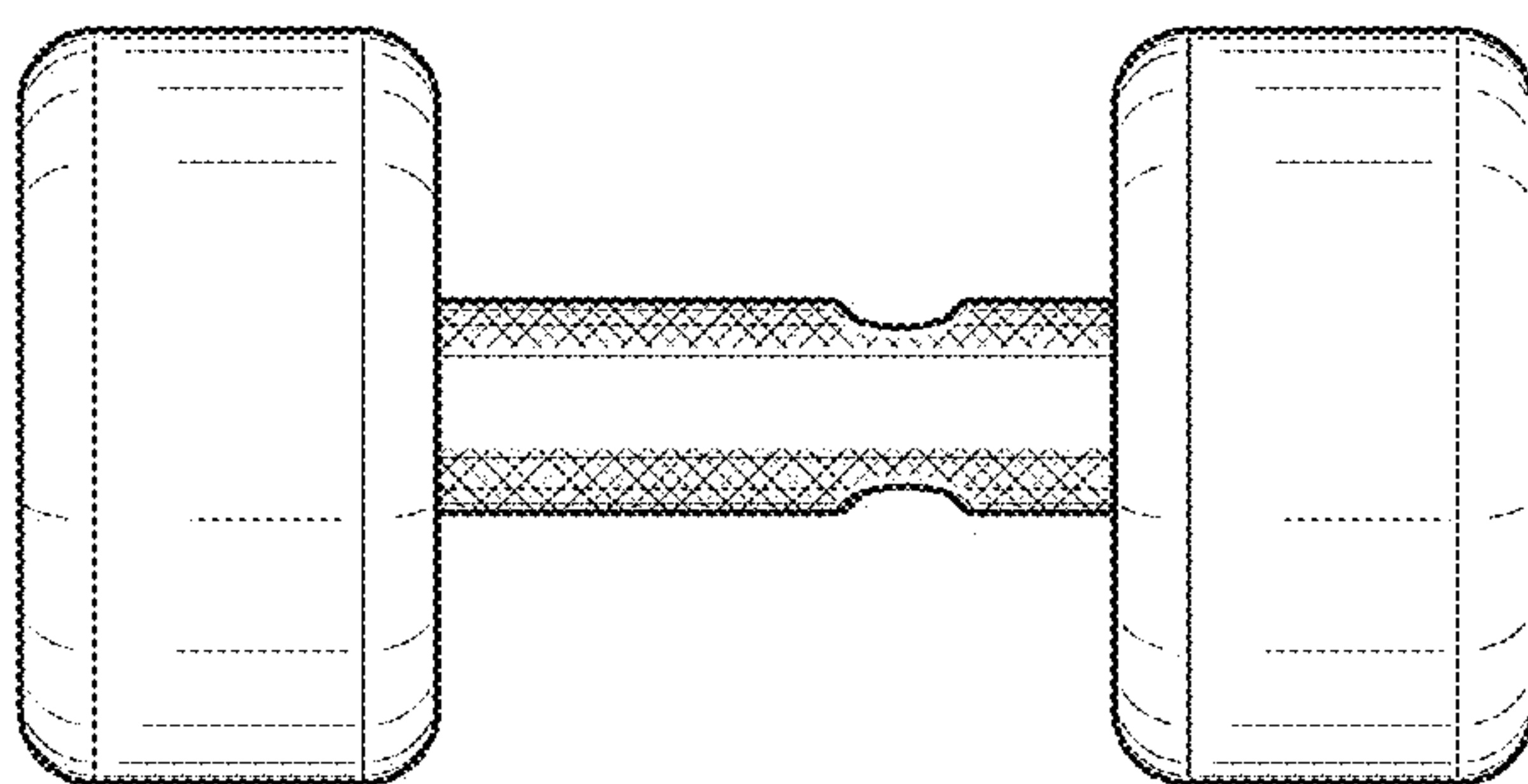


FIG. 4

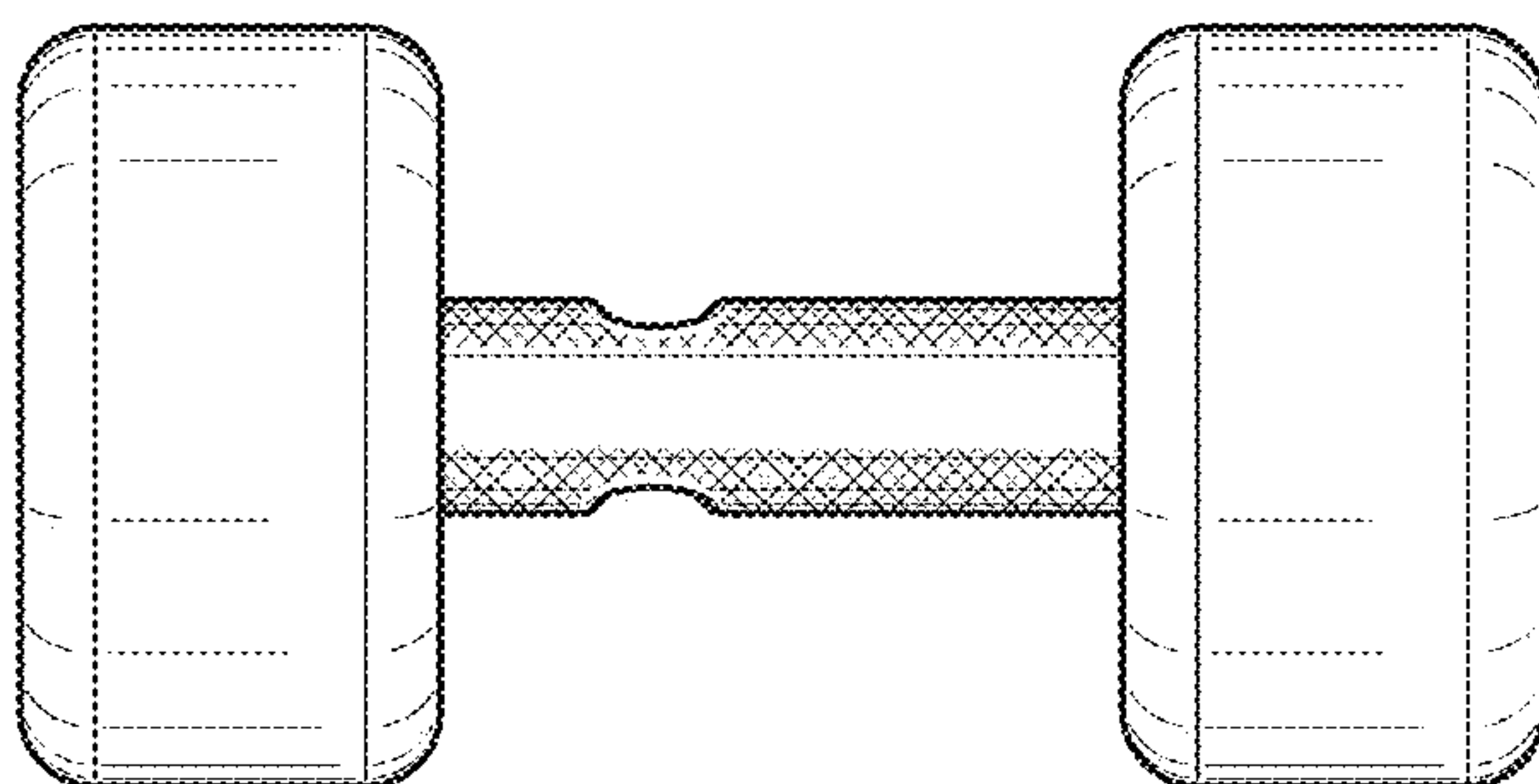


FIG. 5

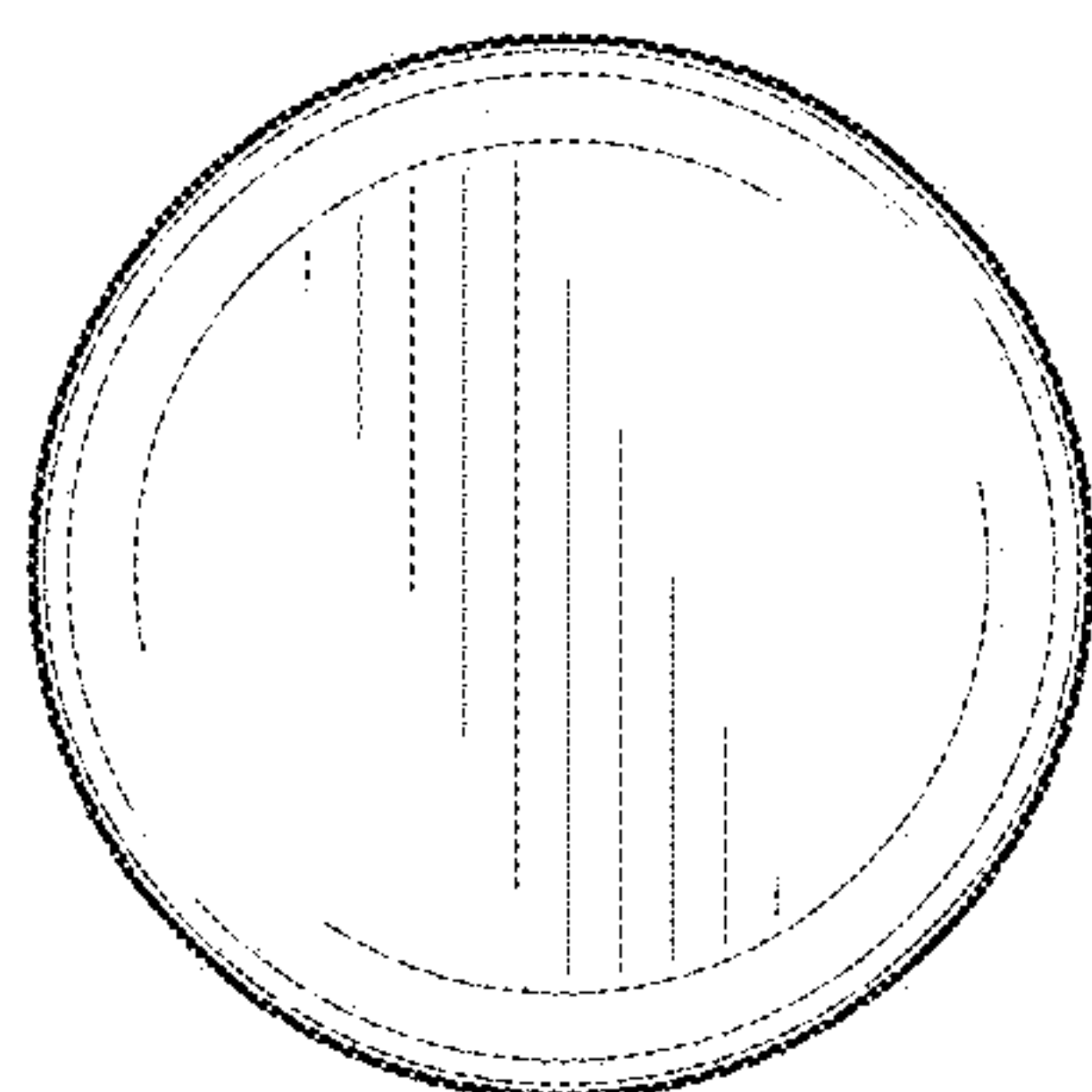


FIG. 6

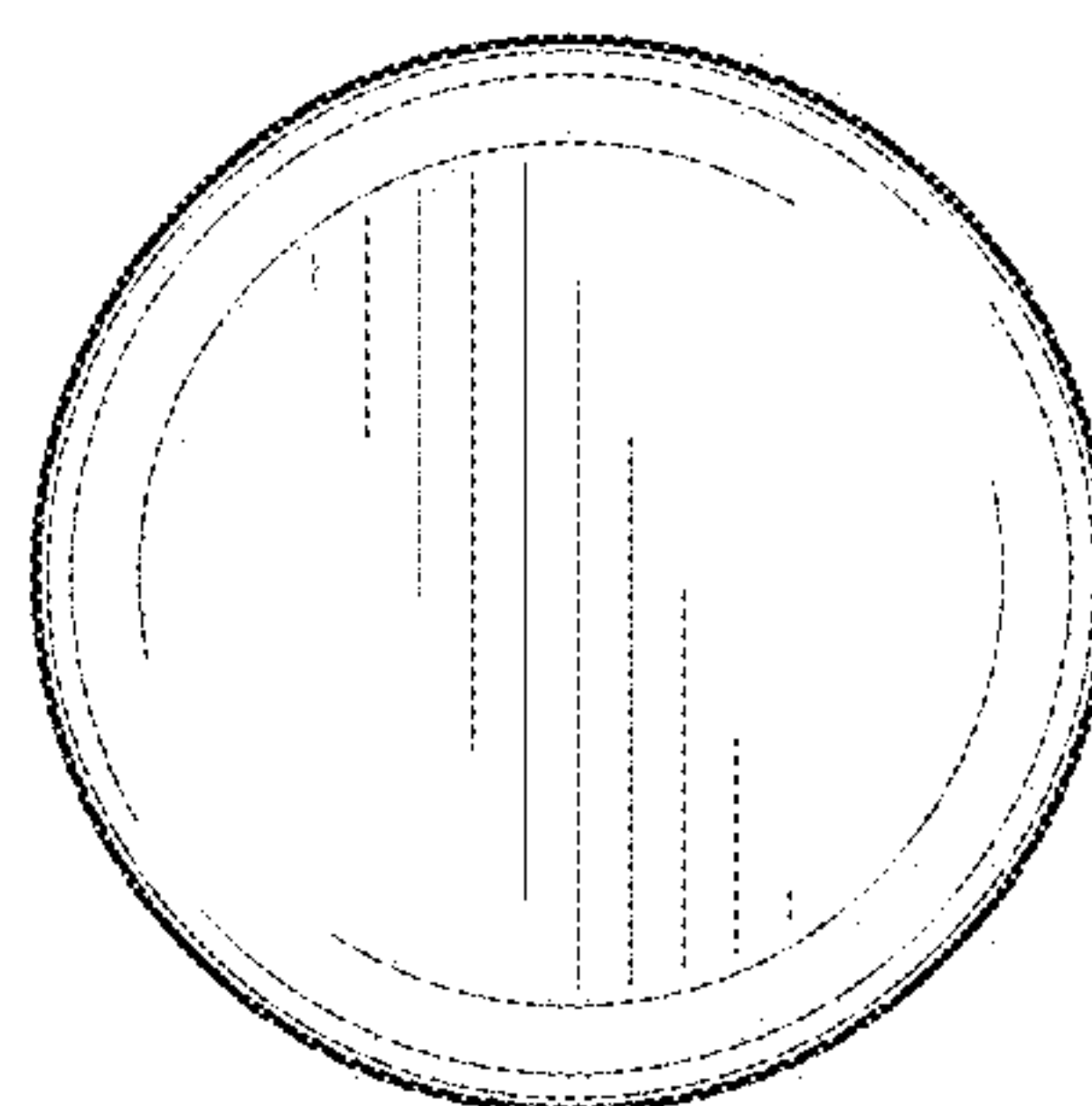


FIG. 7