



US00D751939S

(12) **United States Design Patent**
Vartanian

(10) **Patent No.:** **US D751,939 S**
(45) **Date of Patent:** **** Mar. 22, 2016**

(54) **ARTICLE OF JEWELRY**

(71) Applicant: **JACK VARTANIAN EPP**, São Paulo (BR)

(72) Inventor: **Jack Vartanian**, São Paulo (BR)

(73) Assignee: **JACK VARTANIAN EPP**, Sao Paulo (BR)

(**) Term: **14 Years**

(21) Appl. No.: **29/472,468**

(22) Filed: **Nov. 12, 2013**

(51) **LOC (10) Cl.** **11-01**

(52) **U.S. Cl.**
USPC **D11/1; D11/91**

(58) **Field of Classification Search**
USPC D11/1, 2, 26-43, 79-86, 91, 92; 63/12, 63/13, 14, 18, 26-28, 29.1, 29.2, 31, 32, 63/1.11, 35
See application file for complete search history.

(56) **References Cited**

U.S. PATENT DOCUMENTS

D132,457 S	5/1942	Nathan
D145,263 S	7/1946	Philippe
D152,068 S	12/1948	Donchi
D156,312 S	12/1949	Bogoff
D172,623 S	7/1954	Katz
D257,026 S	9/1980	Barr
D279,878 S	7/1985	Moon
D335,471 S	5/1993	Coleman
D381,925 S	8/1997	Bergannini
D386,439 S	11/1997	Itzkowitz
D394,824 S	6/1998	Itzkowitz

(Continued)

OTHER PUBLICATIONS

[Online] <http://onlinestore.jackvartanian.com/collection/new-desire#!/campanha/0>. Retrieved Jun. 26, 2014.*

(Continued)

Primary Examiner — Cathron Brooks
Assistant Examiner — Melanie Pellegrini
(74) *Attorney, Agent, or Firm* — Ladas & Parry, LLP

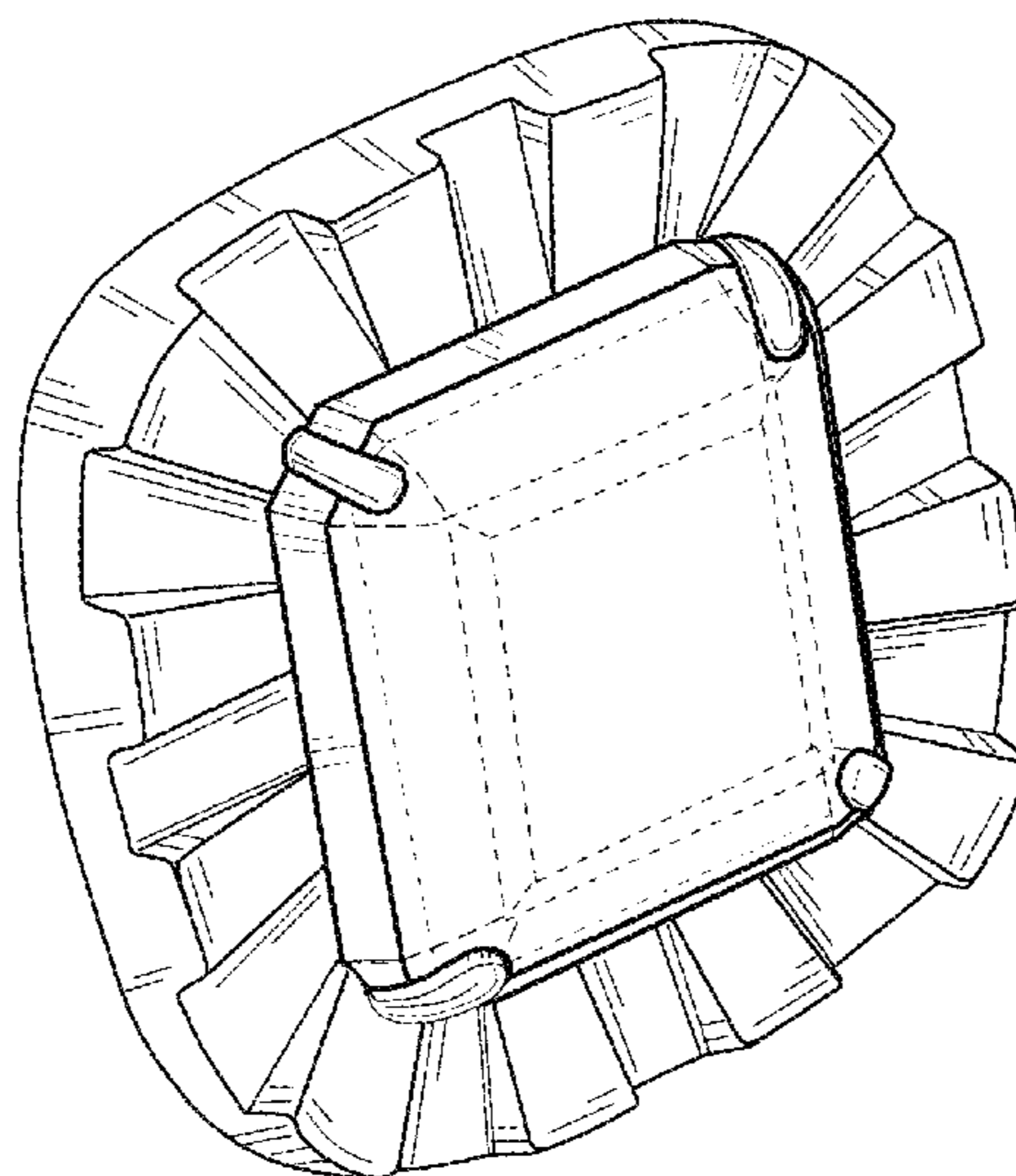
(57) **CLAIM**

The ornamental design for an article of jewelry, as shown and described.

DESCRIPTION

FIG. 1 is a front perspective view of a first embodiment of an article of jewelry showing my new design;
FIG. 2 is a front view of the design thereof;
FIG. 3 is a back view of the design thereof;
FIG. 4 is a left side view of the design thereof, the right side view being a mirror image thereof;
FIG. 5 is a top view of the design thereof, the bottom view being a mirror image thereof;
FIG. 6 is a front perspective view of a second embodiment of the design thereof;
FIG. 7 is a front view of the design thereof;
FIG. 8 is a back view of a design thereof;
FIG. 9 is a left side perspective view of the design thereof, the right side perspective view being a mirror image thereof;
FIG. 10 is a top perspective view of the design thereof, the bottom perspective view being a mirror image thereof;
FIG. 11 is front perspective view of a third embodiment of the design thereof;
FIG. 12 is a front view of the design thereof;
FIG. 13 is a back view of the design thereof;
FIG. 14 is a left side perspective view of the design thereof, the right side perspective view being a mirror image thereof; and,
FIG. 15 is a top view of the design thereof, the bottom view being a mirror image thereof.
The broken lines in the drawings represent portions of the article of jewelry which form no part of the claimed design.

1 Claim, 14 Drawing Sheets



(56)

References Cited

U.S. PATENT DOCUMENTS

D406,246 S	3/1999	Bulgari	
D417,636 S *	12/1999	Ambar	D11/40
D439,190 S	3/2001	Itzkowitz	
D442,110 S	5/2001	Edmond	
D447,716 S	9/2001	Itzkowitz	
D452,183 S	12/2001	Pinto	
D460,714 S	7/2002	Steinberg	
D485,778 S	1/2004	Steckbeck	
D485,779 S	1/2004	Steckbeck	
D486,416 S	2/2004	Pachachi	
D499,046 S	11/2004	Pinto	
D511,310 S	11/2005	Gruosi	
D642,088 S *	7/2011	Kothari	D11/40
D655,219 S *	3/2012	Kothari	D11/40
D666,522 S *	9/2012	Dholakiya	D11/91
D674,315 S *	1/2013	Dholakiya	D11/40
D679,215 S *	4/2013	Roehl	D11/91
D682,139 S *	5/2013	Kothari	D11/40
2011/0056242 A1	3/2011	Chan	

OTHER PUBLICATIONS

U.S. Appl. No. 29/467,066, filed Sep. 13, 2013, Vartanian.
 U.S. Appl. No. 29/469,684, filed Oct. 12, 2013, Vartanian.
 U.S. Appl. No. 29/472,467, filed Nov. 12, 2013, Vartanian.
 U.S. Appl. No. 29/482,689, filed Feb. 20, 2014, Vartanian.
 U.S. Appl. No. 29/483,607, filed Feb. 28, 2014, Vartanian.
 U.S. Appl. No. 29/483,609, filed Feb. 28, 2014, Vartanian.
 U.S. Appl. No. 29/483,610, filed Feb. 28, 2014, Vartanian.
 U.S. Appl. No. 29/483,611, filed Feb. 28, 2014, Vartanian.
 U.S. Appl. No. 29/483,914, filed Mar. 4, 2014, Vartanian.
 U.S. Appl. No. 29/484,340, filed Mar. 7, 2014, Vartanian.
 U.S. Appl. No. 29/484,341, filed Mar. 7, 2014, Vartanian.
 U.S. Appl. No. 29/484,502, filed Mar. 10, 2014, Vartanian.
 Picture of table, taken on Jul. 16, 2014.
 [Online] <http://cherylkremkow.com/core/wp-content/uploads/2014/07/Jack-Vartanian-Ruby.jpg>. Retrieved Sep. 15, 2014.
 [Online] <http://mdemulher.abril.com.br/blogs/modaspot-news/files/legado/2013/03/joias.jpg>. Retrieved Aug. 21, 2014.
 [Online] <http://media-cache-ak0.pinimg.com/236x/28/58/c6/2858c6829b4485a5e6022552327a81e5.jpg>. Retrieved Sep. 17, 2014.

[Online] <http://media-cache-ak0.pinimg.com/236x/77/c6/94/77c694ba4375d2e3fbf93b28e187b9d3.jpg>. Retrieved Sep. 11, 2014.
 [Online] <http://media-cache-ak0.pinimg.com/736x/24/f6/e7/24f6e7fba27f0b3c111e32ec62d3e273.jpg>. Retrieved Sep. 17, 2014.
 [Online] <http://media-cache-ec0.pinimg.com/236x/7e/91/ff/7e91ff2bb400a39579acf5d39c021196.jpg>. Retrieved Sep. 17, 2014.
 [Online] <http://media-cache-ec0.pinimg.com/736x/23/ff/eb/23ffeb119625afa8b1104757e0a166e.jpg>. Retrieved Sep. 17, 2014.
 [Online] <http://media-cache-ec0.pinimg.com/736x/c7/84/f1/c784f163e3fcb9749c47f66cec011f52.jpg>. Retrieved Sep. 11, 2014.
 [Online] <http://thefashion-court.com/wp-content/uploads/2014/06/jack-vartanian-universal-diamond-ear-climbers-earrings.png>. Retrieved Sep. 17, 2014.
 [Online] <http://thefashion-court.com/wp-content/uploads/2014/08/jack-vartanian-diamond-ear-climbers-black.png>. Retrieved Sep. 17, 2014.
 Office Action from Design U.S. Appl. No. 29/467,066 mailed on Sep. 17, 2014.
 Office Action from Design U.S. Appl. No. 29/469,684 mailed on Aug. 25, 2014.
 Office Action from Design U.S. Appl. No. 29/472,467 mailed on Jun. 27, 2014.
 Office Action from Design U.S. Appl. No. 29/482,689 mailed on Oct. 1, 2014.
 Office Action from Design U.S. Appl. No. 29/483,607 mailed on Sep. 23, 2014.
 Office Action from Design U.S. Appl. No. 29/483,609 mailed on Sep. 17, 2014.
 Office Action from Design U.S. Appl. No. 29/483,610 mailed on Sep. 18, 2014.
 Office Action from Design U.S. Appl. No. 29/483,611 mailed on Sep. 22, 2014.
 Office Action from Design U.S. Appl. No. 29/483,914 mailed on Sep. 25, 2014.
 Office Action from Design U.S. Appl. No. 29/484,340 mailed on Sep. 23, 2014.
 Office Action from Design U.S. Appl. No. 29/484,341 mailed on Sep. 19, 2014.
 Office Action from Design U.S. Appl. No. 29/484,502 mailed on Sep. 22, 2014.
 [Online] <http://onlinestore.jackvartanian.com/collection/new-desire#!/campanha/3>. Retrieved Jun. 26, 2014.

* cited by examiner

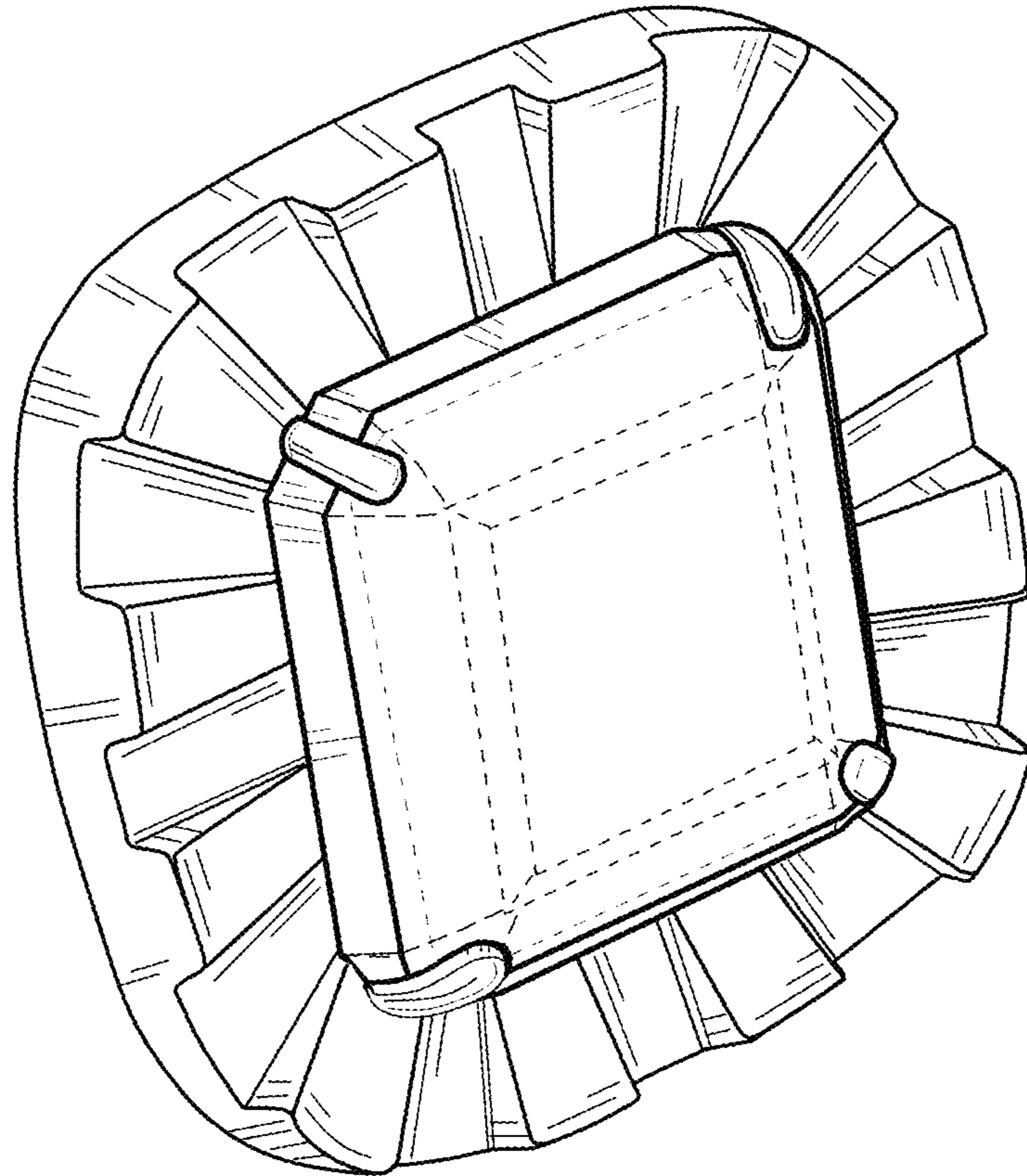


FIG. 1

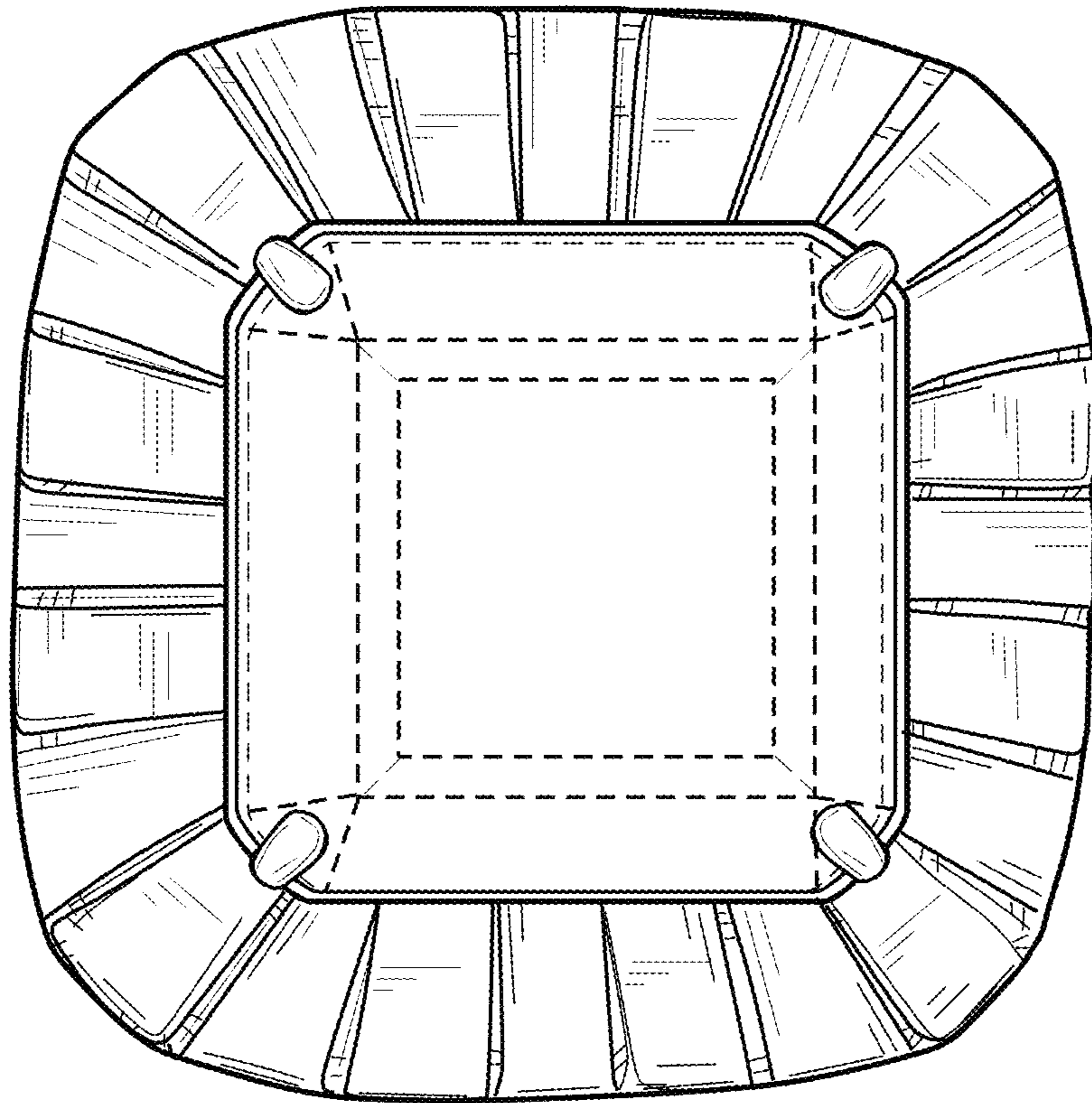


FIG. 2

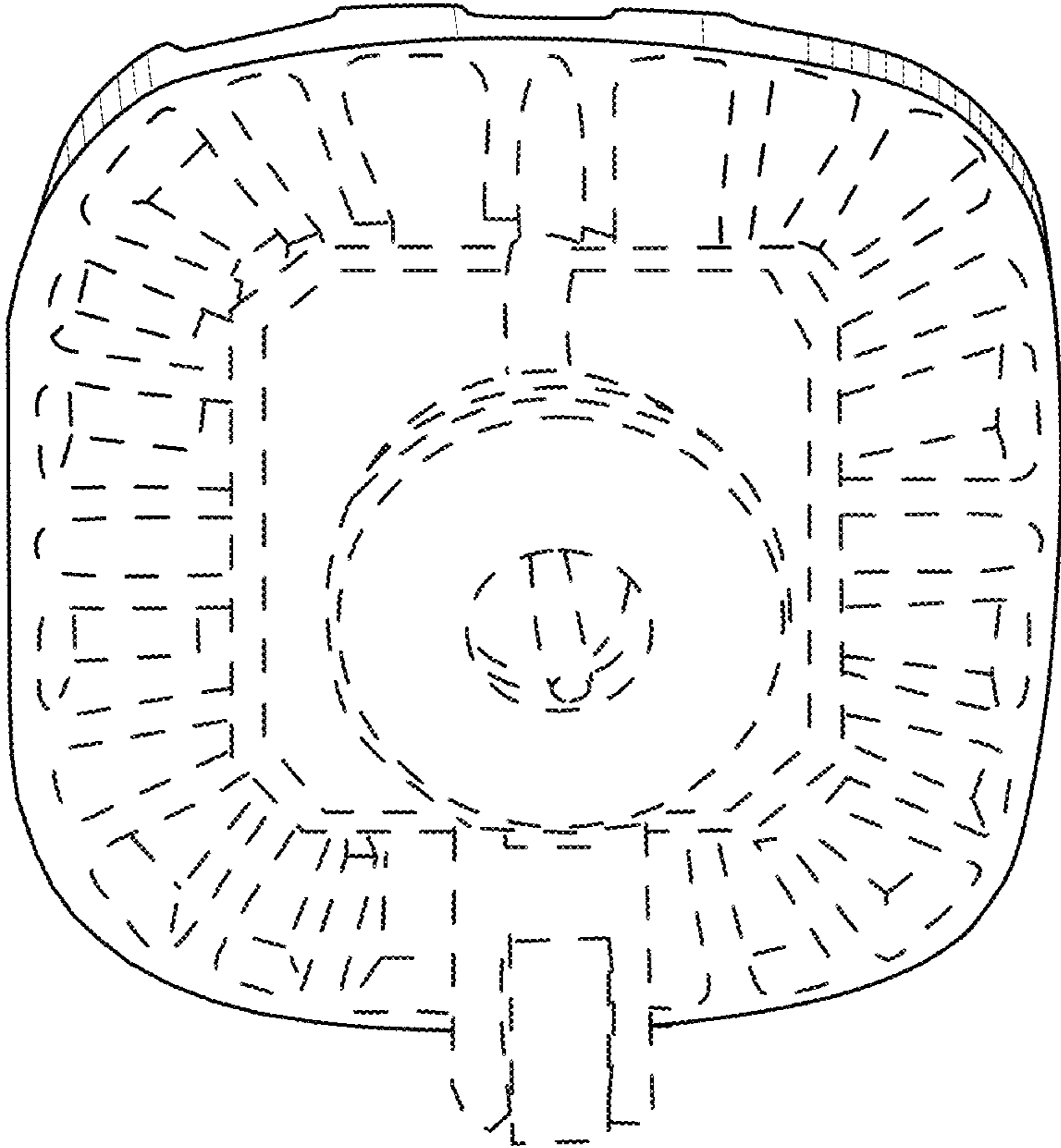


FIG. 3

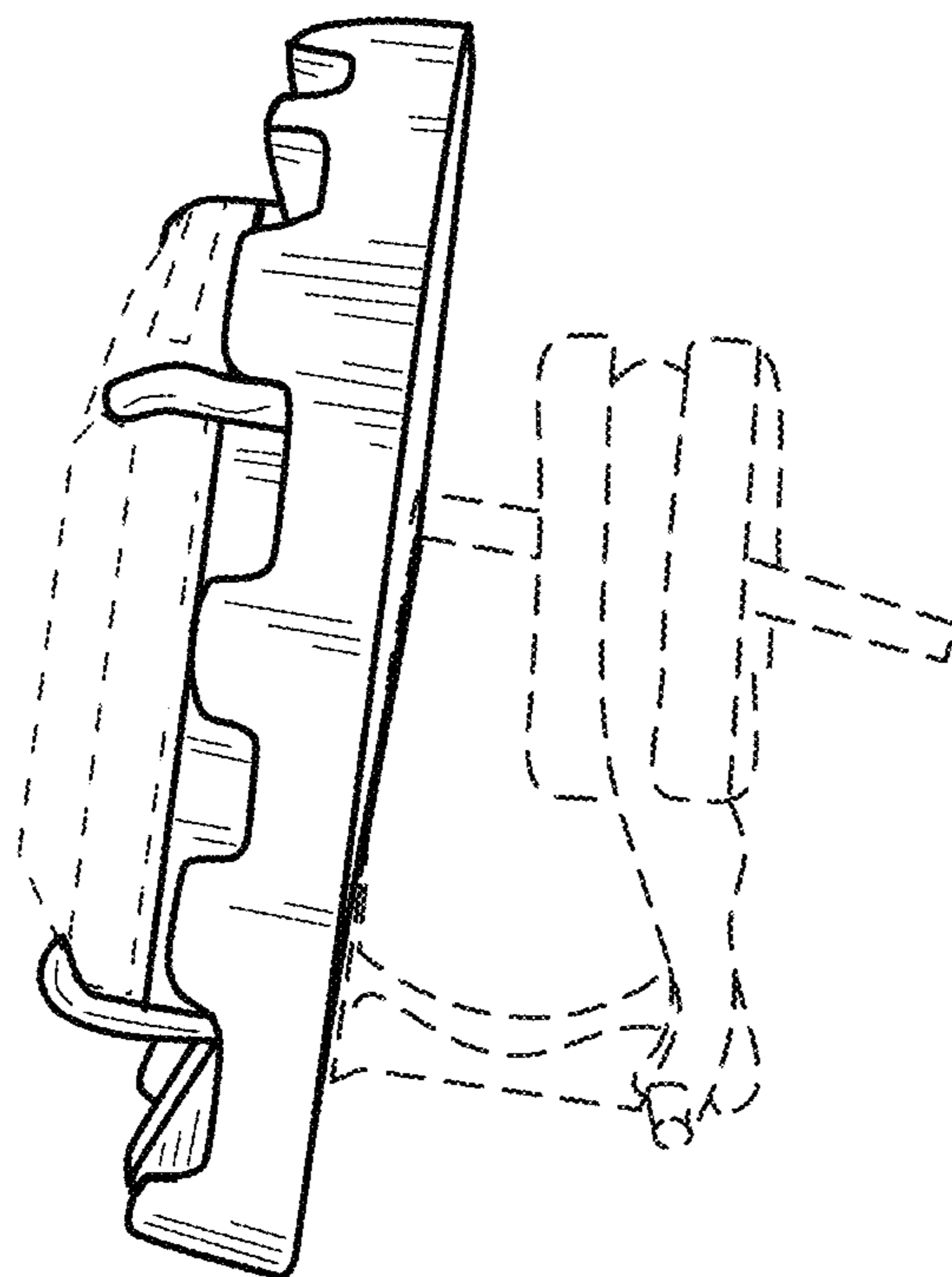


FIG. 4

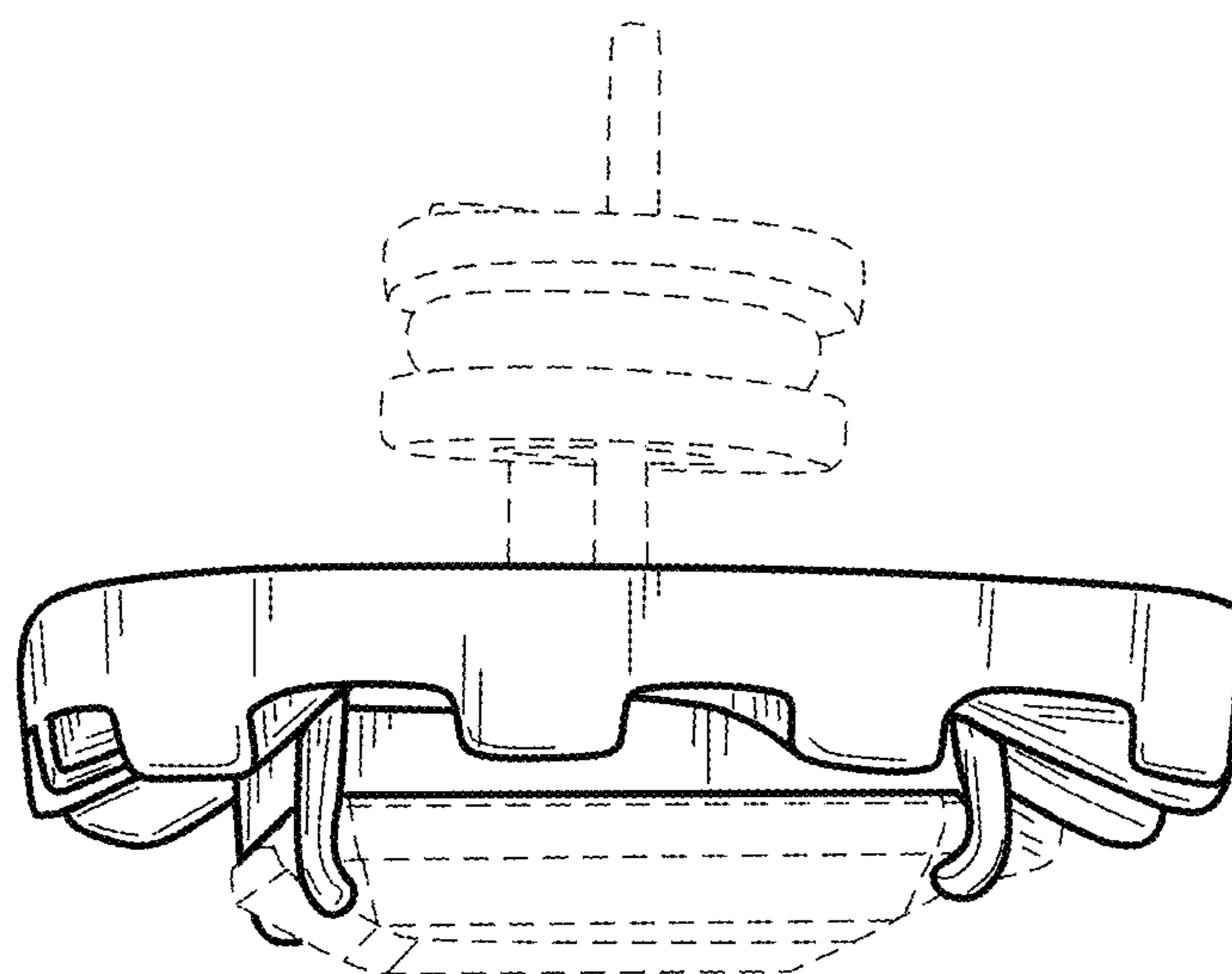


FIG. 5

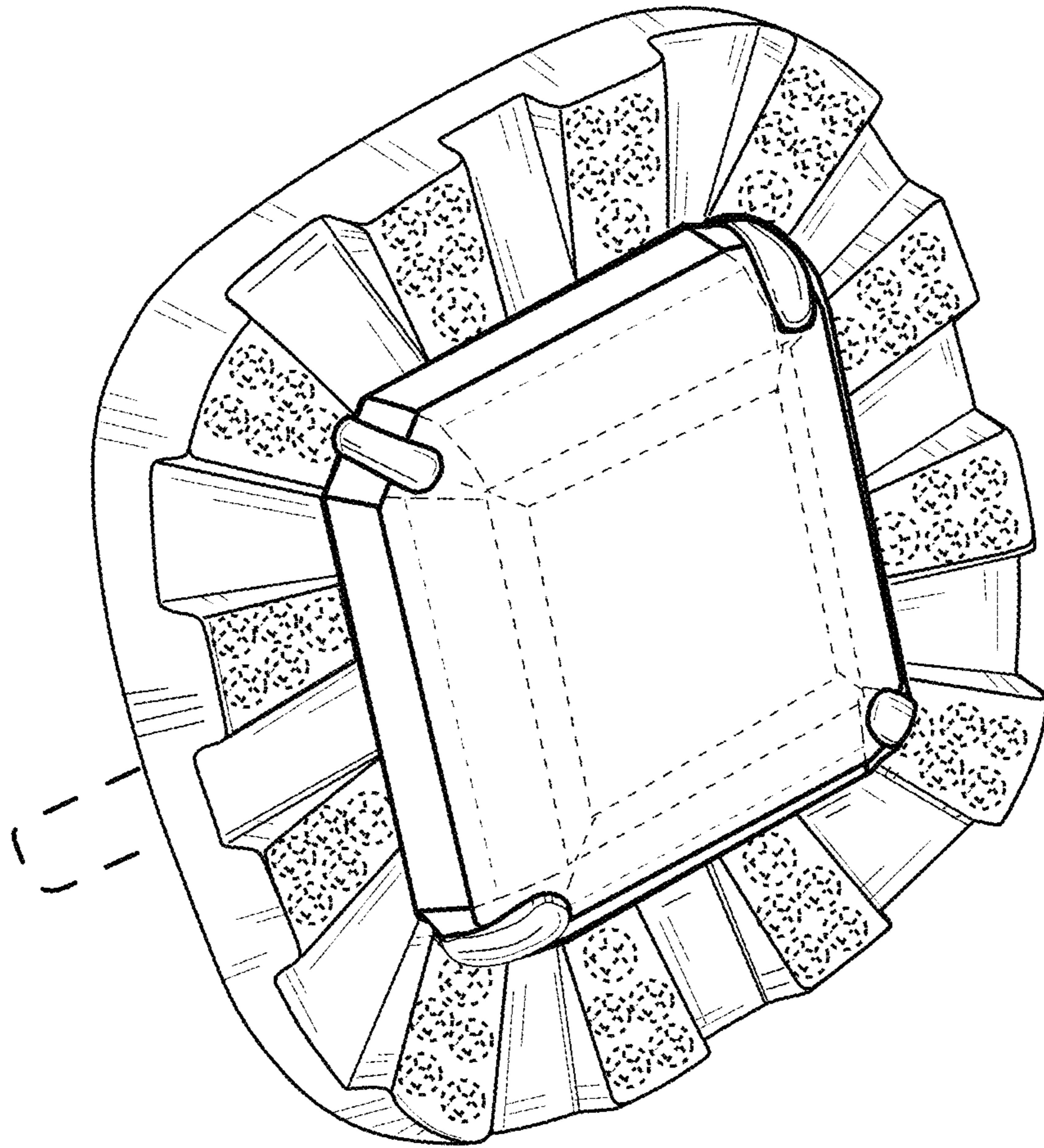


FIG. 6

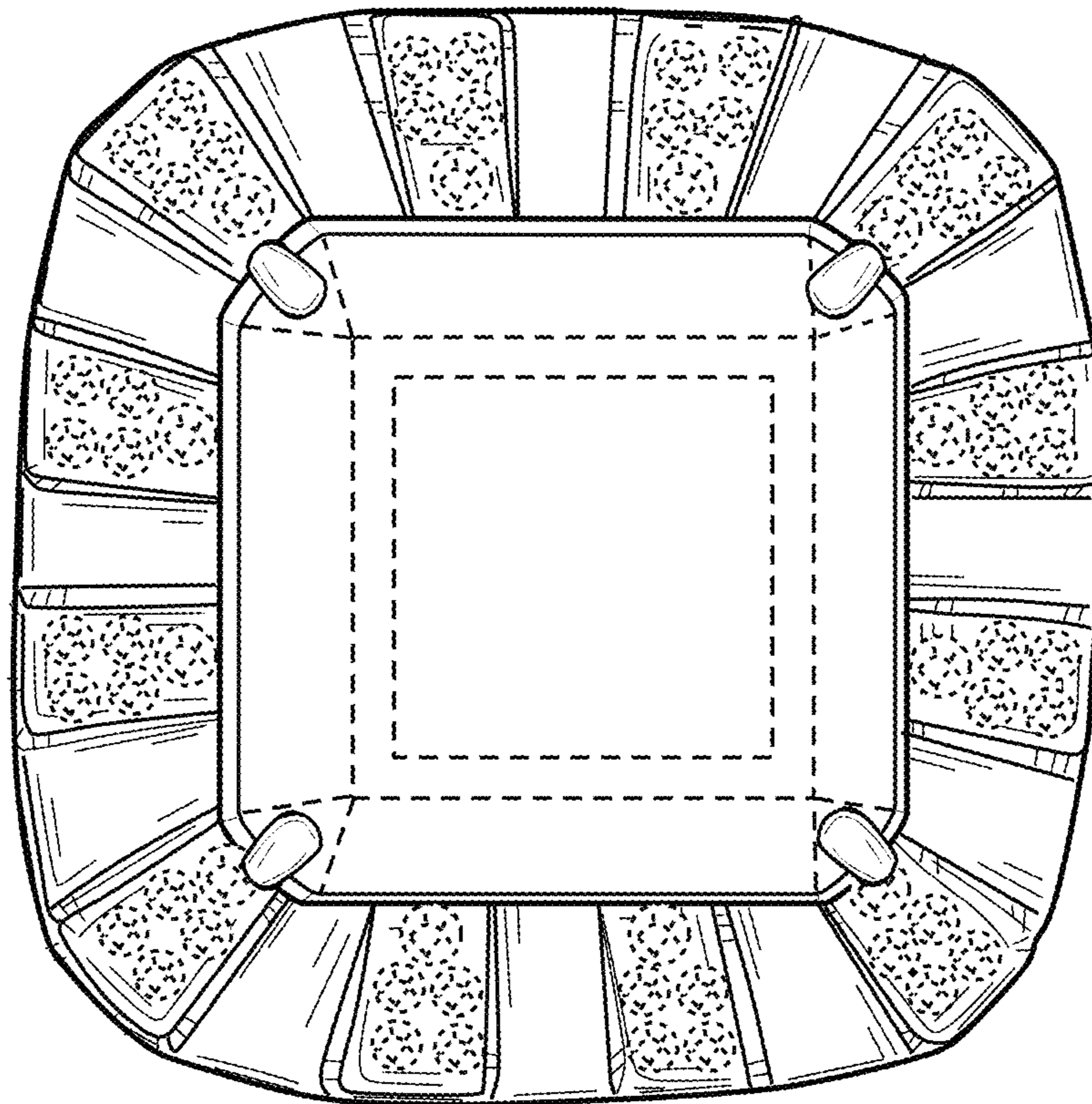


FIG. 7

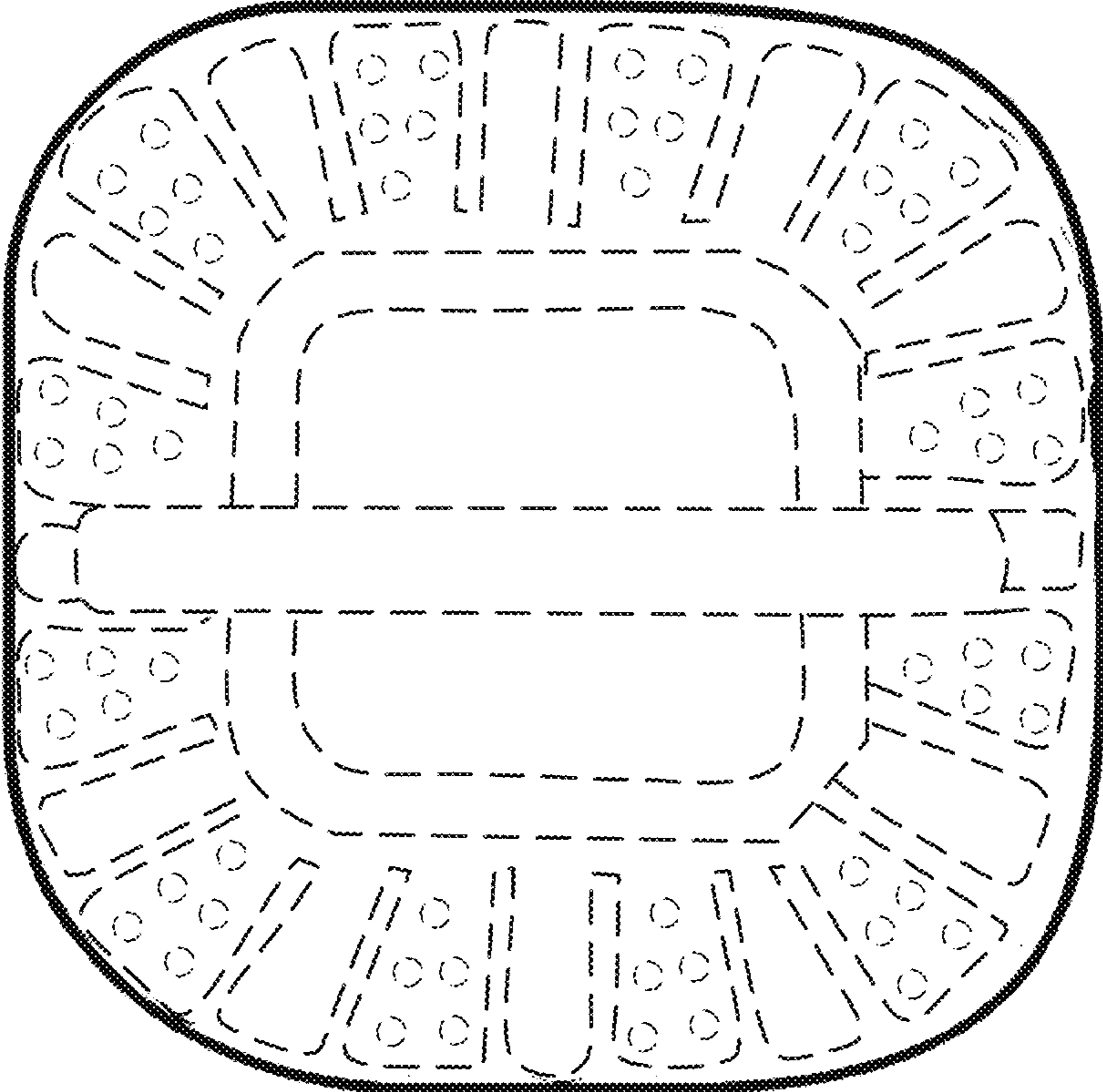


FIG. 8

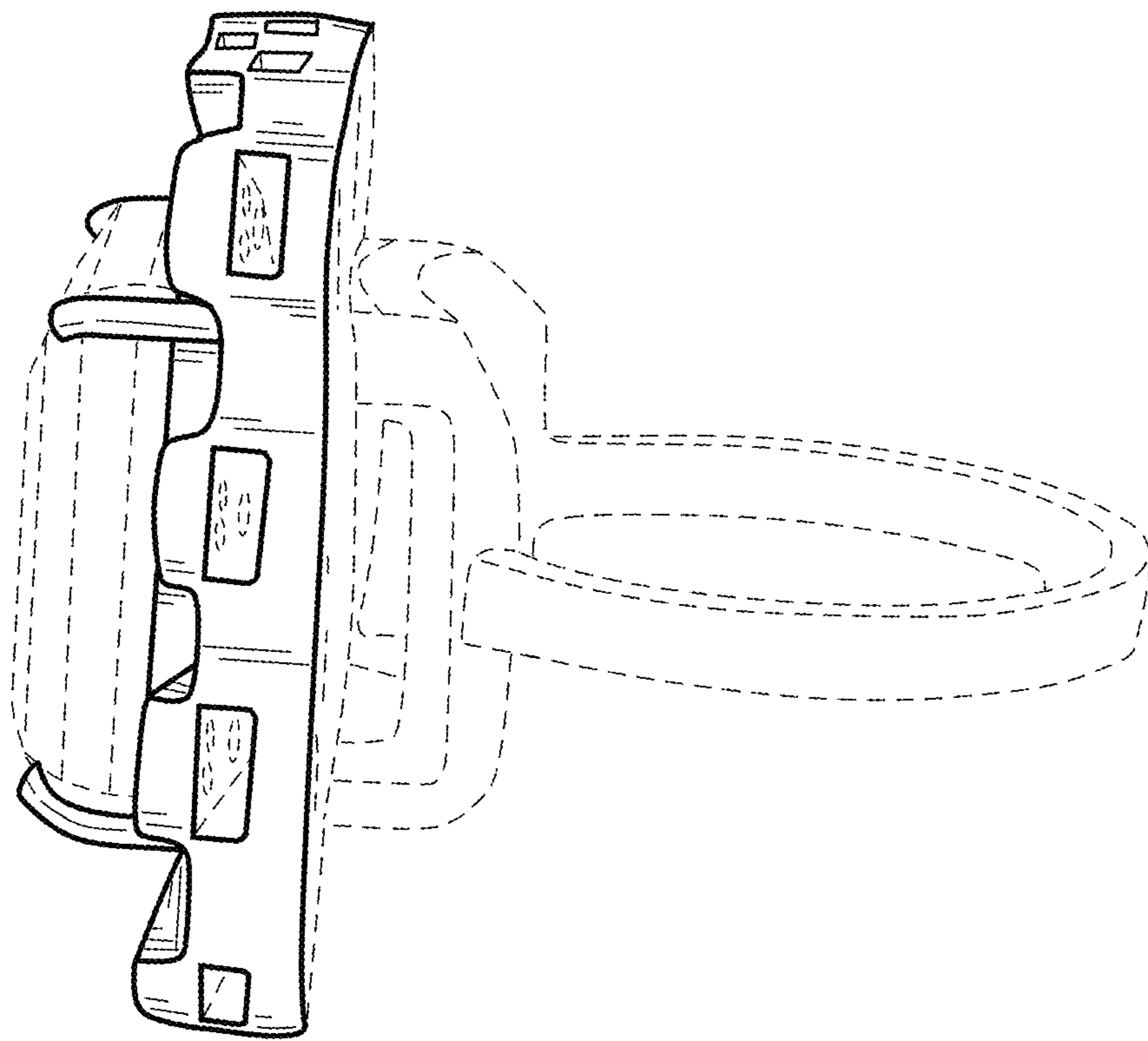


FIG. 9

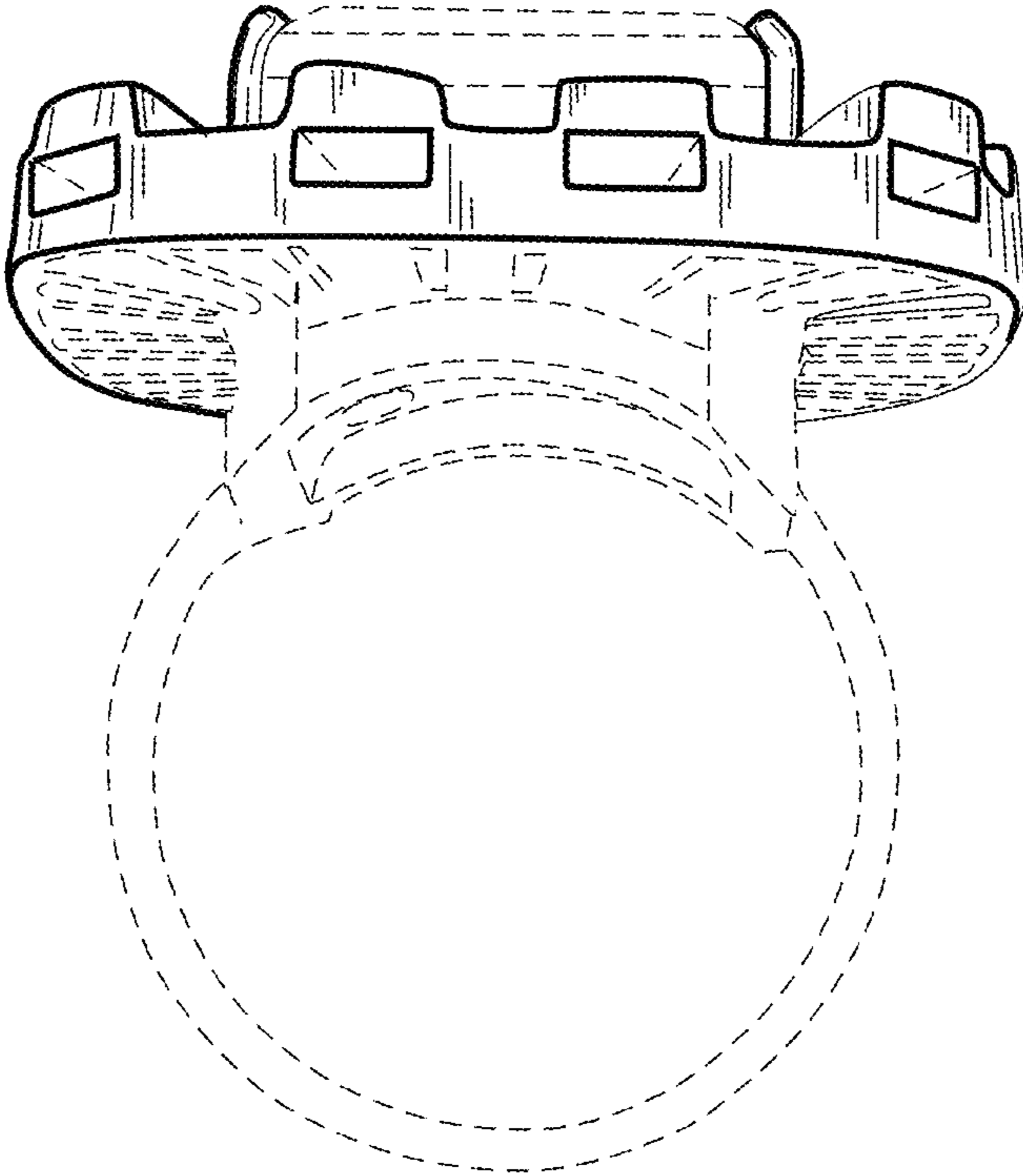


FIG. 10

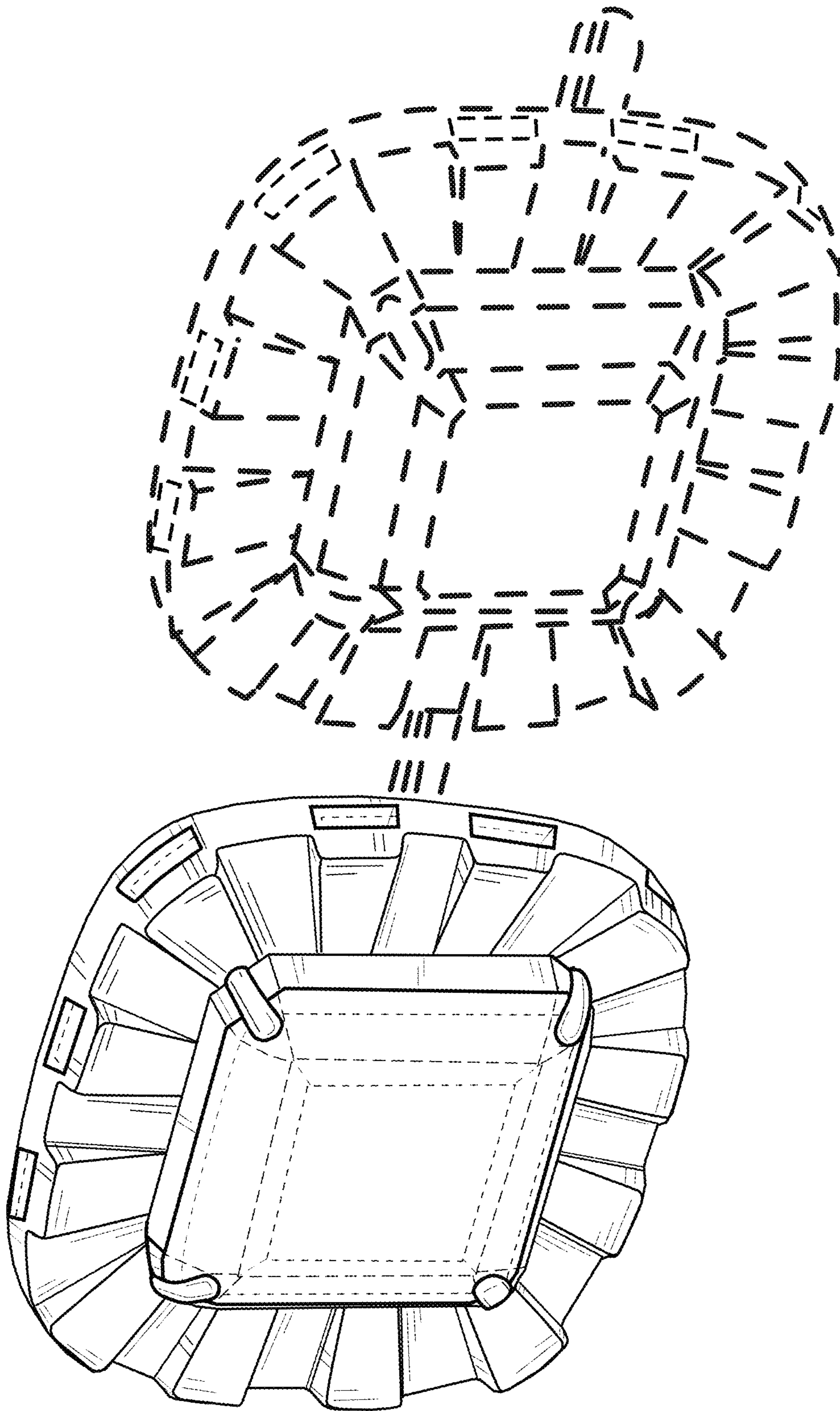


FIG. 11

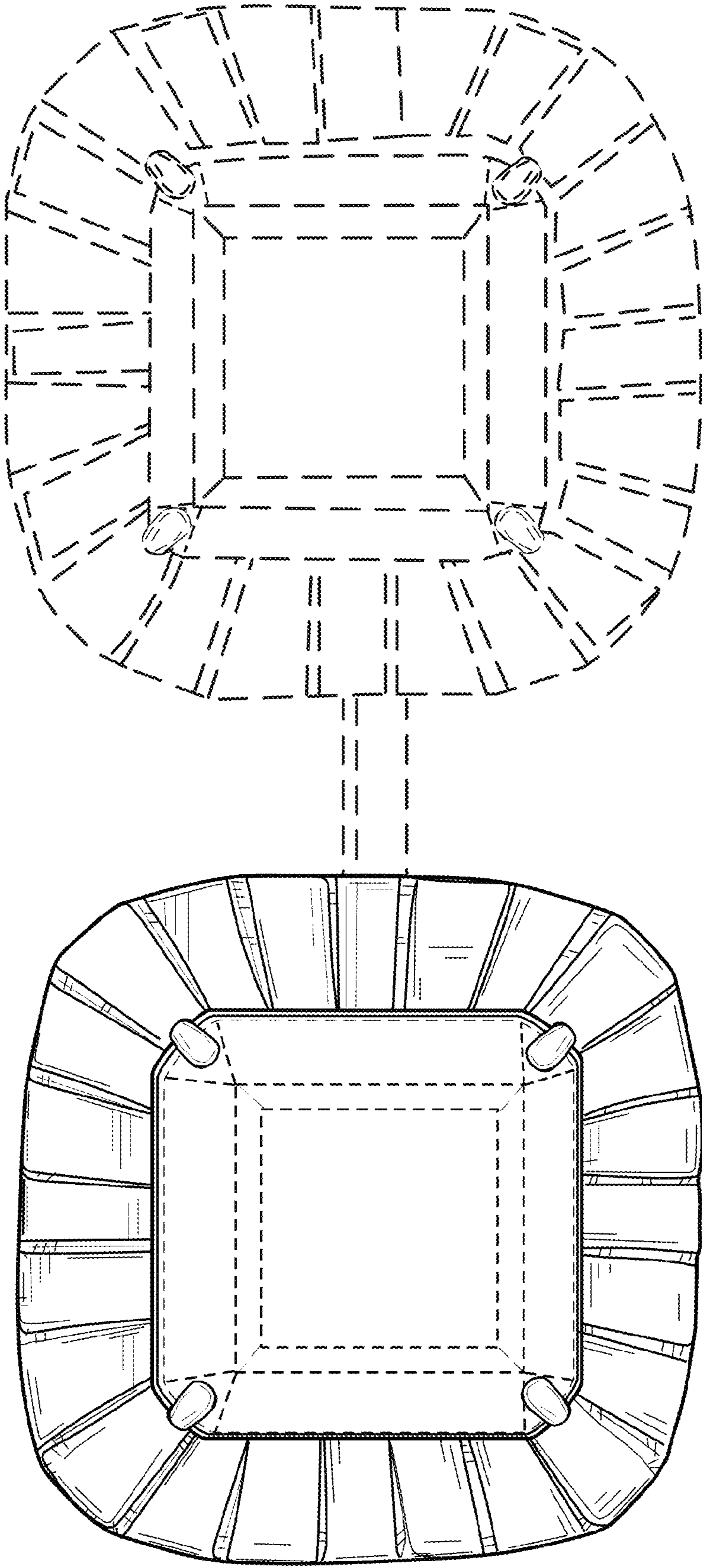


FIG. 12

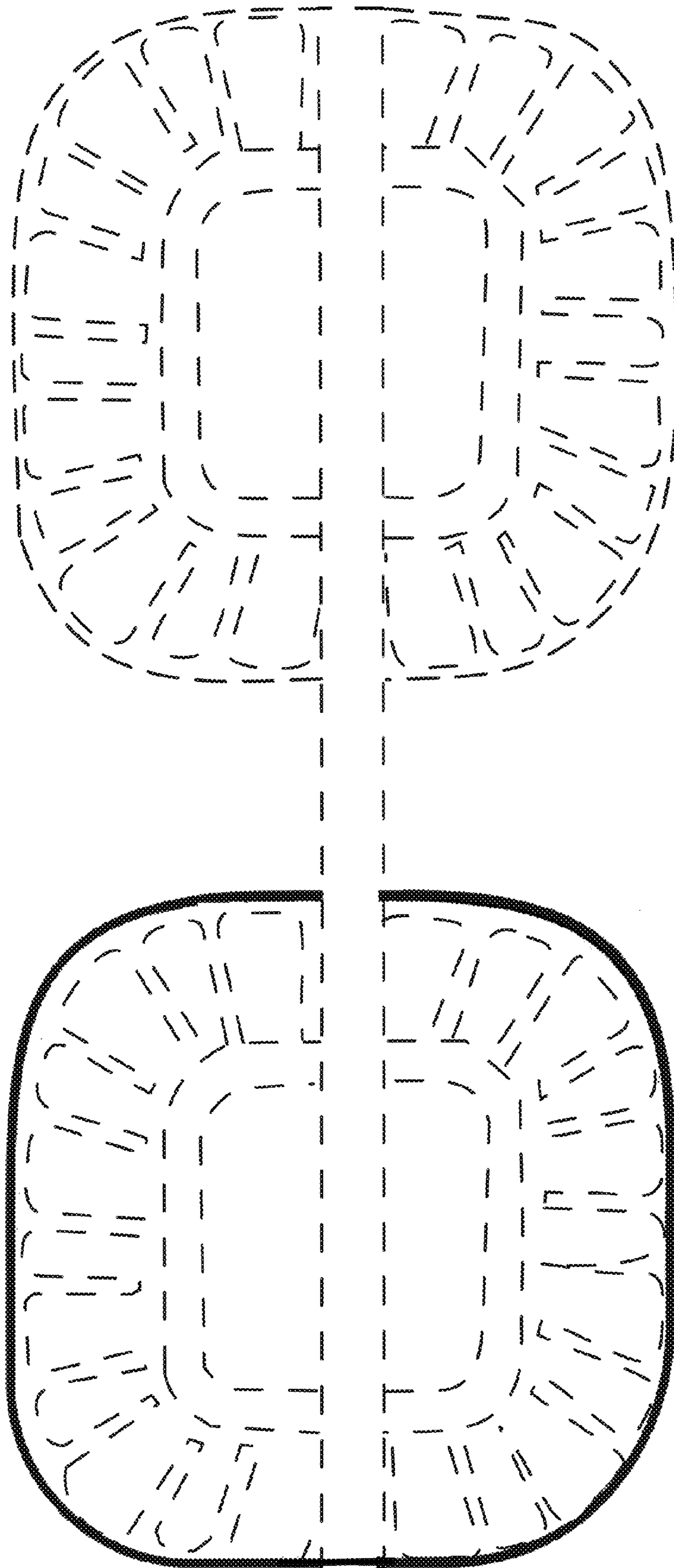


FIG. 13

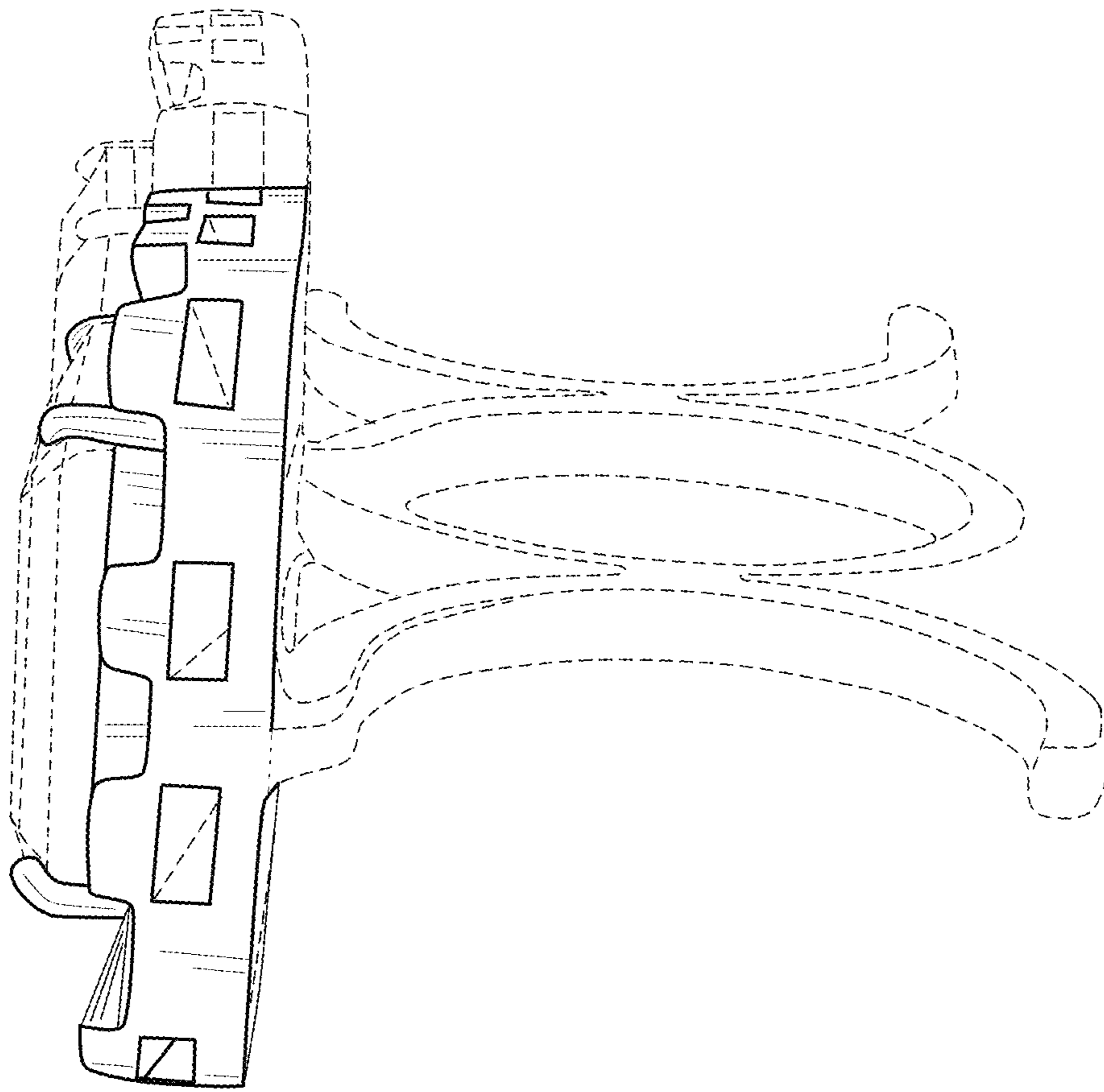


FIG. 14

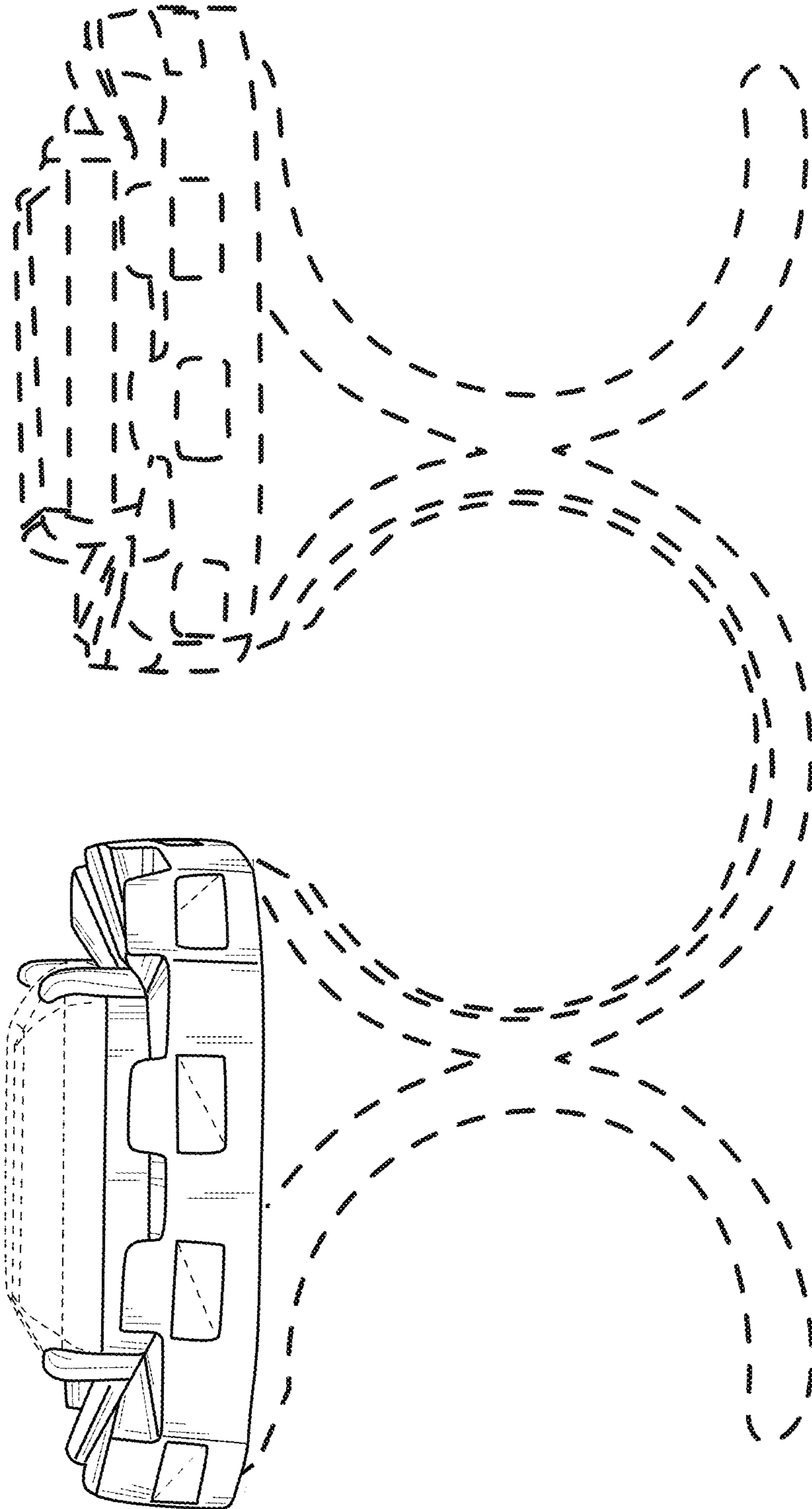


FIG. 15