

US00D751937S

(12) **United States Design Patent**  
**Treadwell et al.**

(10) **Patent No.:** **US D751,937 S**  
(45) **Date of Patent:** **\*\* Mar. 22, 2016**

(54) **SENSOR**

(71) Applicants: **Simon Treadwell**, Toronto (CA);  
**Sabolch Feigler**, Mississauga (CA);  
**Marc Hoffknecht**, Newmarket (CA)

(72) Inventors: **Simon Treadwell**, Toronto (CA);  
**Sabolch Feigler**, Mississauga (CA);  
**Marc Hoffknecht**, Newmarket (CA)

(73) Assignee: **OSRAM SYLVANIA Inc.**, Wilmington,  
MA (US)

(\*\*) Term: **14 Years**

(21) Appl. No.: **29/512,455**

(22) Filed: **Dec. 18, 2014**

**Related U.S. Application Data**

(62) Division of application No. 29/486,431, filed on Mar.  
28, 2014, now Pat. No. Des. 723,961.

(51) **LOC (10) Cl.** ..... **10-05**

(52) **U.S. Cl.**  
USPC ..... **D10/106.6**

(58) **Field of Classification Search**  
USPC ..... D10/106.6, 104.1, 106.5, 70; D16/203  
CPC ..... A63H 33/28  
See application file for complete search history.

(56) **References Cited**

**U.S. PATENT DOCUMENTS**

D374,189 S \* 10/1996 Hubben ..... D10/106.6  
5,620,351 A \* 4/1997 Ho ..... A63H 33/28  
446/15  
D416,273 S \* 11/1999 Yamakawa ..... D16/203

D552,501 S \* 10/2007 Lin ..... D10/104.1  
D653,575 S \* 2/2012 Treharne ..... D10/106.5  
D662,846 S \* 7/2012 Ni ..... D10/106.6  
D664,456 S \* 7/2012 Trine ..... D10/70  
D678,097 S \* 3/2013 Elwell ..... D10/106.6  
D723,961 S \* 3/2015 Treadwell ..... D10/106.5

\* cited by examiner

*Primary Examiner* — George D Kirschbaum

(74) *Attorney, Agent, or Firm* — Shaun P. Montana

(57) **CLAIM**

The ornamental design for a sensor, as shown and described.

**DESCRIPTION**

The present application is also related to co-pending U.S. Design patent application Ser. No. 29/512,453, entitled "Sensor", and to co-pending U.S. Design patent application Ser. No. 29/512,454, entitled "Sensor", filed simultaneously herewith, which are each also divisional applications of U.S. Design patent application Ser. No. 29/486,431, now U.S. Pat. No. D723,961.

FIG. 1 is a perspective view of an embodiment of the ornamental design of a sensor.

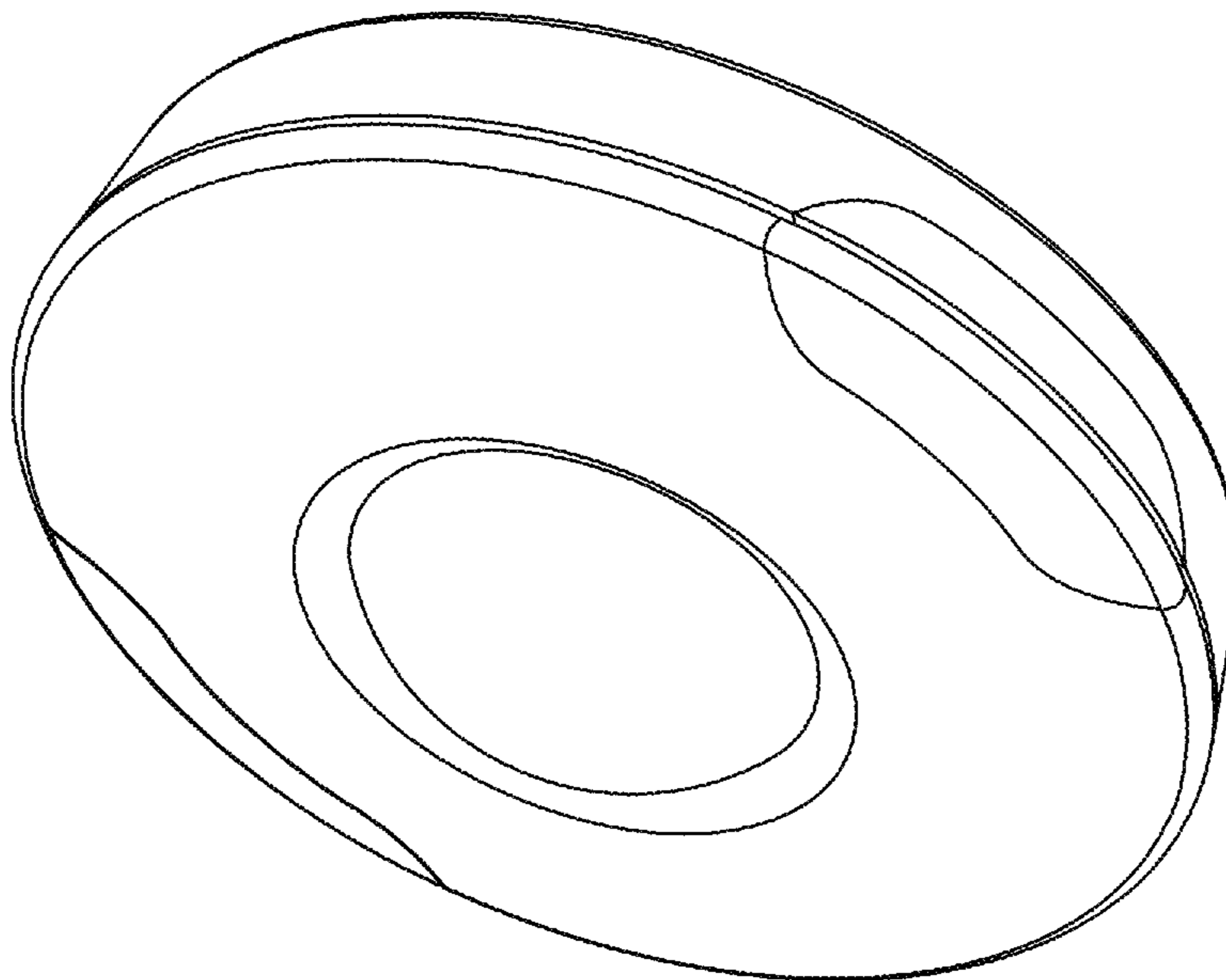
FIG. 2 is a bottom view of an embodiment of the ornamental design of the sensor of FIG. 1.

FIG. 3 is a top view of an embodiment of the ornamental design of the sensor of FIG. 1.

FIG. 4 is a side view of an embodiment of the ornamental design of the sensor of FIG. 1; and,

FIG. 5 is a front/back view of an embodiment of the ornamental design of the sensor of FIG. 1.

**1 Claim, 4 Drawing Sheets**



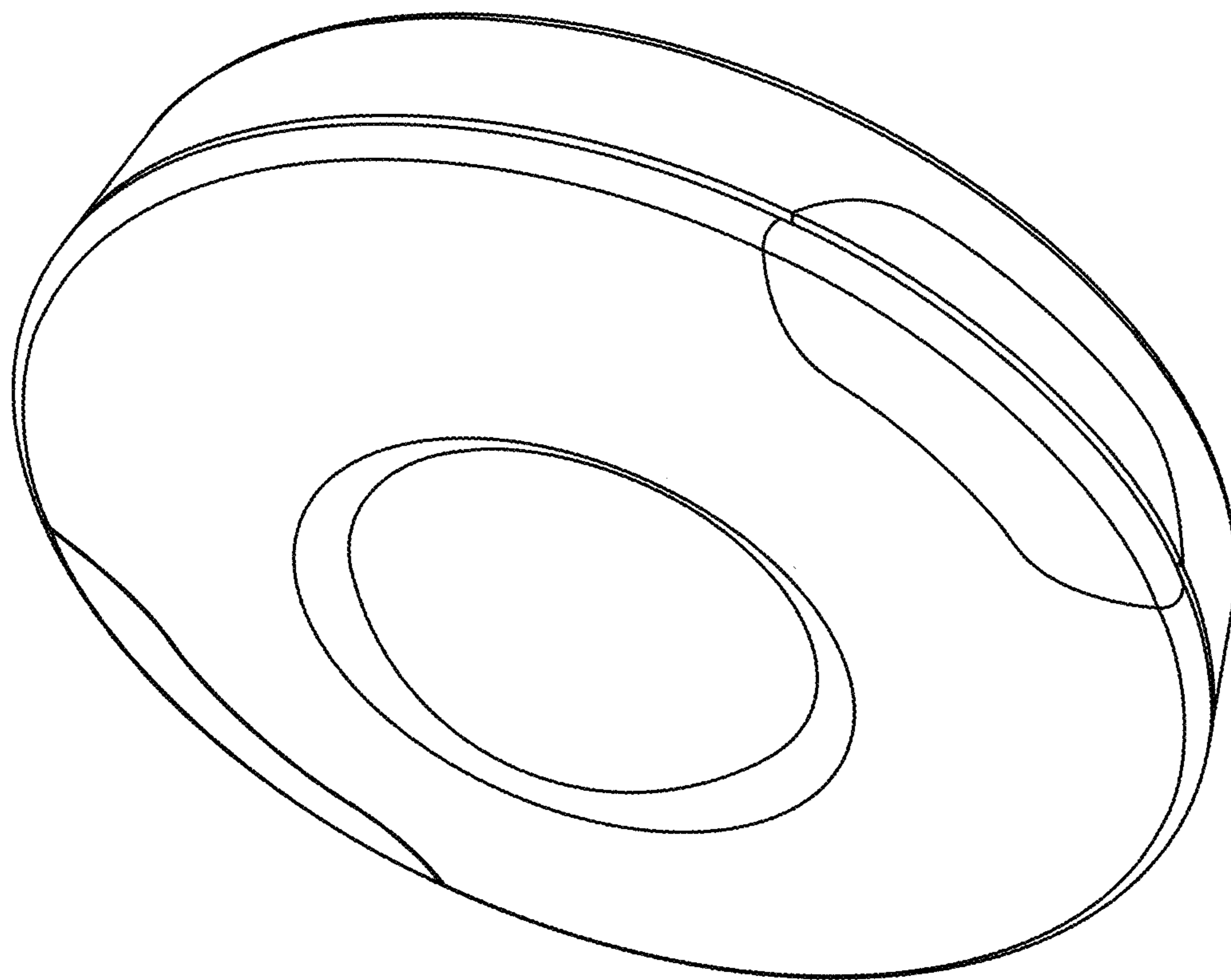


FIG. 1

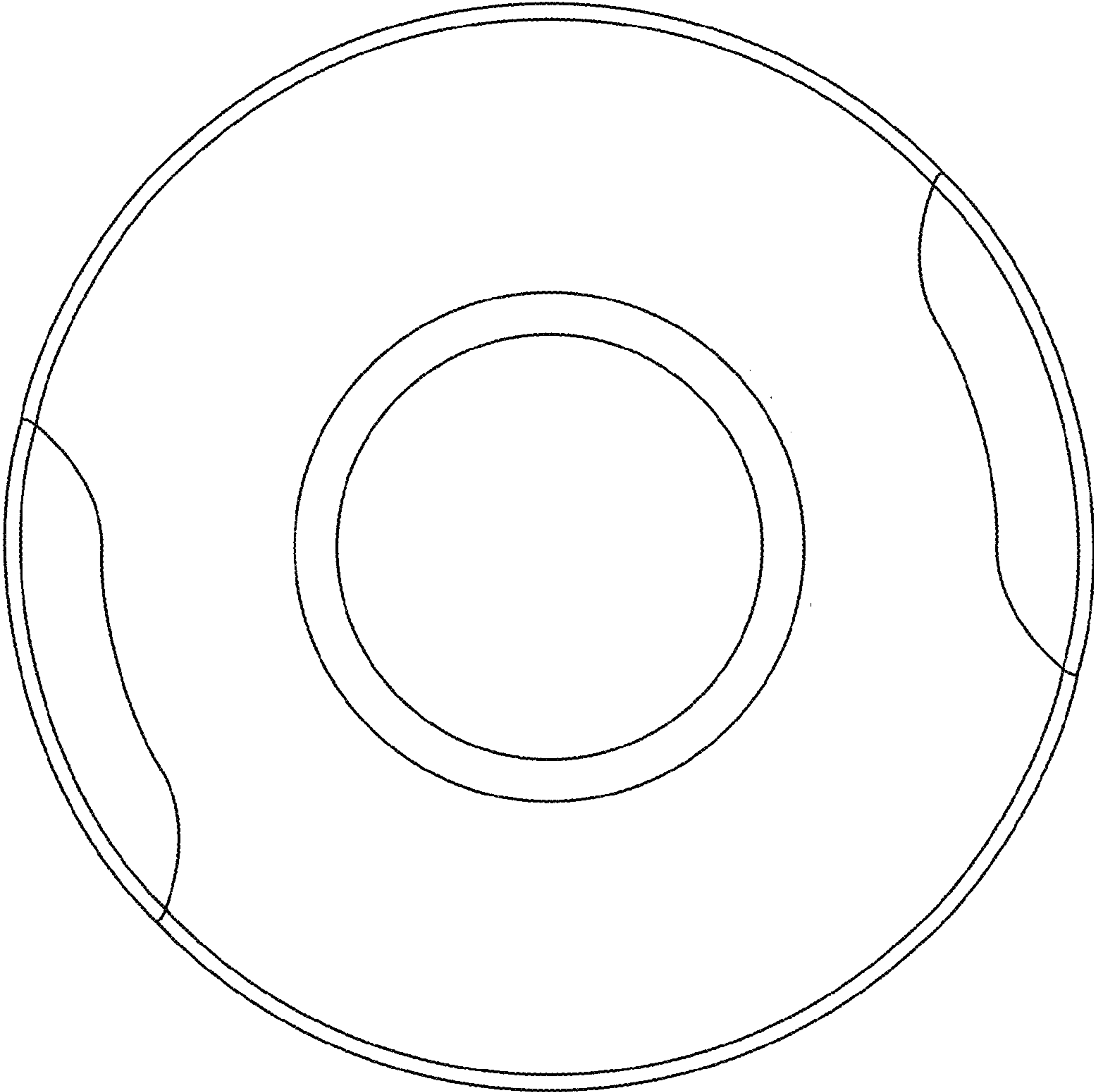


FIG. 2

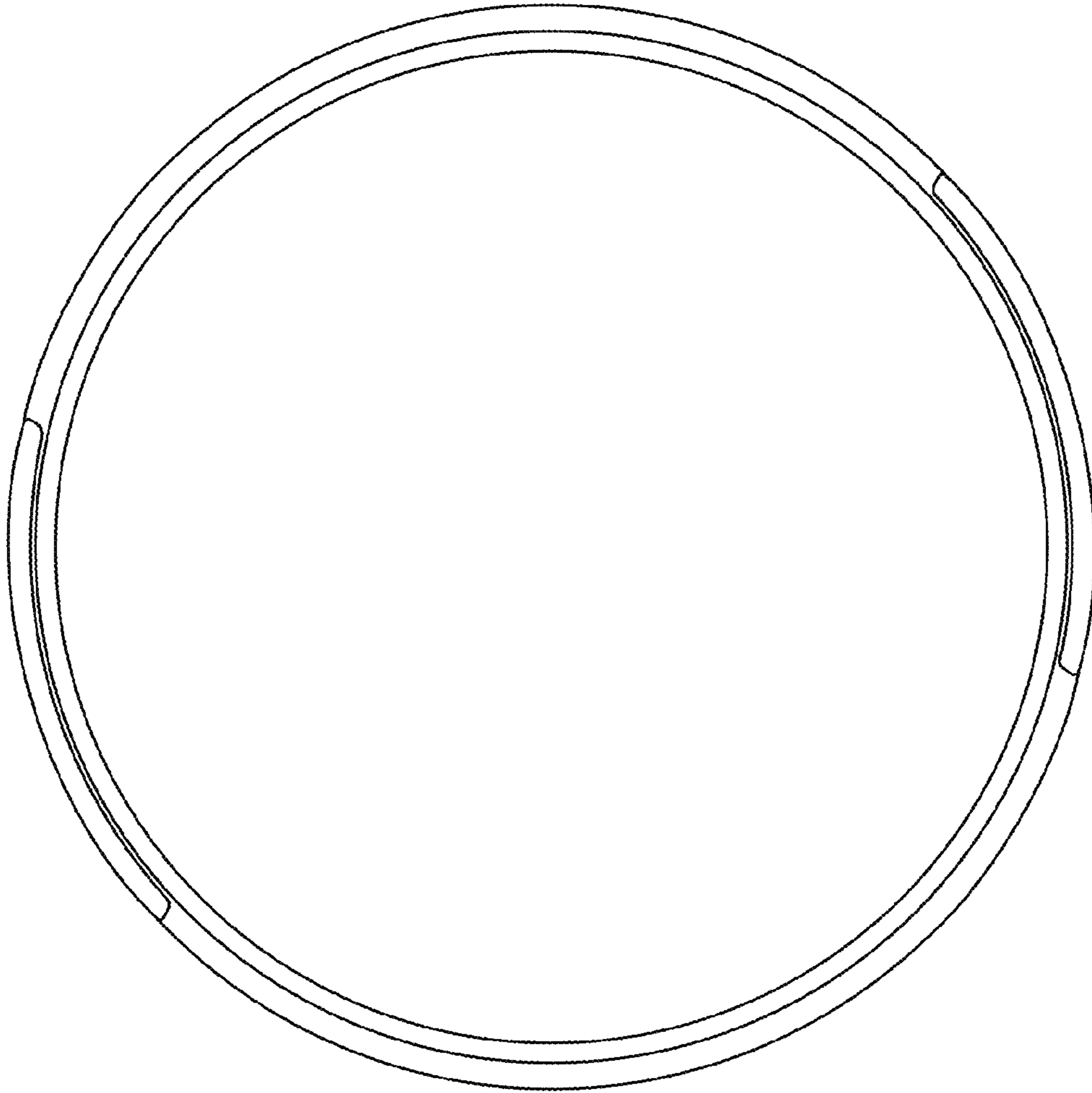


FIG. 3

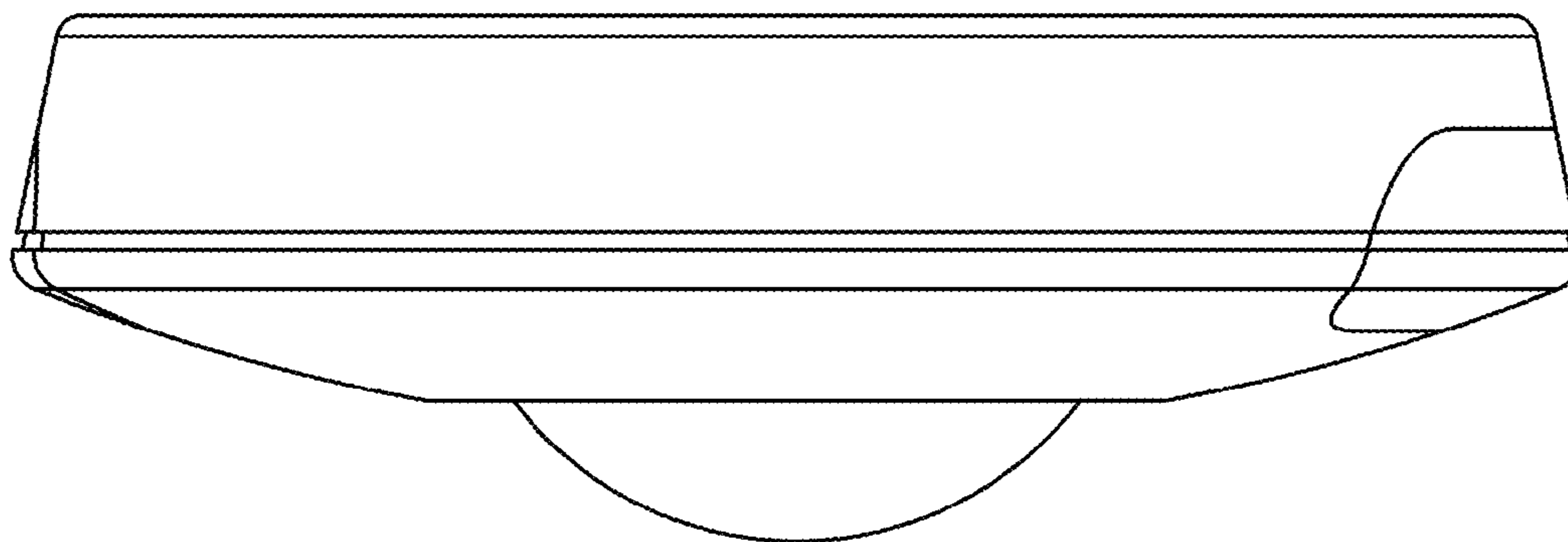


FIG. 4

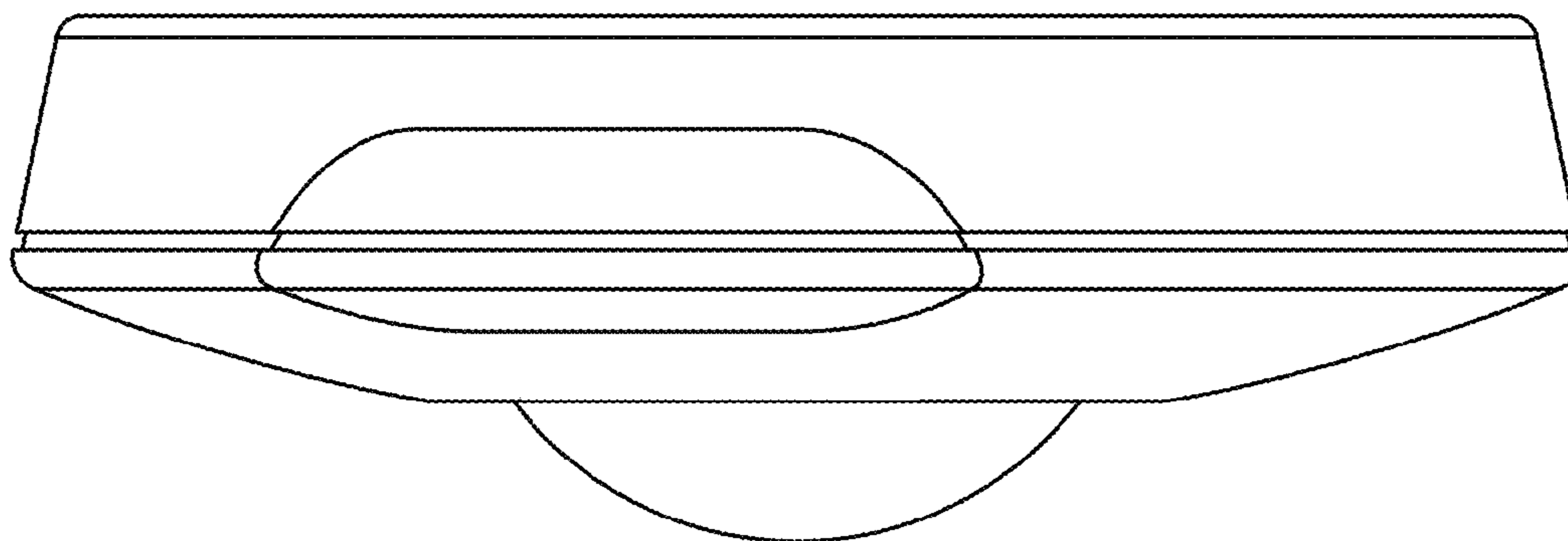


FIG. 5