



US00D751934S

(12) **United States Design Patent**
Rodda

(10) **Patent No.:** **US D751,934 S**
(45) **Date of Patent:** **** *Mar. 22, 2016**

- (54) **WRIST METER-MOUNT SYSTEM**
- (71) Applicant: **Patrick Rodda**, Tucson, AZ (US)
- (72) Inventor: **Patrick Rodda**, Tucson, AZ (US)
- (73) Assignee: **Meterist LLC**, Tucson, AZ (US)
- (*) Notice: This patent is subject to a terminal disclaimer.
- (**) Term: **14 Years**
- (21) Appl. No.: **29/461,562**
- (22) Filed: **Jul. 24, 2013**
- (51) **LOC (10) Cl.** **10-04**
- (52) **U.S. Cl.**
USPC **D10/80; D10/103**
- (58) **Field of Classification Search**
USPC D10/70, 78, 80, 103; 24/66.1, 303, 688;
73/866.5; 292/251.5; 368/281;
439/37-40
CPC E05C 19/16; G01R 1/02; G01R 1/04;
G01R 1/067; G01R 1/06788
See application file for complete search history.

- 2012/0051193 A1 3/2012 Yu
- 2012/0101602 A1 4/2012 Andren et al.
- 2013/0151699 A1 6/2013 Vock et al.

* cited by examiner

Primary Examiner — Antoine D Davis

(74) *Attorney, Agent, or Firm* — Invention To Patent Services; Alex R. Hobson

(57) **CLAIM**

The ornamental design for a wrist meter-mount system, as shown and described.

DESCRIPTION

FIG. 1 is a perspective view of a wrist meter-mount system with a meter mount portion and a wrist mount portion;
 FIG. 2 is a perspective view of a meter mount portion;
 FIG. 3 is a perspective view of a meter mount portion attached to a meter;
 FIG. 4 is a perspective view of a wrist mount portion having a cantilevered base in an inclined position;
 FIG. 5 is a top-down view of a wrist meter-mount system with a meter attached thereto;
 FIG. 6 is a perspective view of a wrist meter-mount system with the meter mount portion attached to the wrist mount portion having a cantilevered base in an inclined position; and,
 FIG. 7 is a perspective view of a wrist meter-mount system with the meter mount portion attached to the wrist mount portion having a cantilevered base in a down position.

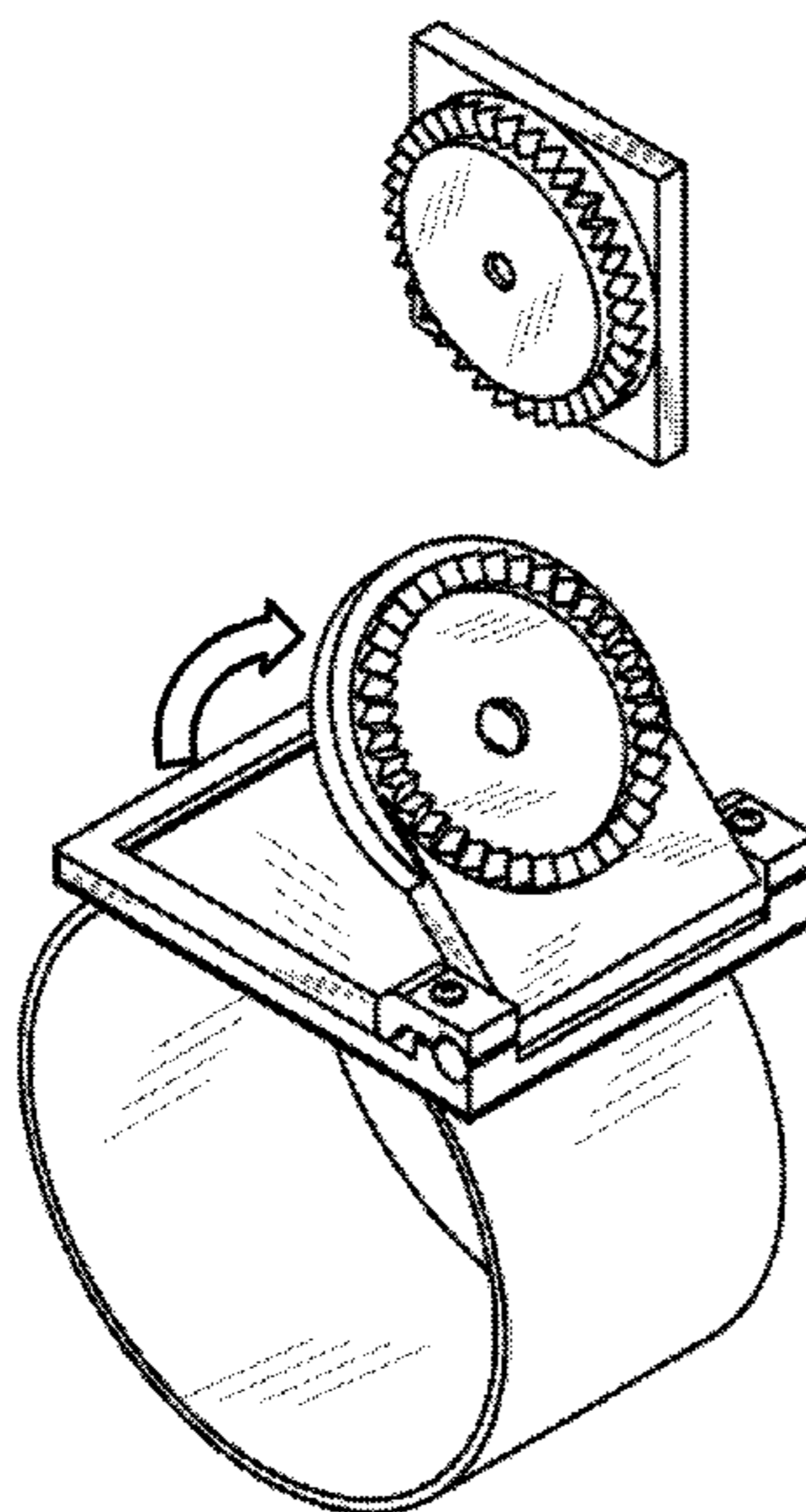
The wrist meter-mount system comprises a meter mount portion comprising a first plurality of engagement teeth around a first magnetic coupler, a wrist mount portion comprising a second plurality of engagement teeth around a second magnetic coupler, a cantilevered base, and a wrist strap. The meter shown in FIGS. 3 and 5 is shown in broken lines for the purposes of illustrating environmental structure and forms no part of the claimed invention.

(56) **References Cited**

U.S. PATENT DOCUMENTS

- 4,453,294 A 6/1984 Morita
- 5,004,425 A 4/1991 Hee
- 5,117,444 A 5/1992 Sutton
- 5,781,511 A 7/1998 Yasukawa et al.
- 5,986,446 A 11/1999 Williamson
- 6,940,270 B2 9/2005 Chen
- D510,287 S * 10/2005 Chen et al. D10/78
- 7,333,914 B1 2/2008 Iachini
- 7,396,235 B2 * 7/2008 De Wilde et al. 439/39
- 7,609,503 B2 * 10/2009 Hee 361/220
- 2011/0224564 A1 9/2011 Moon et al.

1 Claim, 6 Drawing Sheets



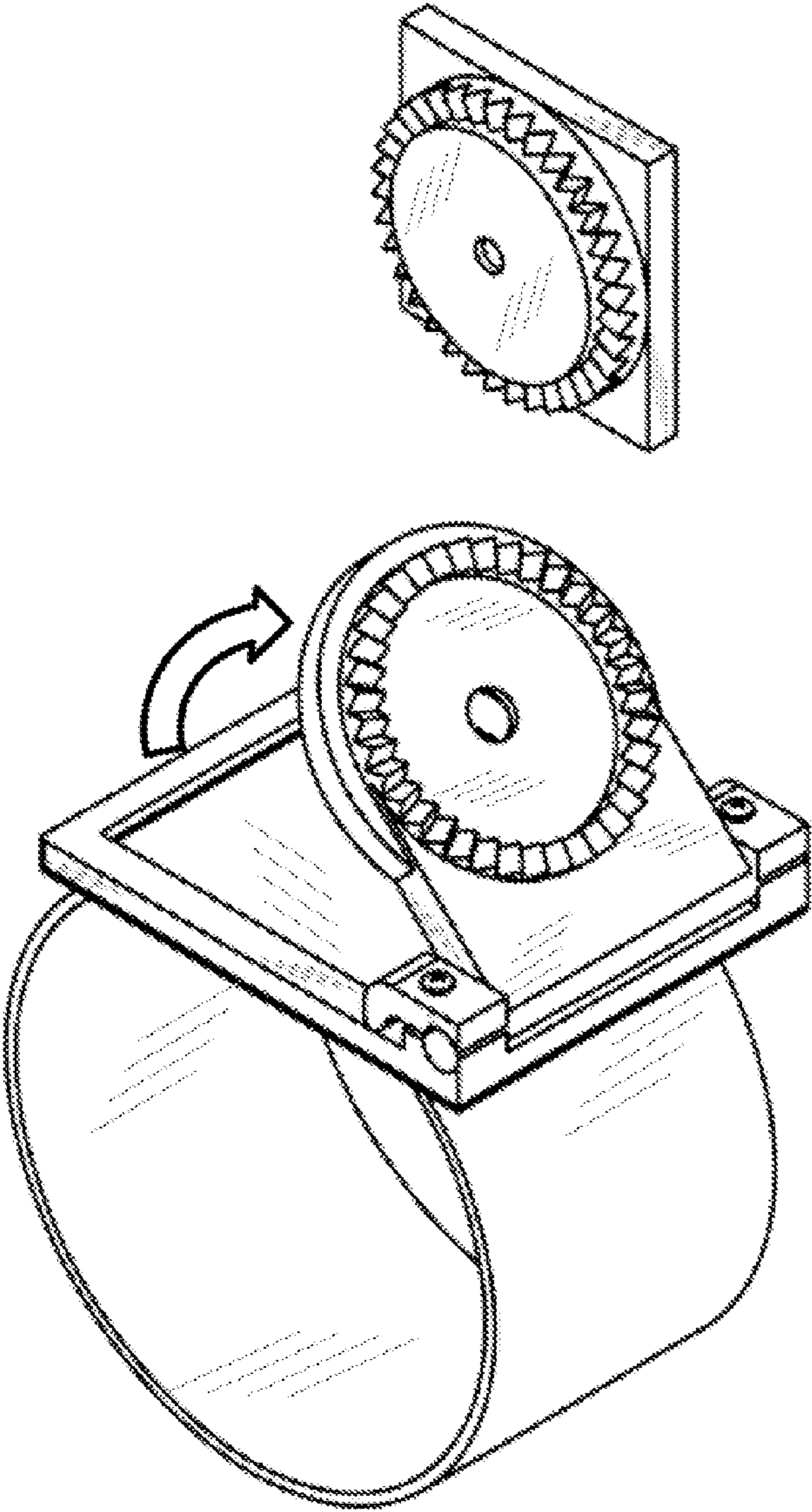


FIG. 1

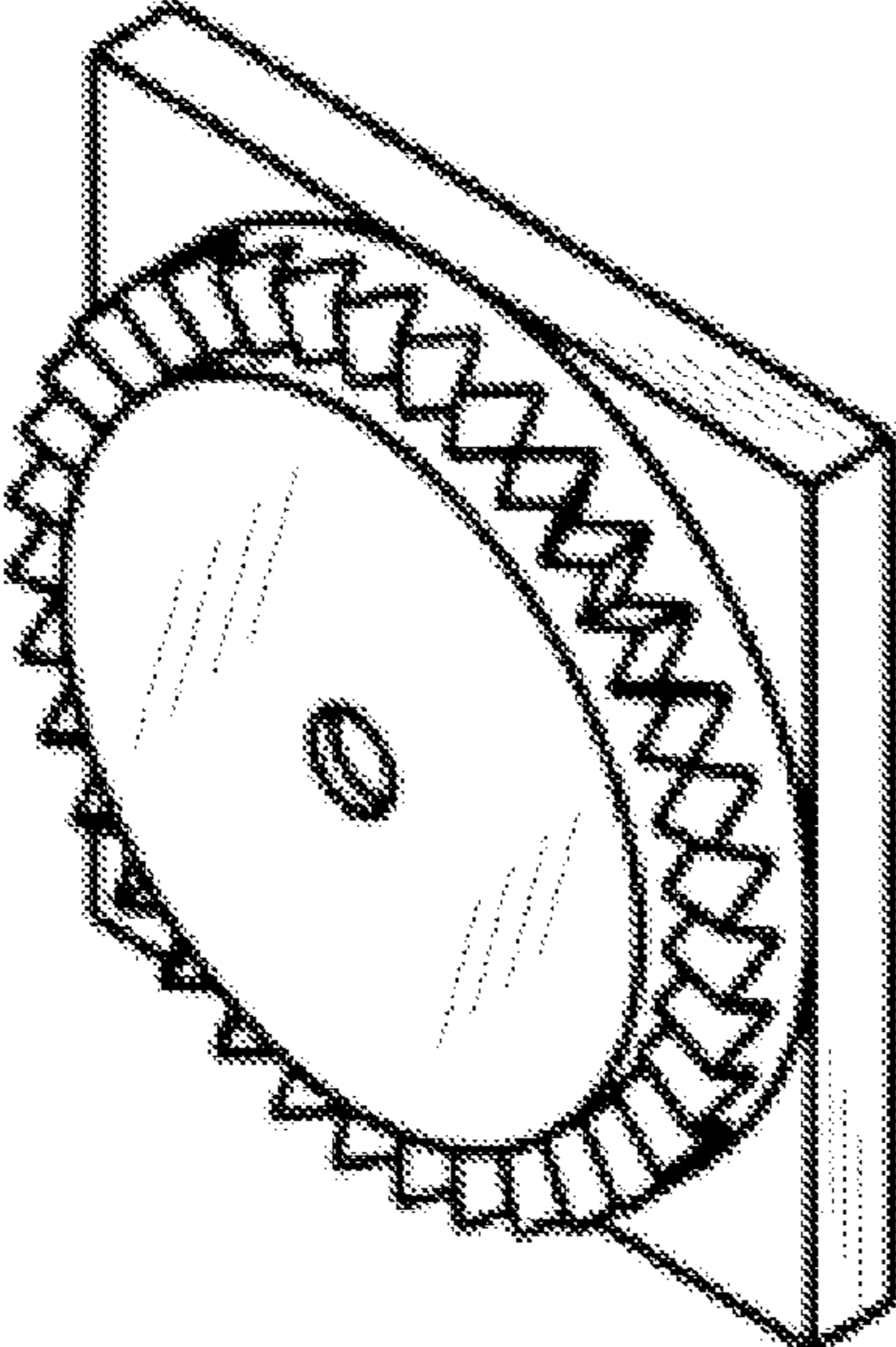


FIG. 2

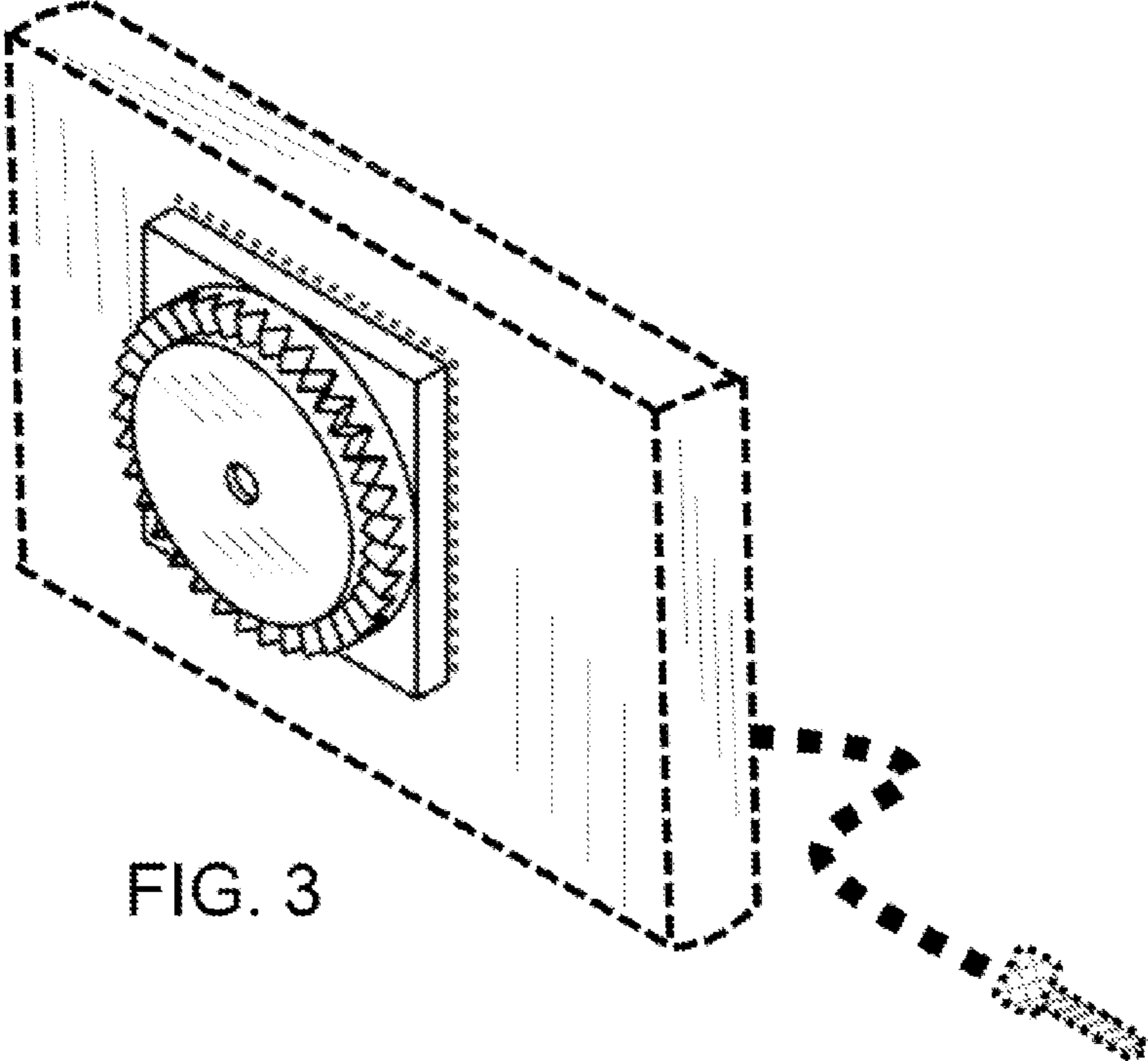


FIG. 3

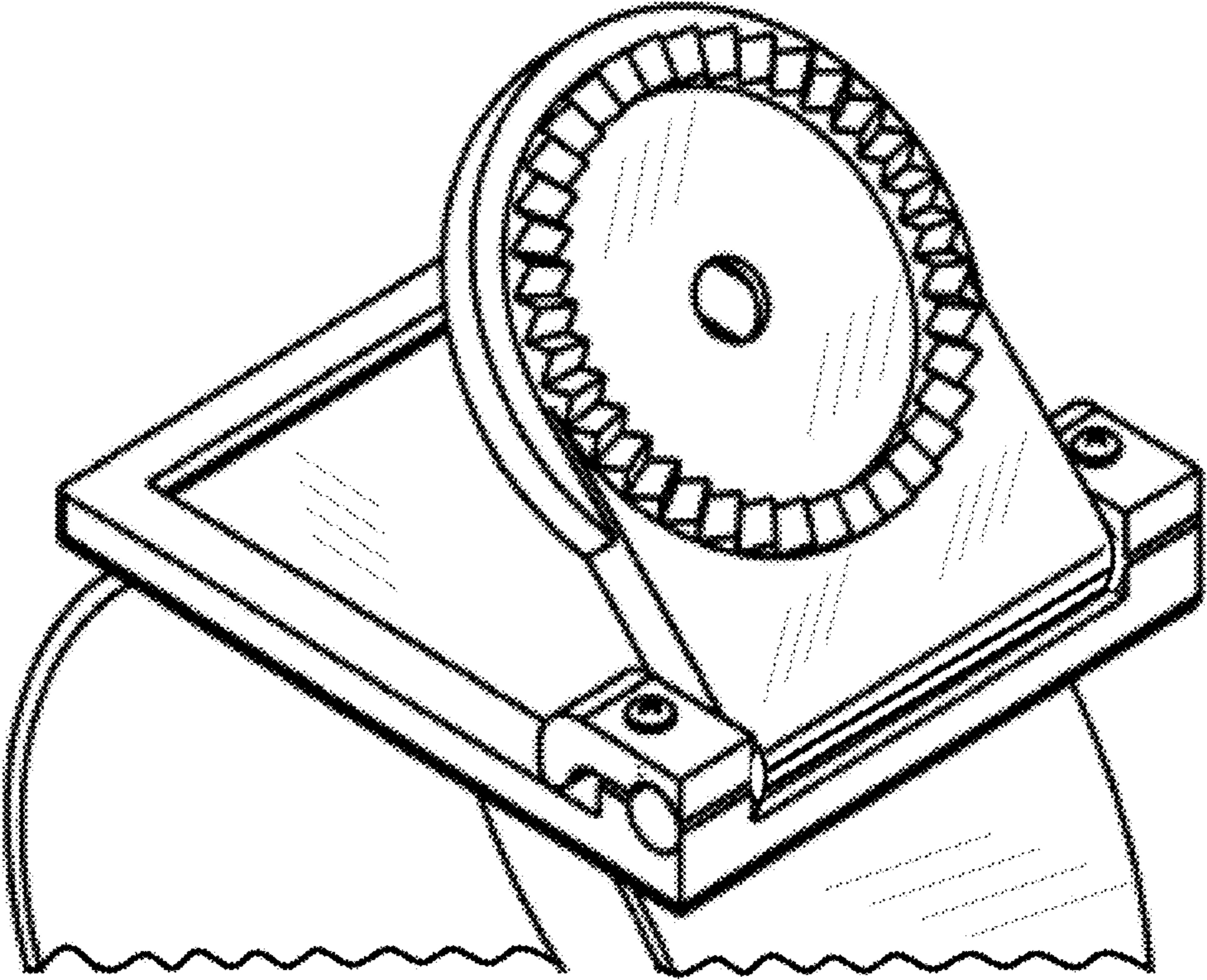


FIG. 4

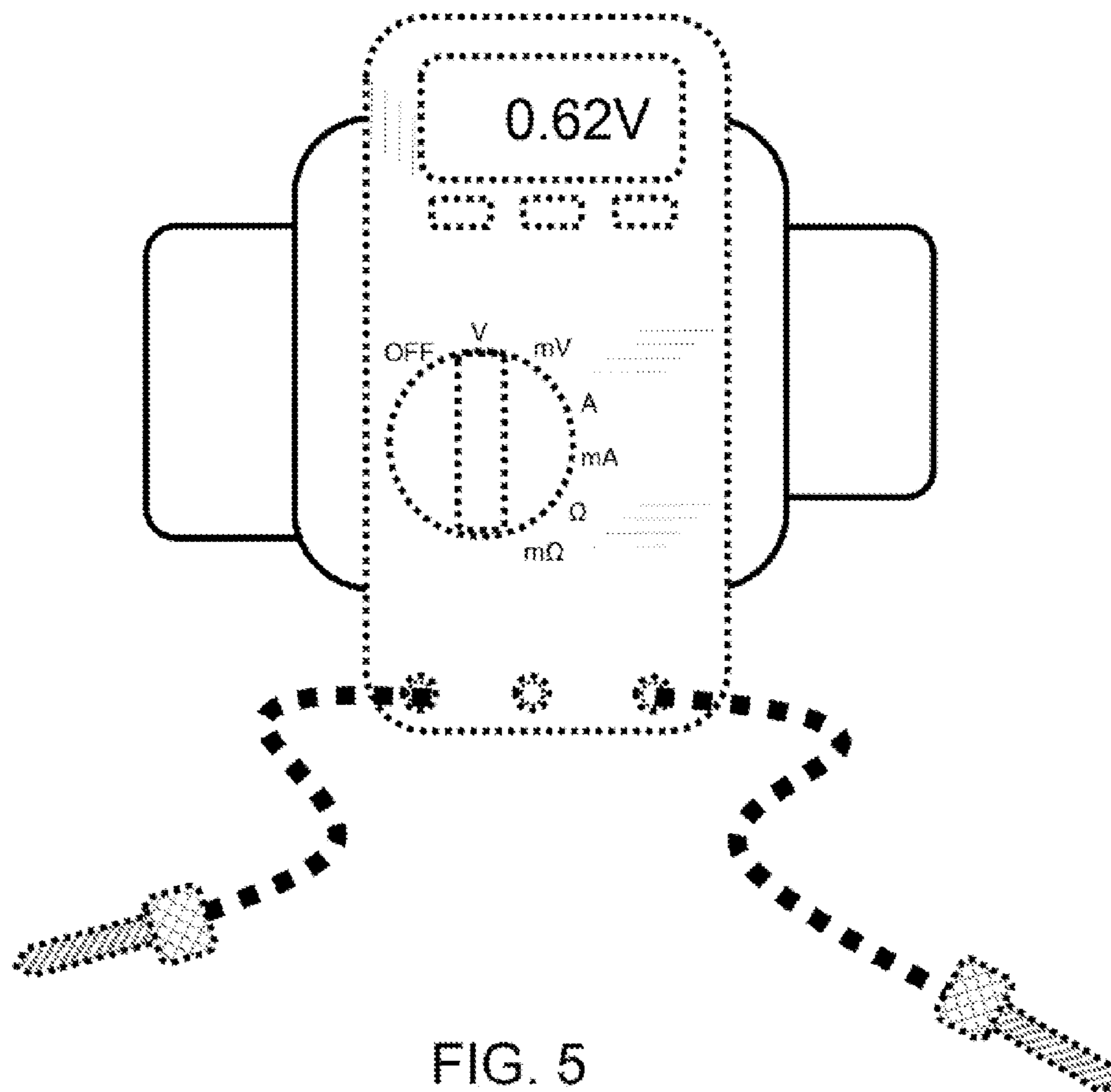


FIG. 5

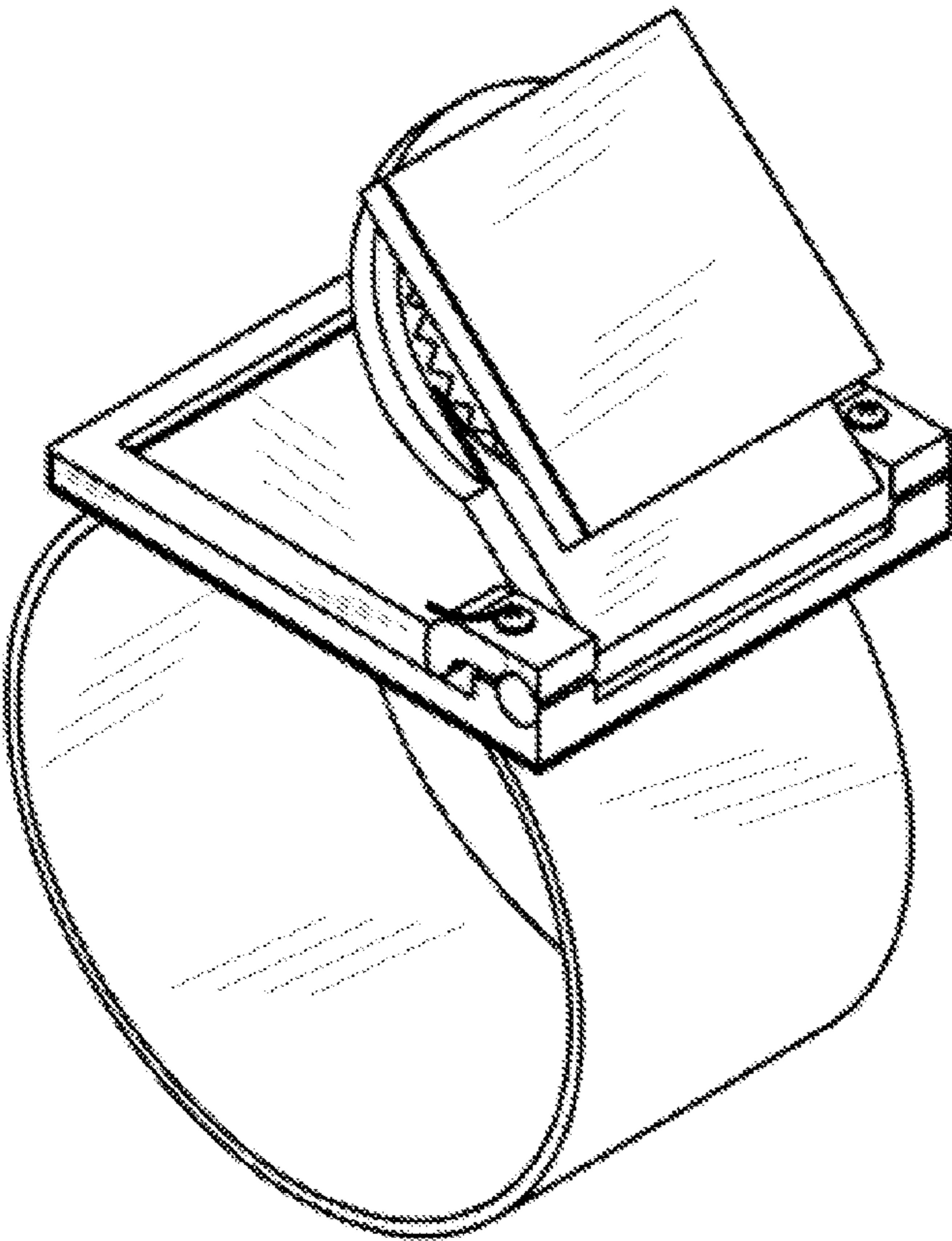


FIG. 6

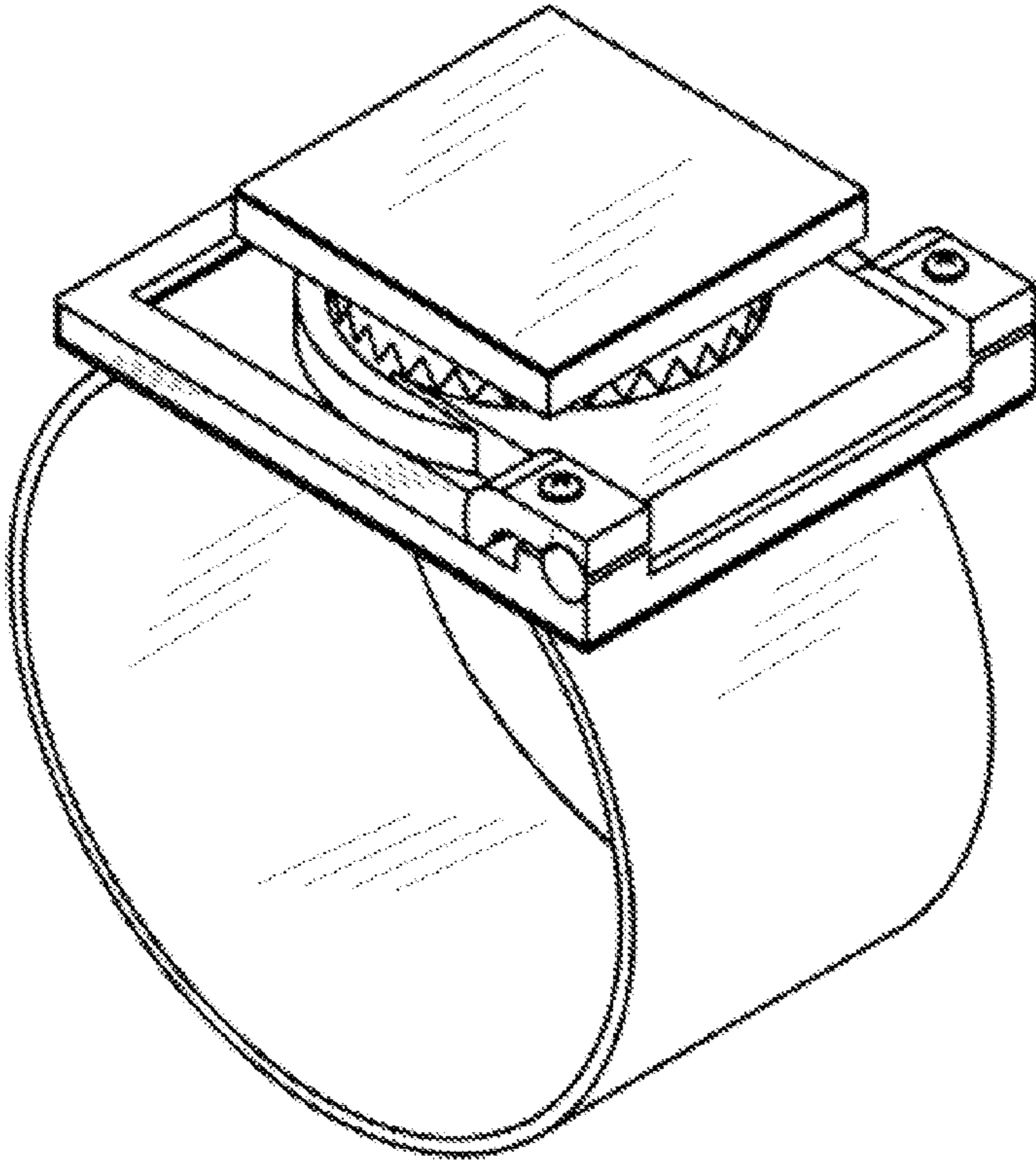


FIG. 7