



US00D751928S

(12) **United States Design Patent**
Shaanan et al.

(10) **Patent No.:** **US D751,928 S**
(45) **Date of Patent:** **** Mar. 22, 2016**

(54) **WRIST DISPLAY**

(56) **References Cited**

(71) Applicant: **QUALCOMM Incorporated**, San Diego, CA (US)

U.S. PATENT DOCUMENTS

(72) Inventors: **Gad Shaanan**, San Diego, CA (US);
Inhoe Kim, San Diego, CA (US); **Paul E. Jacobs**, La Jolla, CA (US); **Marc D. Goldman**, San Diego, CA (US);
Aleksandr Manulis, San Diego, CA (US)

D212,640	S	*	11/1968	Bollier	D11/3
5,838,643	A	*	11/1998	Reiner	368/223
6,678,535	B1	*	1/2004	Narayanaswami	455/557
D528,928	S	*	9/2006	Burton	D10/38
D589,375	S	*	3/2009	Tang	D10/32
D621,808	S	*	8/2010	Kim	D14/138 R
D628,931	S	*	12/2010	Maier	D11/3
D667,126	S	*	9/2012	Cho et al.	D24/186
8,301,211	B2	*	10/2012	Lee et al.	455/575.6
D672,255	S	*	12/2012	Zanella et al.	D10/32
D674,488	S	*	1/2013	McKay et al.	D24/167
8,380,258	B2	*	2/2013	Kim et al.	455/575.1
D709,401	S	*	7/2014	Arostini et al.	D11/3
2009/0156255	A1	*	6/2009	Shin et al.	455/558
2011/0059771	A1	*	3/2011	Kondo	455/556.2
2012/0041278	A1	*	2/2012	Sadhu	600/301

(73) Assignee: **QUALCOMM Incorporated**, San Diego, CA (US)

(**) Term: **14 Years**

* cited by examiner

(21) Appl. No.: **29/455,546**

Primary Examiner — Martie K Holtje

(22) Filed: **May 21, 2013**

(57) **CLAIM**

The ornamental design for a wrist display, as shown and described.

(51) **LOC (10) Cl.** **10-02**

DESCRIPTION

(52) **U.S. Cl.**

USPC **D10/38**; D14/344

(58) **Field of Classification Search**

USPC D10/30-39, 1-29, 122-132; D14/138 R,
D14/344; D11/3; D24/167

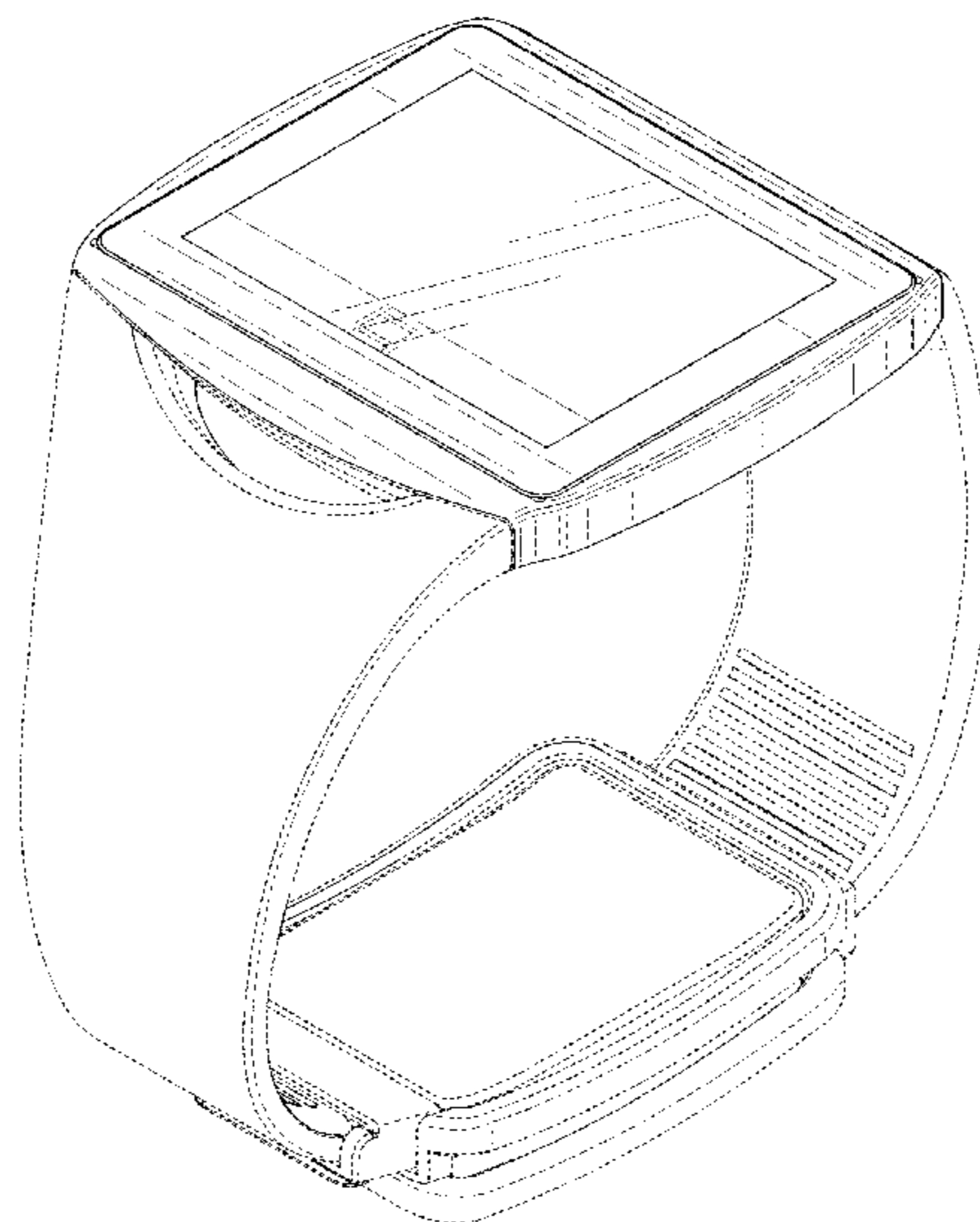
CPC G04B 37/00; G04B 37/0008; G04B 37/08;
G04B 19/00; G04B 45/00; G04B 47/00;
G04B 47/06; G04C 3/00; G04C 3/001;
G04G 9/00; G04G 9/0017; G04G 9/02;
G04G 9/087; G04G 9/107

FIG. 1 is a top, right side perspective view of a wrist display showing our new design;
FIG. 2 is a bottom right side perspective view thereof;
FIG. 3 is a top plan view thereof;
FIG. 4 is a bottom plan view thereof;
FIG. 5 is a left side elevational view thereof;
FIG. 6 is a right side elevational view thereof;
FIG. 7 is a rear elevational view thereof; and,
FIG. 8 is a front elevational view thereof.

The structural features depicted by broken lines have been shown for the purpose of illustrating portions of the wrist display that form no part of the claimed design.

See application file for complete search history.

1 Claim, 8 Drawing Sheets



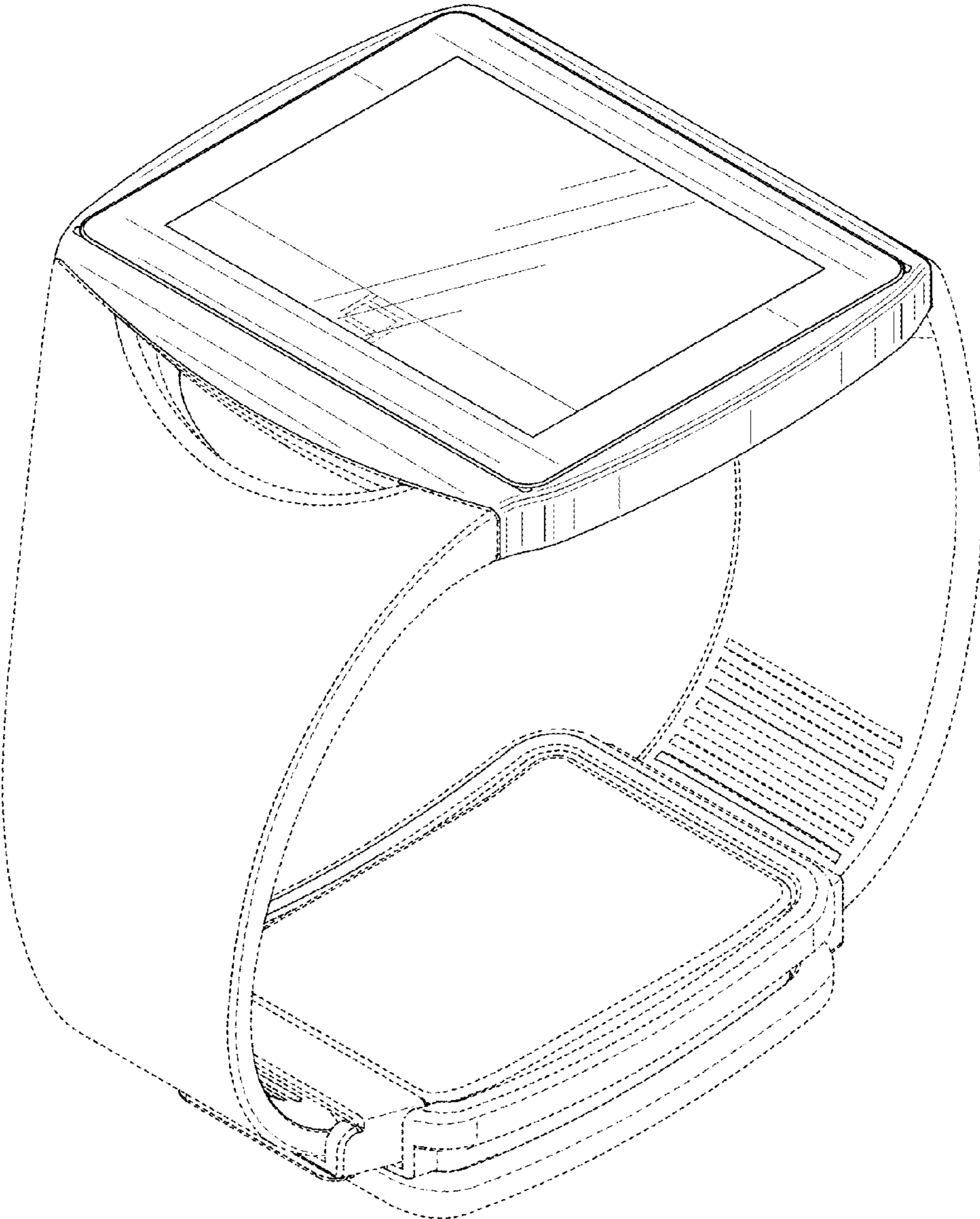


FIG. 1

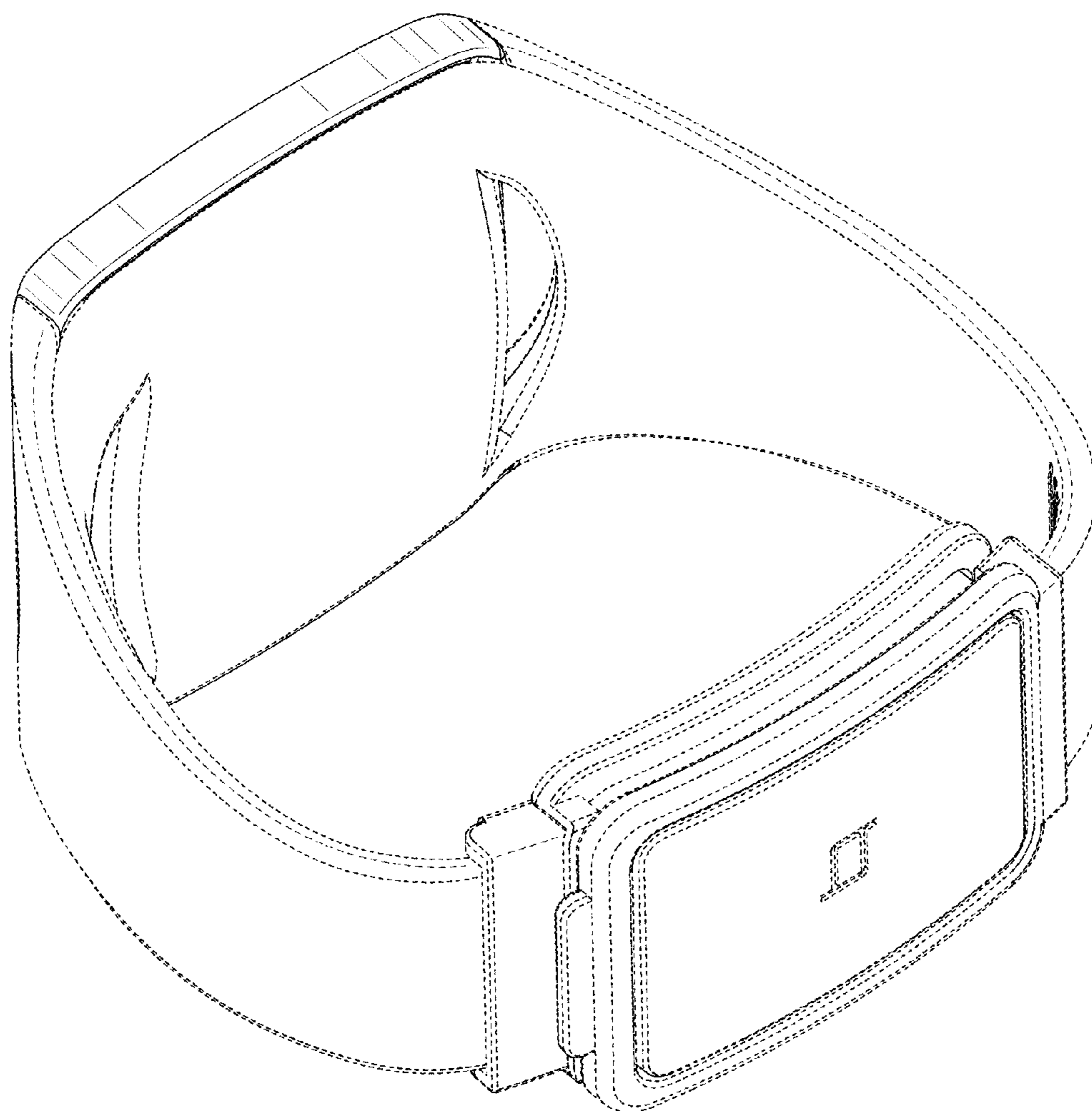


FIG. 2

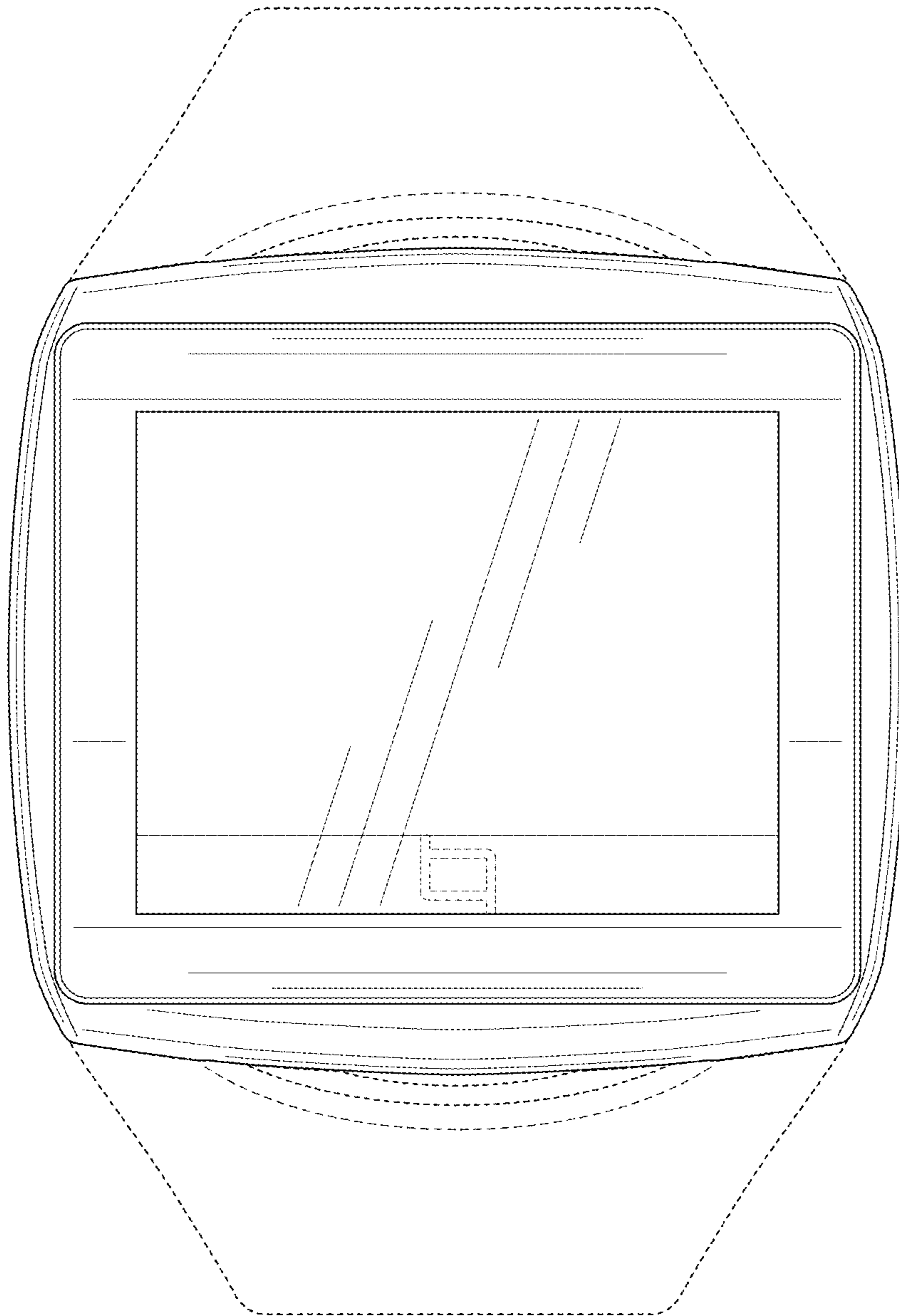


FIG. 3

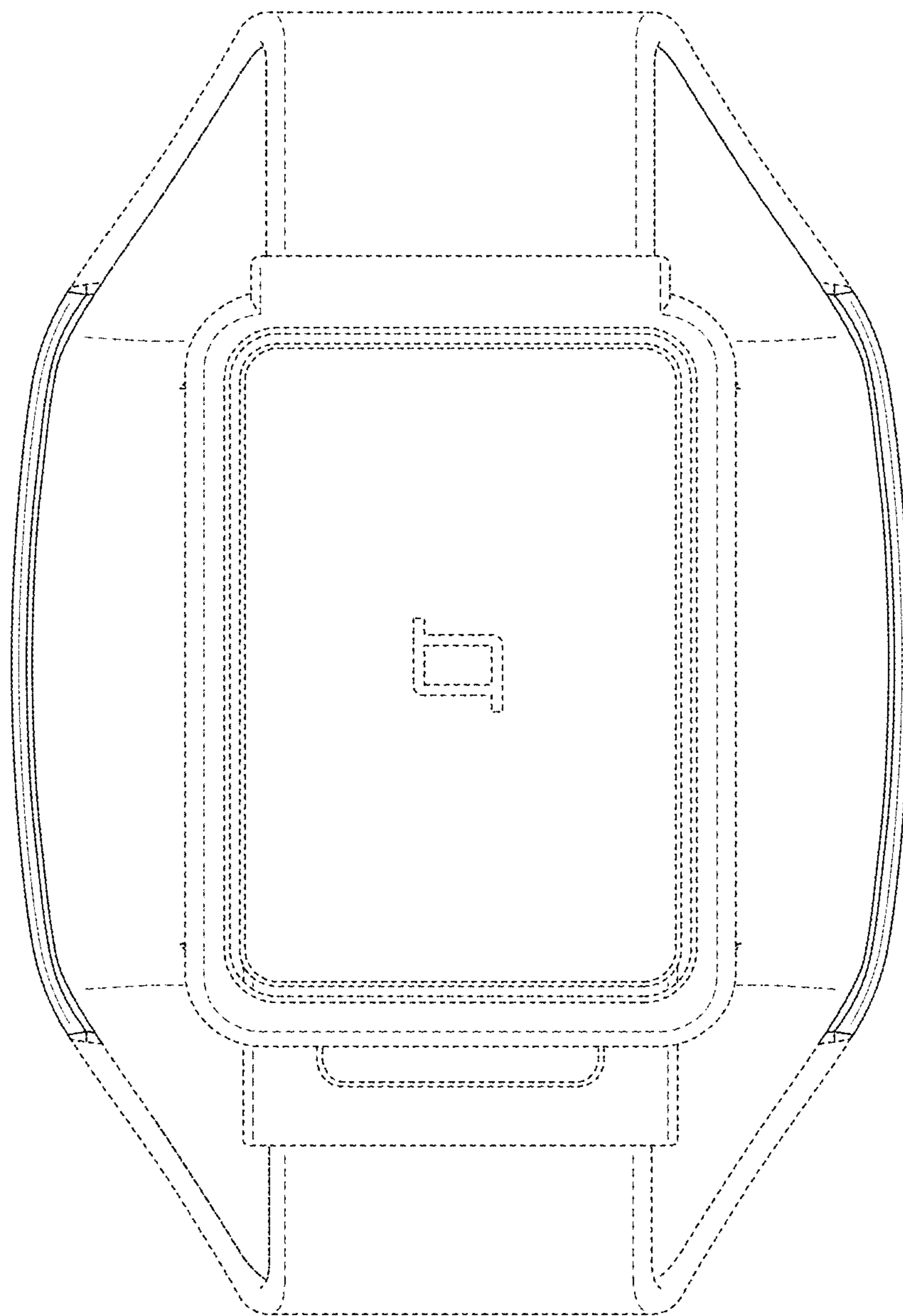


FIG. 4

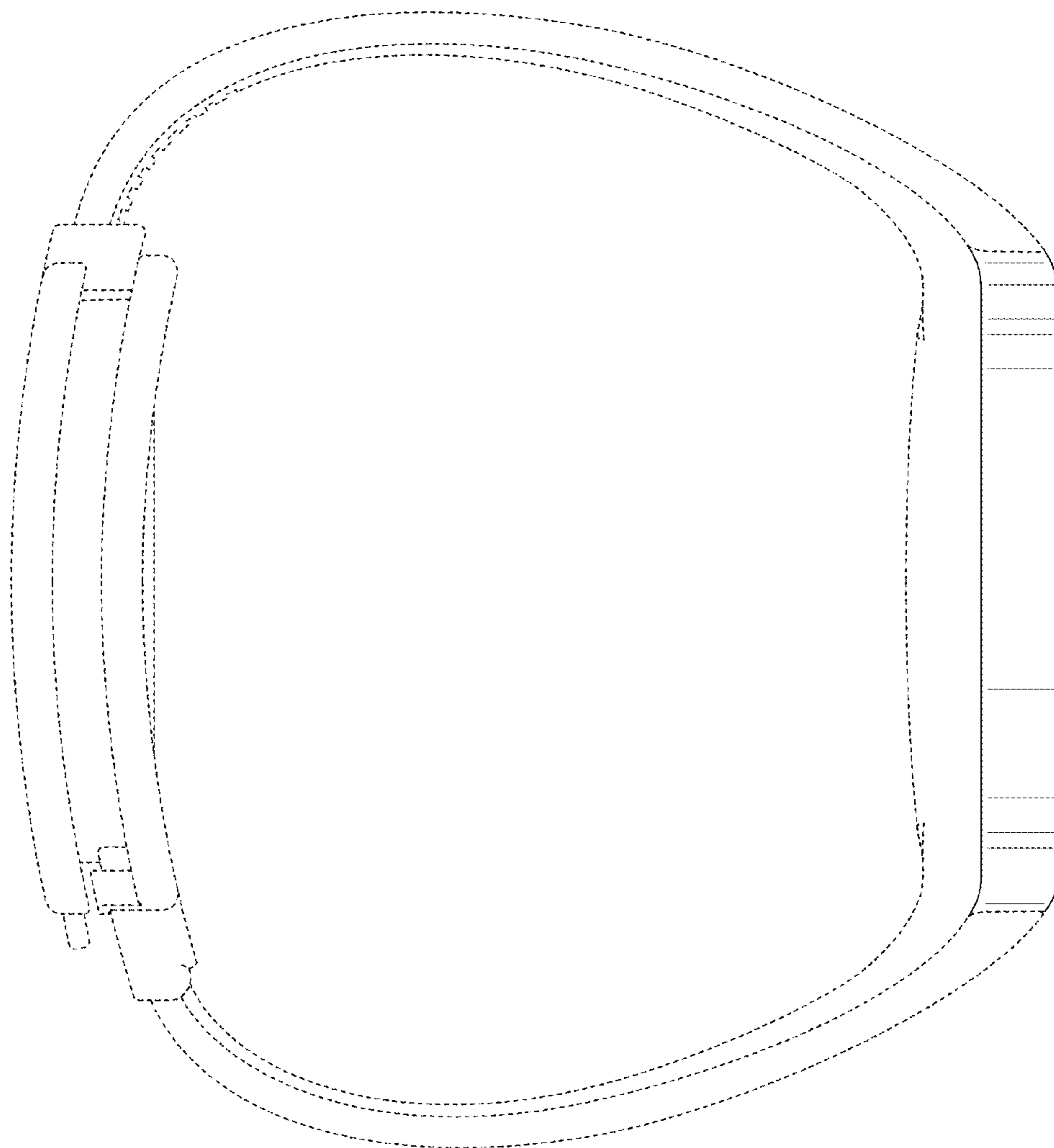


FIG. 5

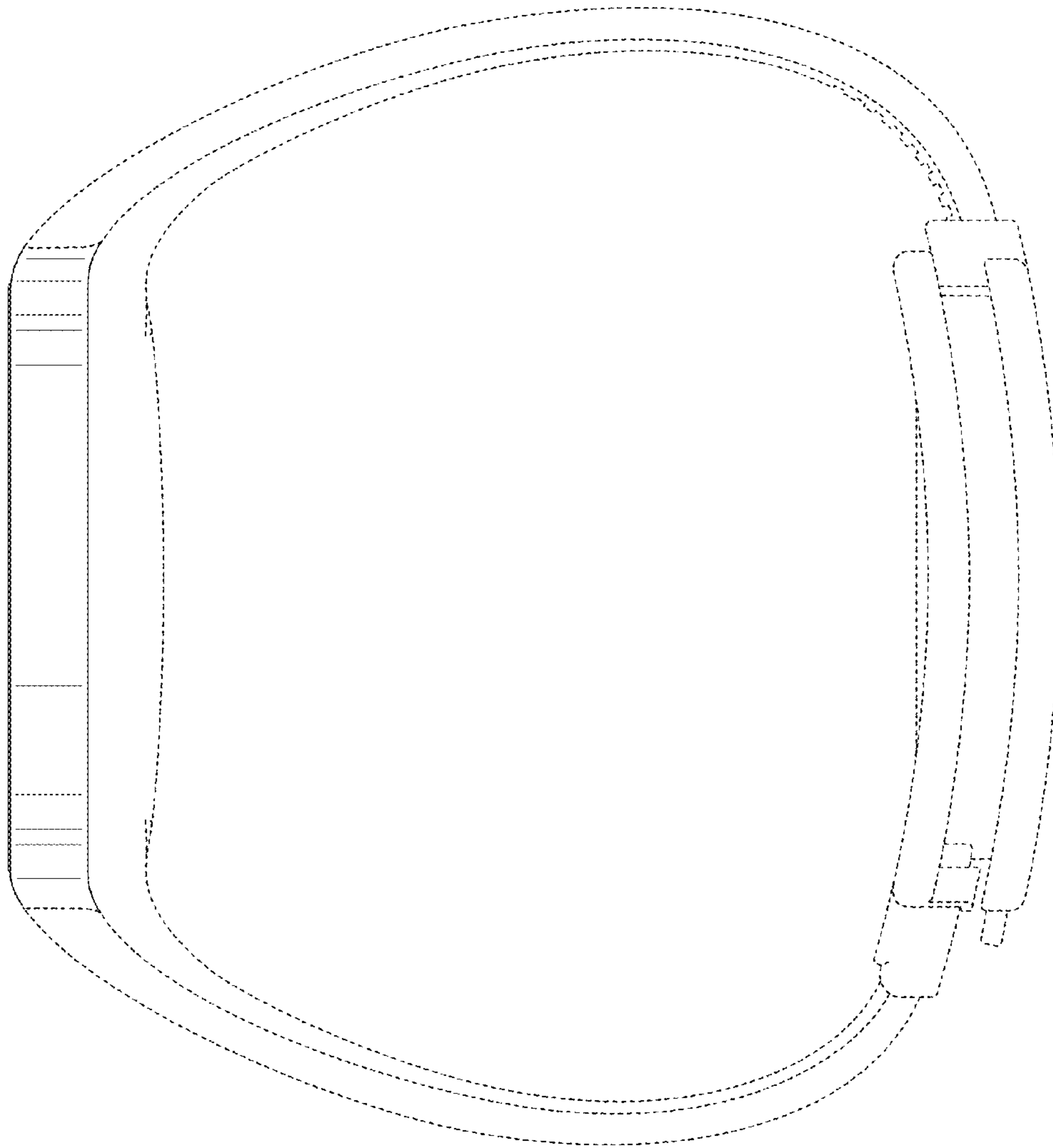


FIG. 6

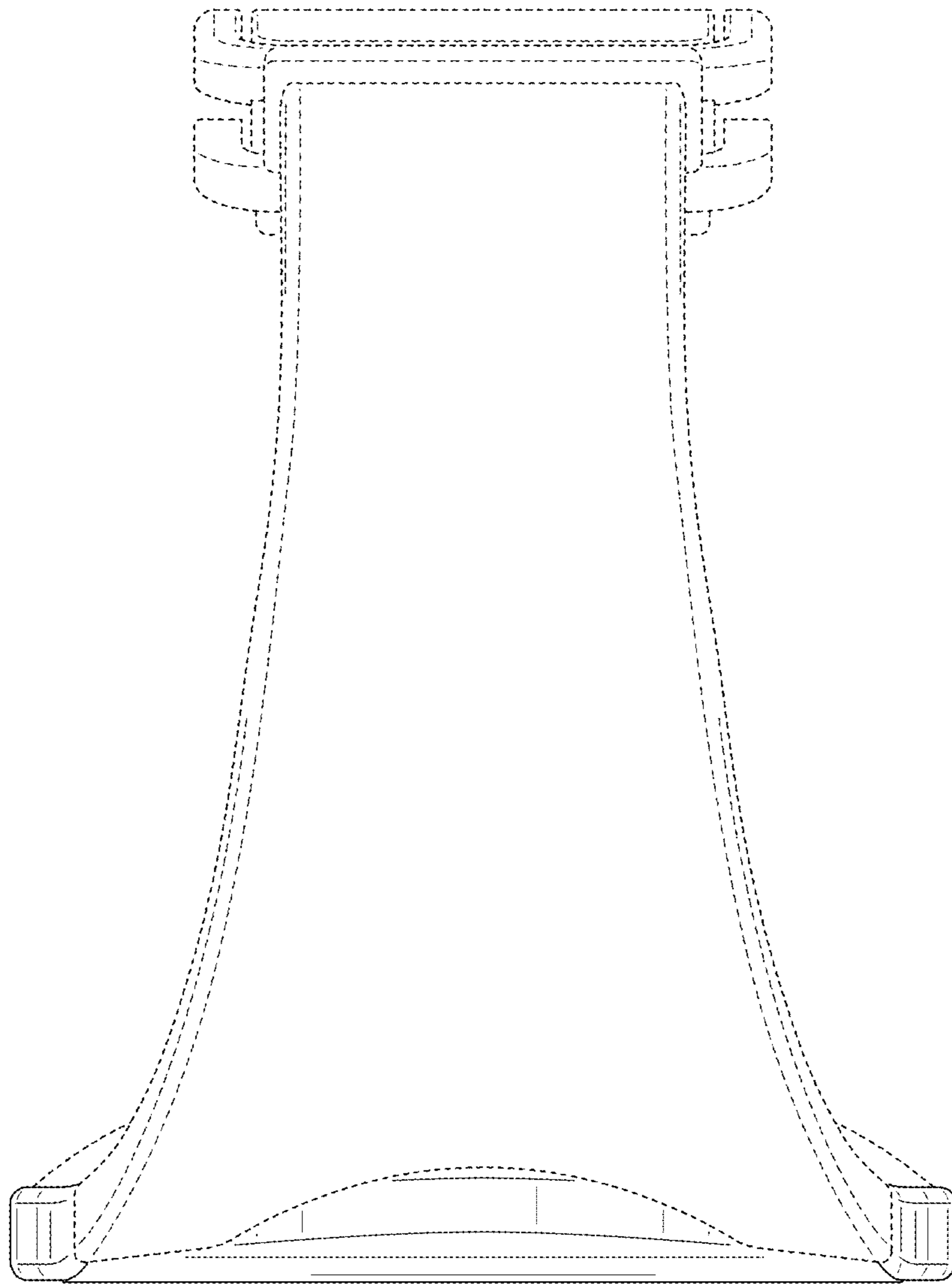


FIG. 7

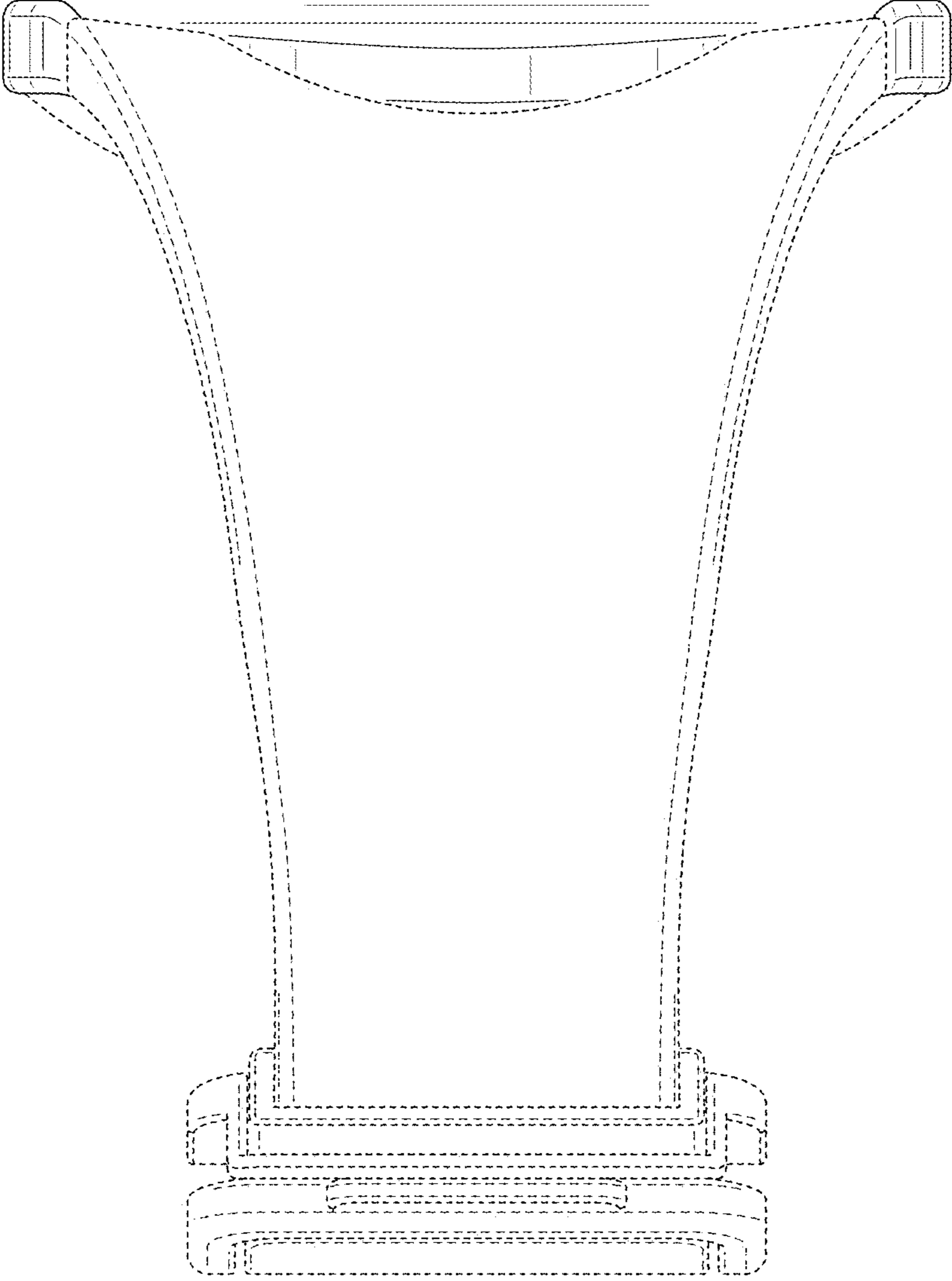


FIG. 8