



US00D751927S

(12) **United States Design Patent**
Li

(10) **Patent No.:** **US D751,927 S**
(45) **Date of Patent:** **** Mar. 22, 2016**

- (54) **WRIST WATCH WITH LED DEVICE**
- (71) Applicant: **L&J GLOBAL ENTERPRISE INC,**
Arcadia, CA (US)
- (72) Inventor: **Jiacheng Li,** Guangzhou (CN)
- (73) Assignee: **L&J GLOBAL ENTERPRISE INC.,**
Arcadia, CA (US)
- (**) Term: **14 Years**
- (21) Appl. No.: **29/511,775**
- (22) Filed: **Dec. 12, 2014**
- (51) **LOC (10) Cl.** **10-02**
- (52) **U.S. Cl.**
USPC **D10/32; D10/126; D10/128**
- (58) **Field of Classification Search**
USPC **D10/30-39, 1-29, 122-132; D11/3**
CPC **G04B 19/04; G04B 19/06; G04B 19/08;**
G04B 19/10; G04B 19/18; G04B 19/30;
G04B 19/305; G04B 19/32; G04B 37/00;
G04B 37/0058; G04B 47/00; G04B 47/046;
G04F 7/00; G04F 7/08; G04G 17/00; G04G
17/08

See application file for complete search history.

(56) **References Cited**

U.S. PATENT DOCUMENTS

- D186,180 S * 9/1959 Diamond D10/39
- 2,916,871 A * 12/1959 Wegner G04B 19/30
368/67
- 3,788,061 A * 1/1974 Tornquist G04B 19/30
368/296

- 4,253,178 A * 2/1981 Kolaczia G04B 47/046
368/285
- D331,020 S * 11/1992 Ishii D10/30
- D349,251 S * 8/1994 Goto D10/30
- 5,339,294 A * 8/1994 Rodgers B63C 11/02
368/227
- D361,285 S * 8/1995 Bulgari D10/30
- D391,176 S * 2/1998 Bulgari D10/30
- 5,734,628 A * 3/1998 Akasaka G04B 19/10
368/227
- D413,815 S * 9/1999 Hysek D10/30
- D421,921 S * 3/2000 Giardiello D10/30
- 6,106,127 A * 8/2000 Fuwasa B60Q 3/042
116/280
- D451,824 S * 12/2001 Strasser D10/30
- 6,565,253 B1 * 5/2003 Yang G04G 21/00
368/227
- D500,958 S * 1/2005 Cooper D10/126
- D573,041 S * 7/2008 Lulic D10/39

* cited by examiner

Primary Examiner — Martie K Holtje

(74) *Attorney, Agent, or Firm* — Perkins Coie LLP

(57) **CLAIM**

The ornamental design for a wrist watch with LED device, as shown and described.

DESCRIPTION

FIG. 1 is a right front perspective view of a wrist watch with LED device showing my new design;
FIG. 2 is a front elevational view thereof;
FIG. 3 is a rear elevational view thereof;
FIG. 4 is a left side elevational view thereof;
FIG. 5 is a right side elevational view thereof;
FIG. 6 is a top plan view thereof; and,
FIG. 7 is a bottom plan view thereof.

1 Claim, 4 Drawing Sheets





Fig. 1

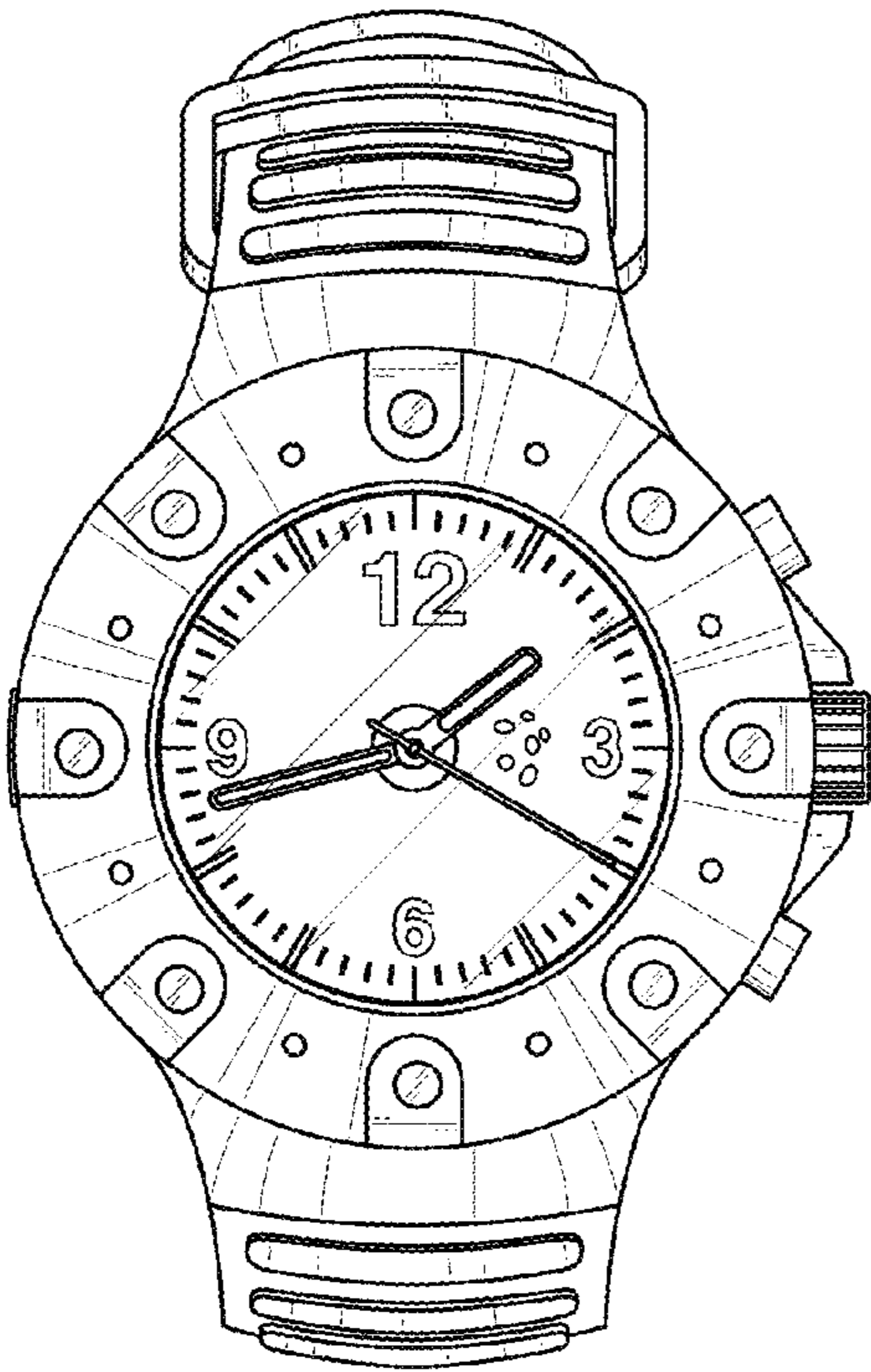


Fig. 2

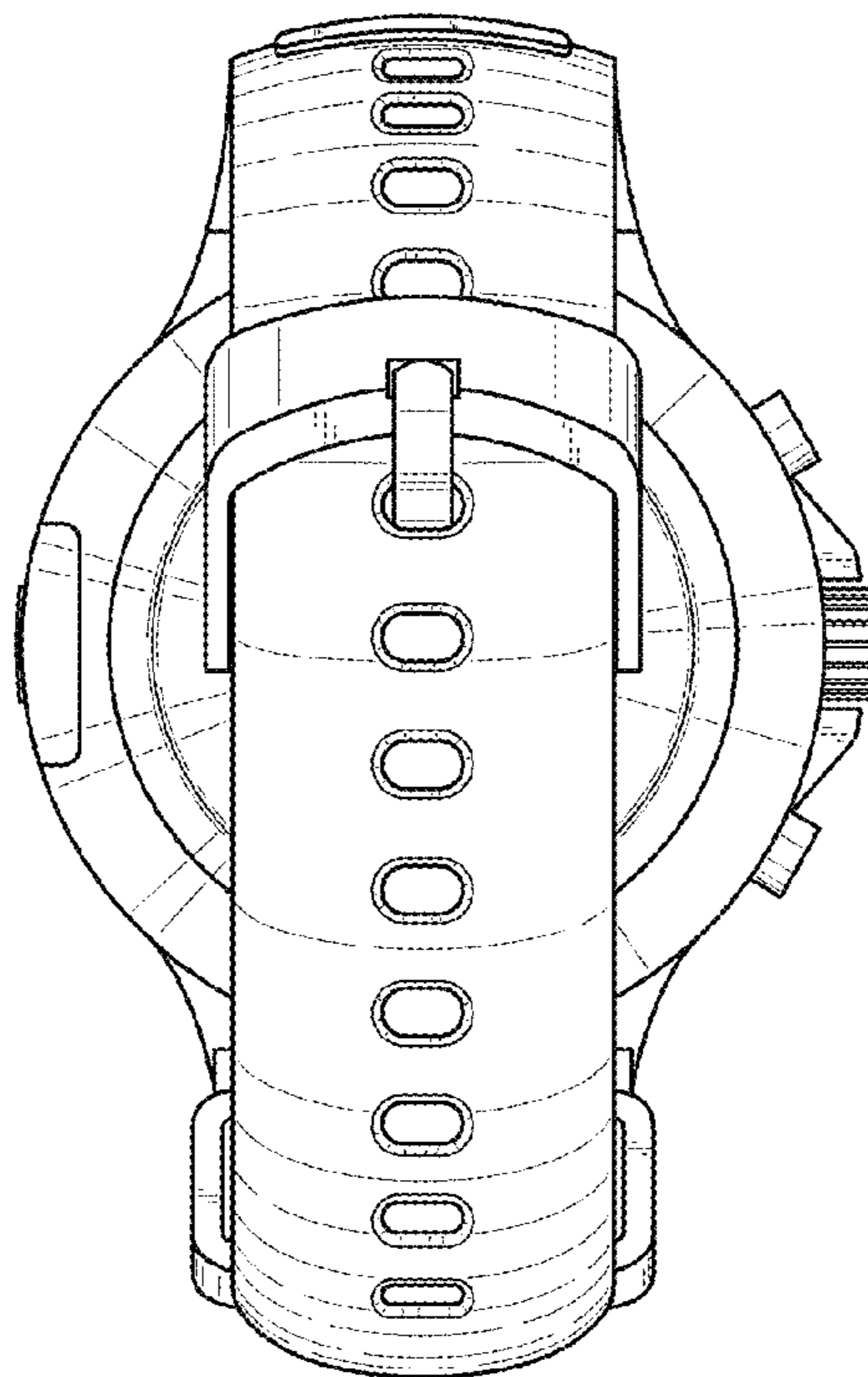


Fig. 3

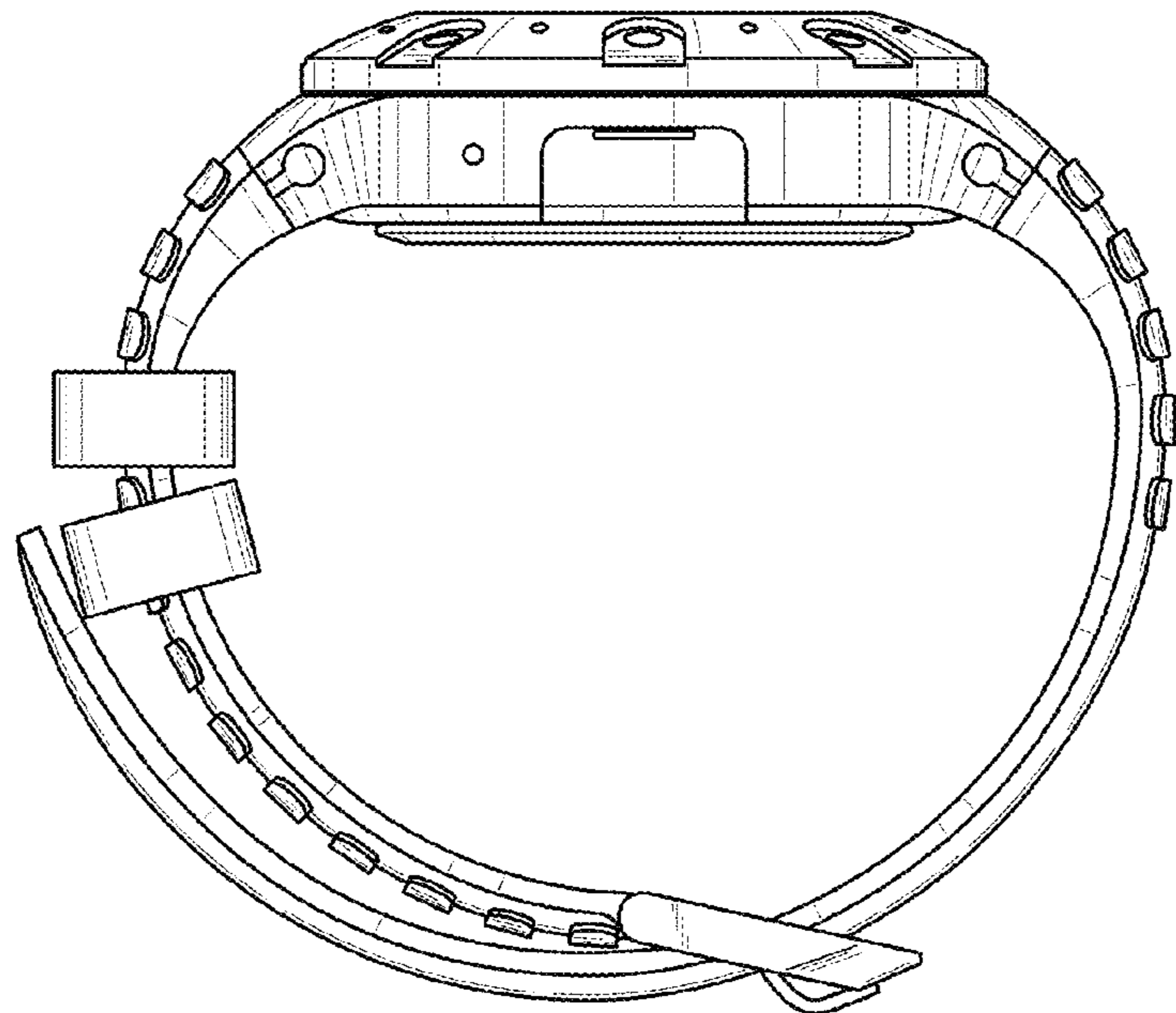


Fig. 4

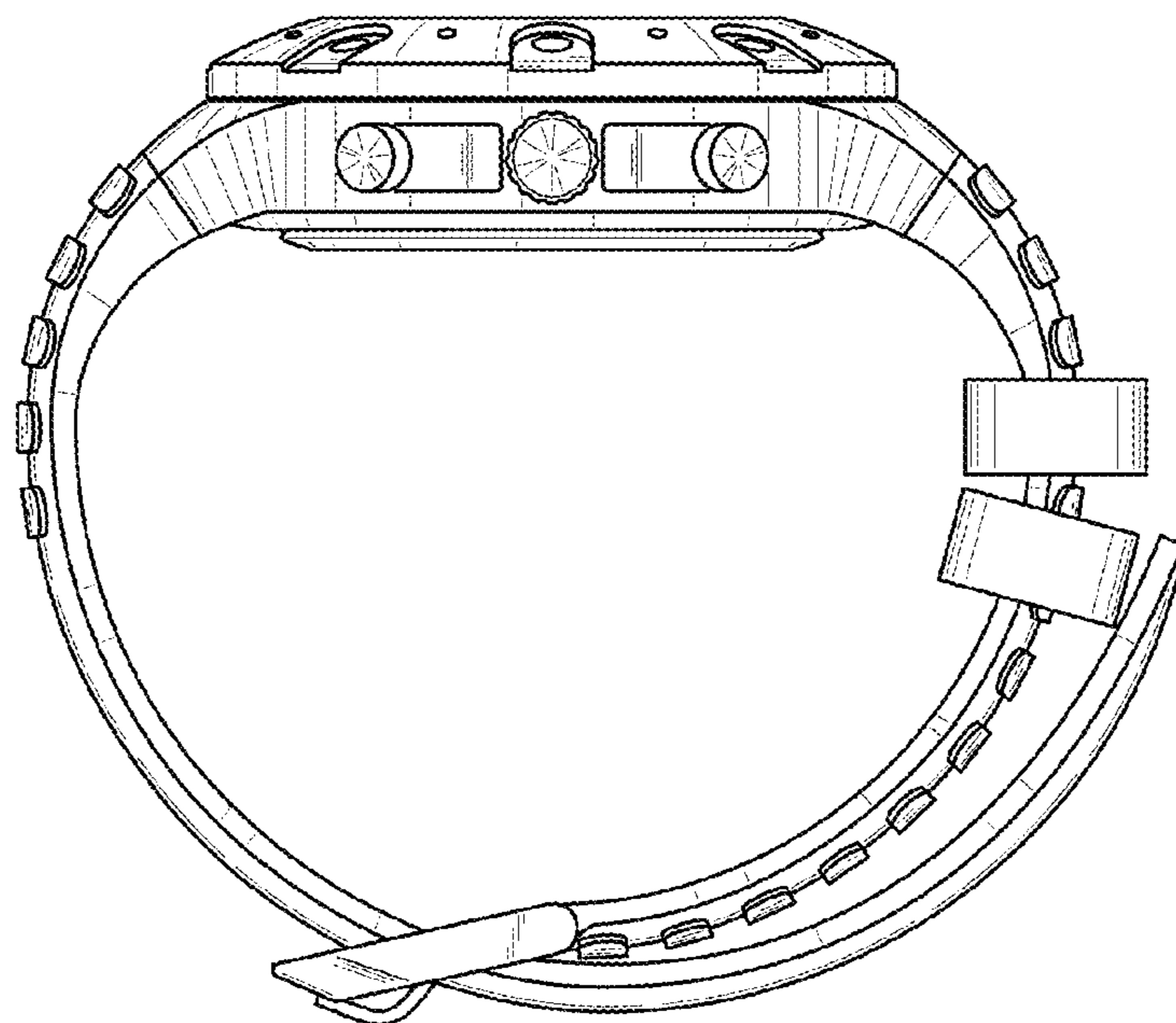


Fig. 5

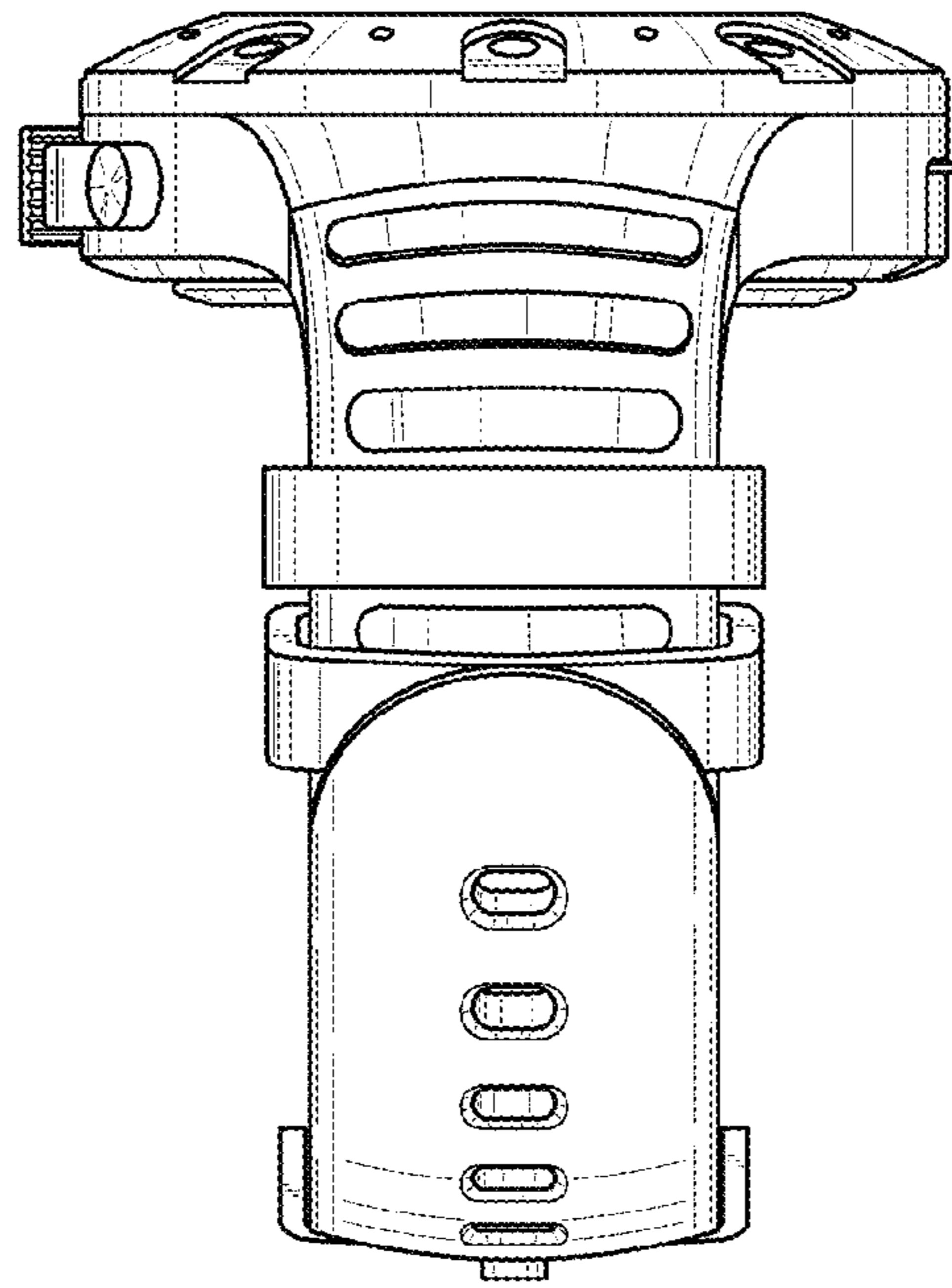


Fig. 6

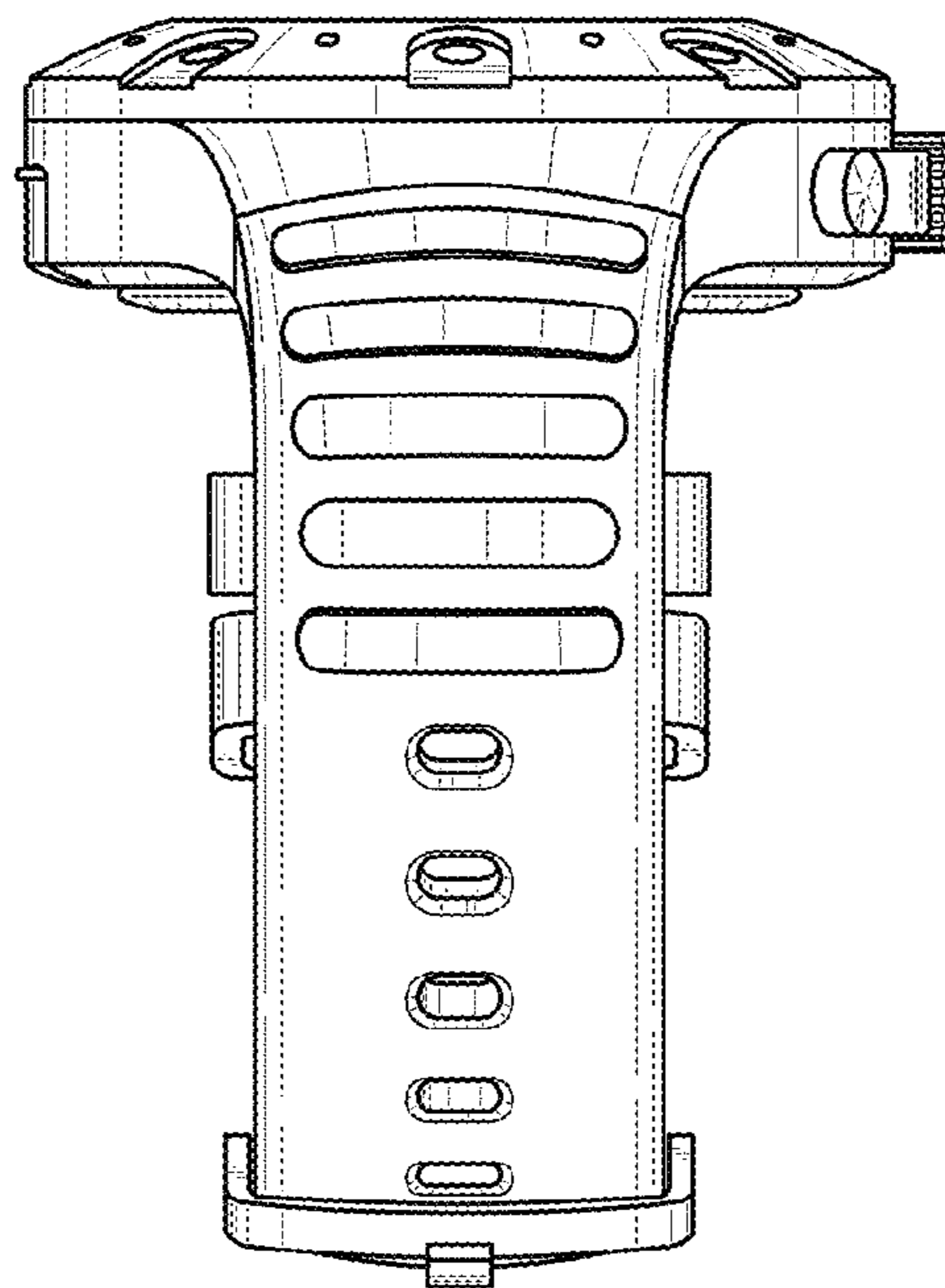


Fig. 7