



US00D751921S

(12) **United States Design Patent**
Lam

(10) **Patent No.:** **US D751,921 S**
(45) **Date of Patent:** **** Mar. 22, 2016**

- (54) **OBJECT STORAGE DEVICE**
- (71) Applicant: **THE PLASTICSAM LIMITED,**
Kowloon (HK)
- (72) Inventor: **Samy Lam,** Kowloon (HK)
- (73) Assignee: **THE PLASTICSAM LIMITED,**
Kowloon (HK)
- (**) Term: **14 Years**
- (21) Appl. No.: **29/468,498**
- (22) Filed: **Oct. 1, 2013**
- (51) **LOC (10) Cl.** **09-01**
- (52) **U.S. Cl.**
USPC **D9/741; D9/504; D9/505; D9/521**
- (58) **Field of Classification Search**
USPC D9/414, 417, 424-425, 427, 428,
D9/434-436, 439, 453, 454, 500-501,
D9/503-505, 516-517, 529, 549, 558, 715,
D9/719, 737-738, 741, 761; D1/102-103,
D1/127; D24/216, 223-224; D27/183,
D27/187, 190; D28/73, 75-77
CPC B65D 1/00; B65D 1/02; B65D 1/0223;
B65D 1/04; B65D 21/00; B65D 21/0209;
B65D 23/00; B65D 25/00; B65D 47/00;
B65D 81/00; B65D 81/32; B65D 81/3205;
B65D 83/00; B65D 83/04; B65D 83/0409;
B65D 85/00; B65D 85/60; B65D 2251/06;
B65D 2501/00; B65D 2501/0009; A23G 3/56;
A23G 3/563; A23G 3/566; A23G 2220/12;
A23G 2220/14; Y10S 206/804; Y10S 206/828
See application file for complete search history.

- (56) **References Cited**
U.S. PATENT DOCUMENTS
3,001,403 A * 9/1961 Edwards G01N 1/14
40/631
3,615,222 A * 10/1971 Mead B01L 3/5082
210/282

| | | | |
|---------------|---------|----------------------|-------------------------|
| D237,807 S * | 11/1975 | Serafini et al. | D27/188 |
| D259,440 S * | 6/1981 | Martin | D24/224 |
| D260,731 S * | 9/1981 | Sarac | 446/268 |
| D286,505 S * | 11/1986 | Okada | D3/20 |
| D287,570 S * | 1/1987 | Olsen | D24/224 |
| 4,768,653 A * | 9/1988 | Desai | A01N 59/14 206/524.8 |
| D307,223 S * | 4/1990 | Rossari | D7/679 |
| D318,728 S * | 7/1991 | Braune | D24/224 |
| D320,885 S * | 10/1991 | Fitzhugh | D3/264 |
| D330,512 S * | 10/1992 | Ryberg | D9/414 |
| 5,163,441 A * | 11/1992 | Monthony | A61B 10/02 435/287.2 |
| D334,058 S * | 3/1993 | Noble | D24/116 |
| 5,370,884 A * | 12/1994 | Coleman | A23G 3/563 118/13 |
| D359,607 S * | 6/1995 | Yun | 426/115 |
| 5,769,267 A * | 6/1998 | Duynslager | A61J 3/071 220/4.21 |

(Continued)

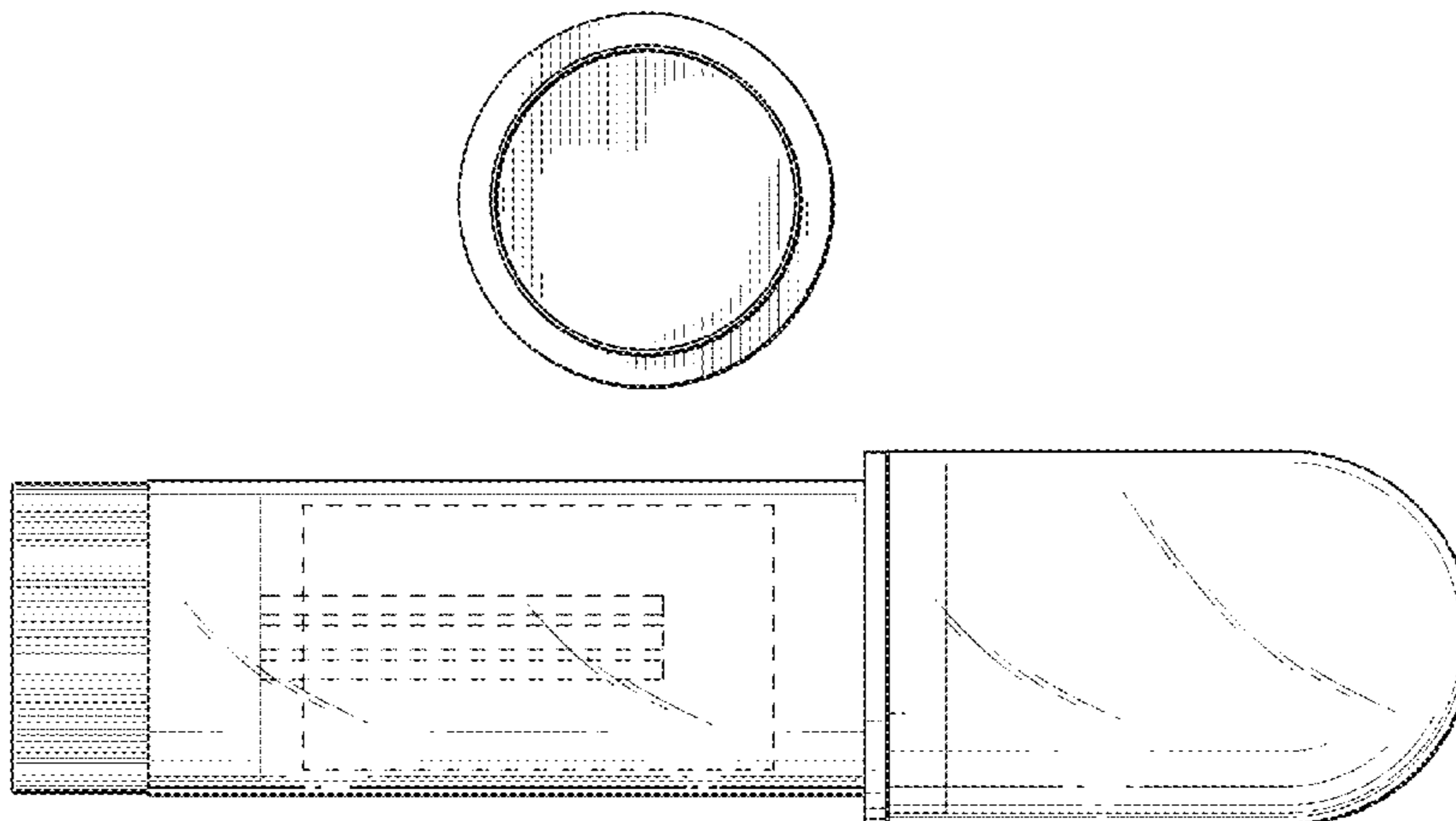
Primary Examiner — Dana L Meyrow
(74) *Attorney, Agent, or Firm* — Maier & Maier, PLLC

(57) **CLAIM**
The ornamental design for an object storage device, as shown and described.

DESCRIPTION

FIG. 1 is a top perspective view of an object storage device showing my new design;
 FIG. 2 is a partially-exploded, front elevation view thereof; the rear elevation view being identical;
 FIG. 3 is a bottom plan view thereof;
 FIG. 4 is a top plan view thereof; and,
 FIG. 5 is a front elevation view thereof, the rear elevation view being identical.
 The broken line showing of the interior mounting element and a candy substance in FIGS. 2 & 5 is for illustrative purposes only and form no part of the claimed design.
 The angled shade lines in the drawings represent transparent surfaces. The inside and opposing side details seen through the transparent material have been omitted from FIG. 1 for ease of understanding.

1 Claim, 3 Drawing Sheets



(56)

References Cited

U.S. PATENT DOCUMENTS

5,897,418 A * 4/1999 Spector A63H 3/02
206/457
D409,914 S * 5/1999 Mark D24/152
5,913,453 A * 6/1999 Coleman A23G 3/50
221/24
5,988,386 A * 11/1999 Morrow A61F 13/26
206/440
D420,744 S * 2/2000 Ostgaard D24/224
D424,431 S * 5/2000 Suzuki D21/324
D434,560 S * 12/2000 Chao D3/265
D435,441 S * 12/2000 Yoon D1/127
6,159,492 A * 12/2000 Manzone A23G 3/368
206/828
D436,183 S * 1/2001 Stevens D20/22
D437,776 S * 2/2001 Pullan D9/648
D445,024 S * 7/2001 Breidenbach D9/504
D445,908 S * 7/2001 Conway D24/216

7,473,155 B1 * 1/2009 Klundt A23G 3/563
426/104
D604,163 S * 11/2009 Nelson D9/504
D618,561 S * 6/2010 Lee D9/726
D633,392 S * 3/2011 Northrop D9/500
D658,362 S * 5/2012 Nassiri D3/203.2
D665,072 S * 8/2012 Trento D24/104
D667,176 S * 9/2012 Crane D24/104
D698,651 S * 2/2014 Sommer D9/453
D727,172 S * 4/2015 Rosella D9/504
D730,735 S * 6/2015 Sommer D9/500
2003/0215549 A1 * 11/2003 Coleman A23G 3/563
426/115
2004/0156955 A1 * 8/2004 Klima A23G 3/563
426/104
2012/0282007 A1 * 11/2012 Moskow B65D 83/0011
401/89
2015/0090732 A1 * 4/2015 Lam A23G 3/563
221/1

* cited by examiner

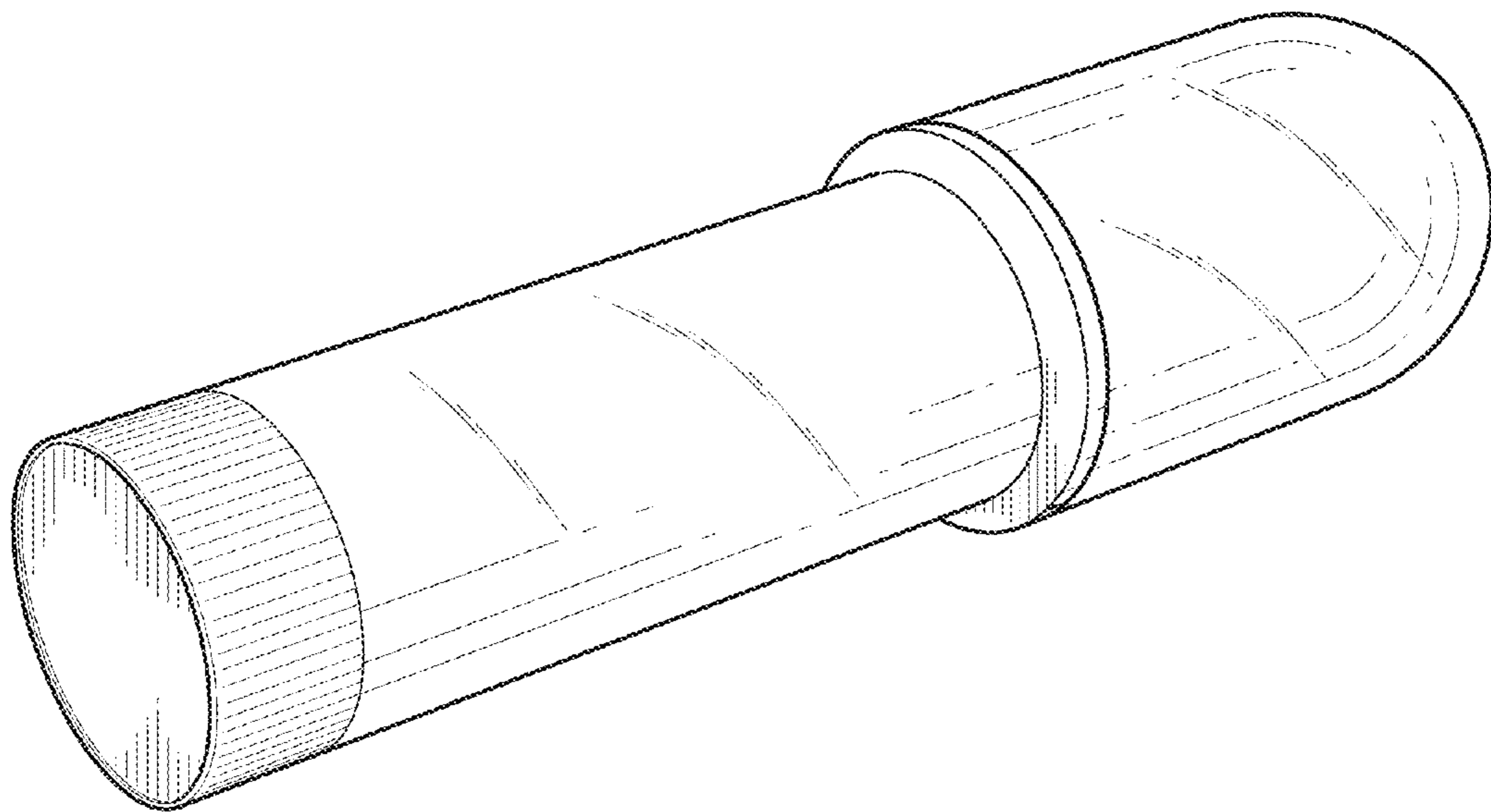


FIG. 1

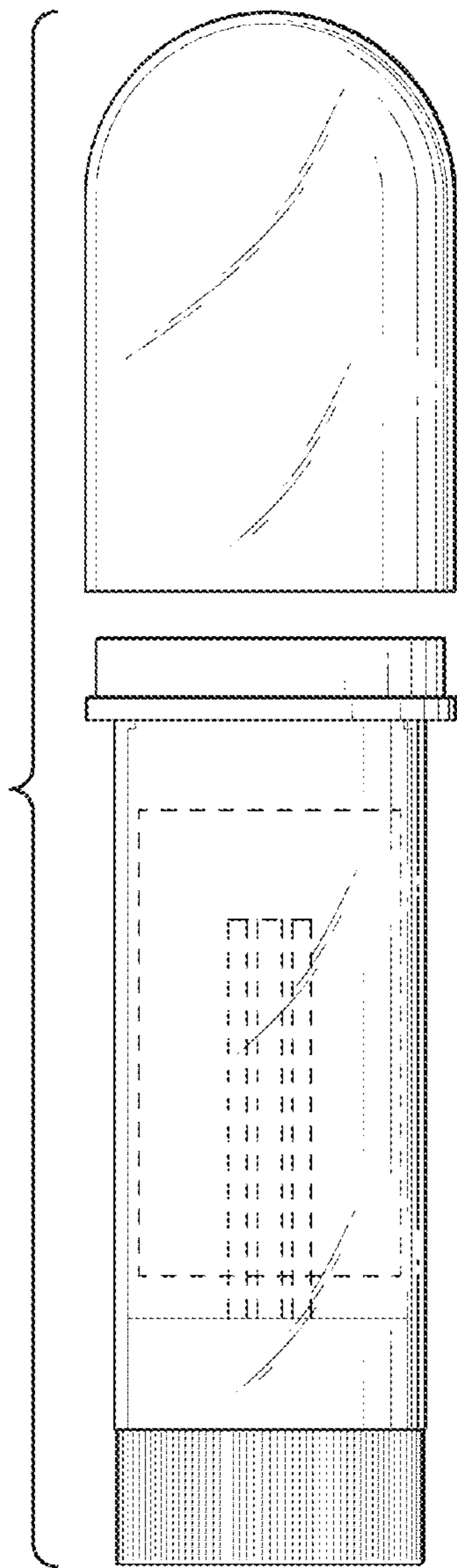


FIG. 2

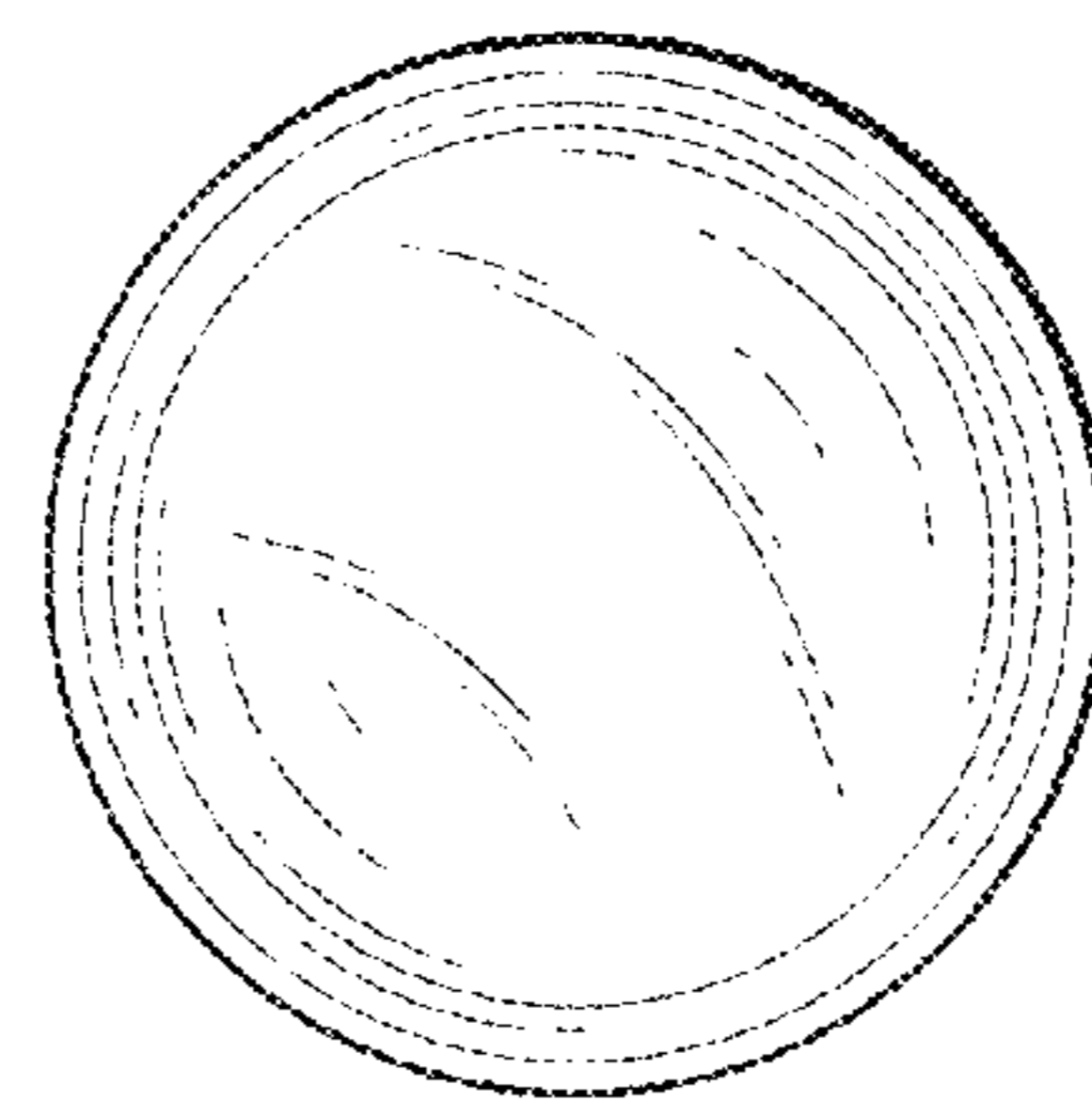


FIG. 3

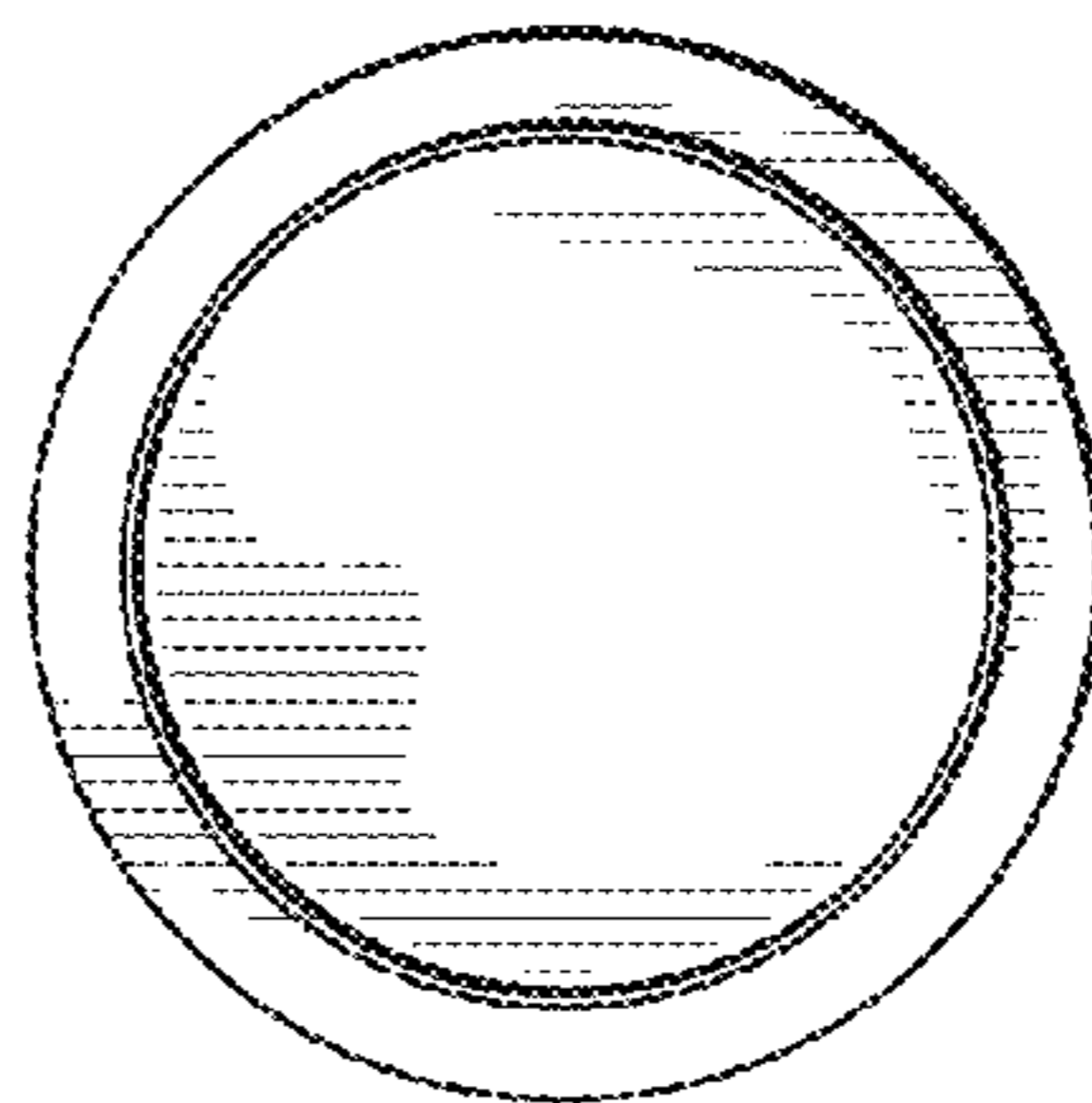


FIG. 4

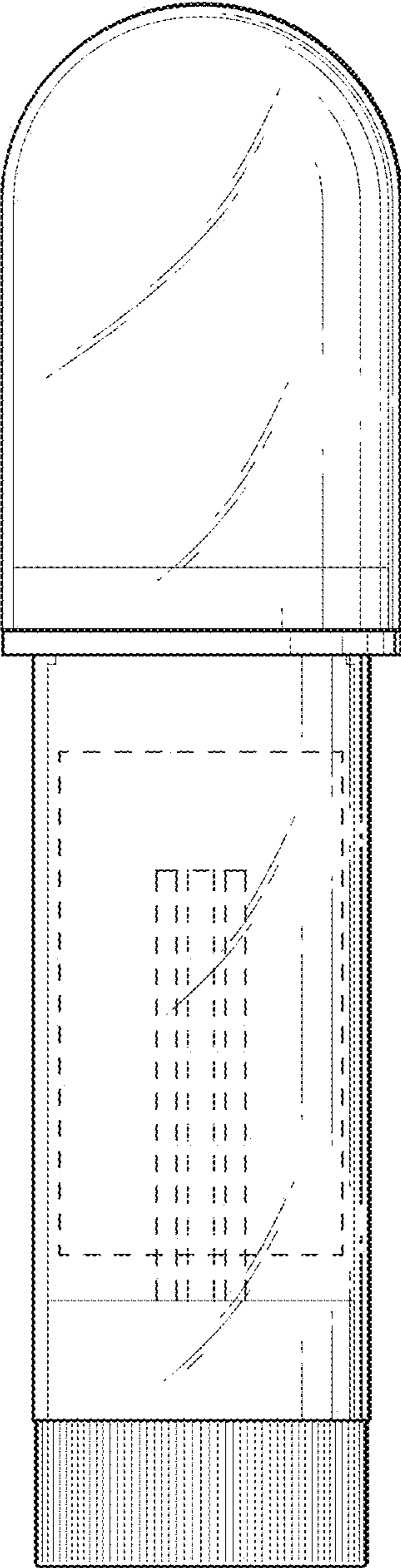


FIG. 5