



US00D751917S

(12) **United States Design Patent**
Reinmuth

(10) **Patent No.:** **US D751,917 S**
(45) **Date of Patent:** **** Mar. 22, 2016**

(54) **PACKAGE DESIGN WITH SURFACE ORNAMENTATION**

D568,170 S * 5/2008 Prini D9/629
D651,521 S 1/2012 Haile
D725,479 S * 3/2015 Ajichi D9/629
2009/0205992 A1 8/2009 Williams

(71) Applicant: **The Procter & Gamble Company,**
Cincinnati, OH (US)

* cited by examiner

(72) Inventor: **Steven Reinmuth,** San Francisco, CA
(US)

Primary Examiner — Sandra Morris

(74) *Attorney, Agent, or Firm* — Christian M. Best

(73) Assignee: **The Procter & Gamble Company,**
Cincinnati, OH (US)

(57) **CLAIM**

The package design with surface ornamentation, as shown and described.

(**) Term: **14 Years**

(21) Appl. No.: **29/518,136**

(22) Filed: **Feb. 20, 2015**

DESCRIPTION

Related U.S. Application Data

(63) Continuation of application No. 29/483,872, filed on
Mar. 4, 2014, now Pat. No. Des. 730,741.

(51) **LOC (10) Cl.** **09-01**

(52) **U.S. Cl.**
USPC **D9/629; D9/434**

(58) **Field of Classification Search**
USPC D9/600, 614–629, 414–434; 206/457,
206/494, 459.5, 527, 540; 229/116.1,
229/116.2, 117.16, 117.24, 117.25, 162.1,
229/162.3; 446/77; 215/381–384, 400
CPC B65D 67/00; B65D 81/36; B65D 81/60;
B65D 81/368; B65D 2203/00; B65D 2203/02;
A63H 33/16
See application file for complete search history.

The patent or application file contains at least one drawing executed in color. Copies of this patent or patent application publication with color drawings will be provided by the Office upon request and payment of the necessary fee.

FIG. 1 is a perspective view of a package design with surface ornamentation embodying the new design as shown, wherein the grayscale shaded regions are regions of color;

FIG. 2 is a front view thereof;

FIG. 3 is a right side view thereof;

FIG. 4 is a back view thereof;

FIG. 5 is a left side view thereof;

FIG. 6 is a top view thereof;

FIG. 7 is a bottom view thereof;

FIG. 8 is a perspective view of a second embodiment of a package design with surface ornamentation embodying the new design in color as shown;

FIG. 9 is a front view thereof;

FIG. 10 is a right side view thereof;

FIG. 11 is a back view thereof;

FIG. 12 is a left side view thereof;

FIG. 13 is a top view thereof; and,

FIG. 14 is a bottom view thereof.

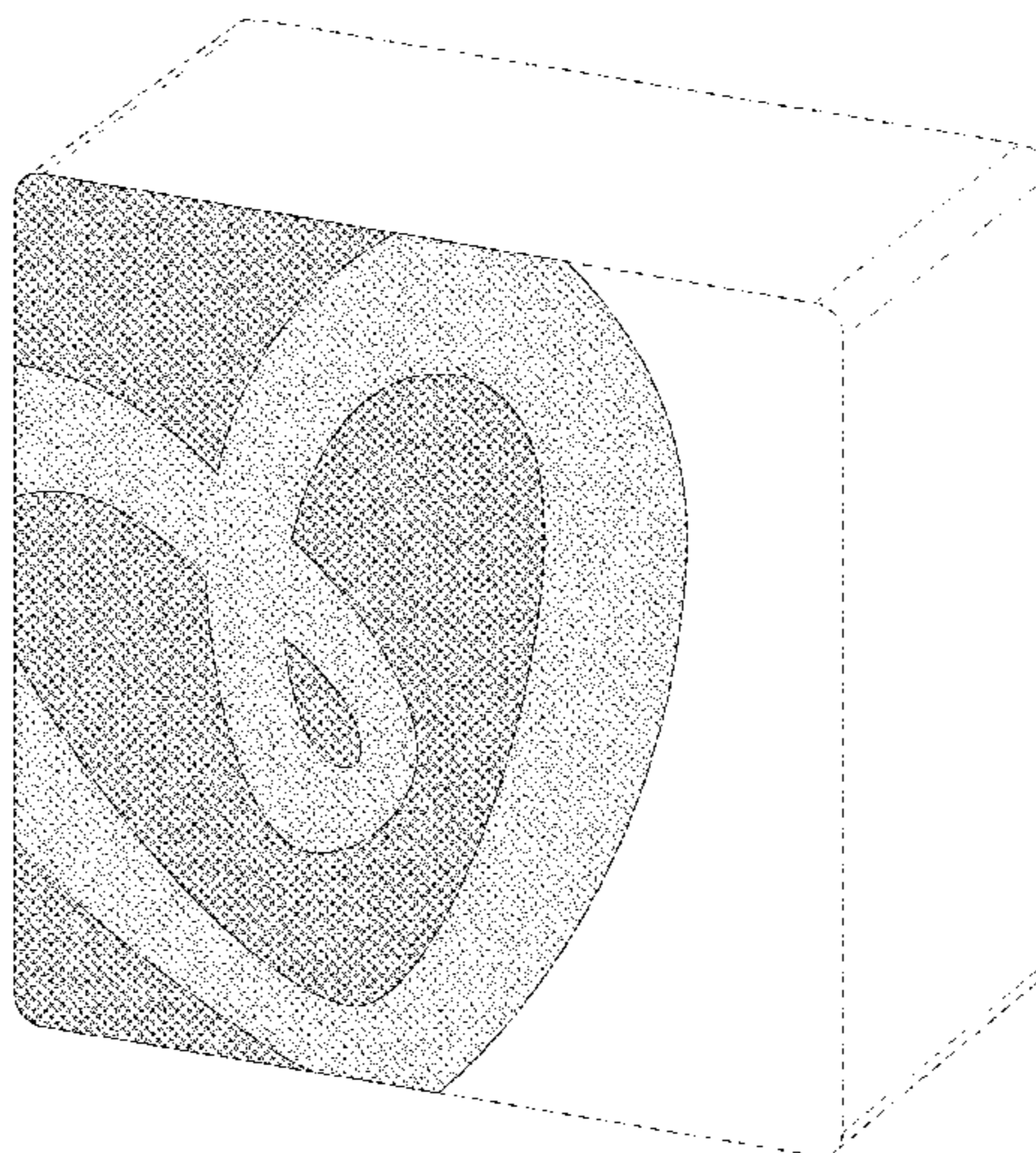
Broken lines shown in the figures described above are for illustrative purposes only and form no part of the claimed design.

(56) **References Cited**

U.S. PATENT DOCUMENTS

D354,908 S 1/1995 Barre
D374,619 S 10/1996 Cook
D382,476 S 8/1997 Bell
D405,002 S 2/1999 Appelbaum
D498,668 S 11/2004 Counts

1 Claim, 6 Drawing Sheets
(2 of 6 Drawing Sheet(s) Filed in Color)



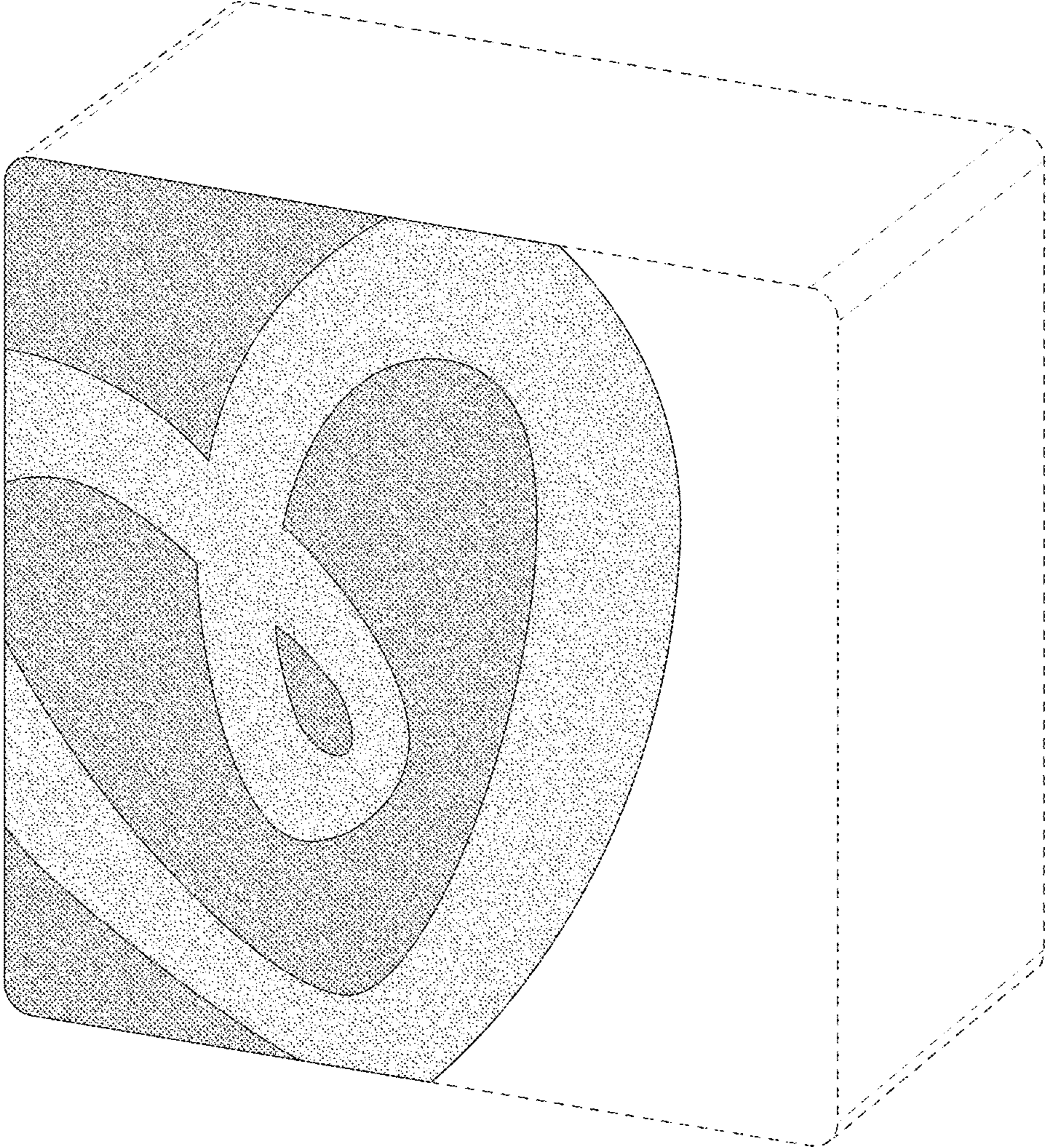


Fig. 1

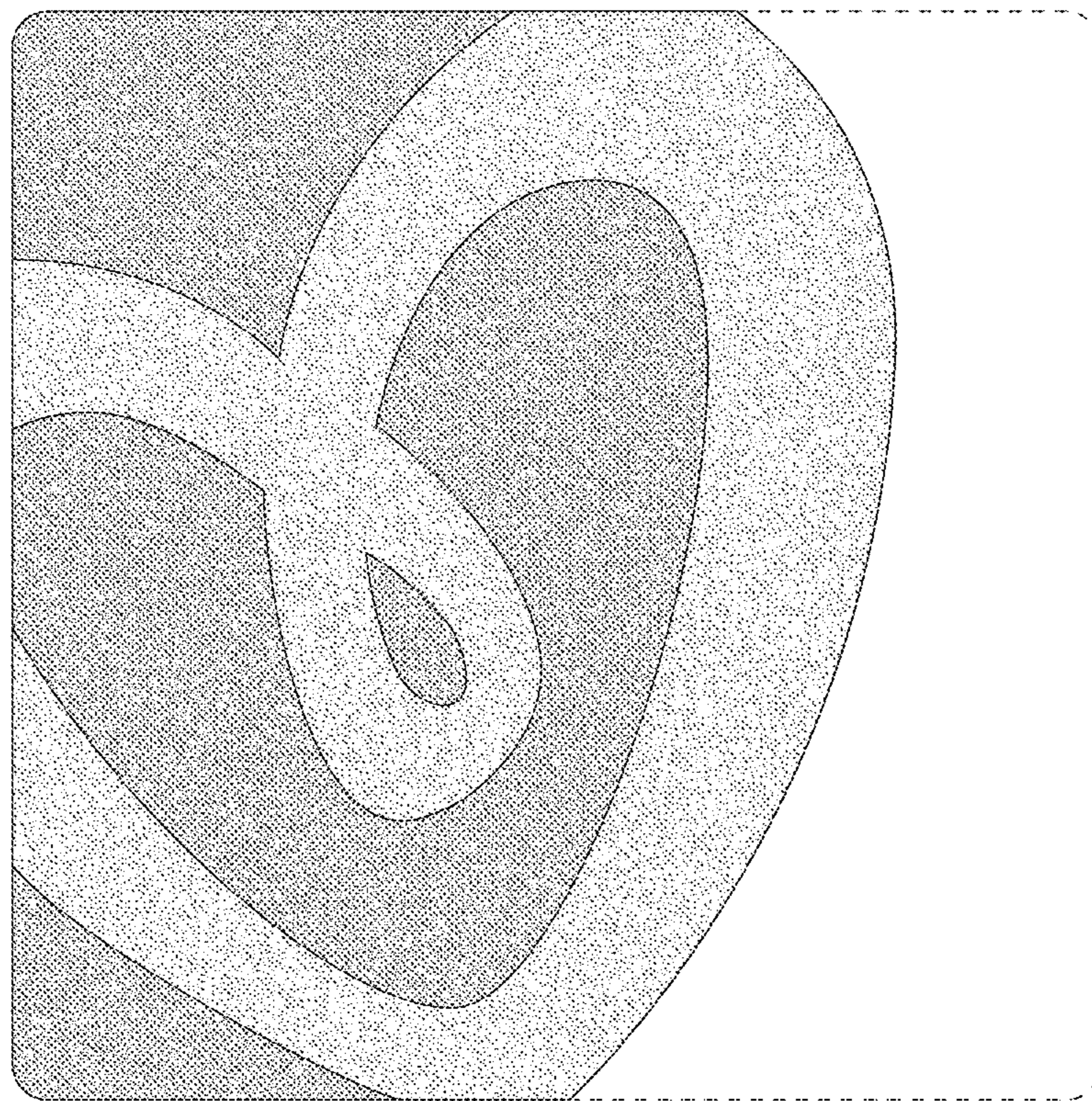


Fig. 2

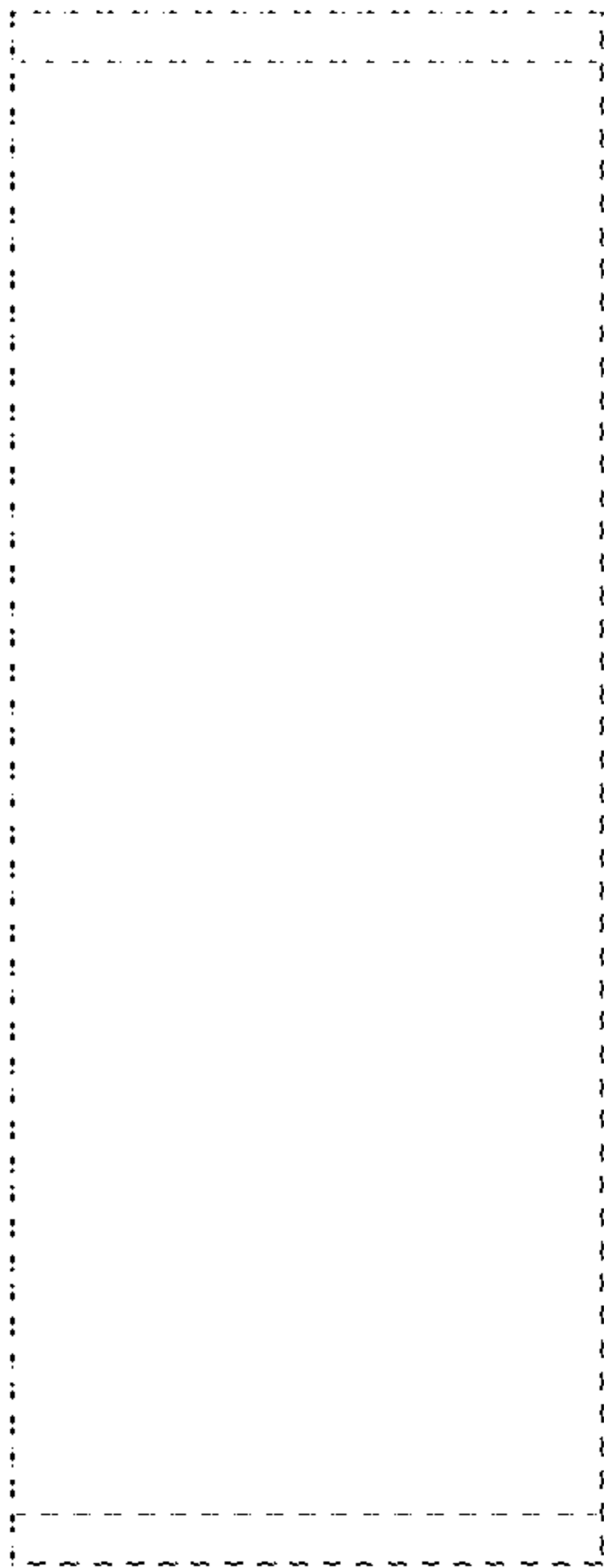


Fig. 3

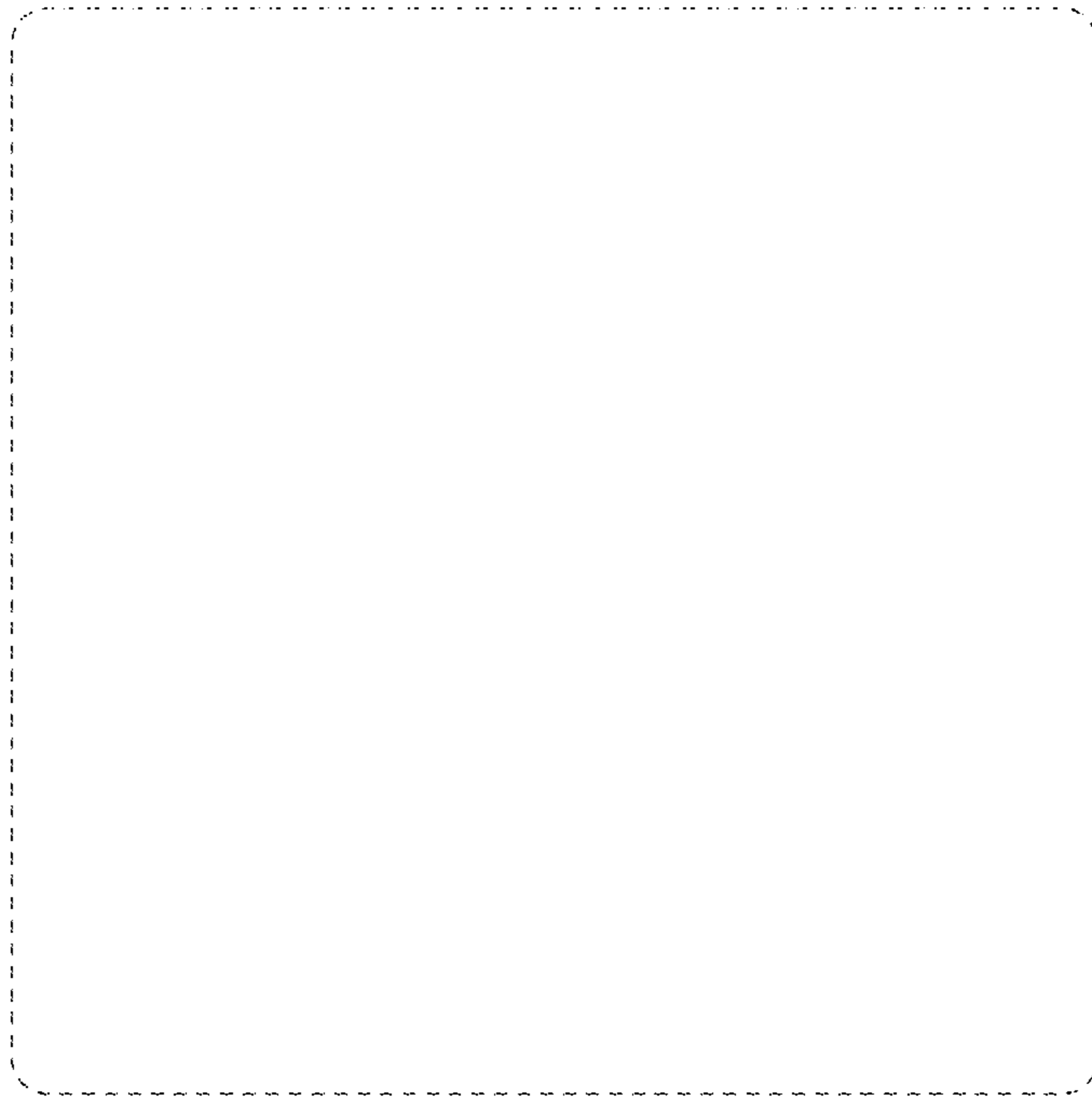


Fig. 4

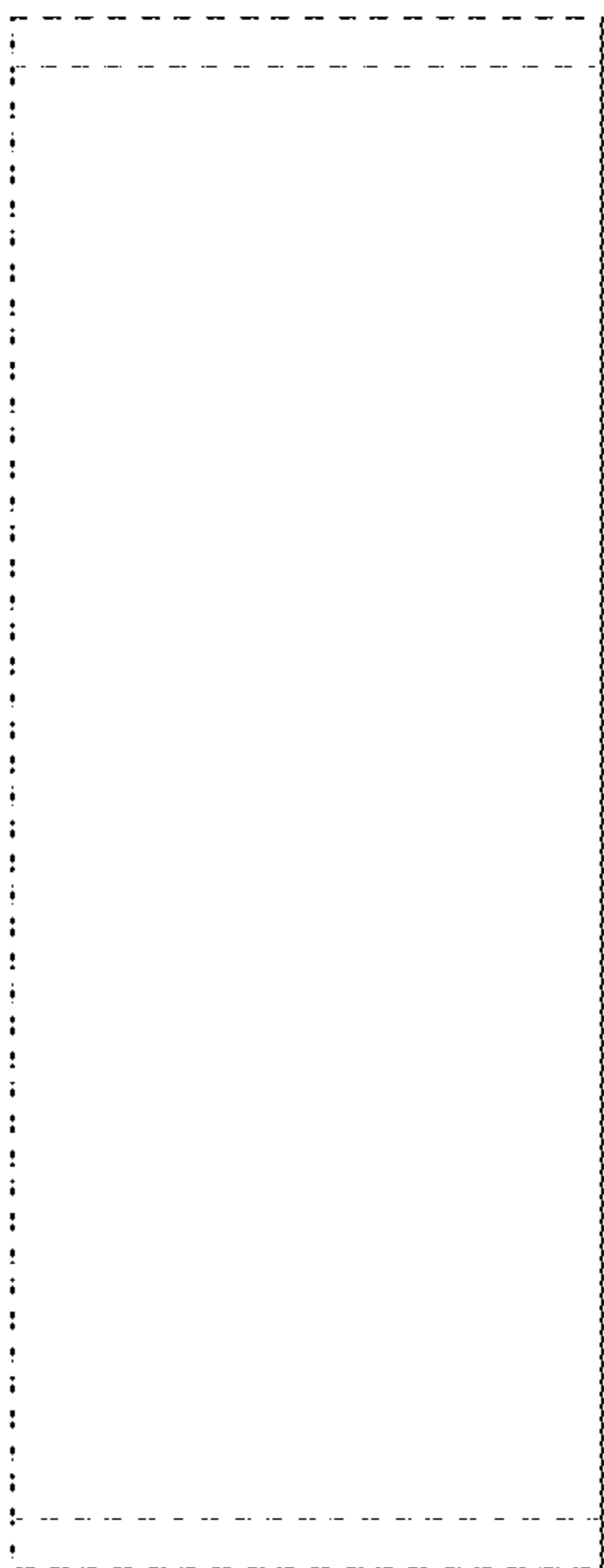


Fig. 5



Fig. 6

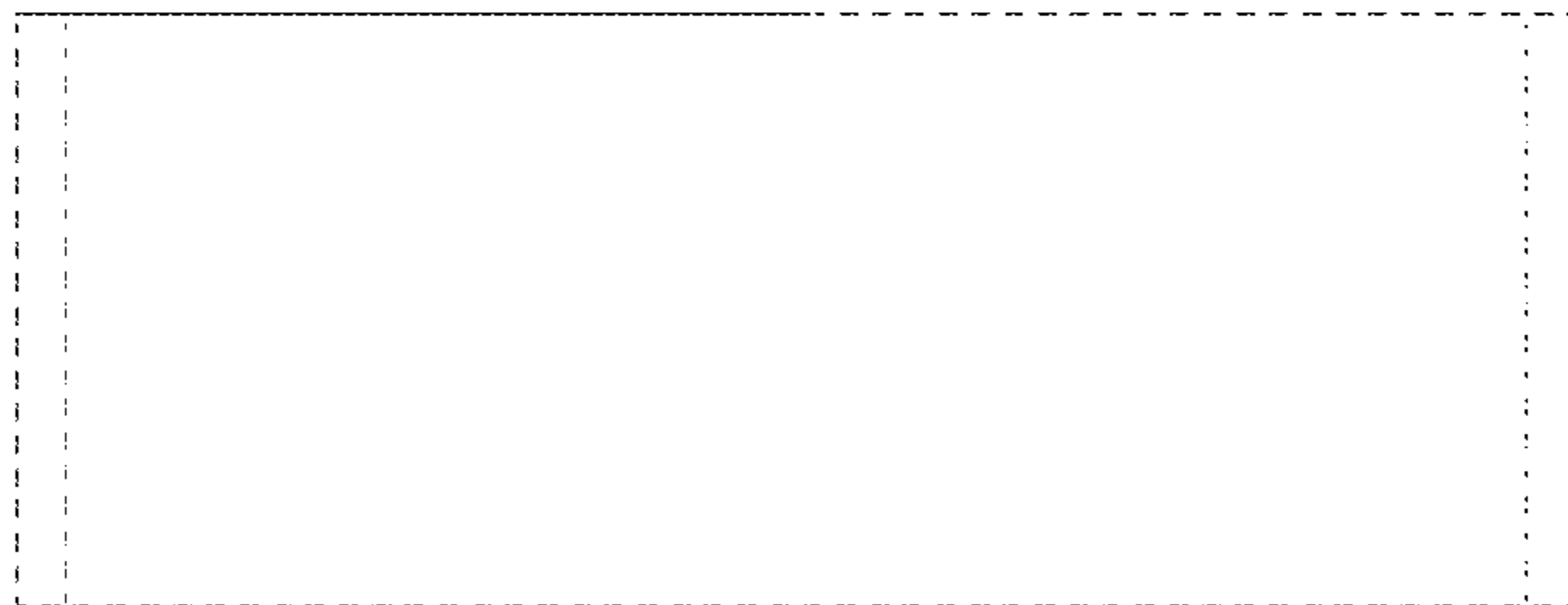


Fig. 7

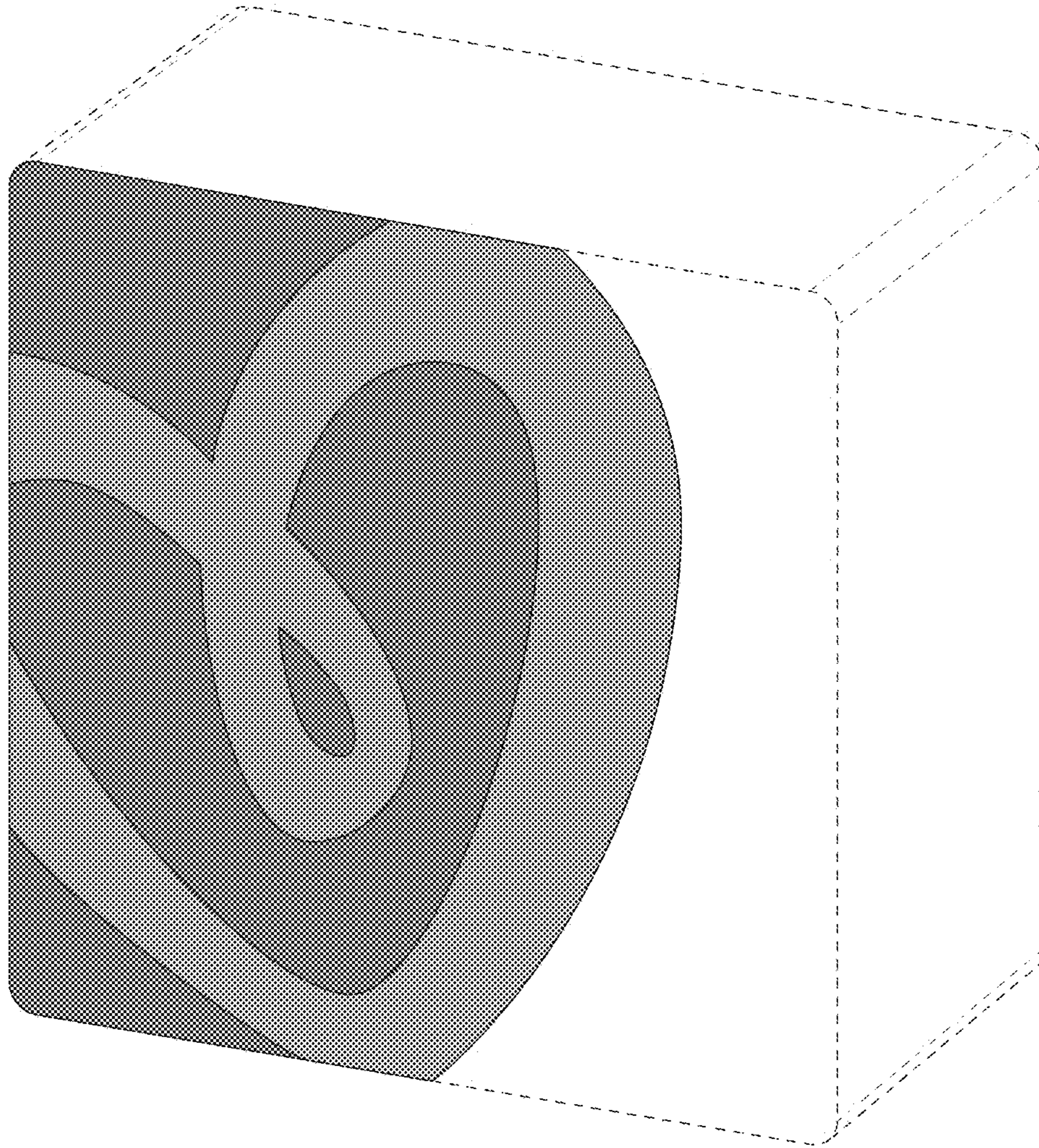


Fig. 8

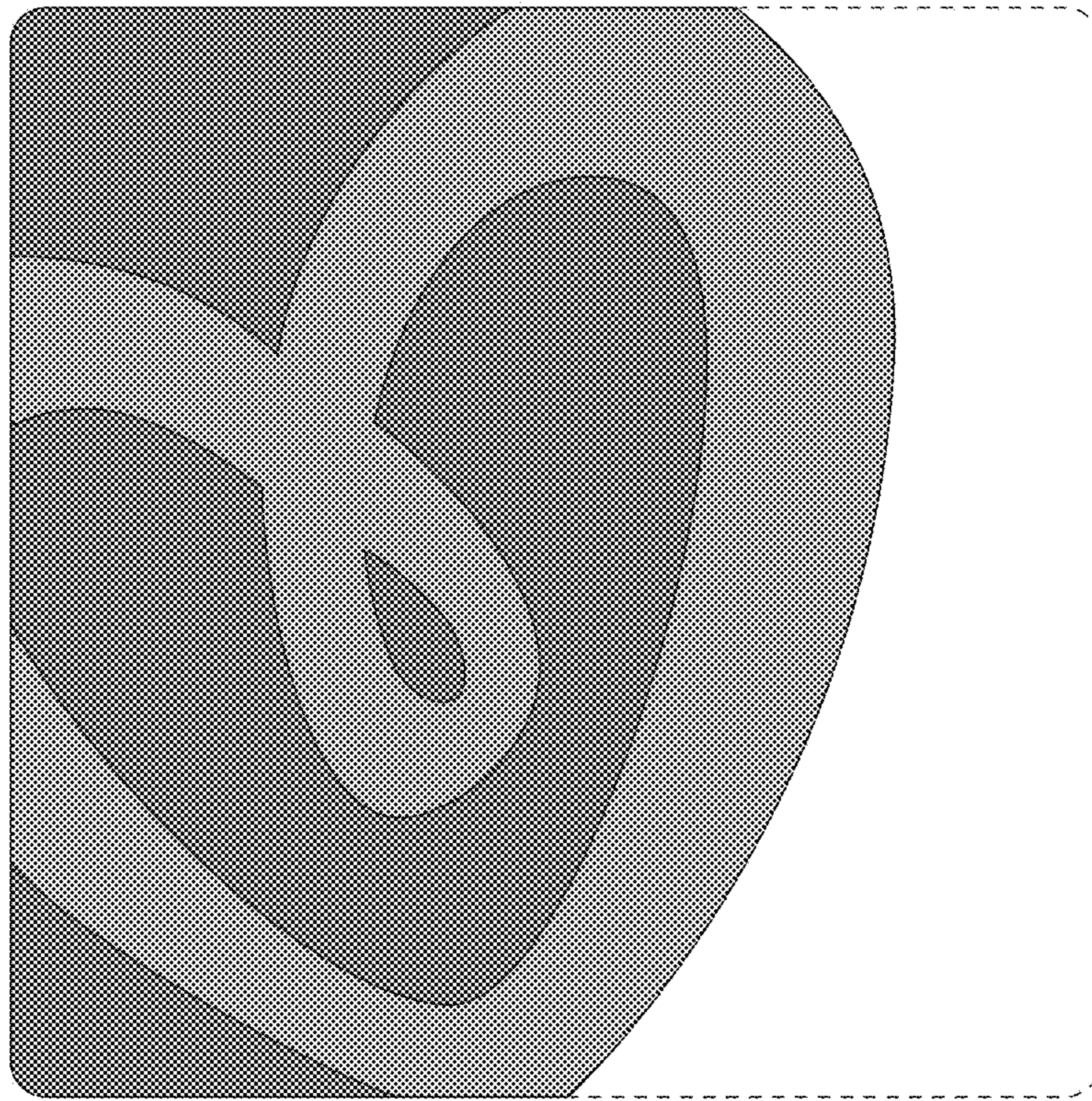


Fig. 9

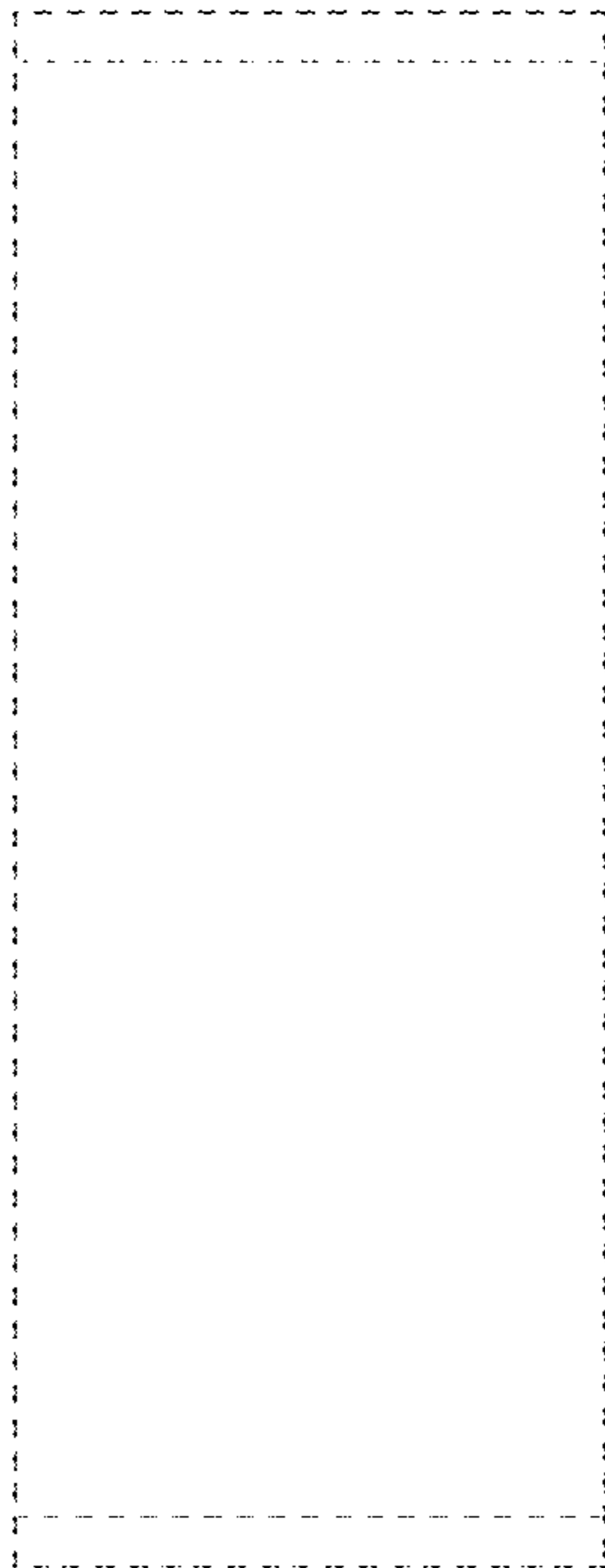


Fig. 10



Fig. 11

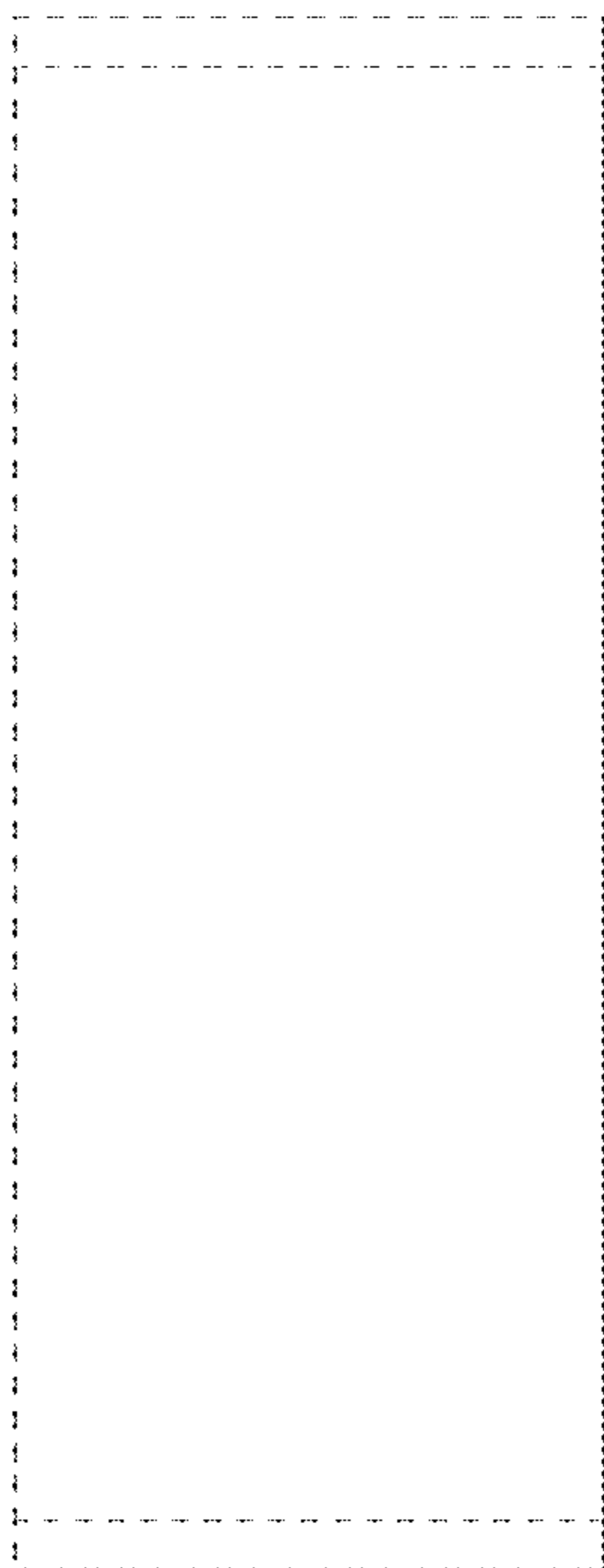


Fig. 12



Fig. 13



Fig. 14