



US00D751912S

(12) **United States Design Patent**
Moreau

(10) **Patent No.:** **US D751,912 S**
(45) **Date of Patent:** **** Mar. 22, 2016**

(54) **DOSING BOTTLE**

(71) Applicant: **Bayer CropScience AG**, Monheim (DE)

(72) Inventor: **Fabrice Moreau**, Tassin la Demi Lune (FR)

(73) Assignee: **Bayer CropScience AG**, Monheim (DE)

(**) Term: **14 Years**

(21) Appl. No.: **29/435,382**

(22) Filed: **Oct. 23, 2012**

(30) **Foreign Application Priority Data**

Apr. 26, 2012 (EM) 002033670-0001
Apr. 26, 2012 (EM) 002033670-0002
Apr. 26, 2012 (EM) 002033670-0003
Apr. 26, 2012 (EM) 002033670-0004

(51) **LOC (10) Cl.** **09-01**

(52) **U.S. Cl.**
USPC **D9/523; D9/683**

(58) **Field of Classification Search**
USPC D7/300, 302, 305, 317, 318, 321, 387,
D7/397, 398, 500, 505, 538, 543, 560, 566,
D7/589, 601; D9/414, 417, 430, 432, 434,
D9/435, 440, 443, 447, 448, 449, 516, 523,
D9/527, 528, 530, 563, 682, 683, 686, 687,
D9/693, 694, 715, 719, 730, 738, 742,
D9/753; D28/91.1; 215/379, 381; 220/660;
222/372, 373, 383.1, 386, 401-402.25

See application file for complete search history.

(56) **References Cited**

U.S. PATENT DOCUMENTS

D168,739 S * 2/1953 Frydlender D28/91.1
D308,825 S * 6/1990 Hoyt D9/523
D512,648 S * 12/2005 Smith et al. D9/702
D579,343 S * 10/2008 Calvo D9/694
D614,037 S * 4/2010 Backs D9/528
D646,974 S * 10/2011 Latour D9/523
2015/0060498 A1 * 3/2015 Moreau 222/454

* cited by examiner

Primary Examiner — Susan Bennett Hattan

Assistant Examiner — Leanne Was

(74) *Attorney, Agent, or Firm* — Jenkins, Wilson, Taylor & Hunt, P.A.

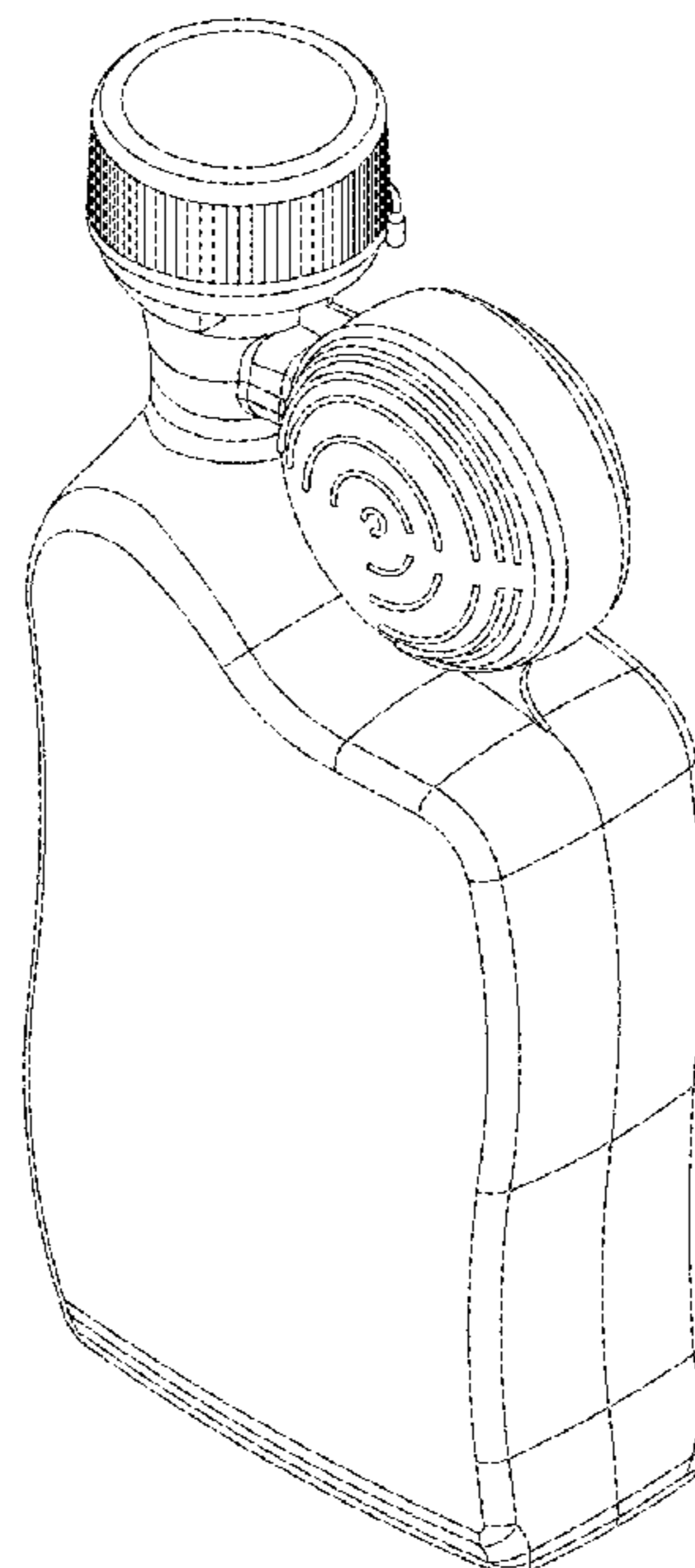
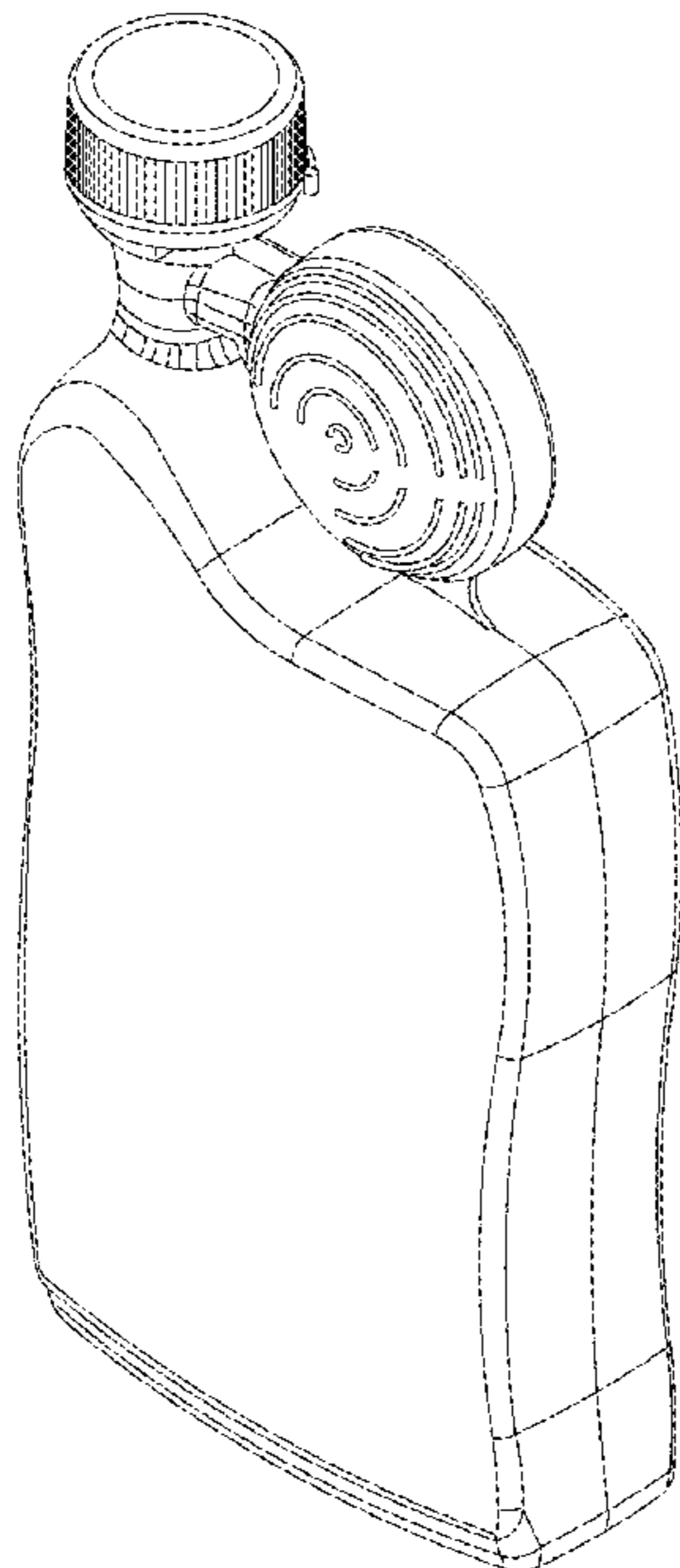
(57) **CLAIM**

The ornamental design for a dosing bottle, as shown and described.

DESCRIPTION

FIG. 1 is a perspective view of a first embodiment of a dosing bottle;
FIG. 2 is a left side view of the dosing bottle of FIG. 1;
FIG. 3 is a right side view of the dosing bottle of FIG. 1;
FIG. 4 is a front view of the dosing bottle of FIG. 1;
FIG. 5 is a rear view of the dosing bottle of FIG. 1;
FIG. 6 is a top view of the dosing bottle of FIG. 1;
FIG. 7 is a perspective view of a second embodiment of a dosing bottle;
FIG. 8 is a left side view of the dosing bottle of FIG. 7;
FIG. 9 is a right side view of the dosing bottle of FIG. 7;
FIG. 10 is a front view of the dosing bottle of FIG. 7;
FIG. 11 is a rear view of the dosing bottle of FIG. 7; and,
FIG. 12 is a top view of the dosing bottle of FIG. 7.

1 Claim, 10 Drawing Sheets



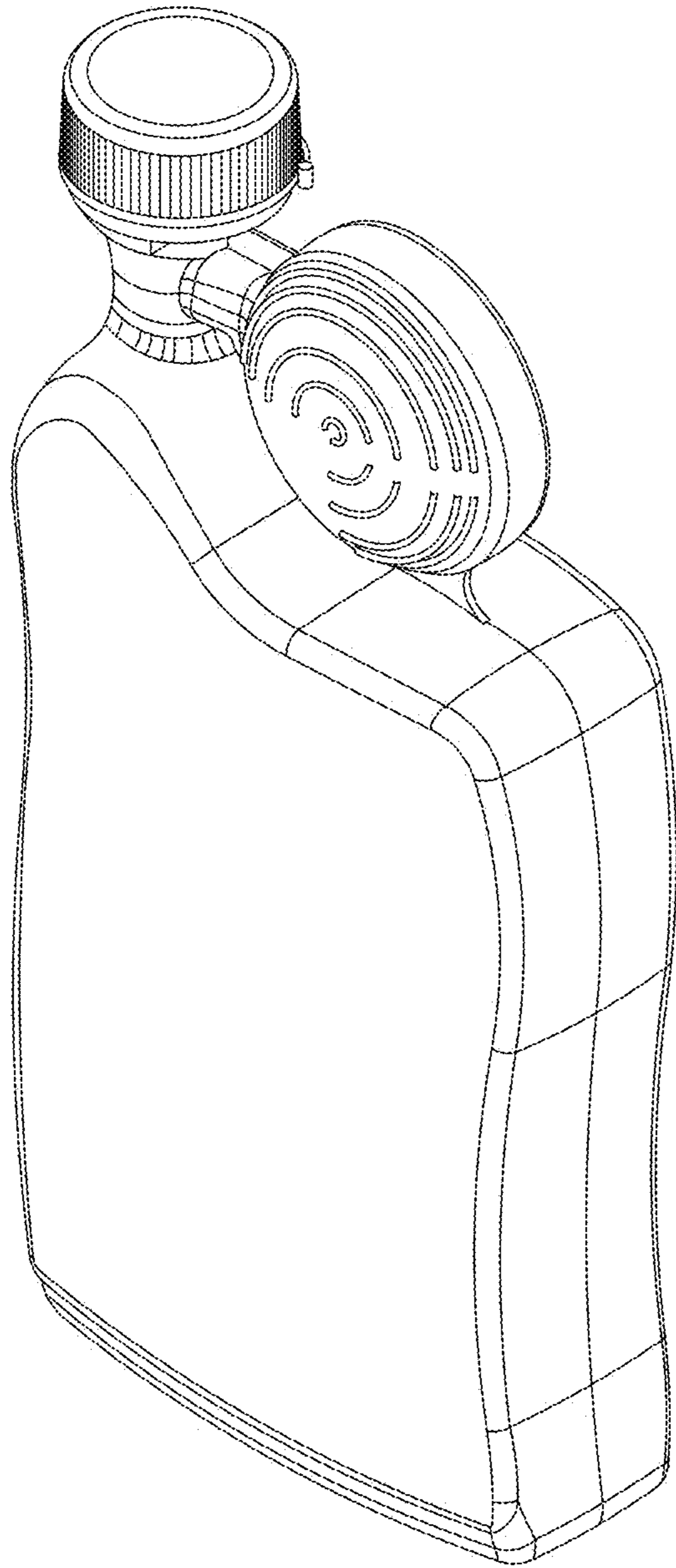


FIG. 1

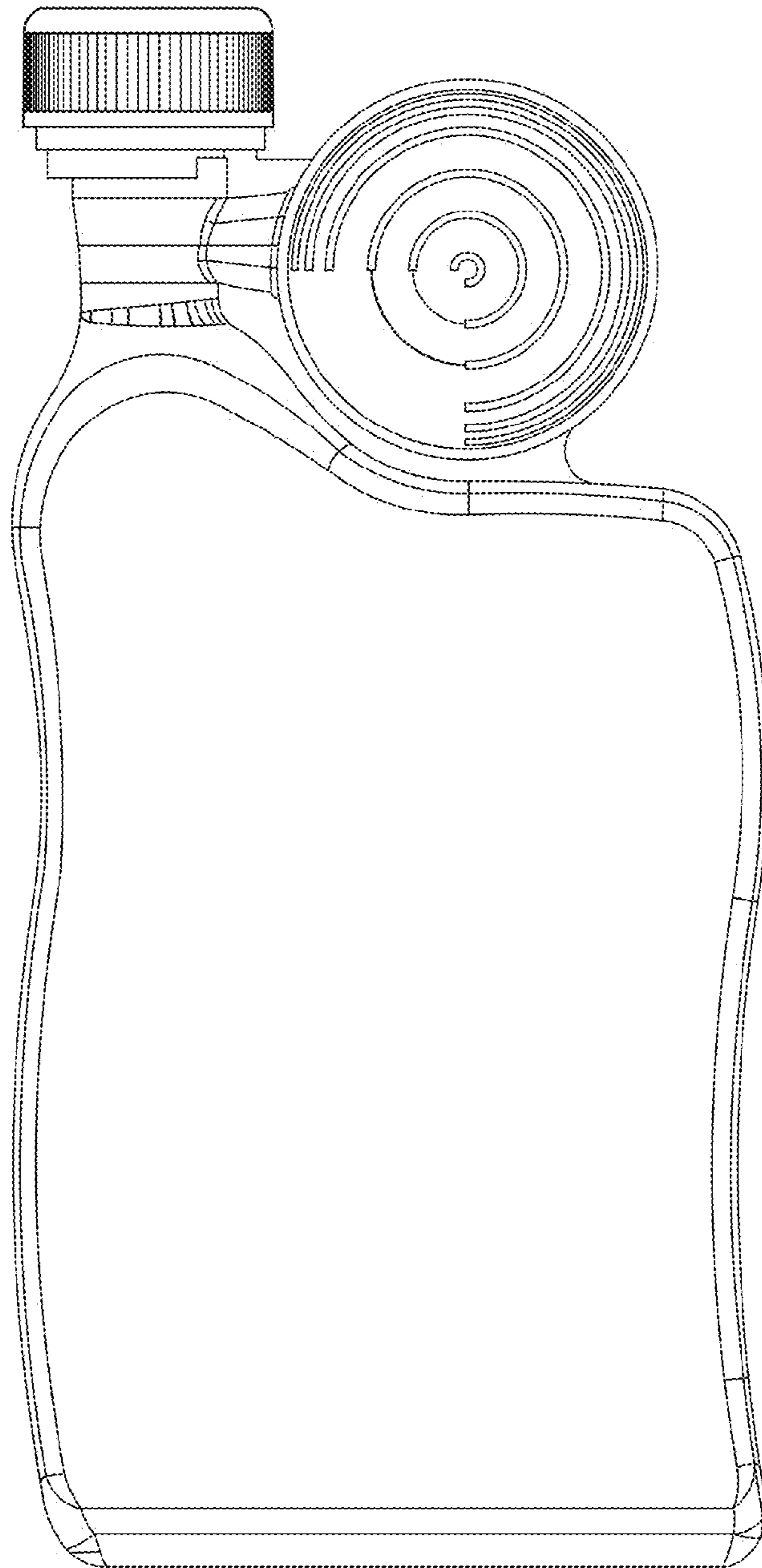


FIG. 2

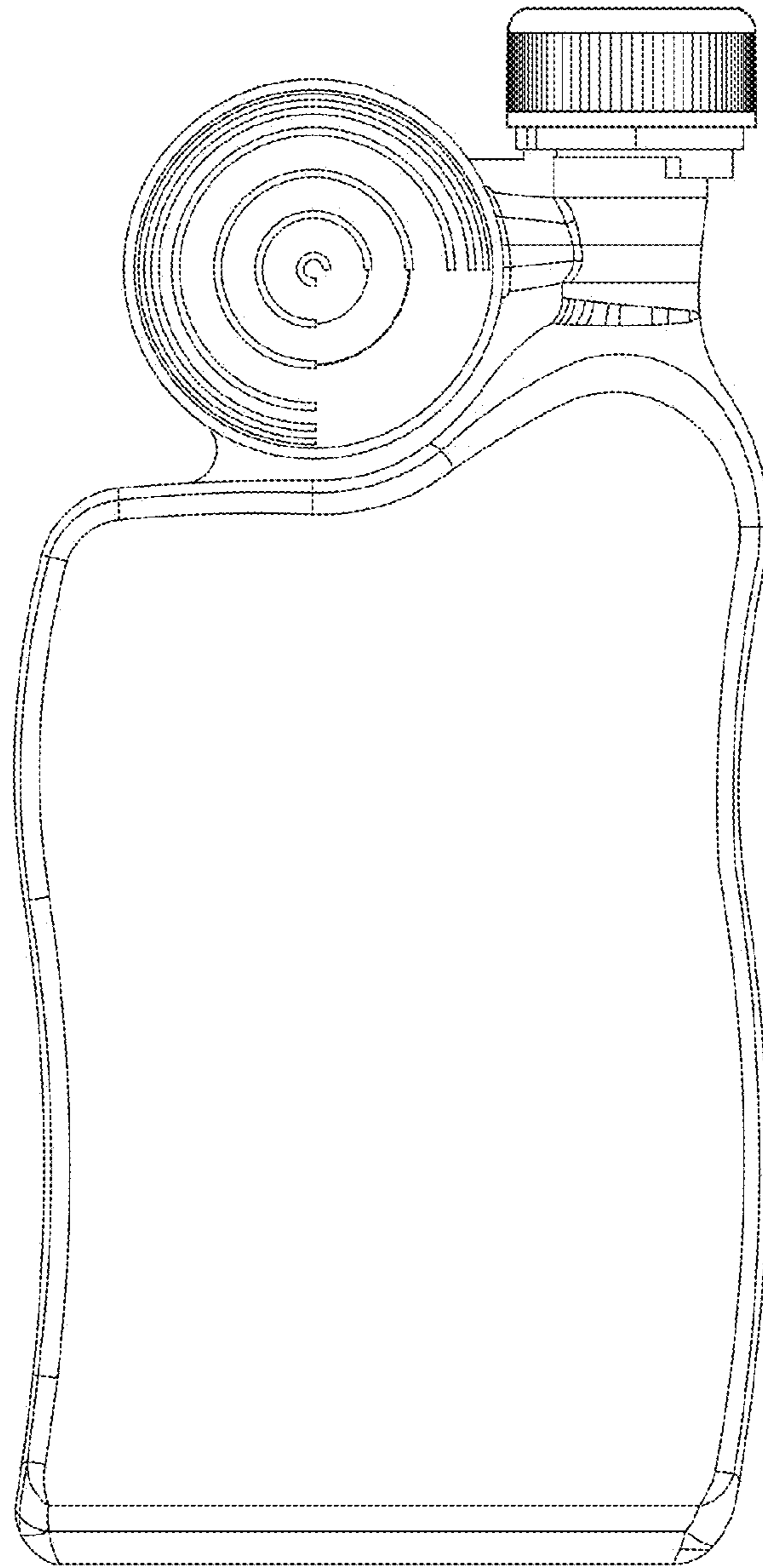


FIG. 3

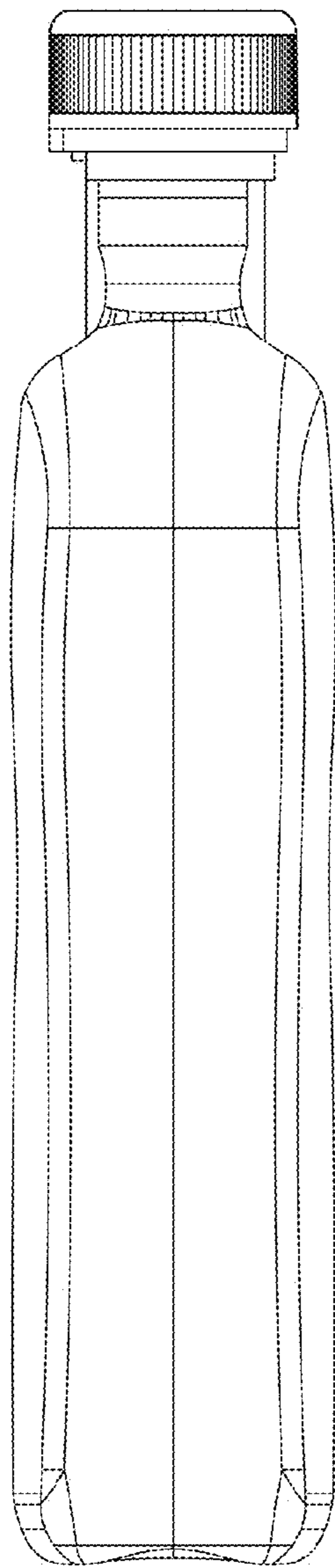


FIG. 4

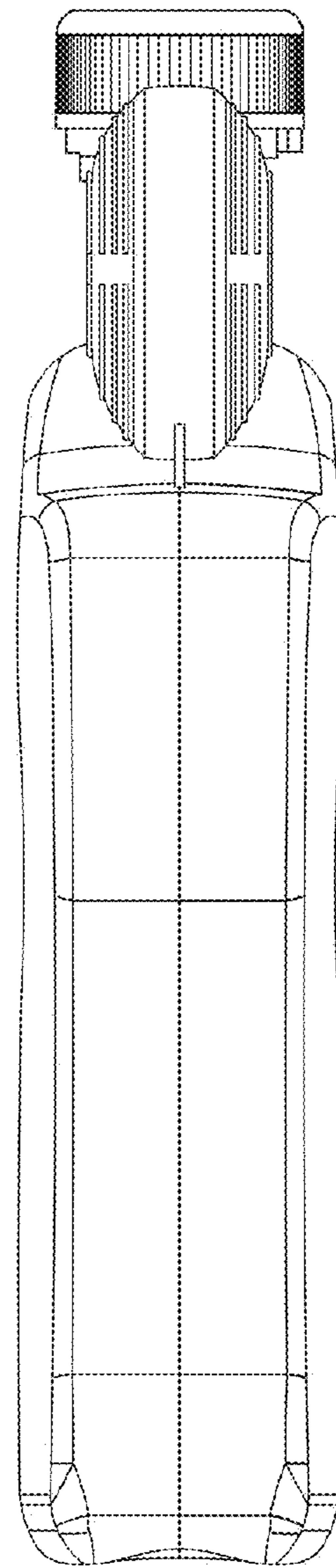


FIG. 5

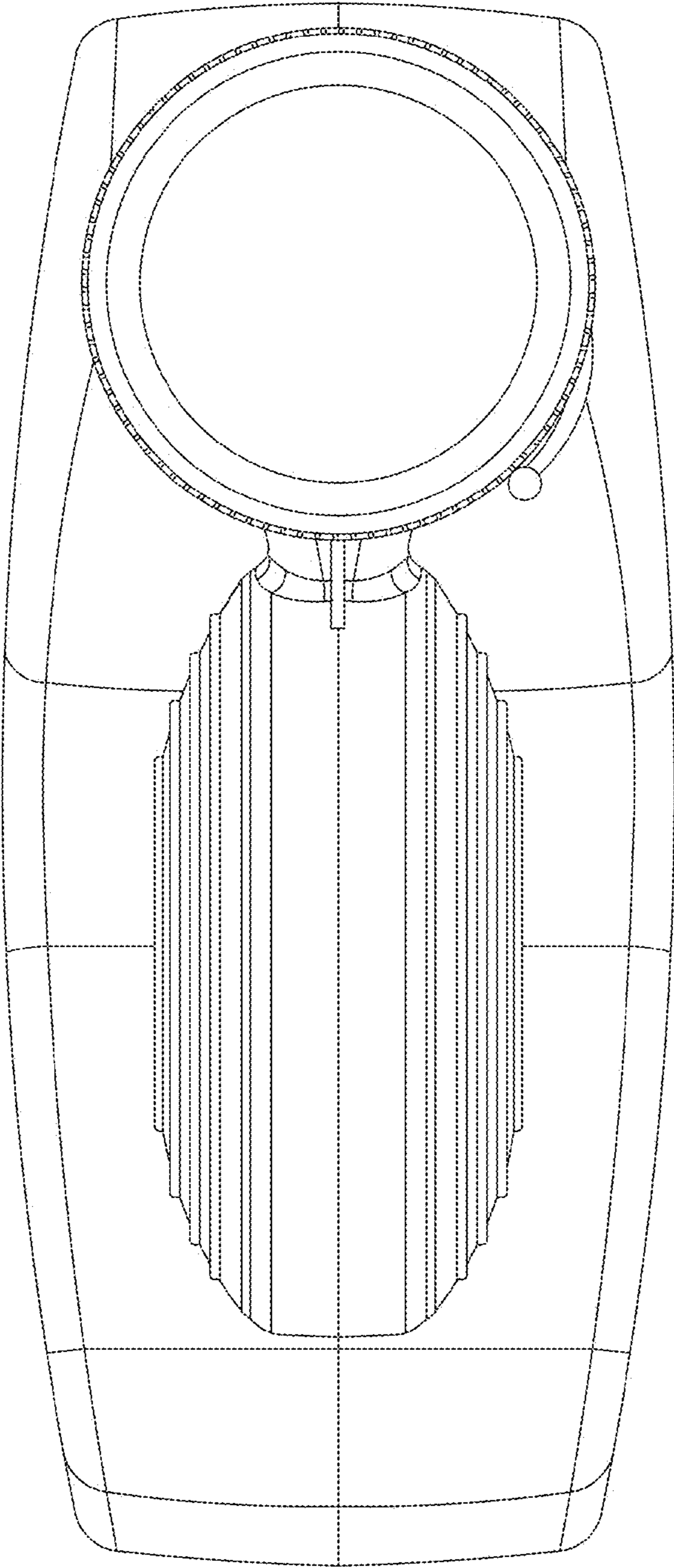


FIG. 6

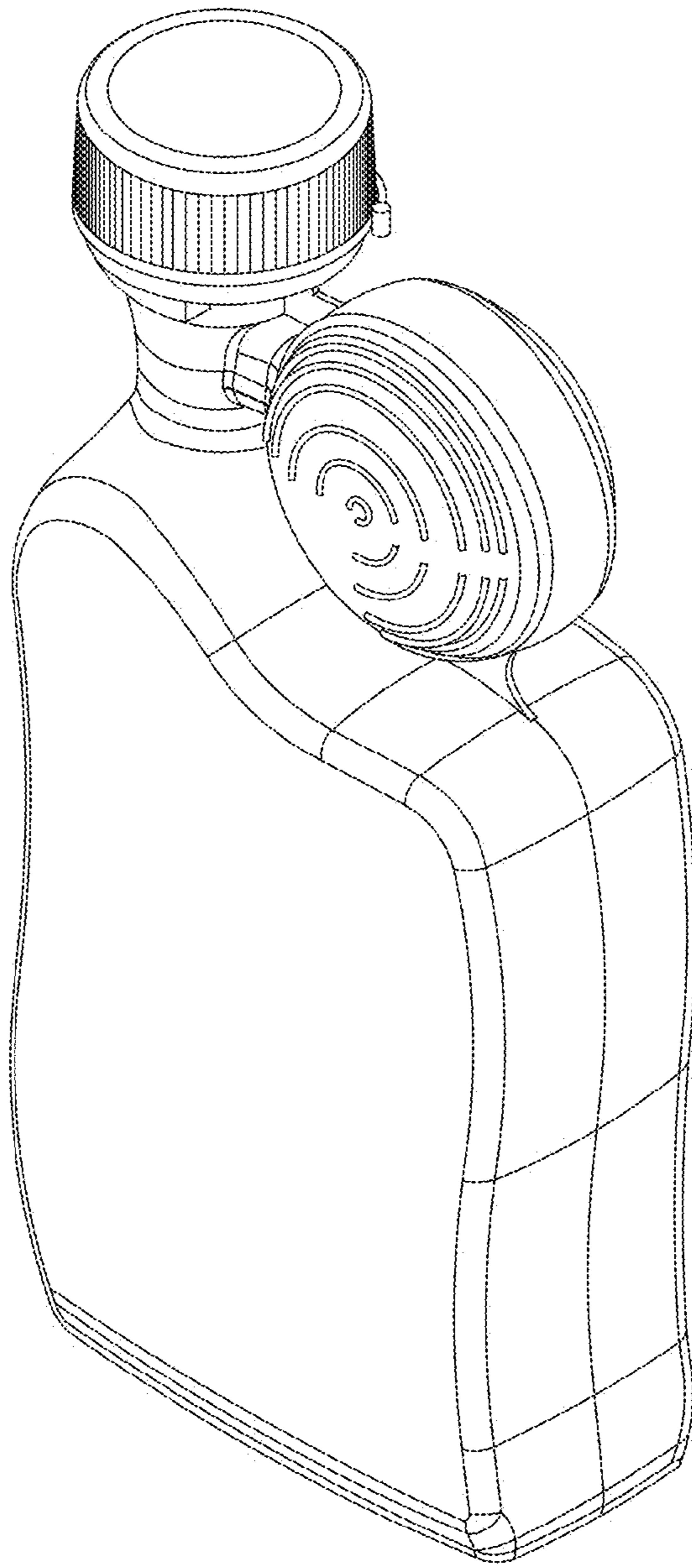


FIG. 7

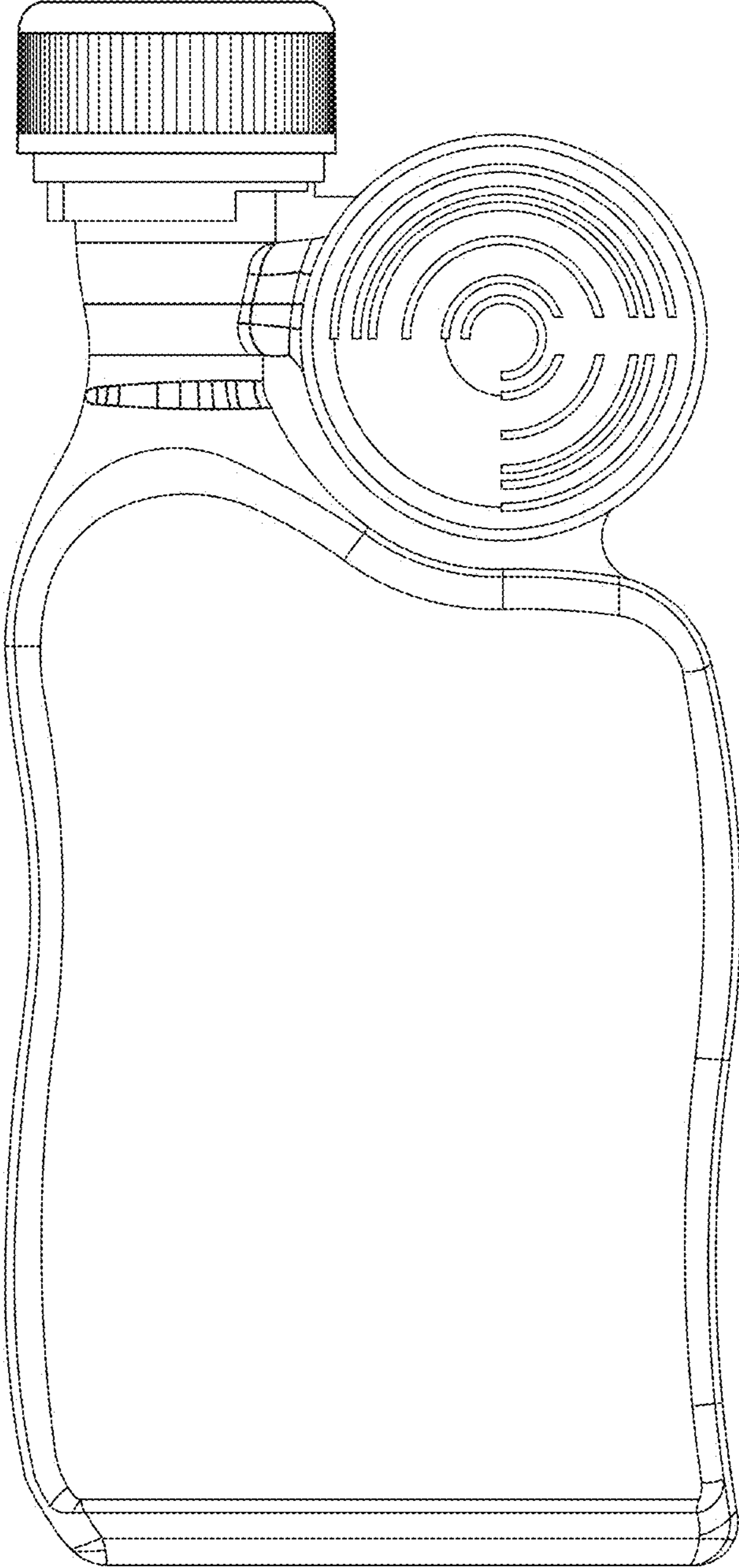


FIG. 8

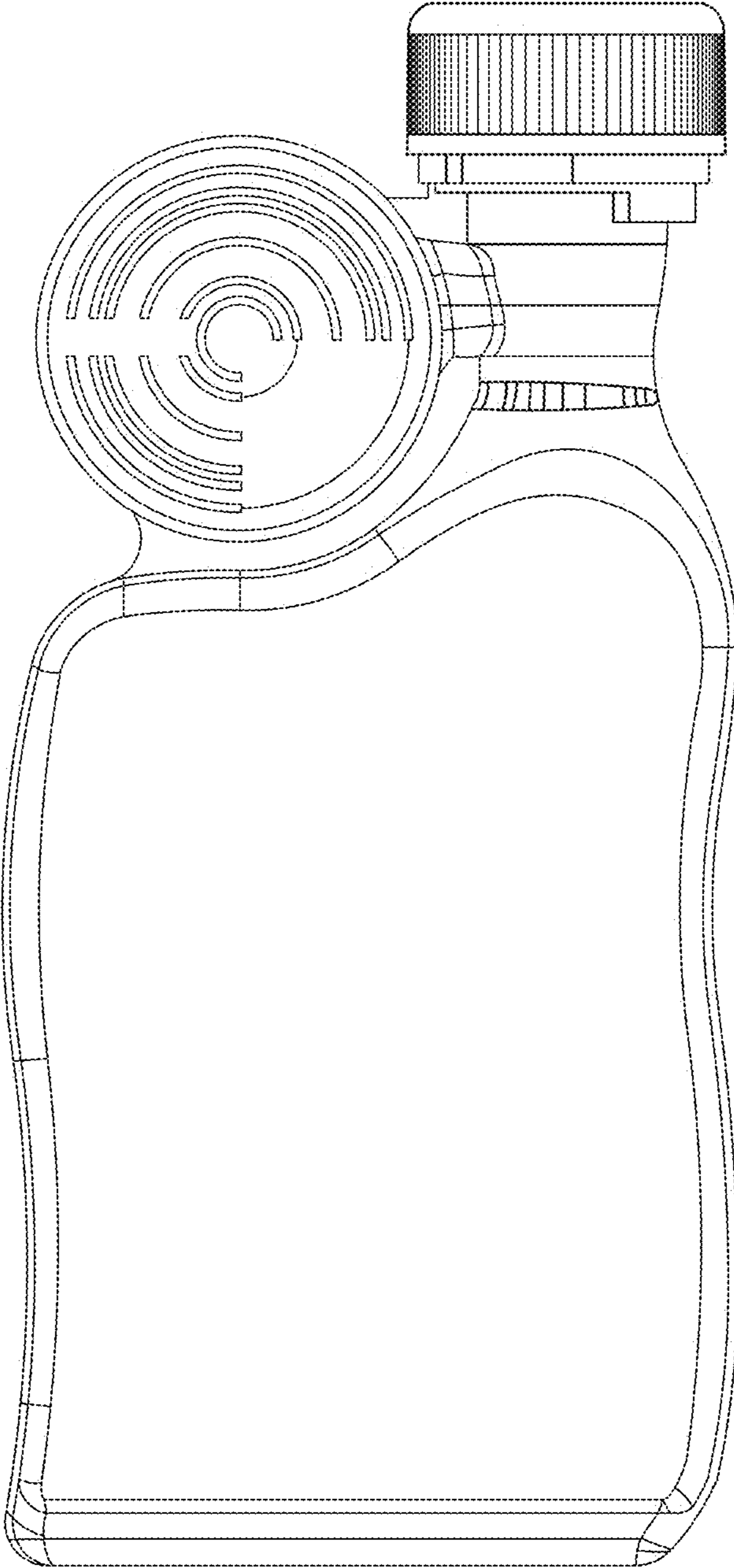


FIG. 9

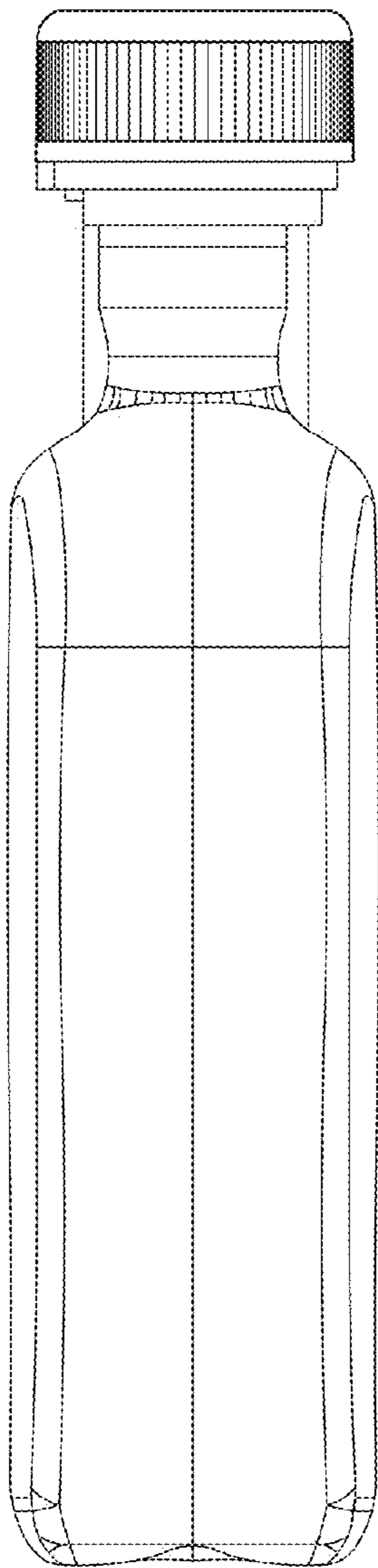


FIG. 10

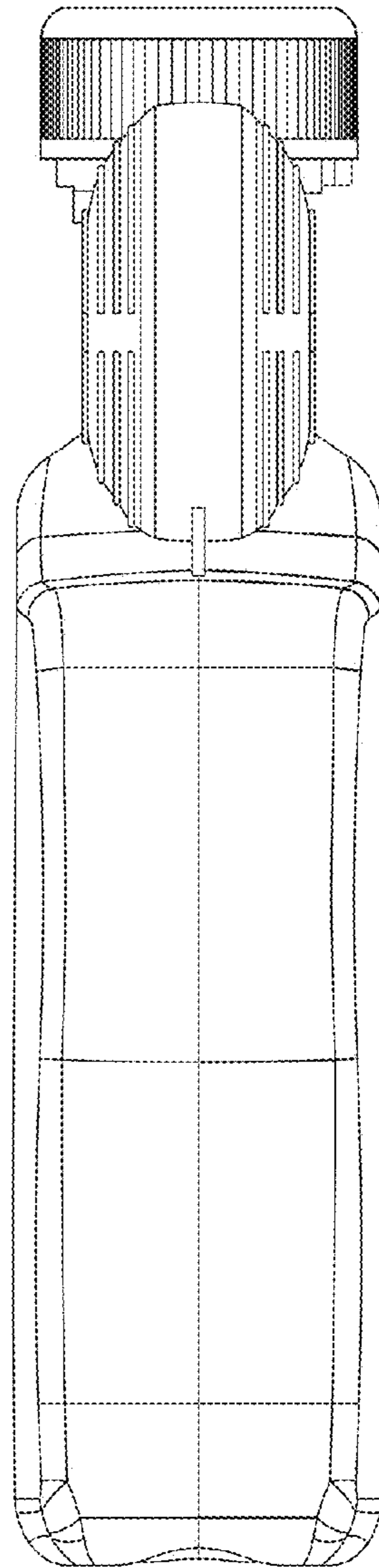


FIG. 11

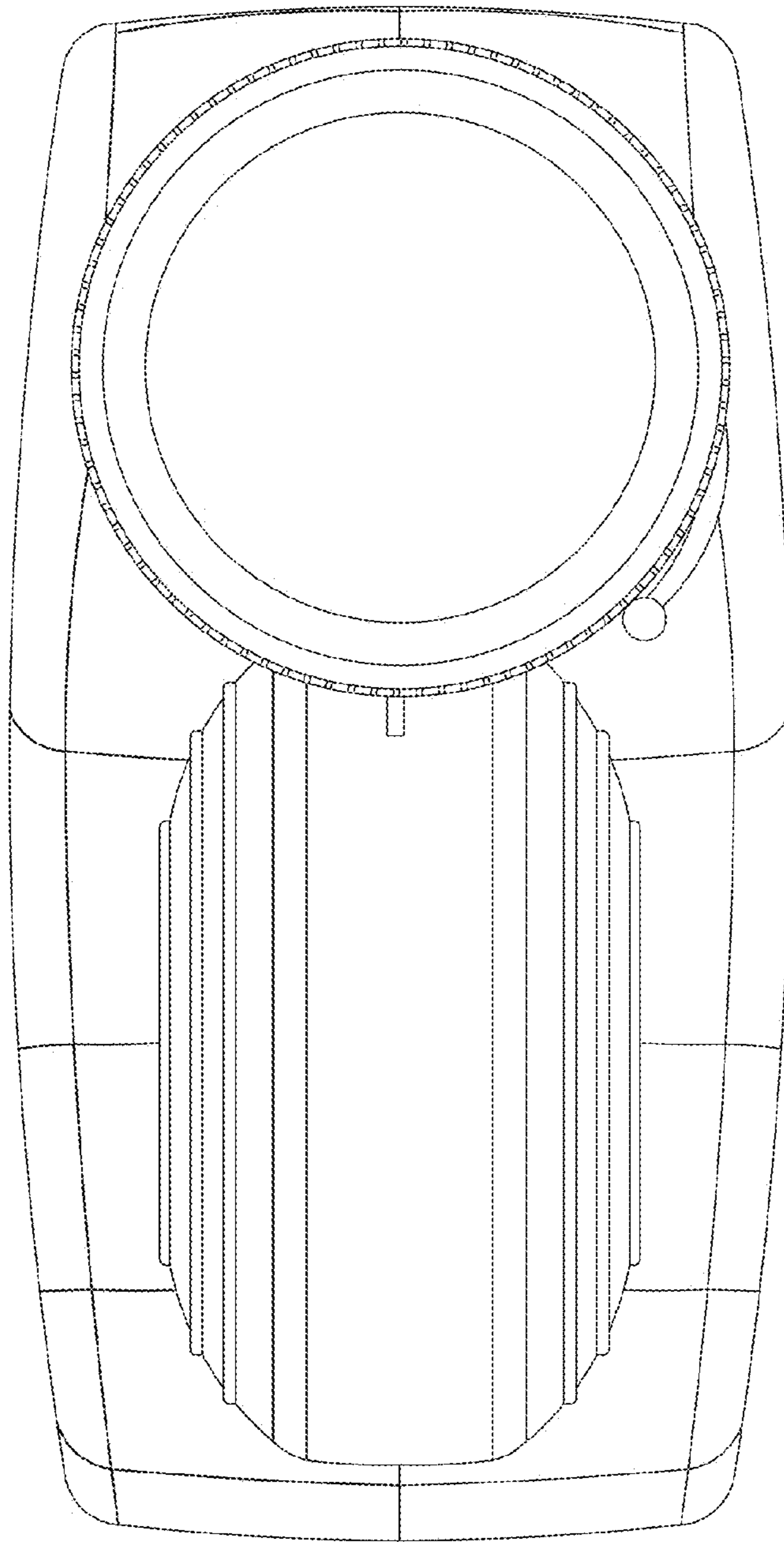


FIG. 12