



US00D751909S

(12) **United States Design Patent**  
**Deyerl et al.**

(10) **Patent No.:** **US D751,909 S**  
(45) **Date of Patent:** **\*\* Mar. 22, 2016**

- (54) **BOTTLE NECK**
- (71) Applicant: **KRONES AG**, Neutraubling (DE)
- (72) Inventors: **Heinrich Deyerl**, Teunz (DE); **Gerhard Schuster**, Pfakofen (DE); **Bastian Tissmer**, Regensburg (DE)
- (73) Assignee: **KRONES AG** (DE)
- (\*\*) Term: **14 Years**
- (21) Appl. No.: **29/513,213**
- (22) Filed: **Dec. 29, 2014**

5,598,941 A	2/1997	Semersky et al. ....	215/384
D379,763 S	6/1997	Ewing .....	D9/520
D395,826 S	7/1998	Hygaard .....	D9/520
D408,288 S *	4/1999	Wilson .....	D9/531
5,971,184 A	10/1999	Krishnakumar et al. ....	215/384
6,044,996 A	4/2000	Carew et al. ....	215/381
6,230,912 B1 *	5/2001	Rashid .....	B65D 1/0223 215/382
D455,351 S	4/2002	Bailey .....	D9/549
D489,991 S	5/2004	Deubel et al. ....	D9/538

(Continued)

FOREIGN PATENT DOCUMENTS

CN	2841544	11/2006
DE	17 22 082	5/1956

(Continued)

OTHER PUBLICATIONS

Chinese Office Action issued in corresponding Chinese Patent Application Serial No. 2009101755436, dated Mar. 5, 2012 (9 pgs).

(Continued)

**Related U.S. Application Data**

- (62) Division of application No. 29/437,997, filed on Nov. 23, 2012, now Pat. No. Des. 720,226.

**Foreign Application Priority Data**

- Jun. 29, 2012 (DE) ..... 10 2012 105 778
- Sep. 14, 2012 (EM) ..... 002103432

- (51) **LOC (10) Cl.** ..... **09-01**

- (52) **U.S. Cl.**  
USPC ..... **D9/516**

- (58) **Field of Classification Search**  
USPC ..... D9/516, 503-505, 530, 538, 541,  
D9/545-546, 549; 215/40, 44, 50, 400  
CPC ..... B65D 1/02; B65D 1/023; B65D 1/0223  
See application file for complete search history.

(56) **References Cited**

U.S. PATENT DOCUMENTS

3,727,783 A	4/1973	Carmichael .....	315/1 C
D237,586 S	11/1975	Plummer .....	D9/503
5,178,289 A	1/1993	Krishnakumar et al. ....	215/1 C
D355,601 S	2/1995	Buettner et al. ....	D9/503

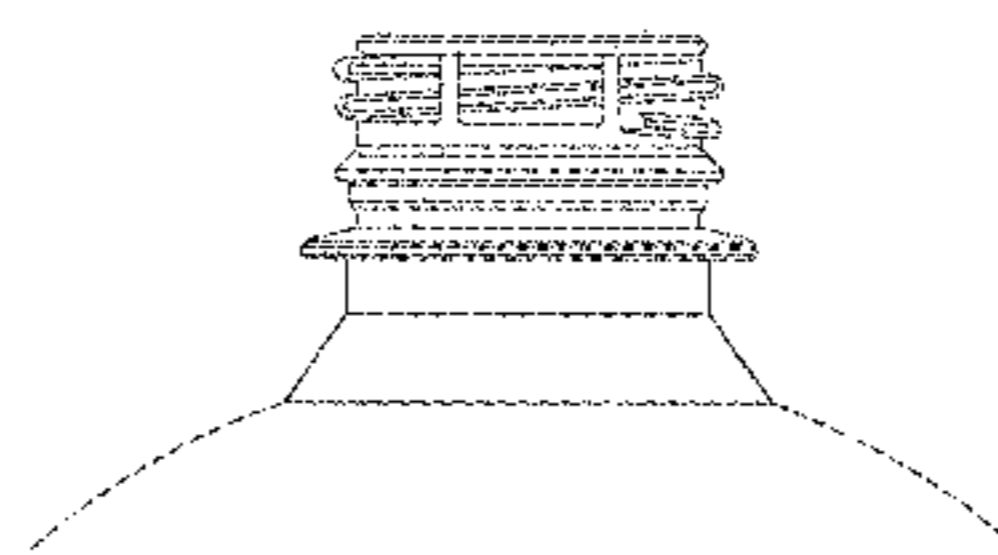
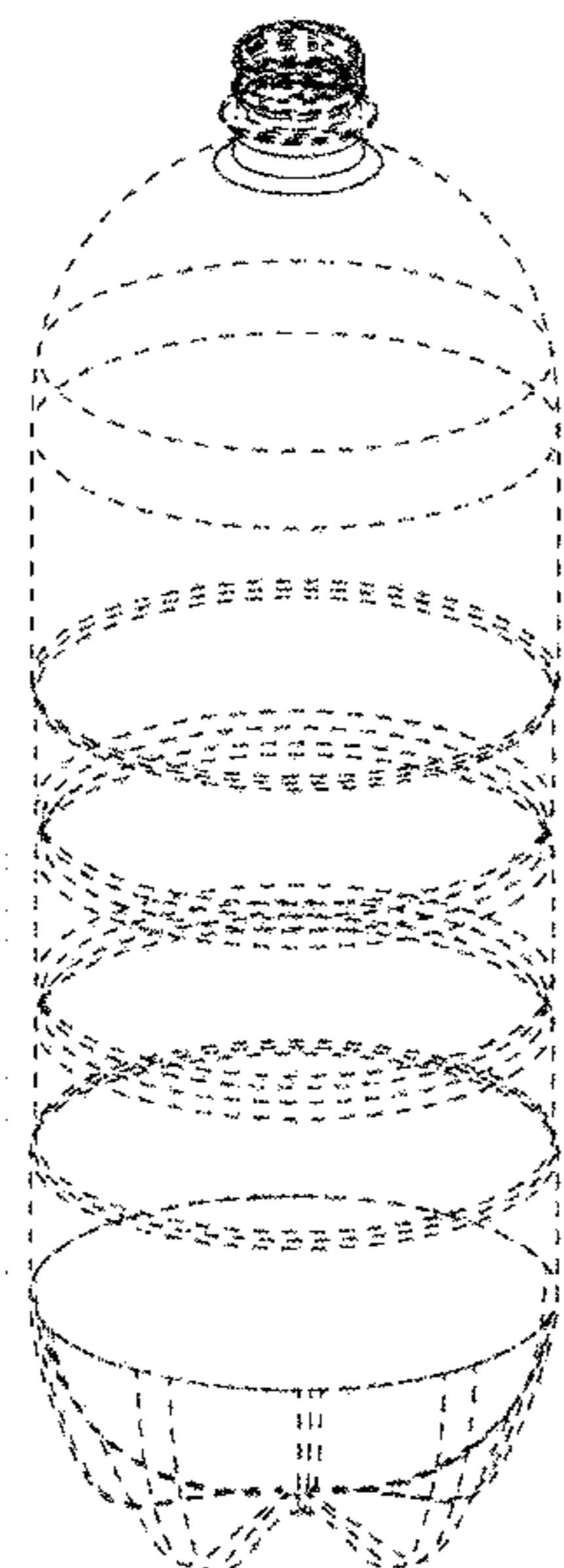
*Primary Examiner* — Wan Laymon  
(74) *Attorney, Agent, or Firm* — Hayes Soloway P.C.

- (57) **CLAIM**  
The ornamental design for a bottle neck, as shown and described.

**DESCRIPTION**

FIG. 1 is a front view of a bottle showing our design, the back view being a mirror image thereof;  
FIG. 2 is a top perspective view;  
FIG. 3 is a top plan view; and,  
FIG. 4 is an enlarged fragmentary front view.  
The broken lines shown in the figures represent portions of the bottle neck that form no part of the claimed design.

**1 Claim, 4 Drawing Sheets**



(56)

References Cited

U.S. PATENT DOCUMENTS

D505,864 S	6/2005	Snyder	.....	D9/542
6,964,347 B2	11/2005	Miura	.....	215/384
7,051,892 B1 *	5/2006	O'Day, Jr.	.....	B65D 1/0223 215/10
D542,142 S	5/2007	Walton et al.	.....	D9/539
D546,687 S	7/2007	Boukobza	.....	D9/516
7,334,695 B2 *	2/2008	Bysick	.....	B65D 1/0223 215/371
D568,754 S	5/2008	Sequeira	.....	D9/560
D570,217 S	6/2008	Meillerais	.....	D9/520
7,416,088 B2	8/2008	Boukobza	.....	215/373
D583,245 S	12/2008	Lepoitevin	.....	D9/538
D595,581 S	7/2009	Brunson	.....	D9/520
D600,559 S	9/2009	Lepoitevin	.....	D9/538
D601,903 S	10/2009	Lepoitevin	.....	D9/538
D606,410 S	12/2009	Kissinger et al.	.....	D9/516
D607,733 S	1/2010	Lepoitevin	.....	D9/538
D610,017 S	2/2010	Howell et al.	.....	D9/538
7,694,842 B2 *	4/2010	Melrose	.....	B65D 1/0223 215/381
7,757,874 B2	7/2010	Ross	.....	215/381
D621,271 S	8/2010	Soni	.....	D9/516
D623,077 S	9/2010	Herrmann et al.	.....	D9/719
D624,821 S	10/2010	Leonardis	.....	D9/503
D639,678 S	6/2011	Herrmann	.....	D9/719
D644,515 S	9/2011	Tieleman et al.	.....	D9/516
D650,677 S	12/2011	Wurster et al.	.....	D9/516
D653,549 S	2/2012	Holtz et al.	.....	D9/535
8,109,398 B2 *	2/2012	Lewis	.....	B65D 1/0223 215/381
D668,157 S	10/2012	Colloud	.....	D9/538
8,308,006 B2	11/2012	Nievierowski et al.	.....	215/381
D682,114 S	5/2013	Kraus et al.	.....	D9/554
D685,031 S	6/2013	Holtz et al.	.....	D20/22
D705,068 S	5/2014	Janssen et al.	.....	D9/516
D720,225 S	12/2014	Gieske et al.	.....	D9/503
2004/0195199 A1	10/2004	Maki et al.	.....	215/381
2007/0262046 A1	11/2007	Zoppas	.....	215/375
2010/0006533 A1	1/2010	Nievierowski et al.	.....	215/381
2010/0206838 A1	8/2010	Mast et al.	.....	215/382
2011/0309090 A1	12/2011	Derrien et al.	.....	220/600
2013/0213925 A1	8/2013	Forsthovel et al.	.....	215/370
2015/0008210 A1	1/2015	Oshino et al.	.....	215/373
2015/0151869 A1 *	6/2015	Dominguez	.....	B65D 1/02 215/40

FOREIGN PATENT DOCUMENTS

DE	2 160 085	6/1973
DE	106330	2/1975
DE	69825632	9/2005

DE	60202450	2/2006
DE	602004010814	12/2008
FR	1594446	6/1970
FR	2 753 435	3/1998
JP	6-270929	9/1994
JP	08072843	3/1996
WO	WO 2006/067590	6/2006
WO	WO 2008/017746	2/2008

OTHER PUBLICATIONS

European Search Report issued in corresponding European Patent Application Serial No. 09 170 284.0, dated Nov. 9, 2011 (2 pgs).

German Search Report issued in corresponding German Patent Application Serial No. 10 2012 105 778.8 dated Mar. 20, 2013 (5 pgs).

US Official Action issued in corresponding U.S. Appl. No. 12/560,301, dated Aug. 3, 2012 (23 pgs).

US Official Action issued in corresponding U.S. Appl. No. 12/560,301 dated Feb. 8, 2013 (14 pgs).

Office Action issued in related U.S. Appl. No. 12/560,301 dated May 21, 2013 (14 pgs).

Notice of Allowance issued in related U.S. Appl. No. 29/434,884, dated Jan. 3, 2014 (23 pgs).

Notice of Allowance issued in related U.S. Appl. No. 29/435,269, dated Jan. 7, 2014 (24 pgs).

Office Action issued in related U.S. Appl. No. 13/931,304, dated Jan. 31, 2014 (20 pgs).

Office Action issued in related U.S. Appl. No. 29/437,997, dated Feb. 6, 2014 (25 pgs).

Office Action issued in related U.S. Appl. No. 29/437,997, dated Mar. 24, 2014 (15 pgs).

Office Action issued in related U.S. Appl. No. 12/560,301, dated Nov. 22, 2013 (15 pgs).

Office Action issued in related U.S. Appl. No. 13/931,304, dated Aug. 11, 2014 (10 pgs).

Office Action issued in related U.S. Appl. No. 12/560,301, dated Sep. 11, 2014 (25 pgs).

European Office Action issued in related application No. 13 174 550.7, dated Sep. 3, 2014 (4 pgs).

Office Action issued in related U.S. Appl. No. 13/931,304, dated Nov. 7, 2014 (16 pgs).

Chinese Office Action issued in related application No. 201310272183.8, dated Jan. 19, 2015 (2 pgs).

Notice of Allowance issued in U.S. Appl. No. 13/931,304, dated Mar. 23, 2015 (12 pgs).

Office Action issued in U.S. Appl. No. 12/560,301, dated Feb. 12, 2015 (19 pgs).

Office Action issued in U.S. Appl. No. 29/434,880, dated Mar. 23, 2015 (49 pgs).

\* cited by examiner

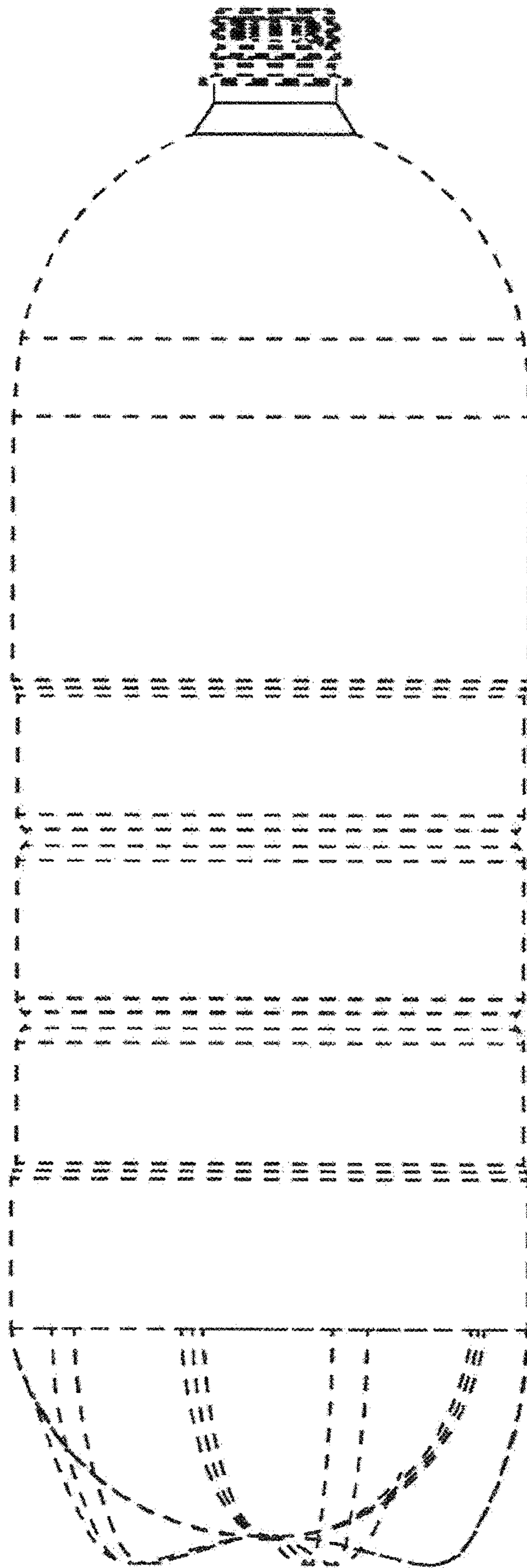


Fig. 1

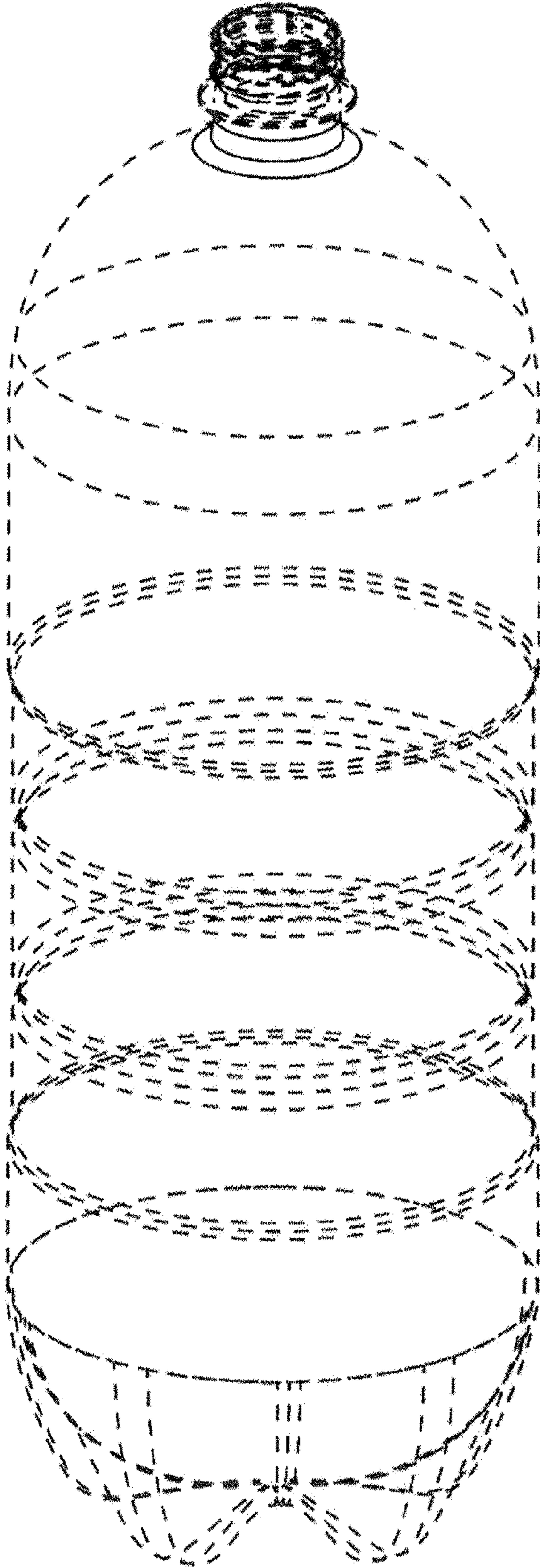


Fig. 2

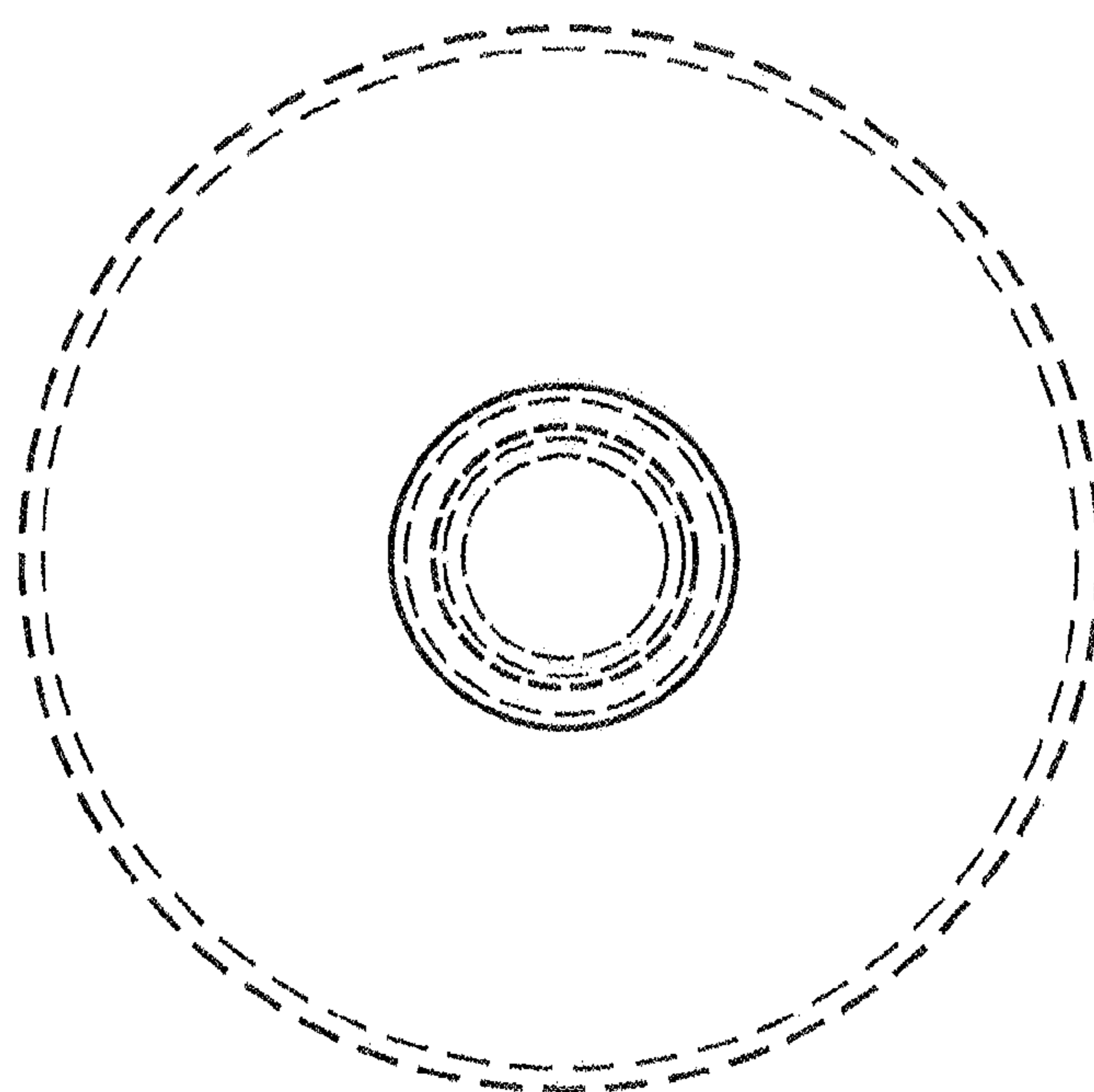


Fig. 3

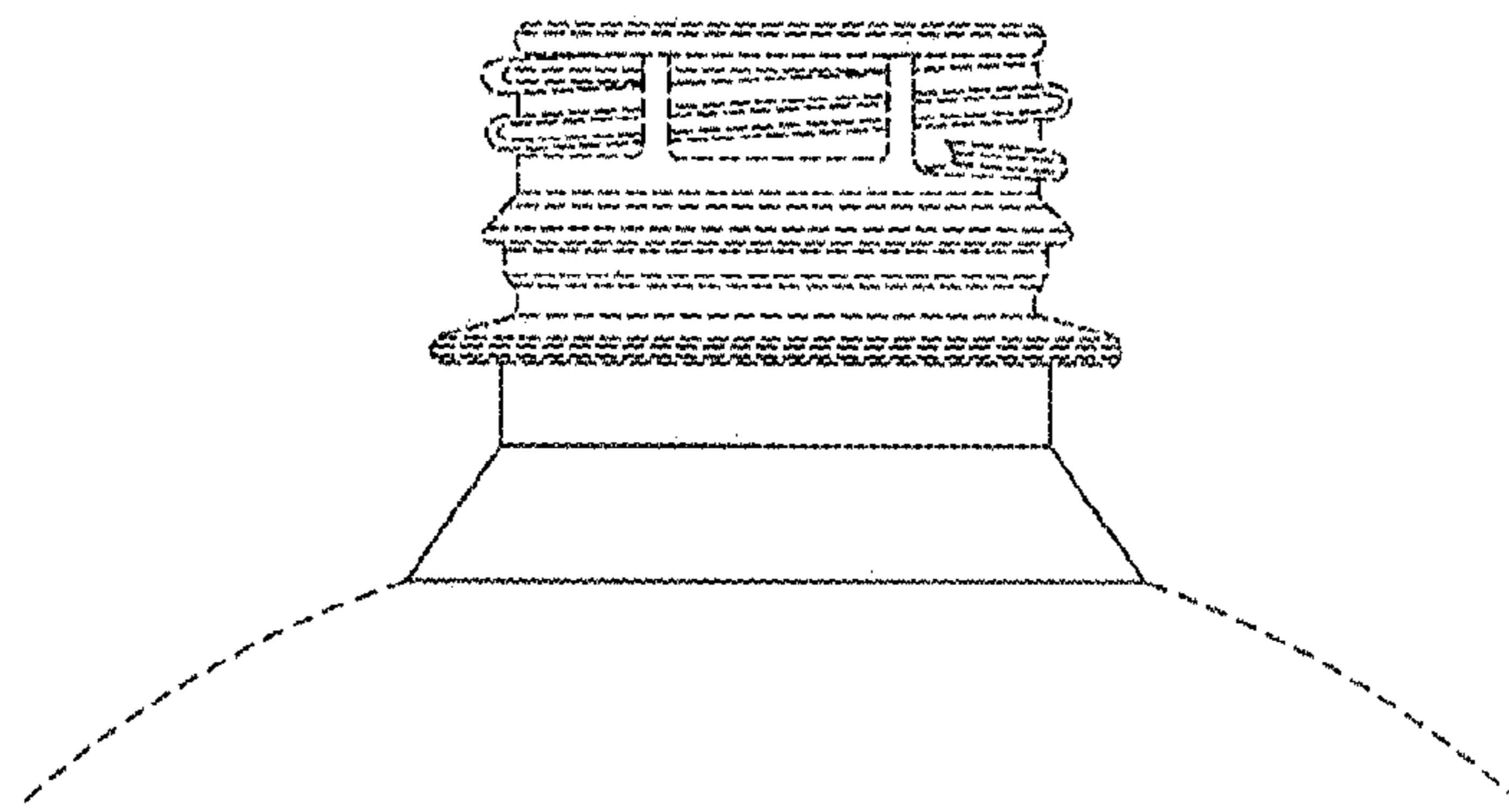


Fig. 4