

US00D751907S

(12) **United States Design Patent**
Donadee et al.

(10) **Patent No.:** **US D751,907 S**
(45) **Date of Patent:** **** Mar. 22, 2016**

- (54) **HANDLE FOR CARRYING A FLOOR COVERING SAMPLE**
- (71) Applicant: **Mohawk Carpet Distribution, Inc.**, Calhoun, GA (US)
- (72) Inventors: **Jacob Donadee**, Philadelphia, PA (US); **Gregg Hlade**, West Deptford, NJ (US); **Joseph Roan**, Media, PA (US); **Sean E. Monahan**, Audubon, NJ (US); **Ivan Letinic**, Manalapan, NJ (US)
- (73) Assignee: **Mohawk Carpet Distribution, Inc.**, Calhoun, GA (US)
- (**) Term: **14 Years**
- (21) Appl. No.: **29/510,161**
- (22) Filed: **Nov. 25, 2014**
- (51) **LOC (10) Cl.** **09-99**
- (52) **U.S. Cl.**
USPC **D9/499**; D9/434
- (58) **Field of Classification Search**
USPC D7/387, 395, 632; D8/373, 376, 380, D8/394; D9/434, 435, 436, 437, 443, 444, D9/445, 455, 456, 457, 499; D20/99; D32/45; 40/603, 606.13, 610, 617; 215/396; 220/4.26; 292/87
CPC G09F 7/18; G09F 15/0018
See application file for complete search history.

- D578,574 S * 10/2008 Lundgren D20/99
- D682,079 S * 5/2013 Chou D8/380
- 9,142,150 B2 * 9/2015 Logan G09F 7/18
- 2004/0163295 A1 * 8/2004 Fontana A47B 97/02
40/617
- 2005/0184530 A1 * 8/2005 Broadhead E05B 73/0023
292/87
- 2007/0209261 A1 * 9/2007 Stover G09F 7/18
40/617

* cited by examiner

Primary Examiner — Robert M Spear

Assistant Examiner — Darcey E Heflin

(74) *Attorney, Agent, or Firm* — Alston & Bird LLP

(57) **CLAIM**

The ornamental design for a handle for carrying a floor covering sample, as shown and described.

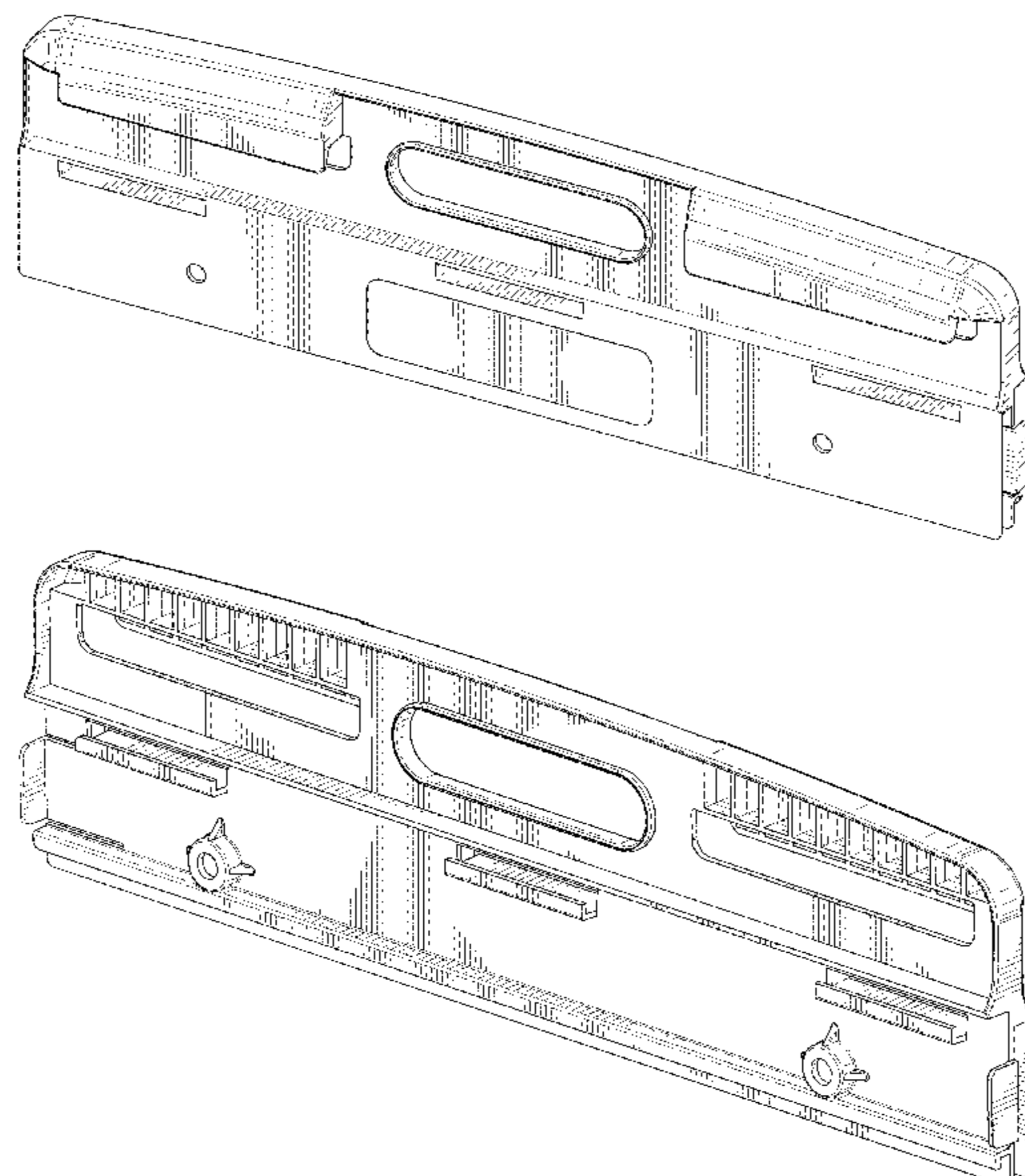
DESCRIPTION

FIG. 1 is a rear perspective view of a handle for carrying a floor cover sample according to our invention;
 FIG. 2 is a front perspective view of a handle for carrying a floor covering sample according to our invention;
 FIG. 3 is a plan view of the handle for carrying a floor covering sample in FIG. 1;
 FIG. 4 is a plan view of the handle for carrying a floor covering sample in FIG. 2;
 FIG. 5 is a right side elevation of the handle for carrying a floor covering sample in FIG. 1;
 FIG. 6 is a left side elevation of the handle for carrying a floor covering sample in FIG. 1;
 FIG. 7 is a top plan view of the handle for carrying a floor covering sample in FIG. 1; and,
 FIG. 8 is a bottom plan view of the handle for carrying a floor covering sample in FIG. 1.
 The broken lines in the drawings form no part of the claimed design.

1 Claim, 6 Drawing Sheets

(56) **References Cited**
U.S. PATENT DOCUMENTS

- D222,239 S * 10/1971 Chan 383/15
- D222,767 S * 12/1971 Alfano D9/434
- D278,974 S * 5/1985 Ray D9/434
- D372,864 S * 8/1996 Hansen D9/434
- D454,594 S * 3/2002 Brozak, Jr. D20/99
- D463,279 S * 9/2002 Piazza D9/434



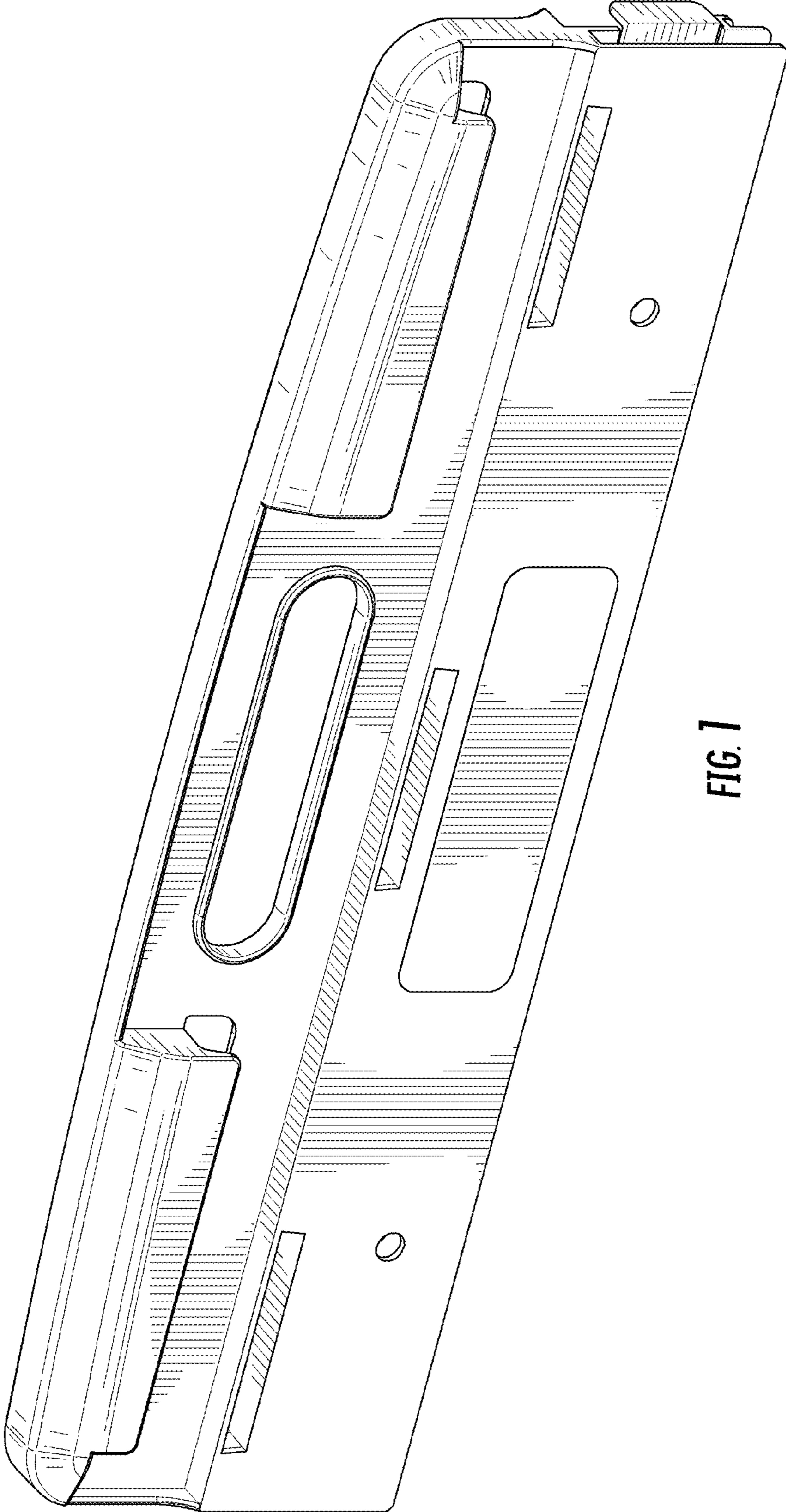


FIG. 1

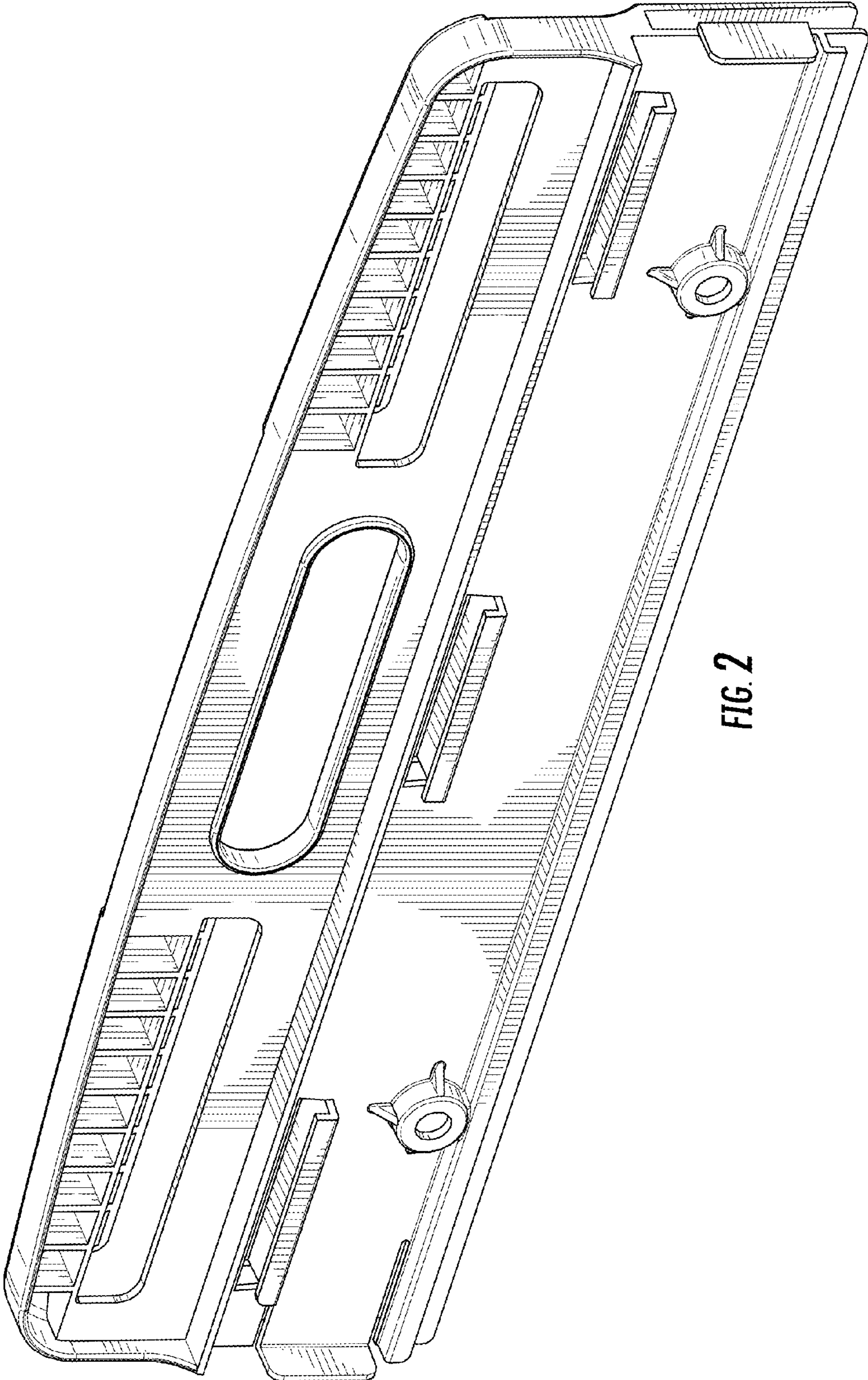


FIG. 2

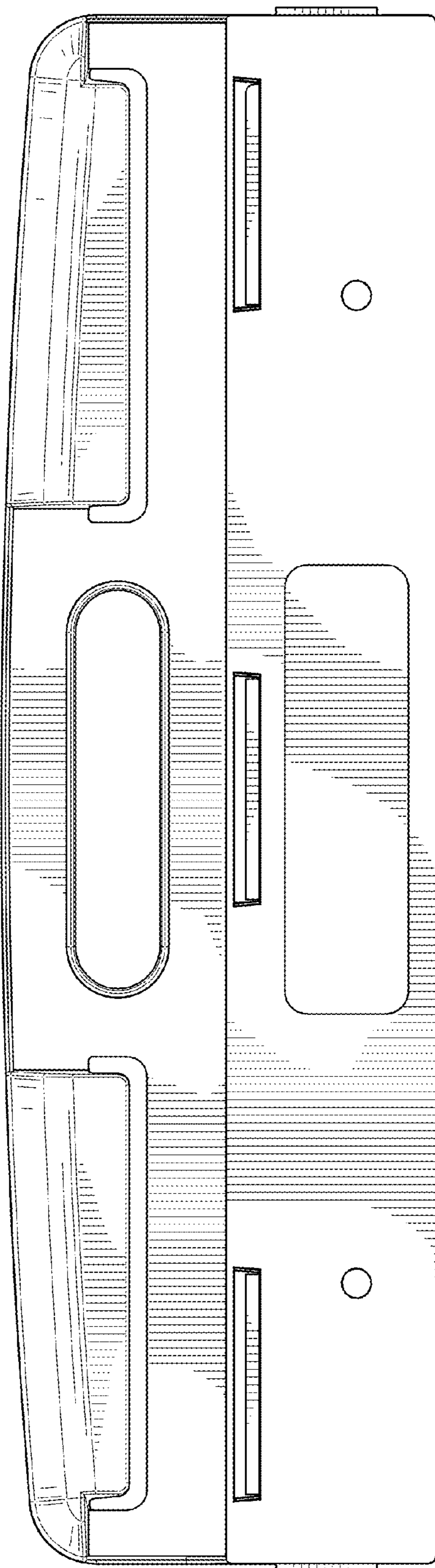


FIG. 3

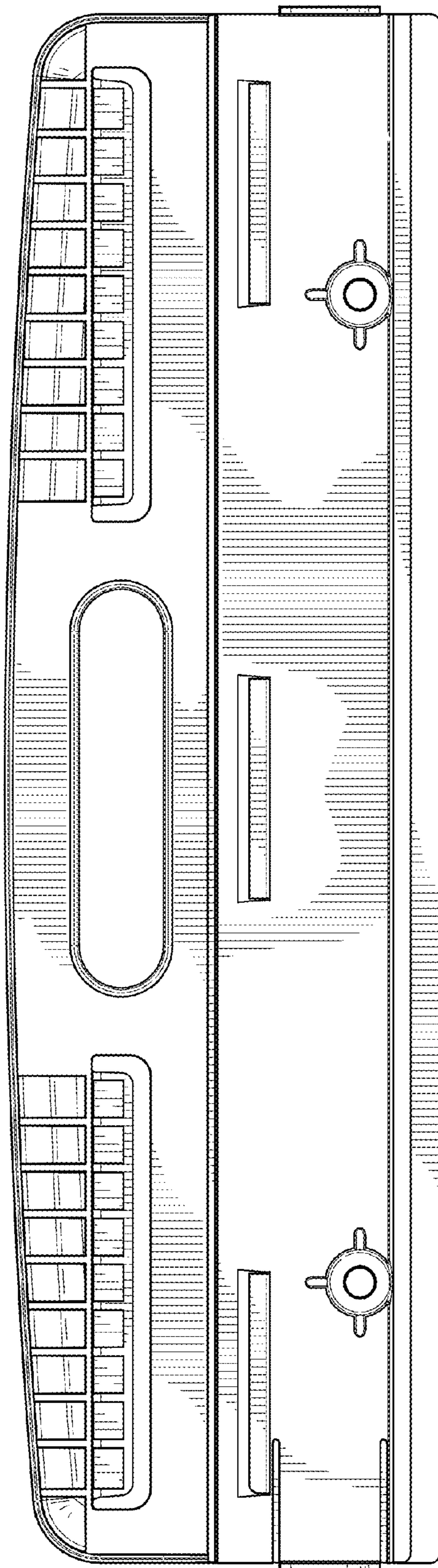


FIG. 4

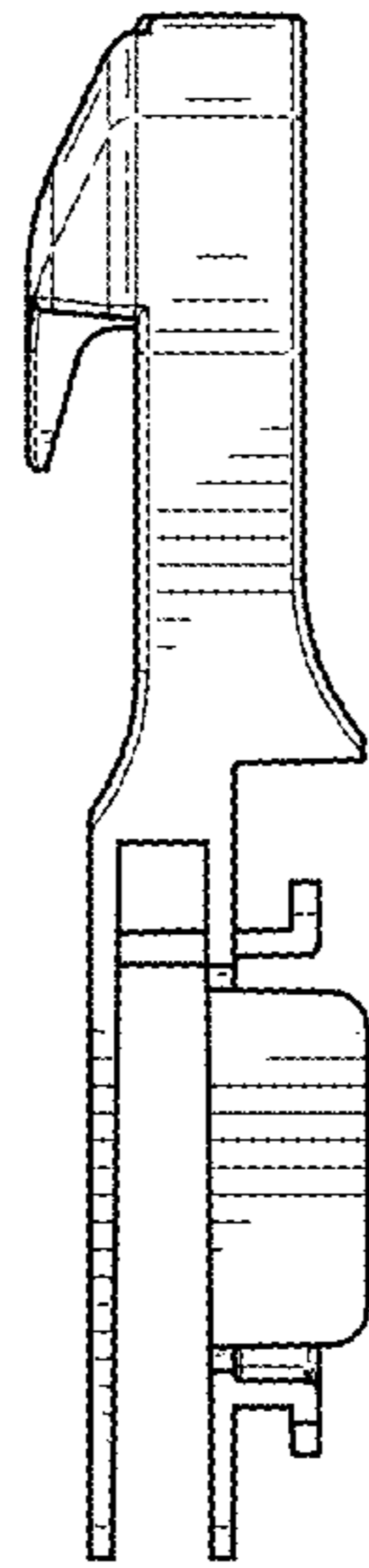


FIG. 5

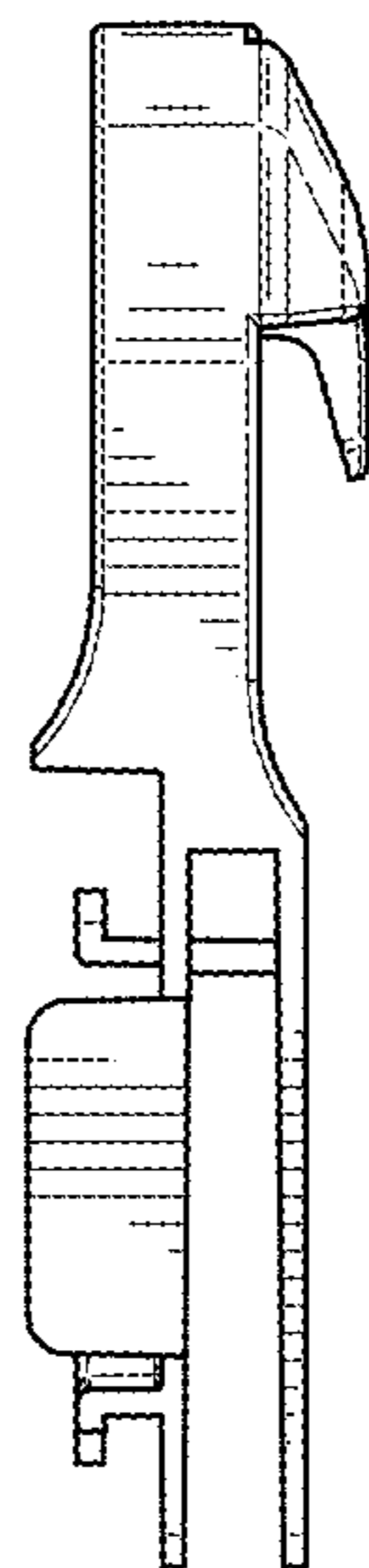


FIG. 6

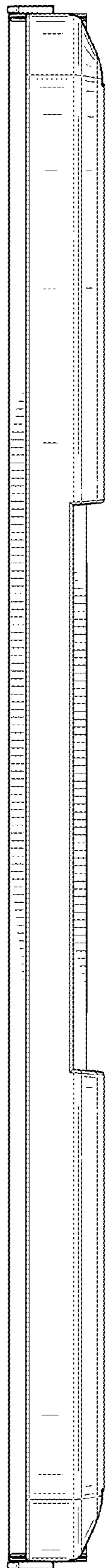


FIG. 7

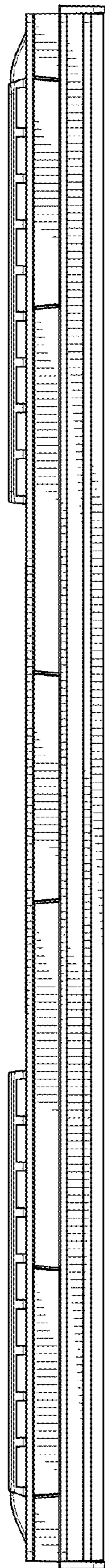


FIG. 8

UNITED STATES PATENT AND TRADEMARK OFFICE
CERTIFICATE OF CORRECTION

PATENT NO. : D751,907 S
APPLICATION NO. : 29/510161
DATED : March 22, 2016
INVENTOR(S) : Donadee et al.

Page 1 of 1

It is certified that error appears in the above-identified patent and that said Letters Patent is hereby corrected as shown below:

Title Page Item (54) and in the Specification Column 1

“HANDLE FOR CARRYING A FLOOR COVERING SAMPLE” should read
--HANDLE FOR CARRYING A FLOOR COVER SAMPLE--

Signed and Sealed this
Thirty-first Day of May, 2016



Michelle K. Lee
Director of the United States Patent and Trademark Office