



US00D751905S

(12) **United States Design Patent**
Alvarez de Cienfuegos Hernandez et al.

(10) **Patent No.:** **US D751,905 S**
(45) **Date of Patent:** **** Mar. 22, 2016**

(54) **CAP**
(71) Applicant: **Conopco, Inc.**, Englewood Cliffs, NJ
(US)
(72) Inventors: **Alberto Alvarez de Cienfuegos Hernandez**, Valencia (ES); **Jose Ignacio Lavernia Company**, Valencia (ES)
(73) Assignee: **Conopco Inc.**, Englewood Cliffs, NJ
(US)

D357,416 S 4/1995 Valentine
D363,222 S * 10/1995 Lay D9/447
D374,399 S * 10/1996 Neveras et al. D9/447
D378,665 S 4/1997 Fenton et al.
6,039,224 A * 3/2000 Dallas et al. 222/565
D423,370 S 4/2000 Lewin
D427,520 S 7/2000 Crawford
D430,008 S 8/2000 Gobe
D438,120 S 2/2001 Flurer et al.
D438,801 S 3/2001 Mohary et al.
D446,725 S 8/2001 Lloyd
D471,456 S * 3/2003 Young et al. D9/447
D482,624 S 11/2003 Hadkte et al.

(**) Term: **14 Years**

(Continued)

(21) Appl. No.: **29/490,150**

OTHER PUBLICATIONS

(22) Filed: **May 7, 2014**

Family Gone Green. Shampoo That Foams and Lathers Great Is More Effective, Right? Feb. 9, 2014 [online], [site visited Dec. 17, 2014]. Available from Internet, <URL:http://www.familygonegreen.com/>.*

(30) **Foreign Application Priority Data**

(Continued)

Nov. 11, 2013 (EM) 002342972-0001

(51) **LOC (10) Cl.** **09-07**

(52) **U.S. Cl.**
USPC **D9/449**

(58) **Field of Classification Search**
USPC D3/318; D7/321, 387, 511, 553.3;
D9/434, 435, 436, 447, 449, 499, 503,
D9/504, 529, 781; 206/534; 215/200, 228,
215/235, 236, 379; 220/254.1,
220/254.3-254.9, 713, 810; 222/480, 556;
229/404
CPC B65D 2251/1008; B65D 47/0842
See application file for complete search history.

Primary Examiner — Robert M Spear
Assistant Examiner — Darcey E Heflin
(74) *Attorney, Agent, or Firm* — Karen E. Klumas

(57) **CLAIM**
The ornamental design for a cap, as shown and described.

(56) **References Cited**

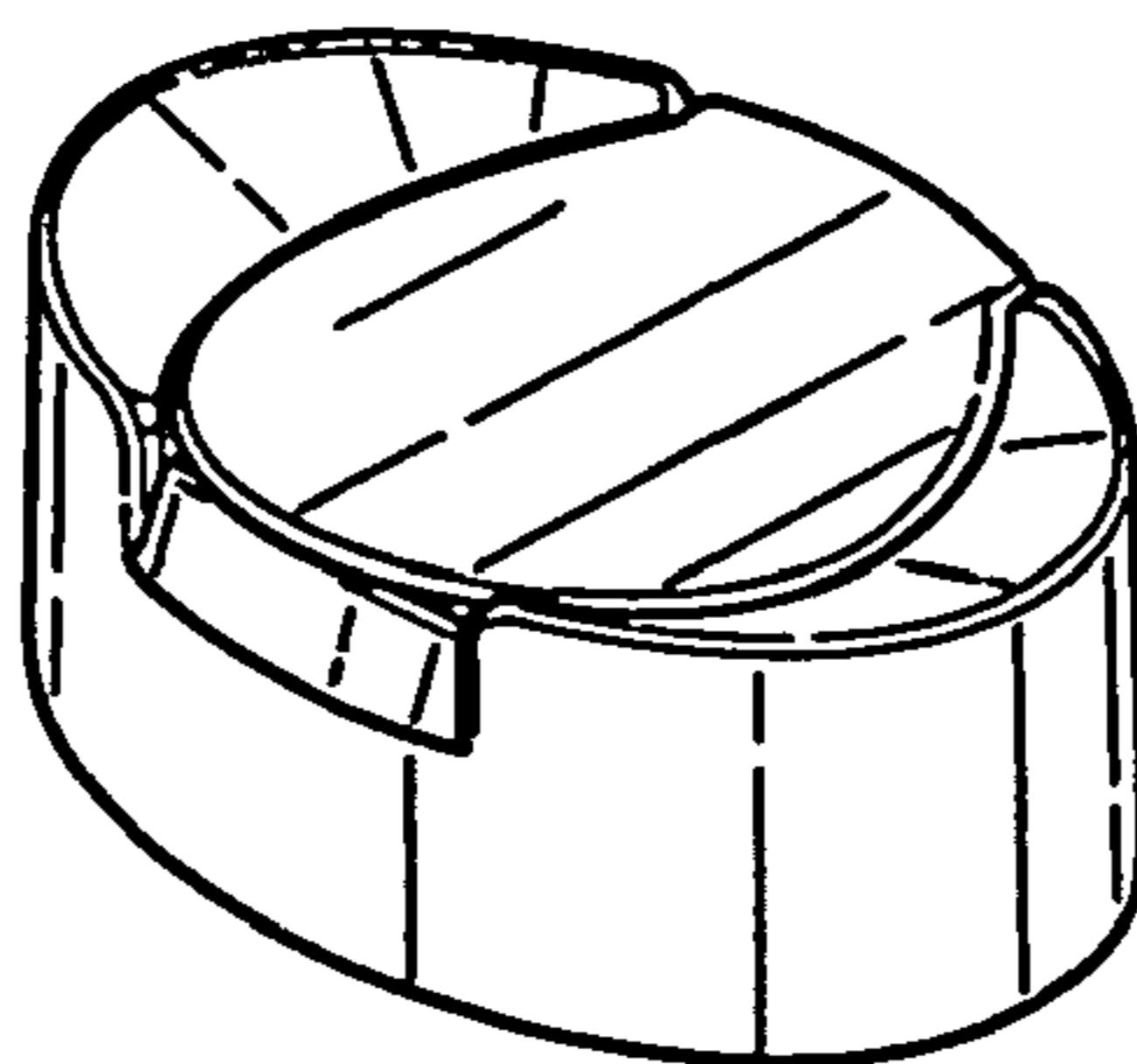
DESCRIPTION

U.S. PATENT DOCUMENTS

D239,698 S 4/1976 Utley
D281,861 S 12/1985 Jones et al.
D292,889 S * 11/1987 Ostrowsky D9/449
4,917,253 A * 4/1990 Dutt 215/235
5,201,440 A * 4/1993 Gross 222/153.07
D355,121 S * 2/1995 Kohl D9/447

FIG. 1 is a perspective view from above and one side;
FIG. 2 is a front elevational view;
FIG. 3 is a rear elevational view;
FIG. 4 is a side elevational view;
FIG. 5 is an elevational view of the other side;
FIG. 6 is a top plan view; and,
FIG. 7 is an underneath plan view.
The broken lines shown in FIG. 7 are included for the purpose of illustrating environmental structure and form no part of the claimed design.

1 Claim, 1 Drawing Sheet



(56)

References Cited

U.S. PATENT DOCUMENTS

D502,873 S * 3/2005 Capece et al. D9/447
 D516,425 S * 3/2006 Haffner et al. D9/449
 D542,145 S 5/2007 Campbell
 D552,479 S 10/2007 Mongeon et al.
 D575,166 S 8/2008 Miller et al.
 D585,739 S * 2/2009 Dombrowski et al. D9/449
 D601,019 S * 9/2009 Zupan D9/449
 D601,425 S 10/2009 Miller et al.
 D606,411 S 12/2009 Mongeon et al.
 D627,641 S * 11/2010 Mazurkiewicz et al. D9/449
 D632,181 S 2/2011 Kuzma et al.
 D632,585 S 2/2011 Jebb et al.
 D641,627 S * 7/2011 Rosenauer D9/449
 D644,107 S 8/2011 Hirst et al.
 D659,008 S 5/2012 Gately et al.
 D665,261 S * 8/2012 Mazurkiewicz D9/449
 D666,095 S * 8/2012 Blachford et al. D9/449
 D672,654 S * 12/2012 Jackel D9/449
 D678,073 S 3/2013 Oge-Nichols et al.
 D683,223 S 5/2013 Haupt
 D691,485 S 10/2013 Beck et al.

D711,231 S * 8/2014 Pun D9/449
 D714,153 S * 9/2014 Brewer et al. D9/529
 D715,655 S 10/2014 Brewer et al.
 D725,476 S 3/2015 Kuzma et al.
 D727,738 S 4/2015 Lindsay et al.
 D729,066 S 5/2015 Behar et al.
 D729,632 S 5/2015 Kuzma et al.
 D733,567 S 7/2015 Lindsay et al.
 D736,639 S 8/2015 McCay et al.
 D742,228 S * 11/2015 Dyer D9/449
 2014/0331416 A1 11/2014 Akinbobola et al.

OTHER PUBLICATIONS

Weiku. 250ml Flip Plastic Shampoo Bottle. Feb. 4, 2014 [online], [site visited Dec. 17, 2014]. Available from Internet, <URL:http://www.weiku.com/products/7843263/250ml_flip_plastic_shampoo_bottle.html>.*

Co-pending Application: Applicant: Alvarez De Cienfuegos Hernandez et al., Filed: May 7, 2014.

Co-pending Application: Applicant: Alvarez De Cienfuegos Hernandez et al., Filed: May 7, 2014

* cited by examiner

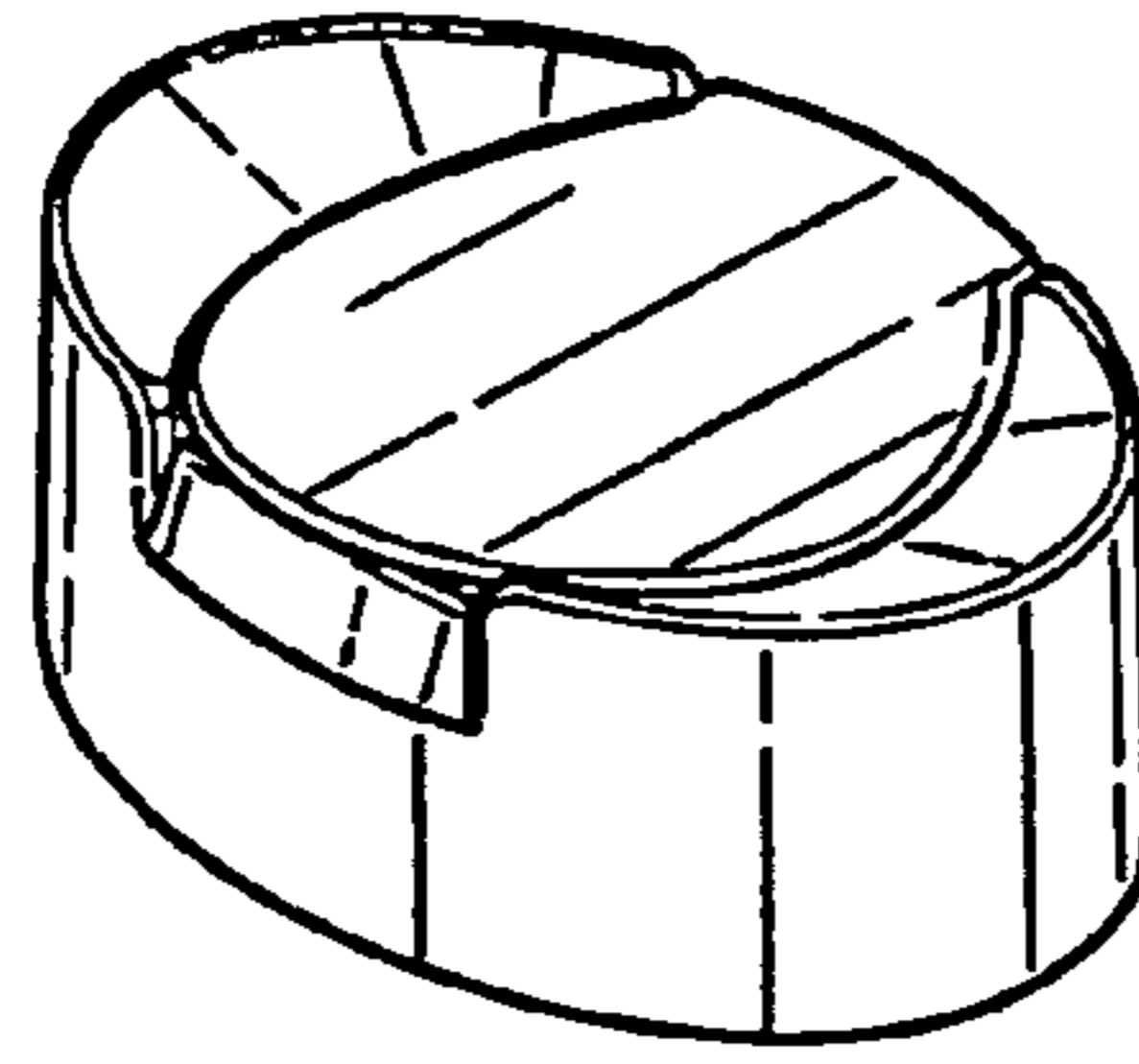


Fig. 1

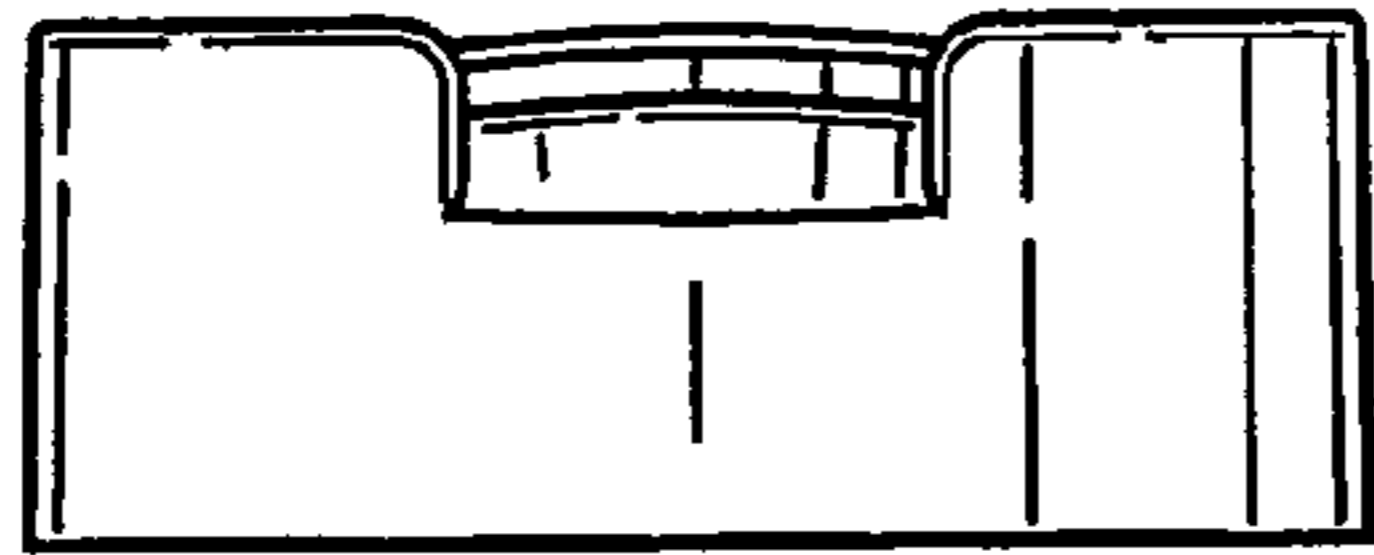


Fig. 2

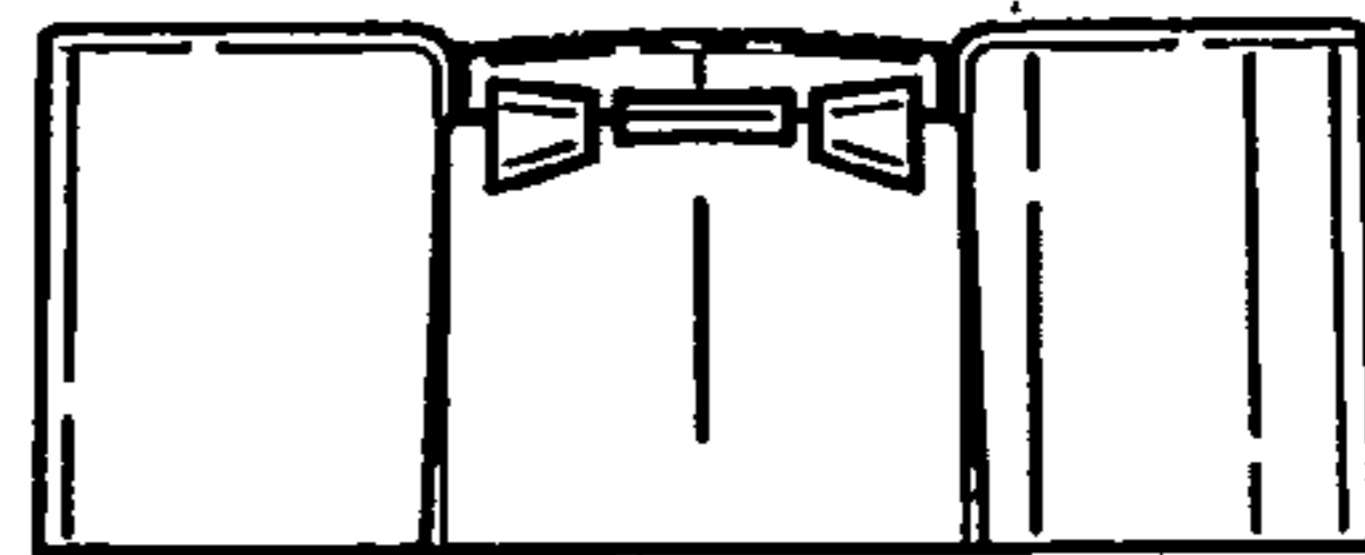


Fig. 3

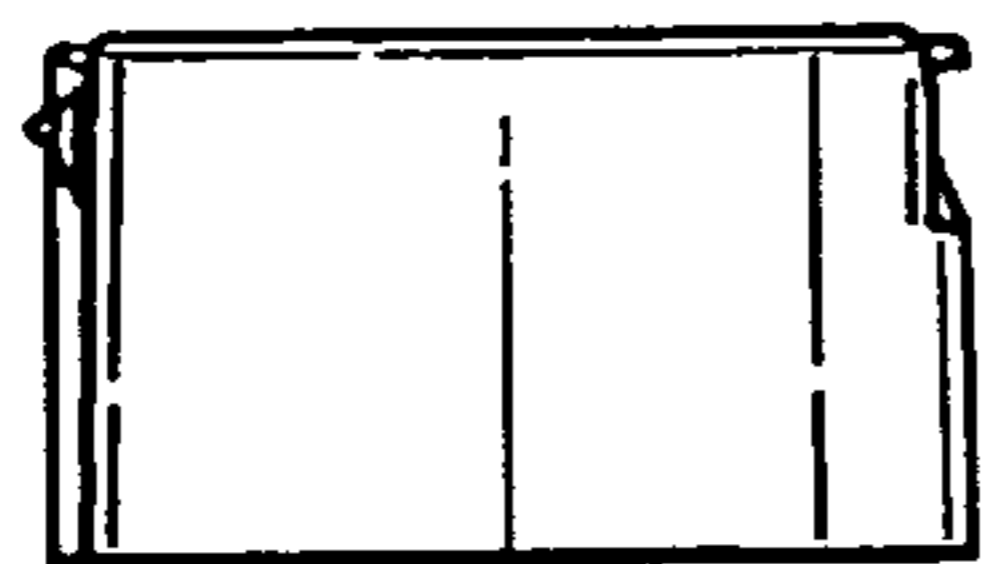


Fig. 4

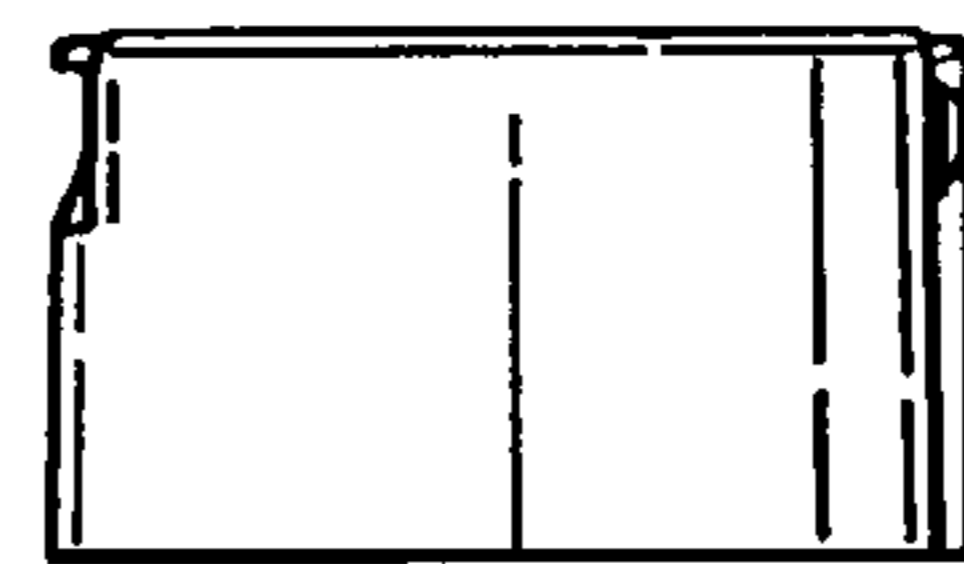


Fig. 5

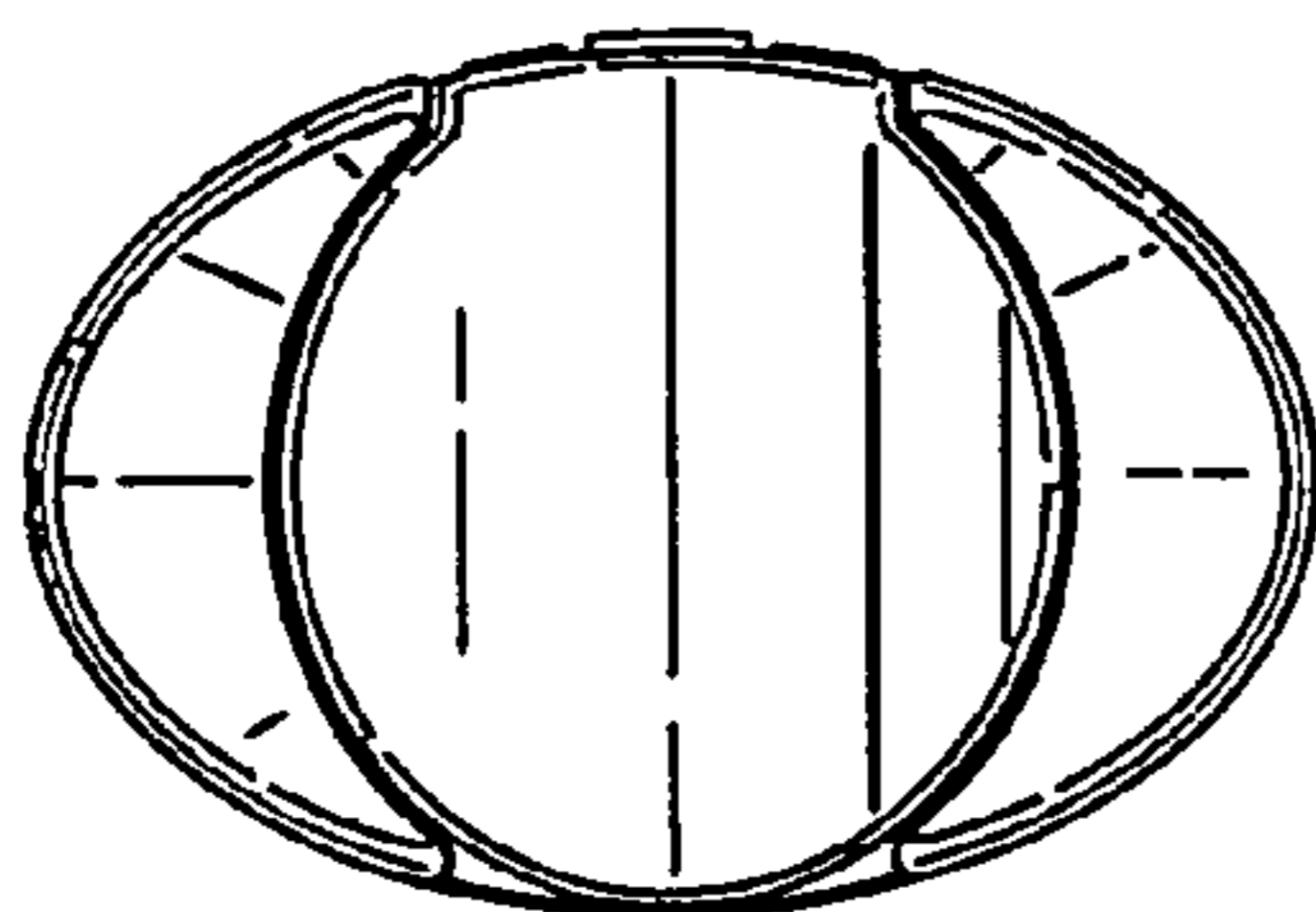


Fig. 6

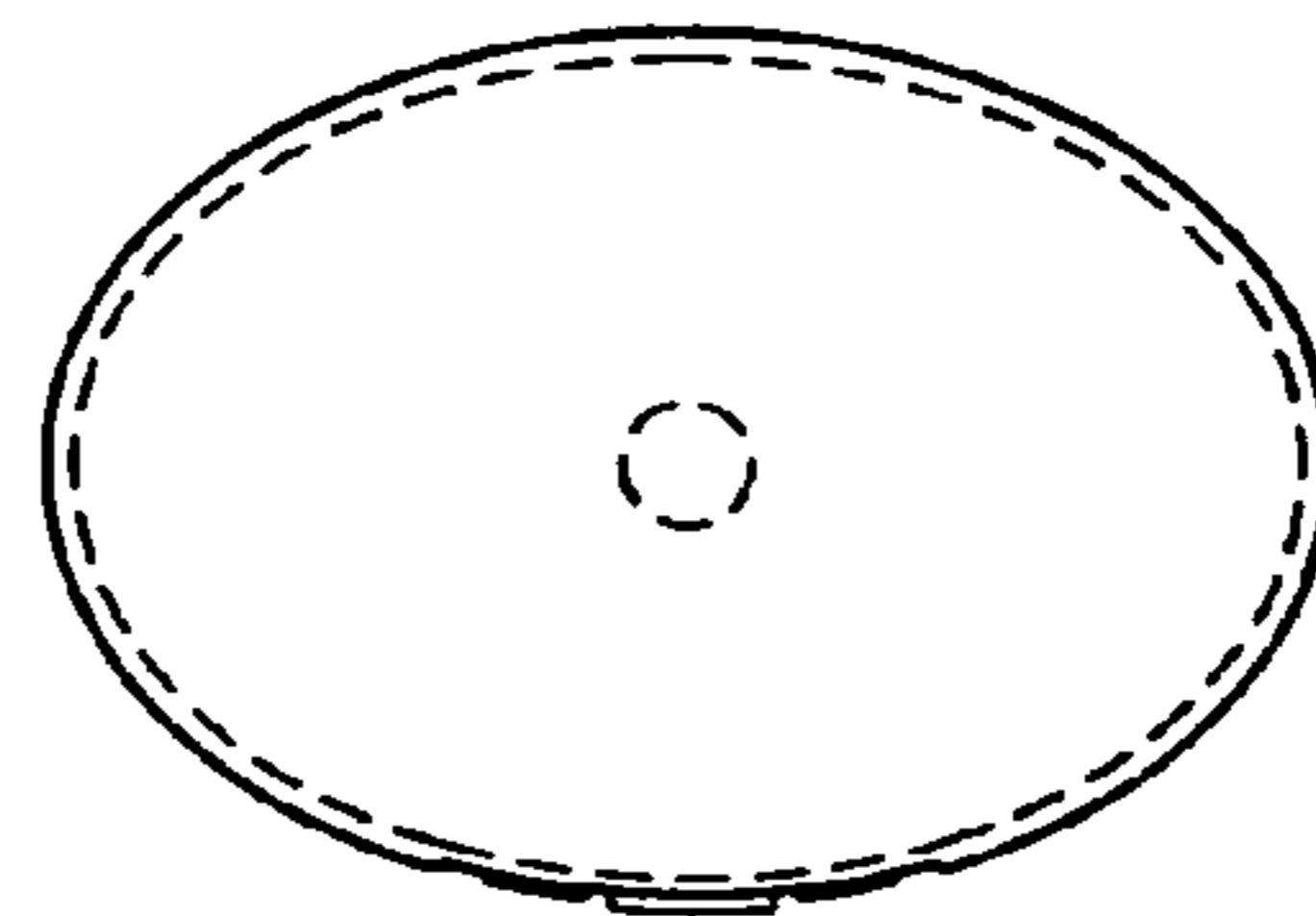


Fig. 7