



US00D751902S

(12) **United States Design Patent**
Sturk

(10) **Patent No.:** **US D751,902 S**
(45) **Date of Patent:** **** Mar. 22, 2016**

(54) **VENT CLOSURE WITH CAP, INNER BAFFLE AND BODY FOR PAILS**

(74) *Attorney, Agent, or Firm* — Eugene Gierczak

(71) Applicant: **Ronald Sturk**, Brampton (CA)

(57) **CLAIM**

The ornamental design for a vent closure with cap, inner baffle and body for pails, as shown and described.

(72) Inventor: **Ronald Sturk**, Brampton (CA)

(73) Assignee: **APC PRODUCTS LIMITED**,
Brampton (CA)

DESCRIPTION

(**) Term: **14 Years**

FIG. 1 is a perspective view of the vent closure with cap, inner baffle and body for pails.

(21) Appl. No.: **29/496,210**

FIG. 2 is a perspective view thereof shown in a position of use press fitted into a pail which is not claimed.

(22) Filed: **Jul. 10, 2014**

FIG. 3 is an exploded perspective view of the design of FIG. 1 showing the three parts of the design including a cap, inner baffle disc and lower body with hinged and latching body ring prior to assembly.

(51) **LOC (10) Cl.** **09-07**

(52) **U.S. Cl.**
USPC **D9/447**

FIG. 4 is an exploded side view of FIG. 5 showing partial cross-sectional views of the three parts of the design prior to assembly.

(58) **Field of Classification Search**

USPC D9/434–436, 438, 443–450, 452–454,
D9/499; D7/387, 392, 393, 396.2, 510,
D7/511; D3/202, 294, 318; 215/28, 41,
215/201, 216, 224, 230, 235, 237, 243, 249,
215/256, 306, 316, 317, 396; 220/252,
220/254.1, 254.2–254.4, 258.2, 263, 367.1,
220/375, 711, 724, 730, 731, 837, 847;
222/109, 153.1, 153.11, 153.14, 464.1,
222/498, 546, 547, 562, 565, 566, 570, 621
CPC A61J 1/1412; B65D 1/02; B65D 1/323;
B65D 25/40; B65D 41/56; B65D 41/62;
B65D 47/06; B65D 47/08

FIG. 5 is a partial cross-sectional side view of the design of FIG. 1 taken along line 5-5 of FIG. 2 showing the design assembled with environmental subject matter drawn in broken line.

FIG. 6 is a top view of the cap portion of the vent closure with cap, inner baffle and body for pails of FIG. 1.

FIG. 7 is a bottom view thereof.

FIG. 8 is a top view of the inner baffle disc portion of the vent closure with cap, inner baffle and body for pails of FIG. 1.

FIG. 9 is a bottom view thereof.

FIG. 10 is a top view of the lower body portion of the vent closure with cap, inner baffle and body for pails of FIG. 1 showing the hinged body ring in a latched position; and, FIG. 11 is a bottom view thereof.

The broken lines in FIGS. 2, 4, and 5 depict environment and form no part of the claimed design.

The design consists of the features of shape, pattern and configuration of a vent closure for pails consisting of a top cap, inner baffle disc and lower cup shaped body with hinged and latching ring, the three pieces assembled as shown in the drawings.

See application file for complete search history.

(56) **References Cited**

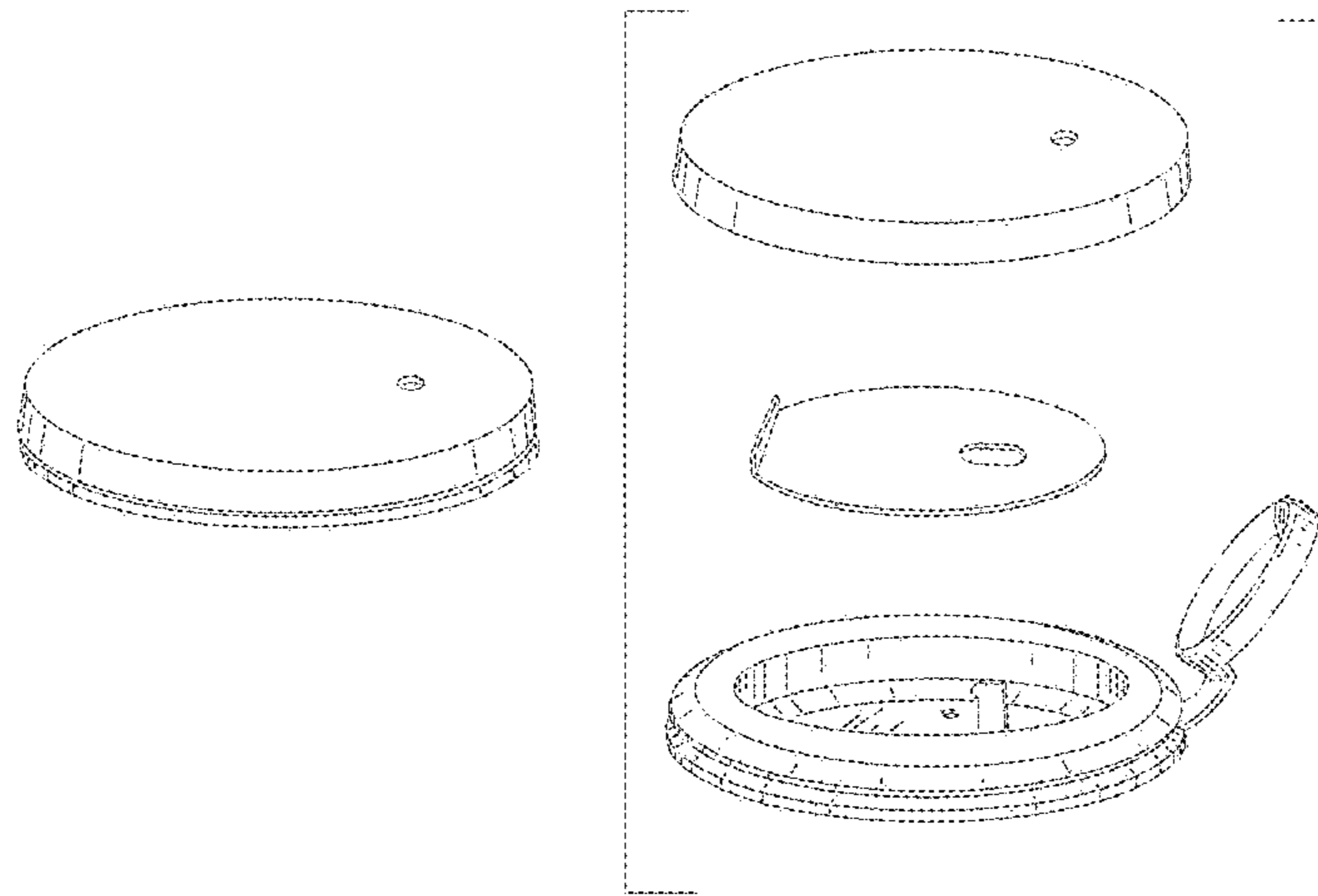
U.S. PATENT DOCUMENTS

544,729 A * 8/1895 Harned 220/254.1
3,410,436 A * 11/1968 Foss B65D 51/1677
215/249

(Continued)

Primary Examiner — Karen S Acker
Assistant Examiner — Wendy Arminio

1 Claim, 6 Drawing Sheets



(56)

References Cited

U.S. PATENT DOCUMENTS

D215,417 S * 9/1969 MacDonald et al. D9/434
 D278,413 S * 4/1985 Woodcock D9/446
 5,292,022 A * 3/1994 Blanco B65D 17/166
 220/257.1
 D359,905 S * 7/1995 Molo D9/447
 D384,280 S * 9/1997 Kuczer D9/436
 5,797,509 A * 8/1998 Fitch B65D 51/20
 215/232
 D432,914 S * 10/2000 Hayes D9/434
 D441,288 S * 5/2001 Pillers D7/392.1
 D452,155 S * 12/2001 Stodd D9/434
 D469,353 S * 1/2003 Sturk D9/443

D475,925 S * 6/2003 Sturk D9/435
 6,626,314 B1 * 9/2003 McHenry B65D 17/165
 220/254.2
 6,681,947 B2 * 1/2004 Kim B65D 41/48
 215/253
 6,923,333 B2 * 8/2005 Arciniegas B65D 47/103
 215/251
 D570,213 S * 6/2008 Newman D9/447
 D604,160 S * 11/2009 DeMarco D9/447
 D612,236 S * 3/2010 Sturk D9/443
 D617,188 S * 6/2010 Sturk D9/443
 D646,971 S * 10/2011 Chmela D9/438
 D651,082 S * 12/2011 Dunwoody D9/435
 D658,980 S * 5/2012 Chapin D9/434

* cited by examiner

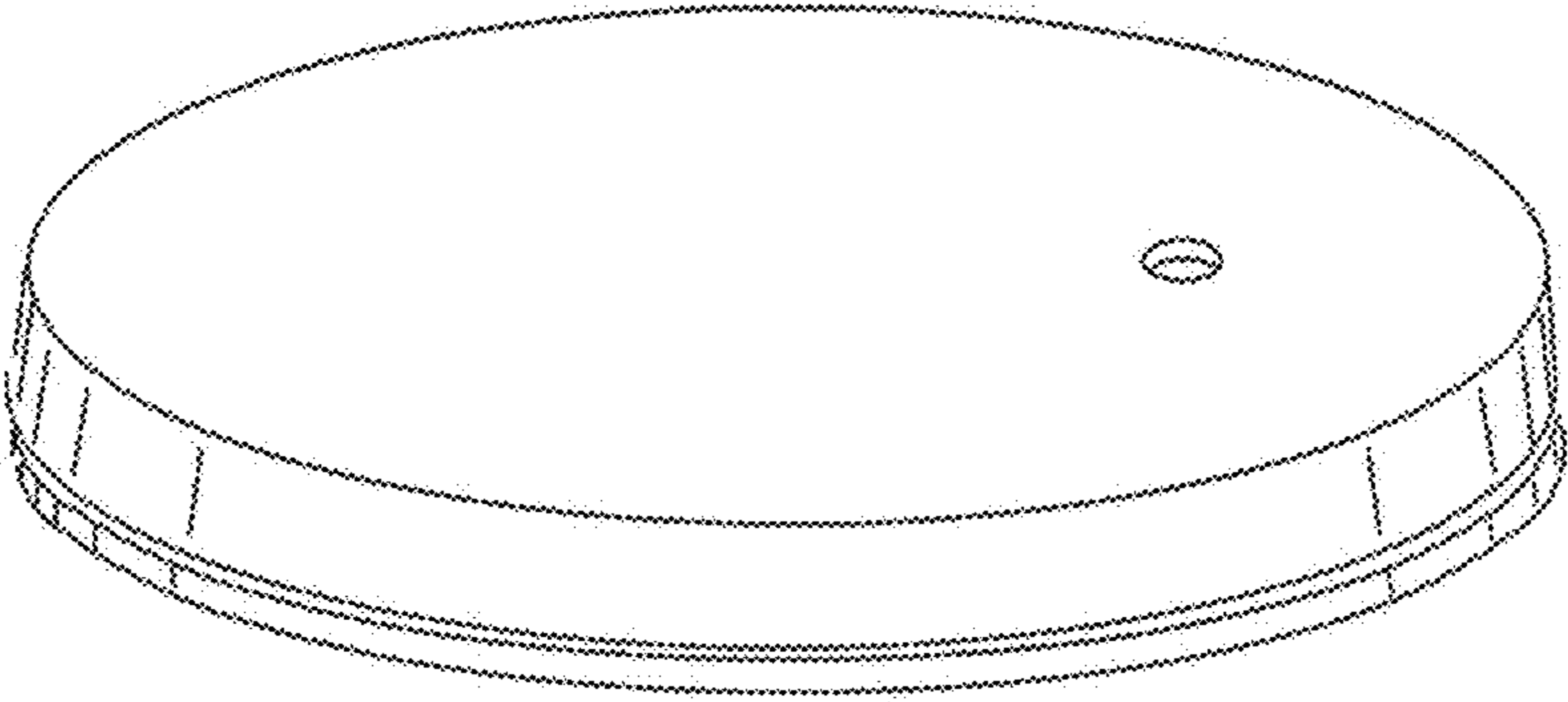


FIGURE 1

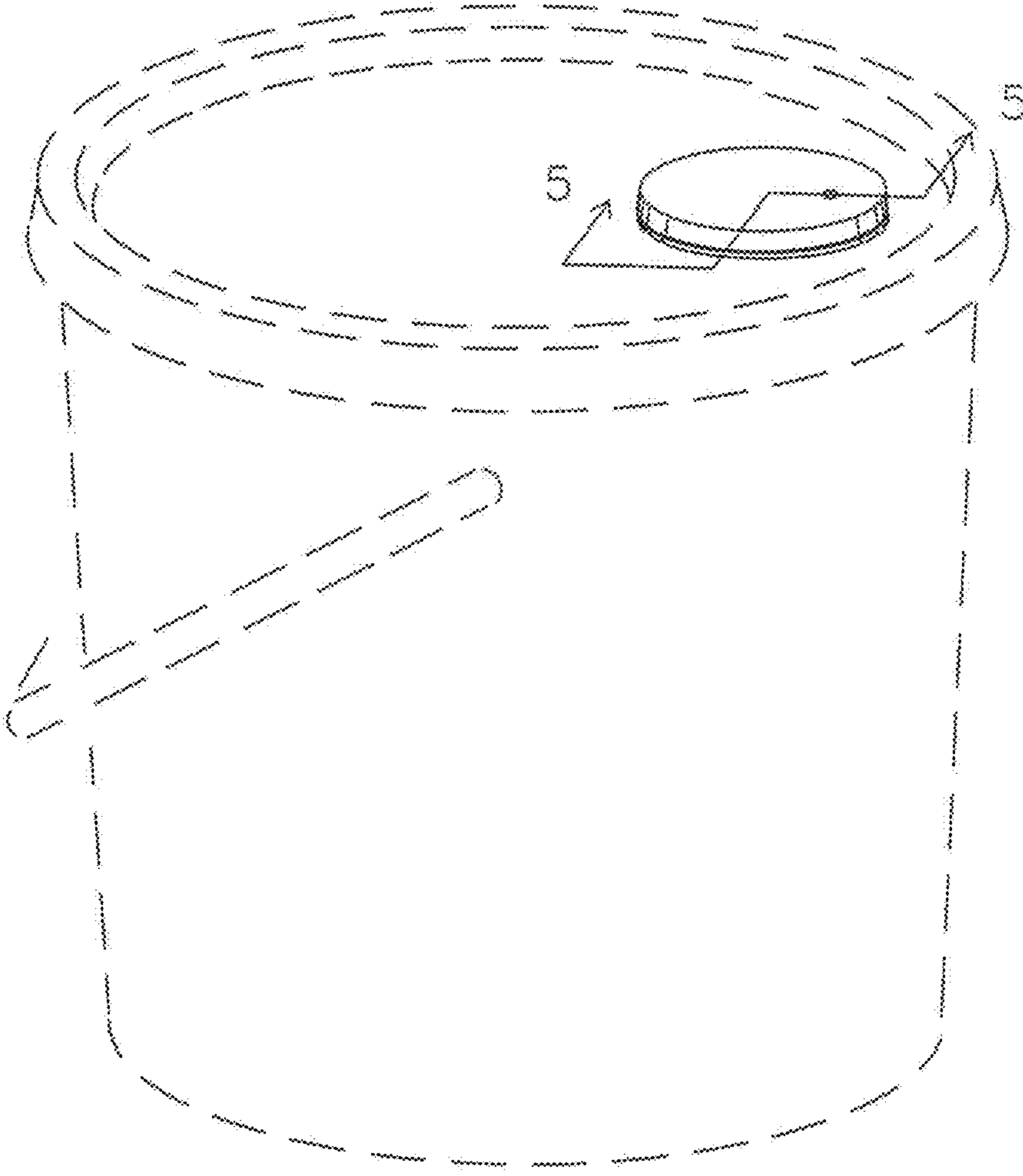


FIGURE 2

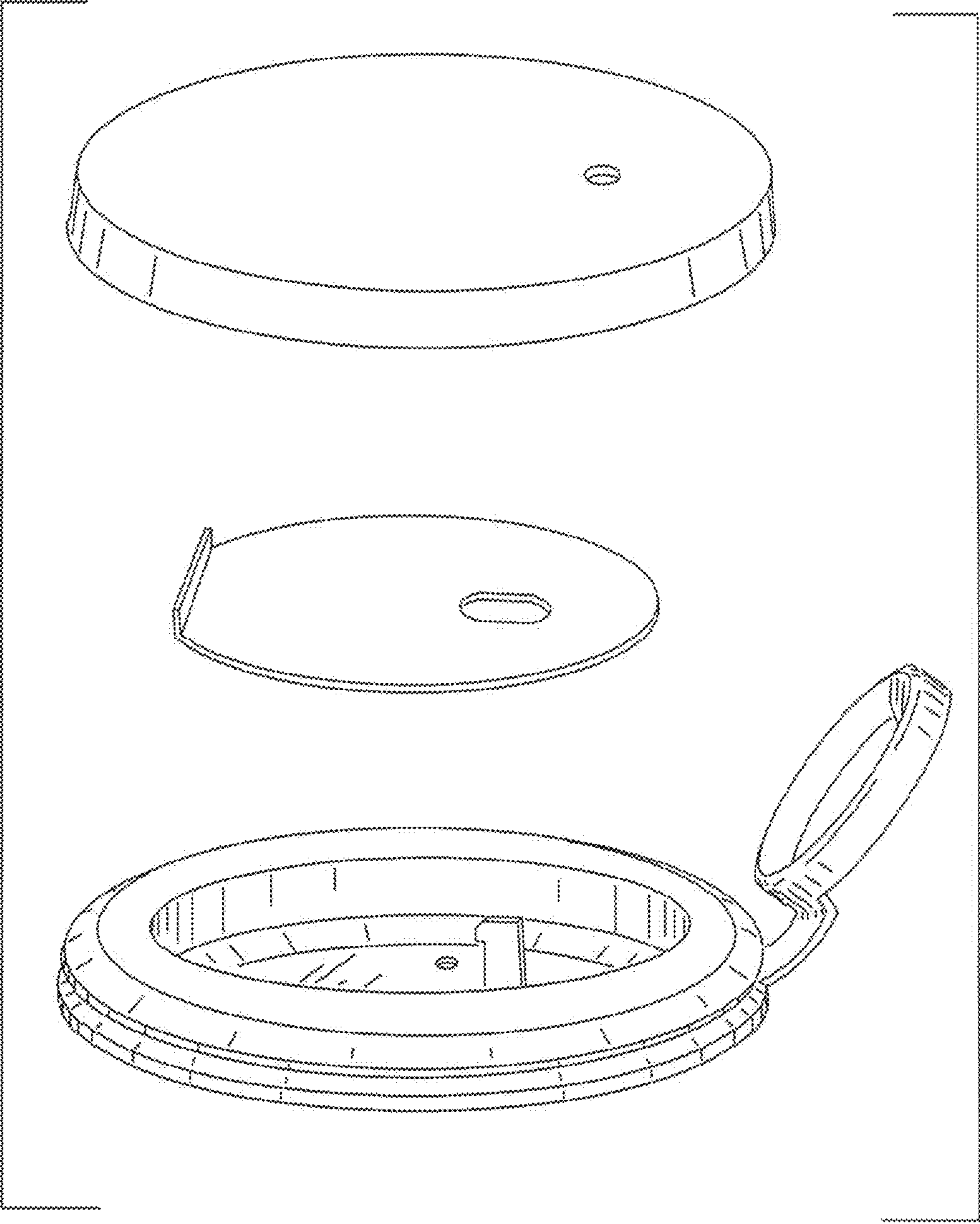


FIGURE 3

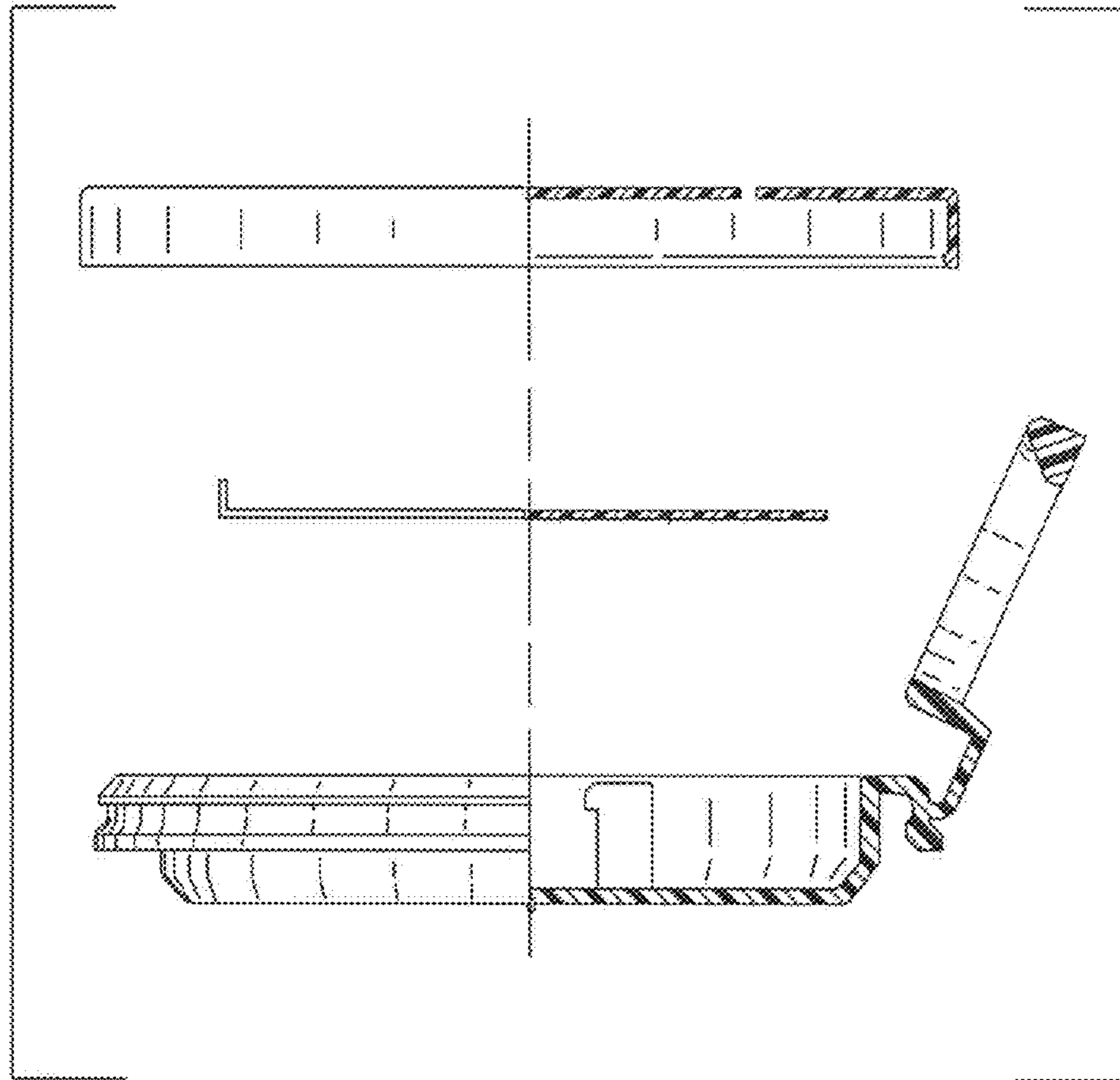


FIGURE 4

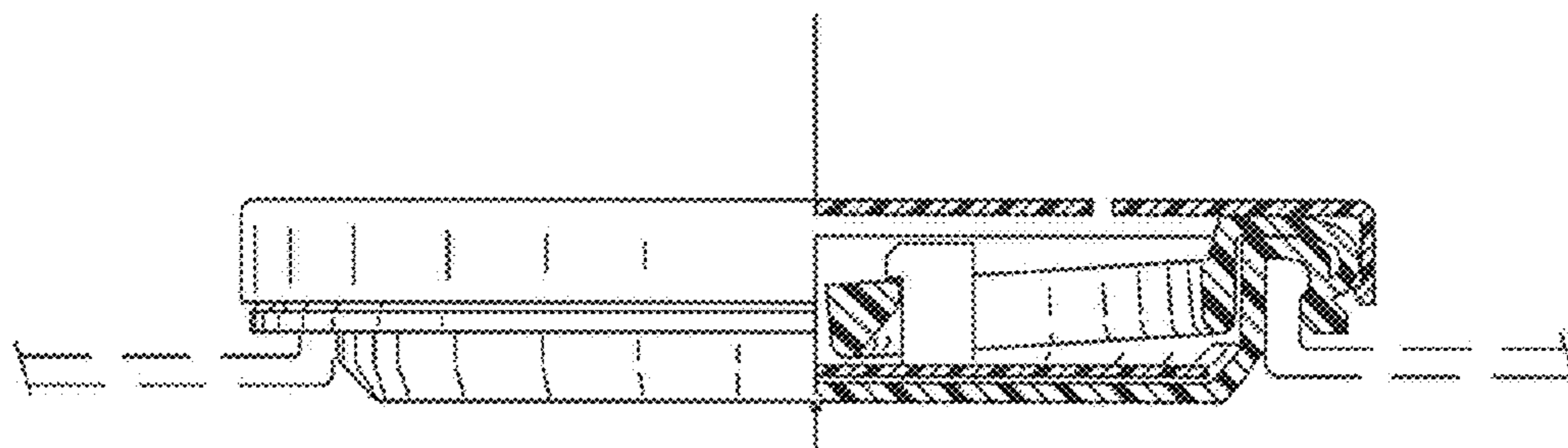


FIGURE 5

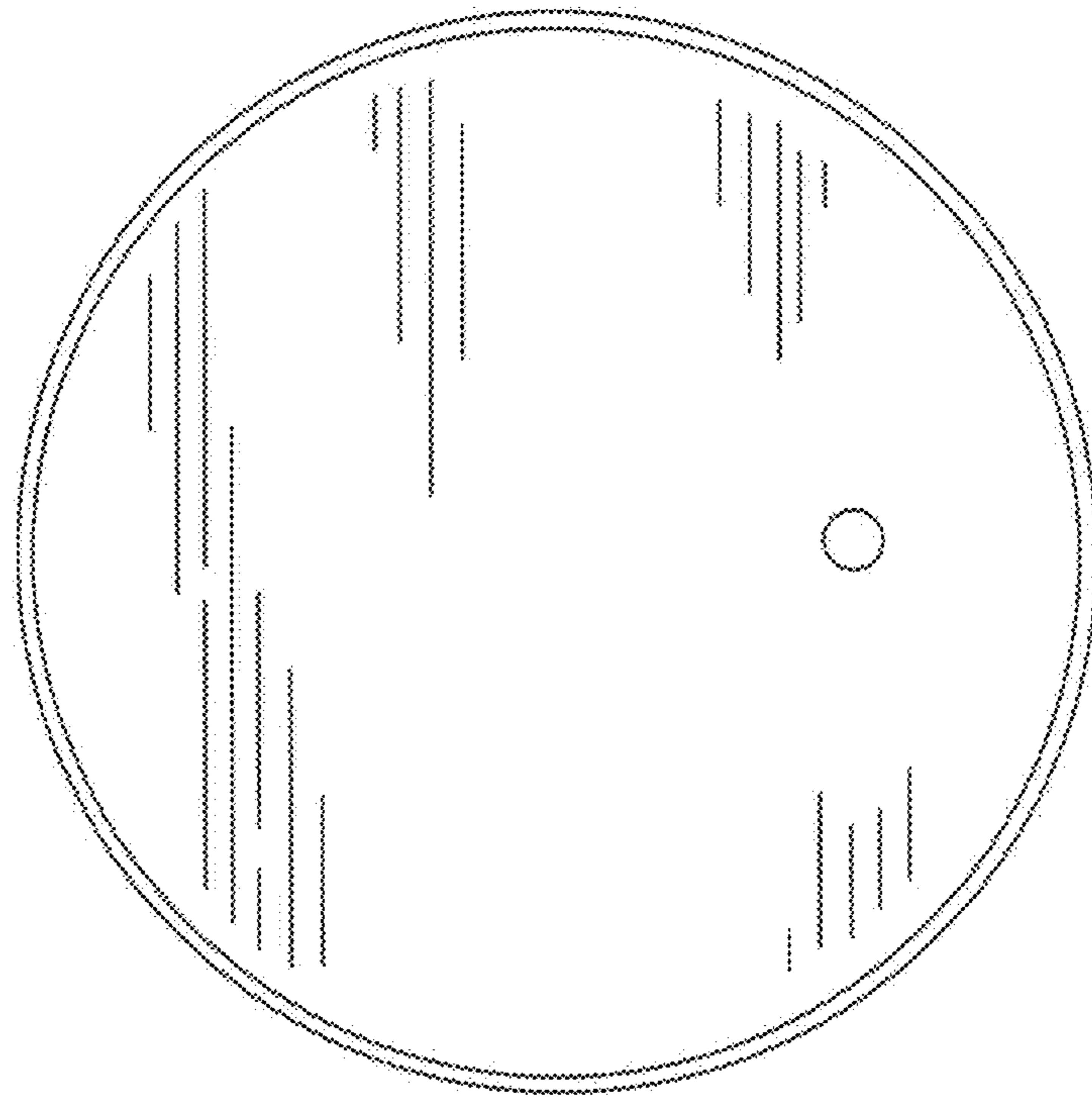


FIGURE 6

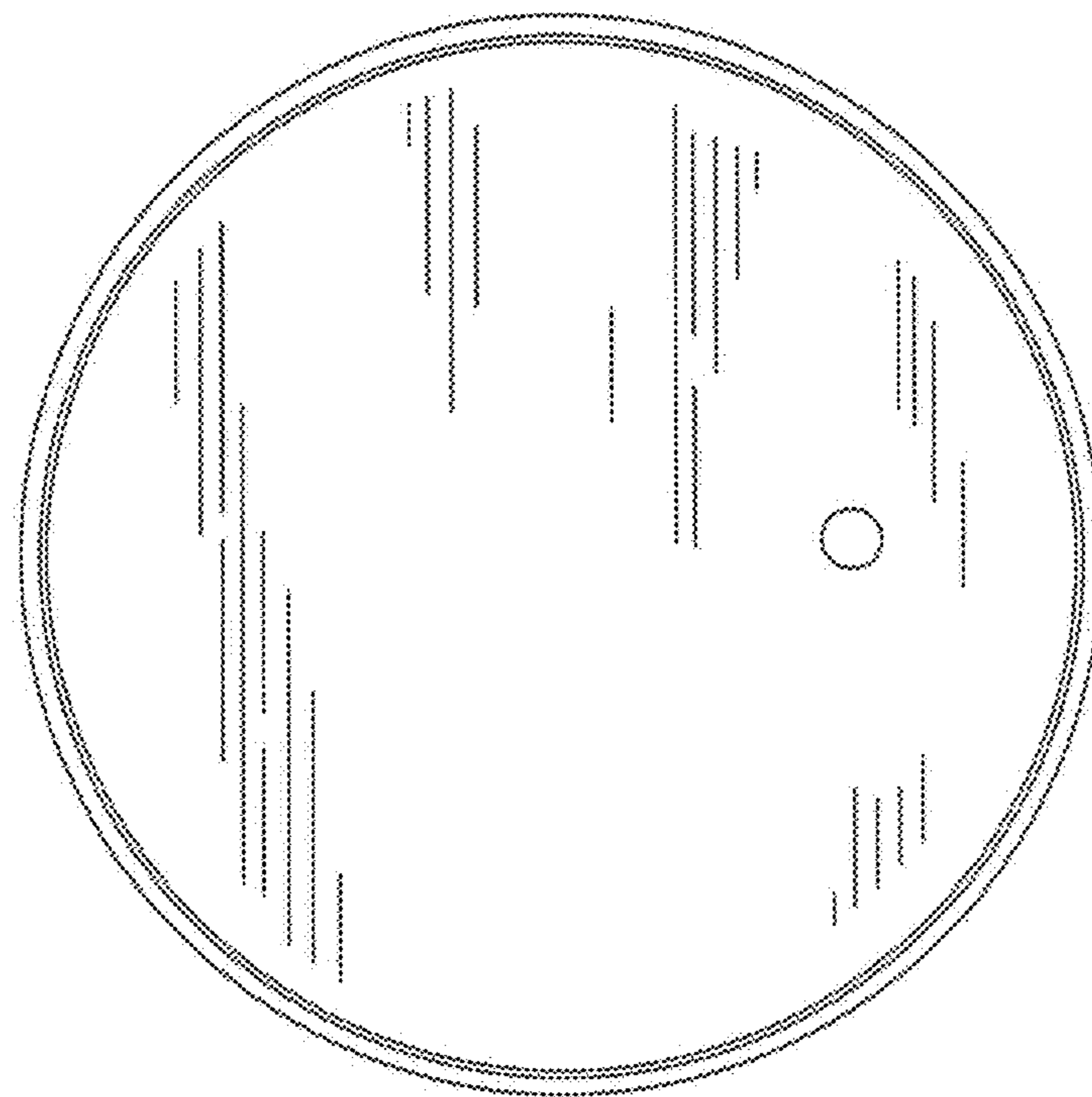


FIGURE 7

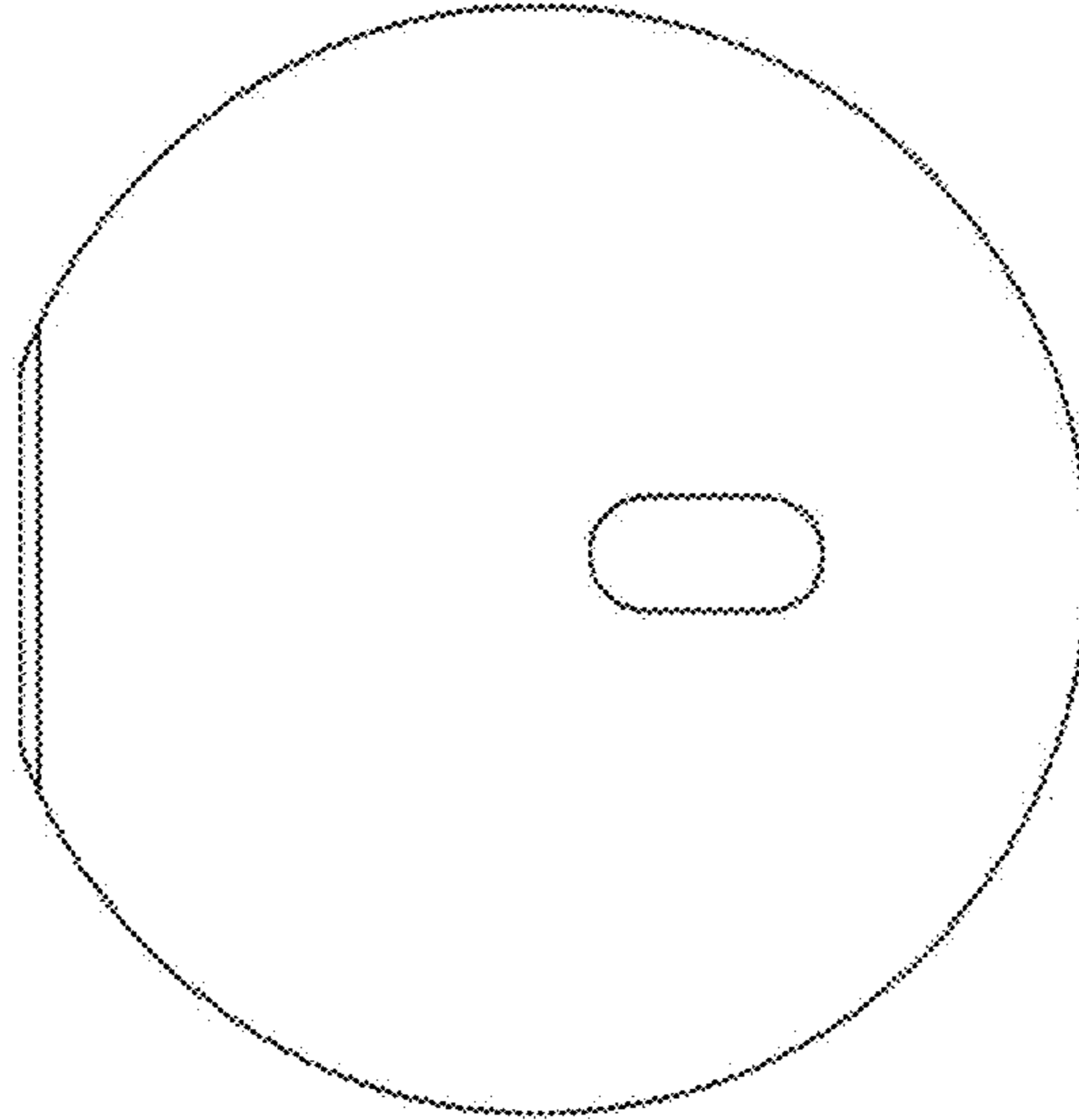


FIGURE 8

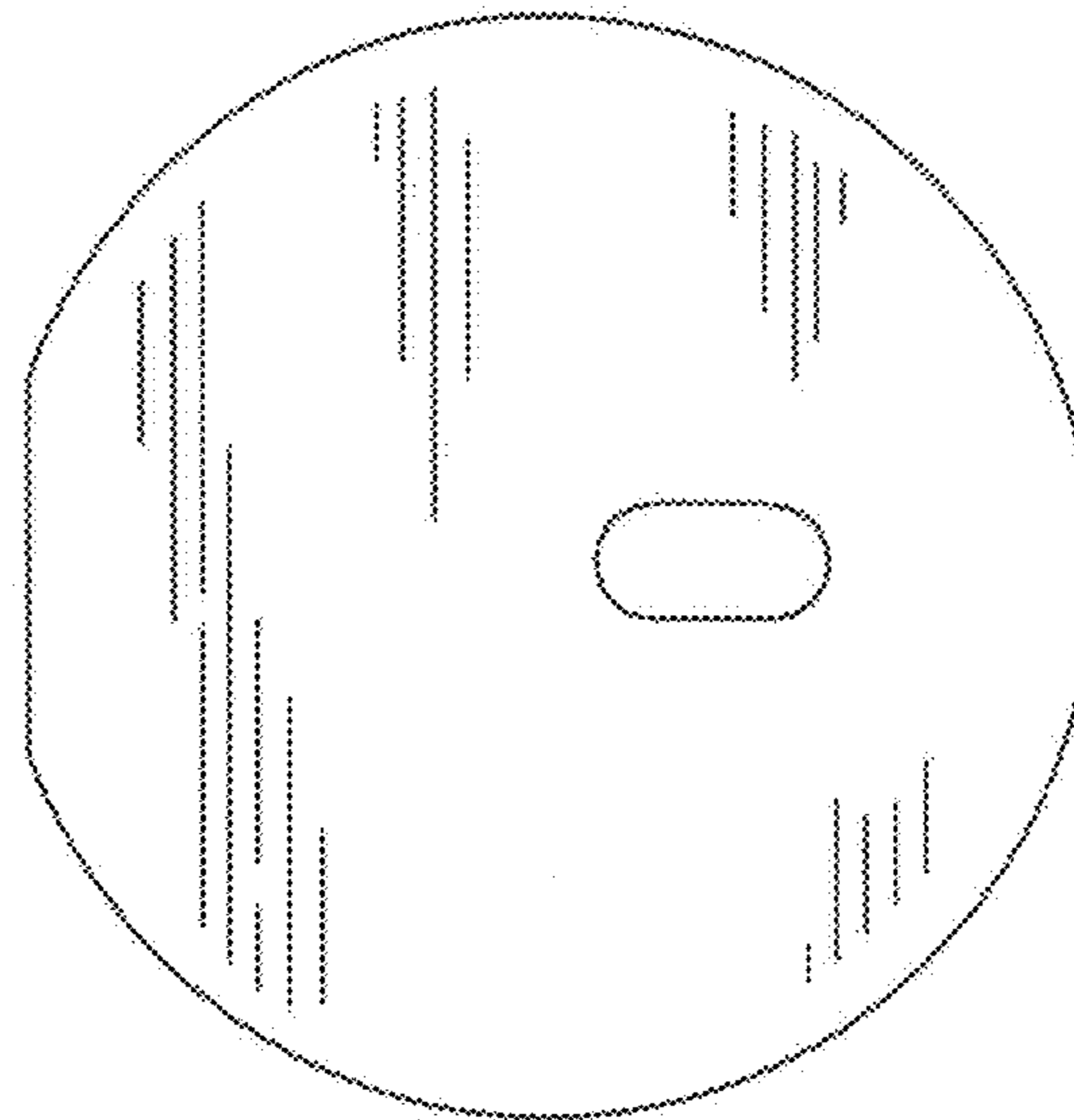


FIGURE 9

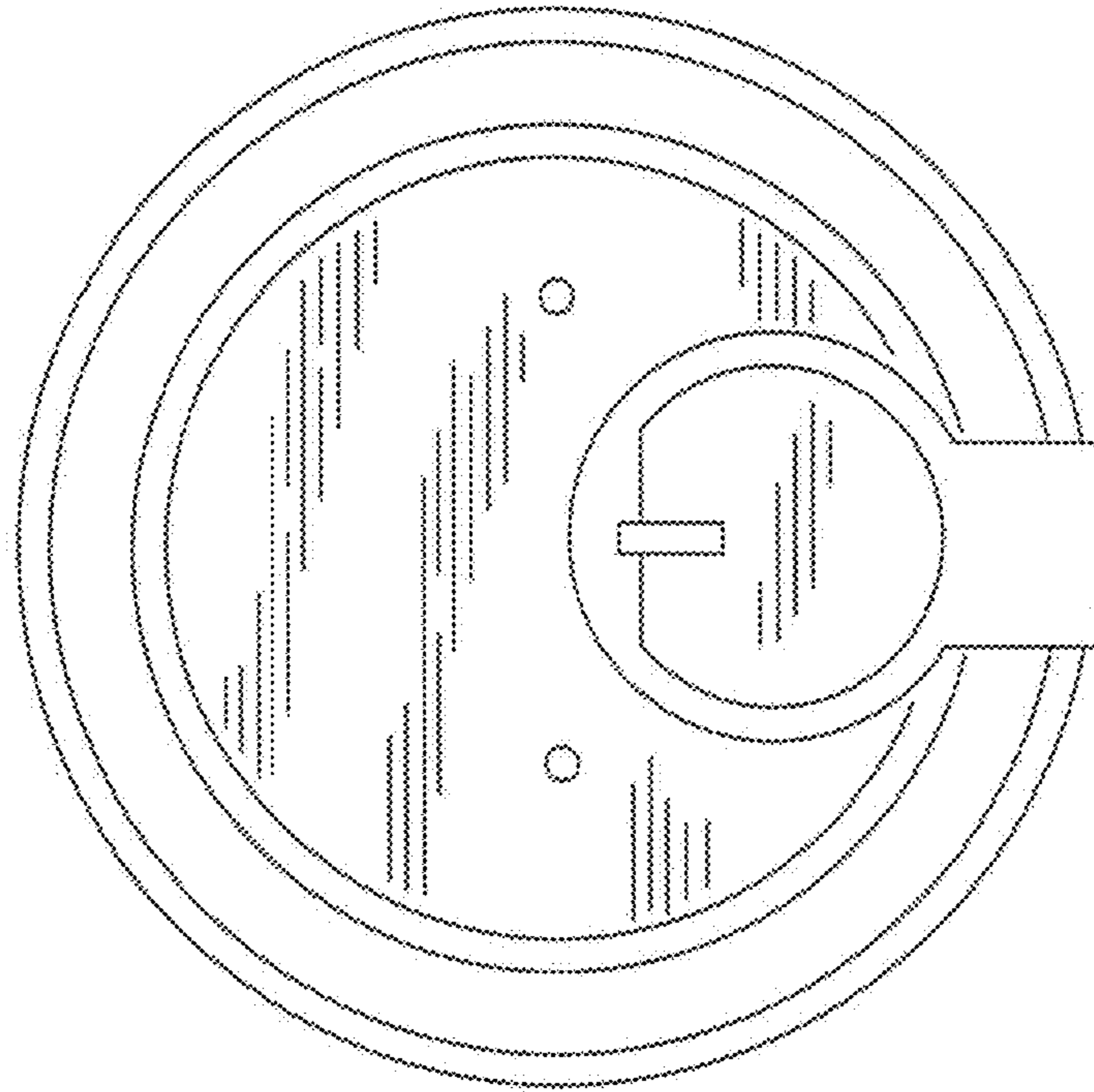


FIGURE 10

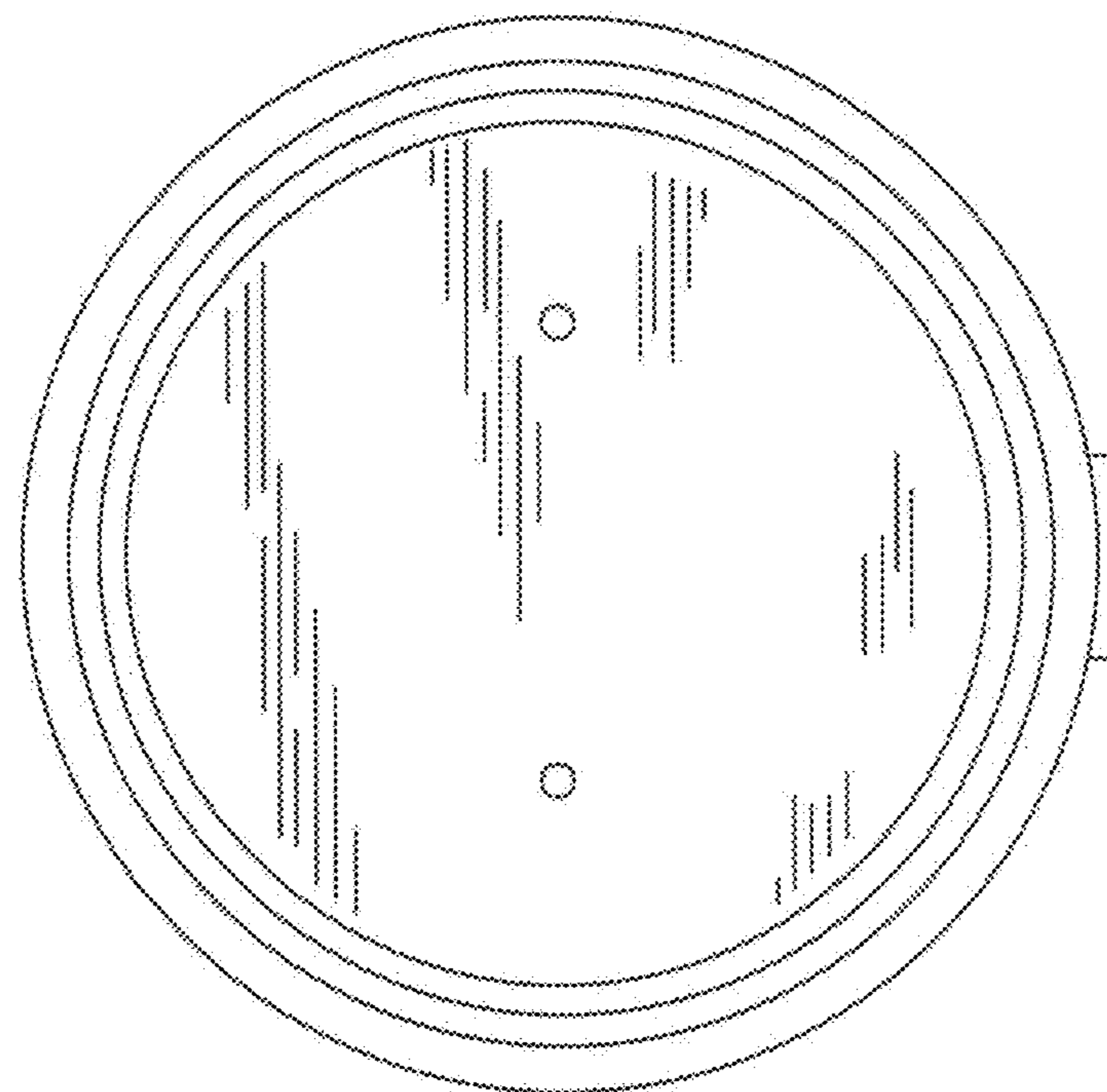


FIGURE 11