



US00D751901S

(12) **United States Design Patent**
Nottingham Colosimo et al.

(10) **Patent No.:** **US D751,901 S**
(45) **Date of Patent:** **** Mar. 22, 2016**

- (54) **DISPENSING BOTTLE CAP**
- (71) Applicant: **Triumph Pharmaceuticals Inc.**, St. Louis, OH (US)
- (72) Inventors: **Rachel Nottingham Colosimo**, Cleveland Heights, OH (US); **John McKenzie**, Aurora, OH (US)
- (73) Assignee: **Triumph Pharmaceuticals, Inc.**, St. Louis, MO (US)
- (**) Term: **14 Years**
- (21) Appl. No.: **29/495,596**
- (22) Filed: **Jul. 2, 2014**

5,934,515	A *	8/1999	Bennett	222/153.14
5,954,213	A	9/1999	Gerhart et al.		
D456,260	S *	4/2002	Boshuizen et al.	D9/448
D509,136	S *	9/2005	Walters et al.	D9/447
D569,247	S *	5/2008	Decottignies	D9/448
D601,894	S *	10/2009	Cho et al.	D9/447
D634,194	S *	3/2011	Driskell et al.	D9/445
8,413,849	B2	4/2013	Flores		
D684,054	S *	6/2013	Son	D9/448
D730,186	S *	5/2015	Basa	D9/447
2001/0013523	A1	8/2001	Gross et al.		
2004/0026535	A1	2/2004	Conway et al.		
2006/0180617	A1	8/2006	Suffa		
2007/0000945	A1	1/2007	Geberzahn et al.		
2007/0012806	A1	1/2007	Muhlhausen et al.		
2007/0029344	A1	2/2007	Schymitzek et al.		
2007/0158461	A1	7/2007	Rymer et al.		
2007/0278174	A1	12/2007	Kunz et al.		
2013/0277326	A1*	10/2013	Gold et al.	215/10

* cited by examiner

Related U.S. Application Data

- (63) Continuation of application No. 14/283,847, filed on May 21, 2014.
- (51) **LOC (10) Cl.** **09-07**
- (52) **U.S. Cl.**
USPC **D9/447**
- (58) **Field of Classification Search**
USPC D7/300, 387, 397; D9/434, 435, D9/438-440, 443-445, 447-449, 454, 499, D9/728; 215/10; 222/153.14
CPC B65D 1/20
See application file for complete search history.

Primary Examiner — Robert M Spear

Assistant Examiner — Darcey E Heflin

(74) *Attorney, Agent, or Firm* — Harness, Dickey & Pierce, P.L.C.

(57) **CLAIM**

The ornamental design for a dispensing bottle cap, as shown and described.

DESCRIPTION

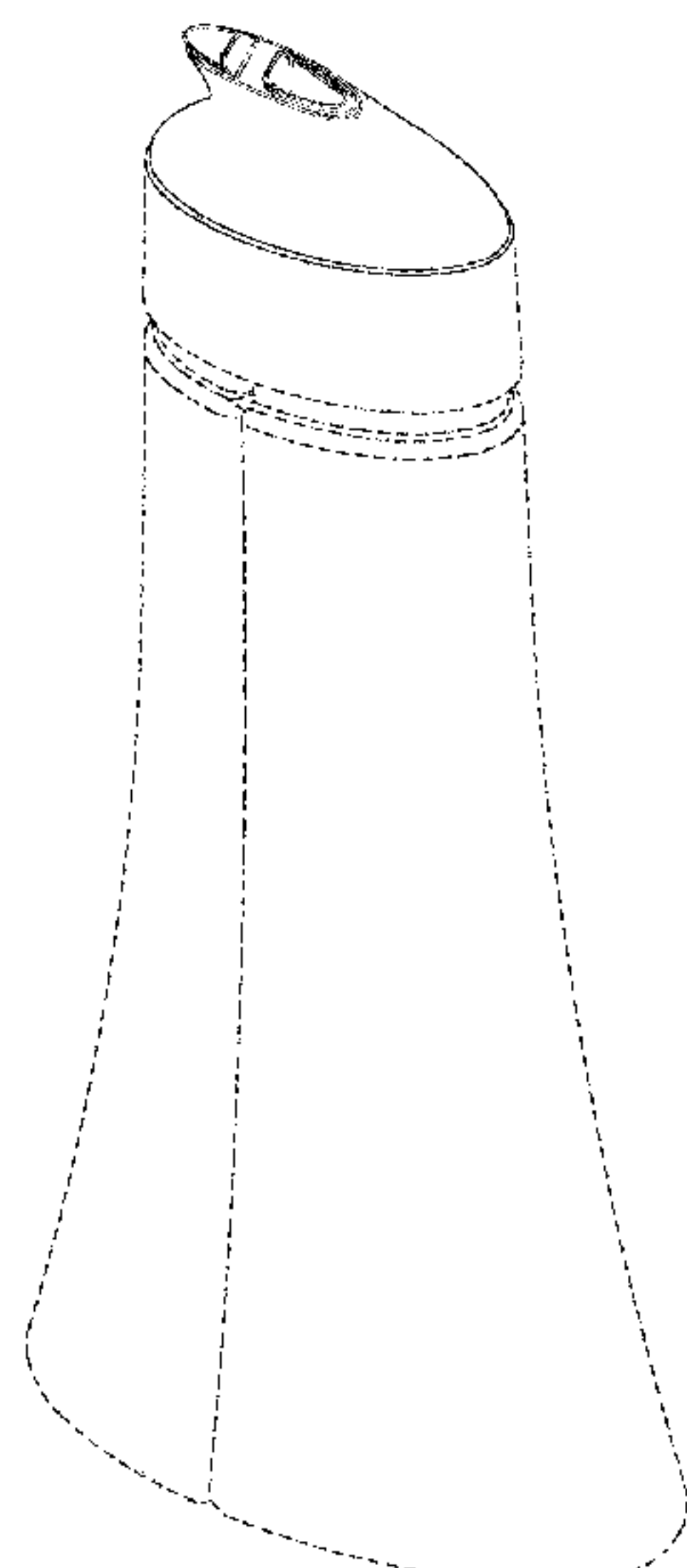
FIG. 1 is a perspective view of a dispensing bottle cap showing the new design.
 FIG. 2 is a right side view thereof.
 FIG. 3 is a left side view thereof.
 FIG. 4 is a front view thereof.
 FIG. 5 is a top view thereof.
 FIG. 6 is a bottom view thereof; and,
 FIG. 7. is a rear view thereof.
 Broken lines are shown for the purpose of illustrating environmental structure and form no part of the claimed design.

1 Claim, 5 Drawing Sheets

(56) **References Cited**

U.S. PATENT DOCUMENTS

D165,577	S *	1/1952	Fuld	D9/447
3,729,553	A	4/1973	Gold et al.		
D234,123	S *	1/1975	Ragagli	D9/447
D289,857	S *	5/1987	Duval et al.	D9/728
5,289,950	A	3/1994	Gentile		
5,392,947	A	2/1995	Gentile		
5,579,957	A	12/1996	Gentile et al.		



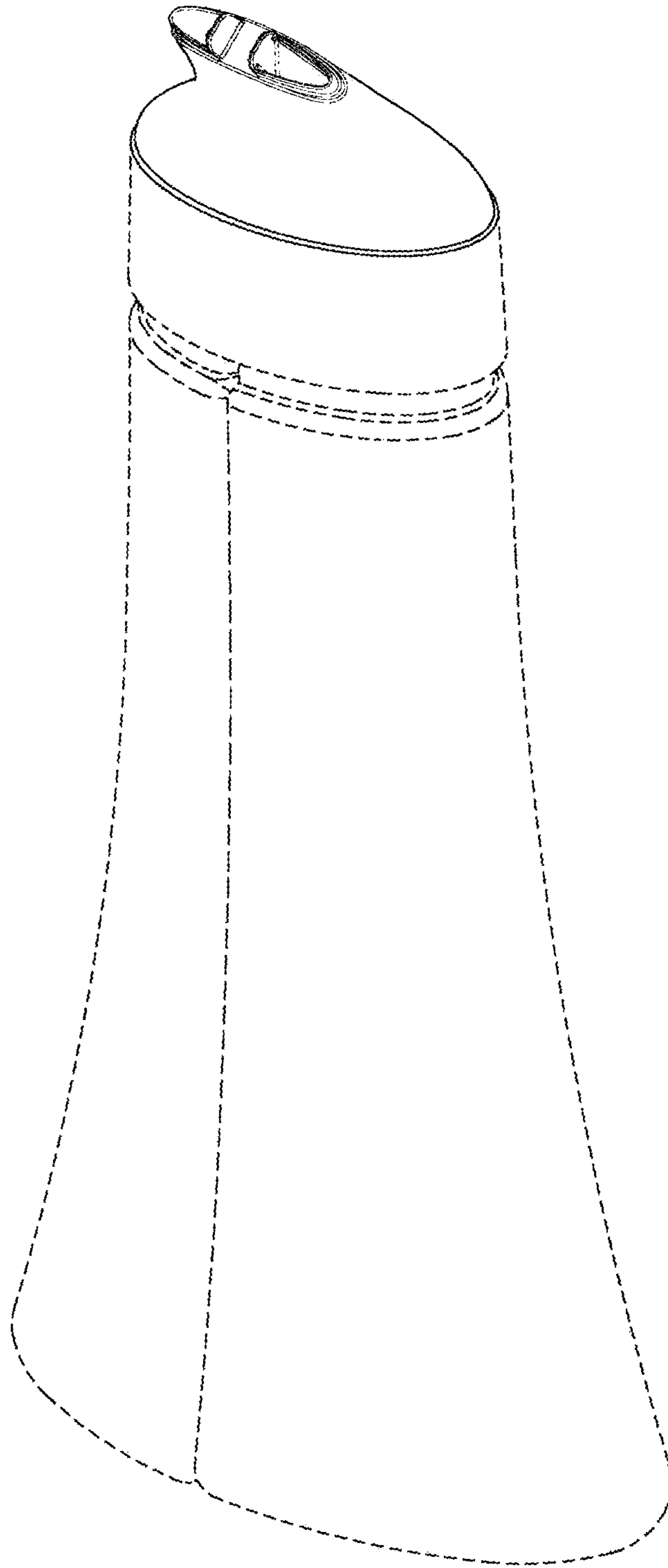


Fig-1

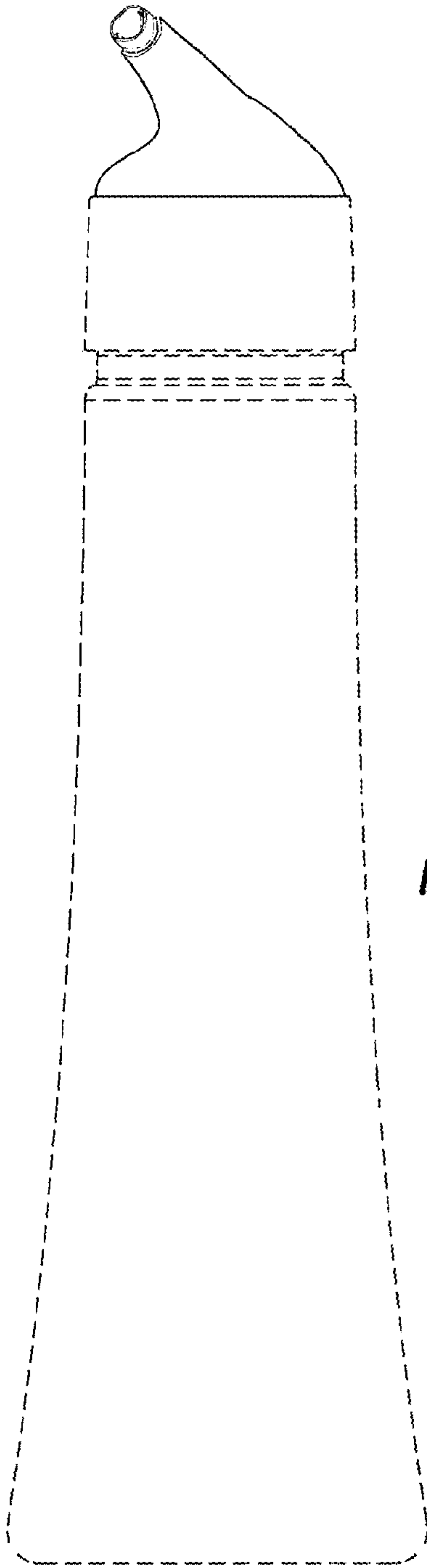


Fig-2

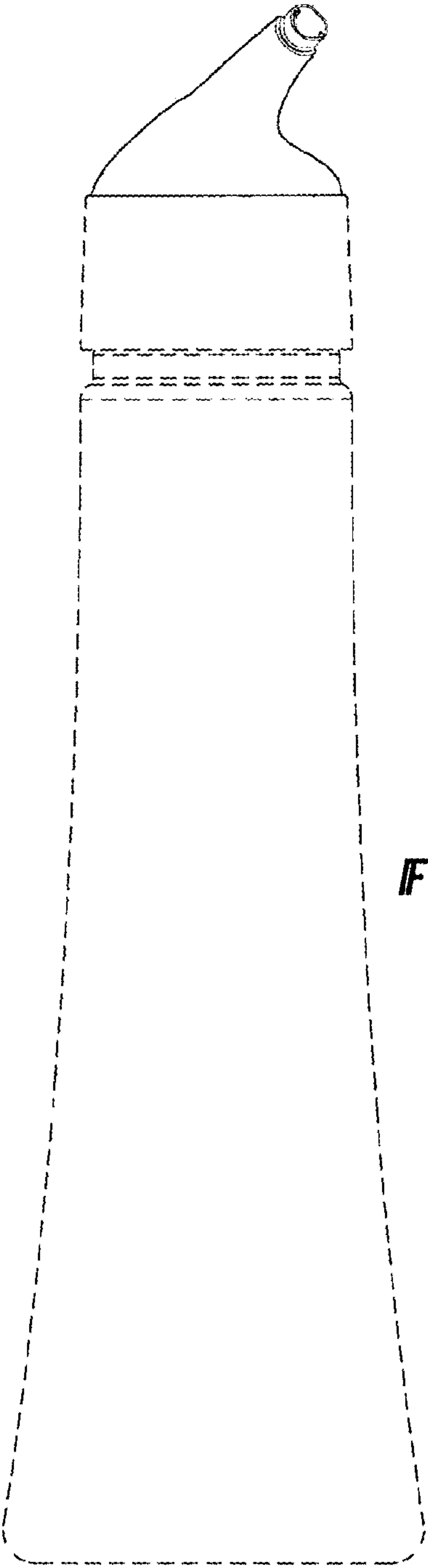


Fig-3

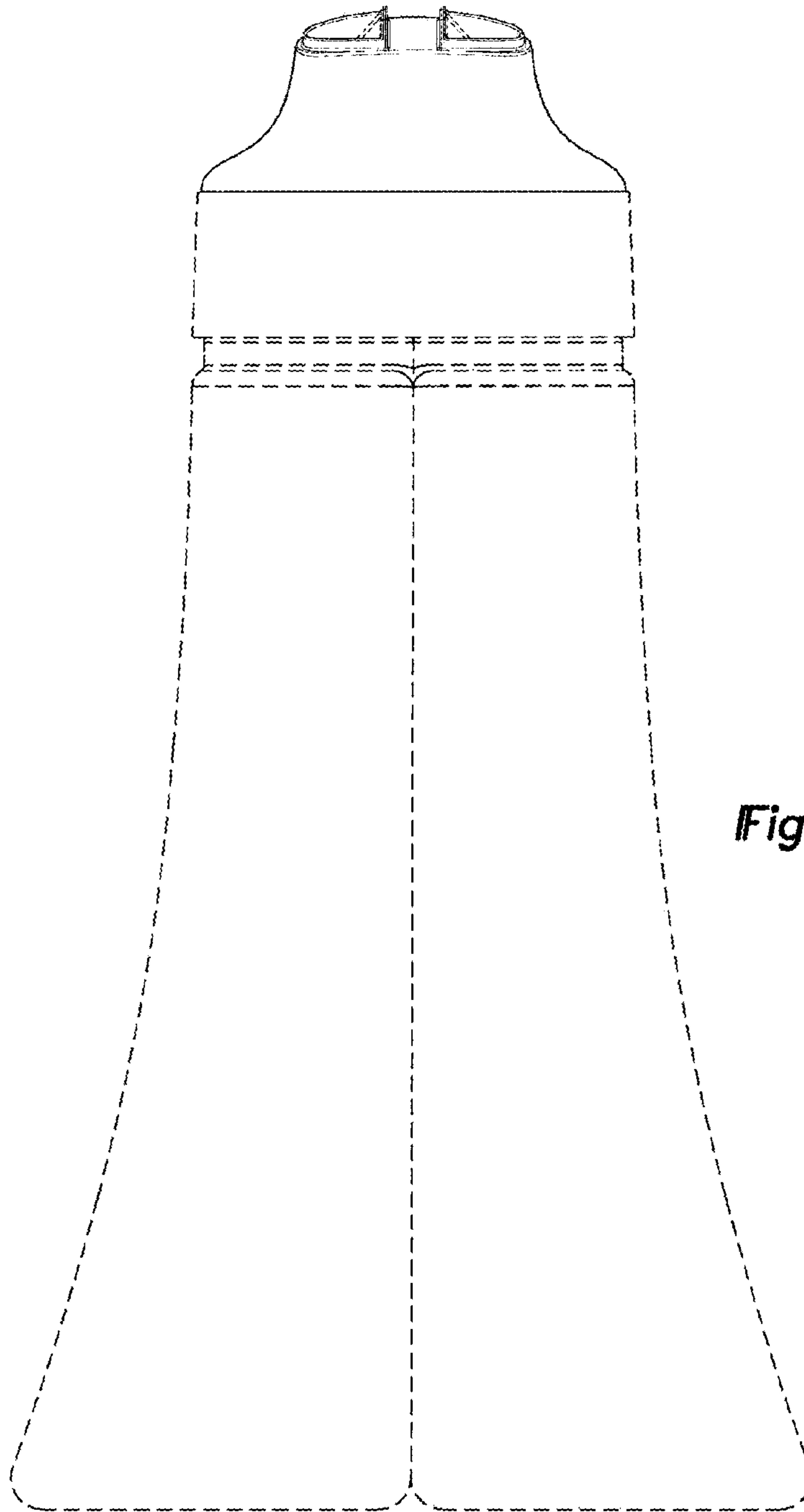


Fig-4

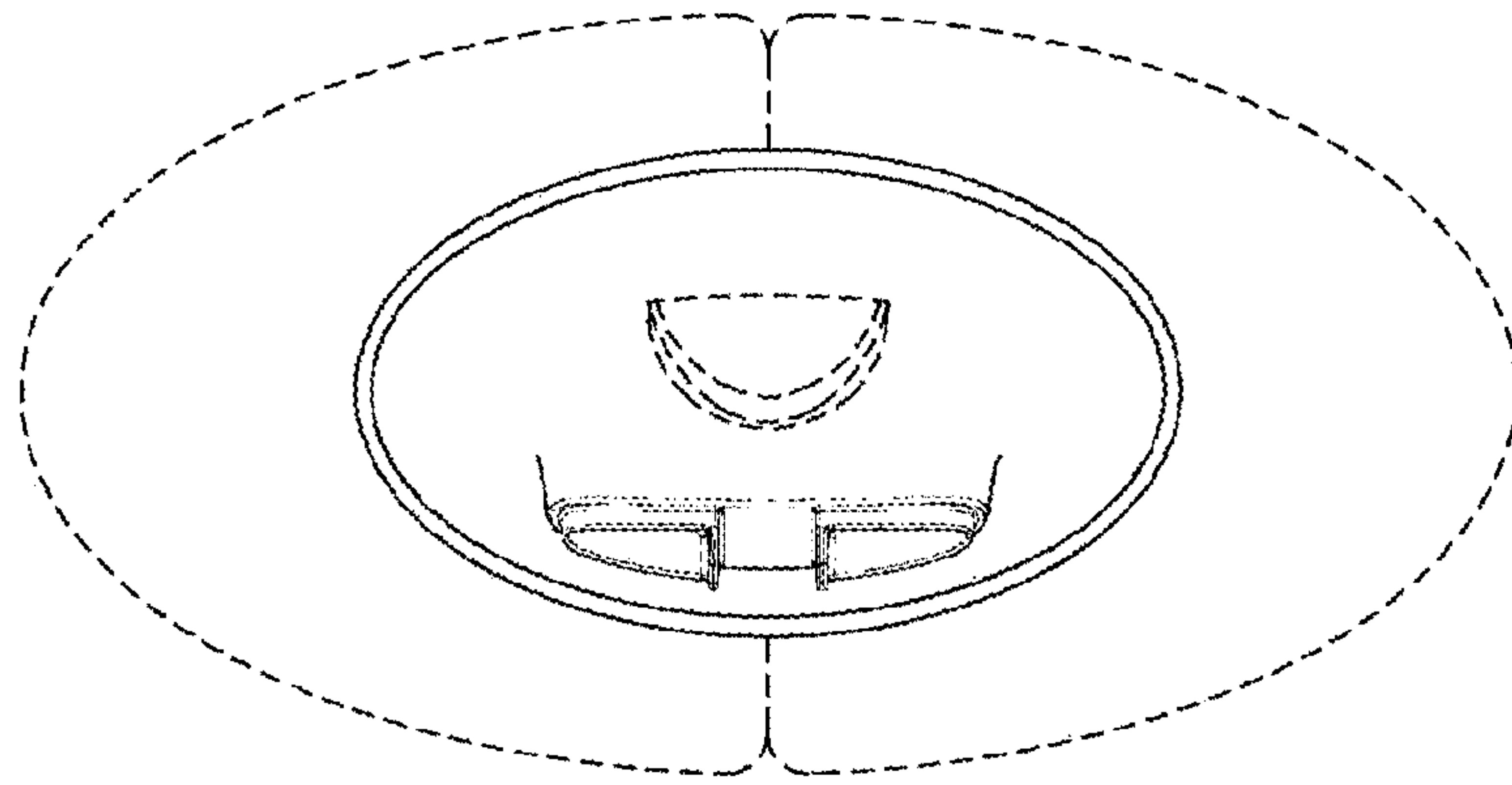


Fig-5

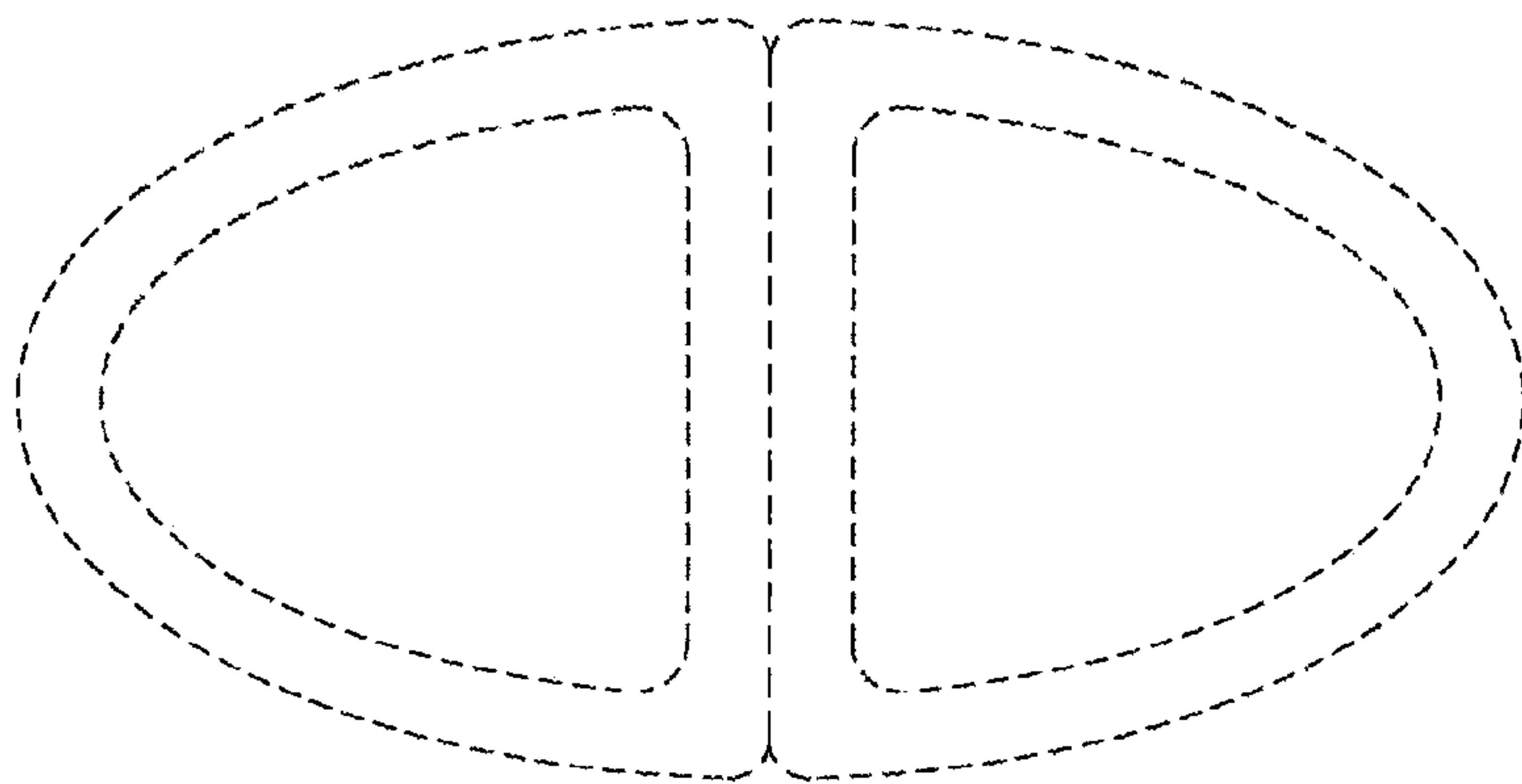


Fig-6

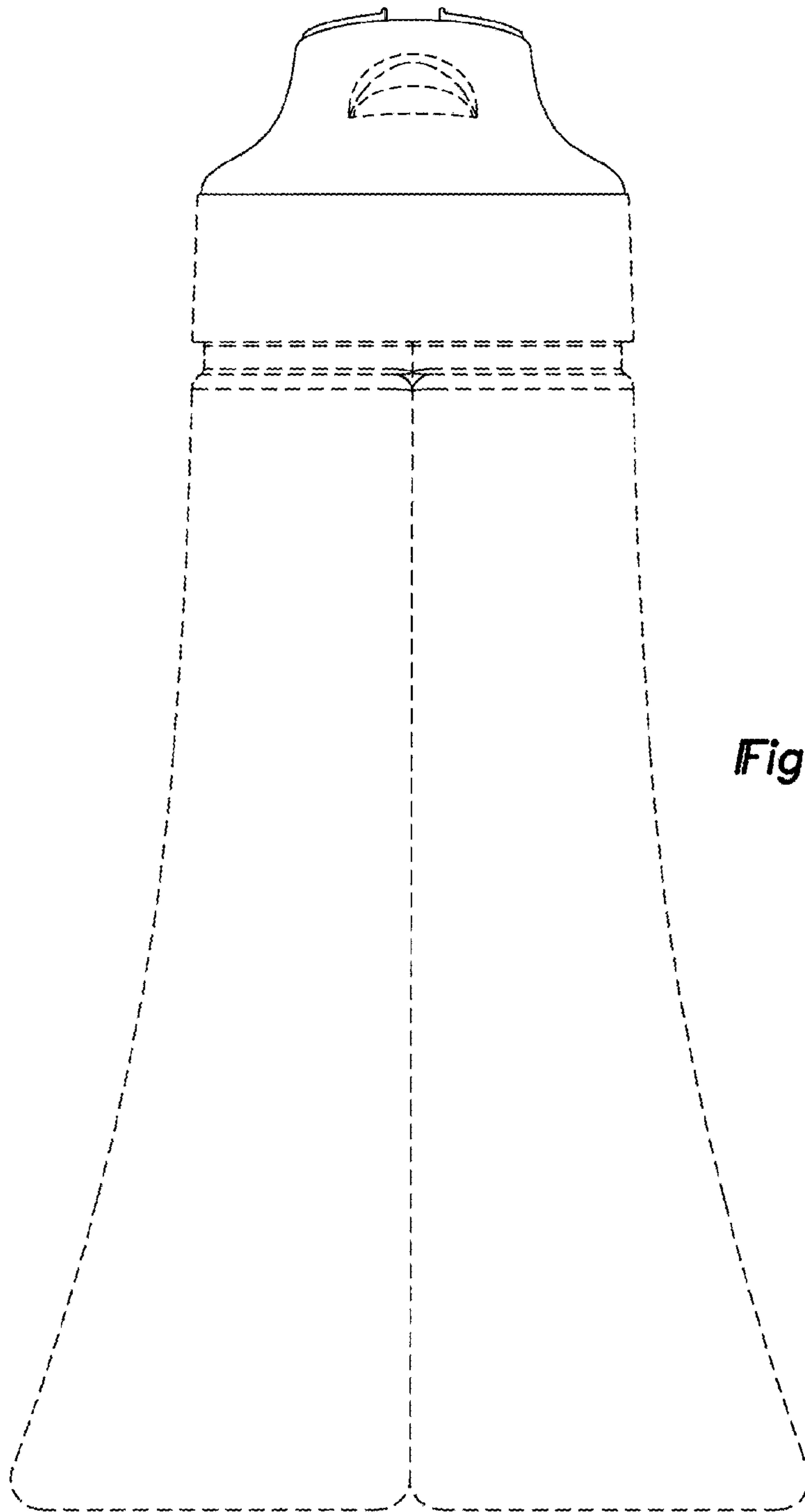


Fig-7