



US00D751900S

(12) **United States Design Patent**
Johnson

(10) **Patent No.:** **US D751,900 S**
(45) **Date of Patent:** **** Mar. 22, 2016**

(54) **WINE BOTTLE NECKTIE ACCESSORY**

(71) Applicant: **Angela Johnson**, Fort Worth, TX (US)

(72) Inventor: **Angela Johnson**, Fort Worth, TX (US)

(**) Term: **14 Years**

(21) Appl. No.: **29/499,980**

(22) Filed: **Aug. 20, 2014**

(51) **LOC (10) Cl.** **09-01**

(52) **U.S. Cl.**
USPC **D9/444**

(58) **Field of Classification Search**

USPC D9/434-436, 438, 443-450, 452-454,
D9/499; D7/387, 392, 393, 396.2, 510,
D7/511; D3/202, 294, 318; 215/28, 41,
215/201, 216, 224, 230, 235, 237, 243, 249,
215/256, 306, 316, 317, 396; 220/252,
220/254.1, 254.2-254.4, 258.2, 263, 367.1,
220/375, 711, 724, 730, 731, 837, 847;
222/109, 153.1, 153.11, 153.14, 464.1,
222/498, 546, 547, 562, 565, 566, 570, 621
CPC A61J 1/1412; B65D 1/02; B65D 1/323;
B65D 25/40; B65D 41/56; B65D 41/62;
B65D 47/06; B65D 47/08

See application file for complete search history.

(56) **References Cited**

U.S. PATENT DOCUMENTS

696,363 A * 3/1902 Fleisch A41D 25/022
2/148
718,730 A * 1/1903 Scheuer A41D 23/00
2/91
1,837,495 A 12/1931 Shaw
1,916,507 A * 7/1933 Green A41D 25/001
2/146
2,221,761 A * 11/1940 Fairbanks G09F 3/04
156/DIG. 14
2,620,478 A * 12/1952 Fraum A41D 23/00
2/146
3,063,590 A * 11/1962 Hopkins B65D 23/065
215/392
3,276,037 A * 10/1966 Englehaupt A41D 23/00
2/146

D333,639 S 3/1993 Matan
D368,000 S 3/1996 Mazza et al.
D403,209 S 12/1998 Zigterman
D422,459 S 4/2000 Webb et al.
6,228,459 B1 * 5/2001 Bujalski B65D 23/065
215/392
7,192,632 B2 * 3/2007 Heldibridle A47G 23/0216
215/392
D613,564 S 4/2010 Goettler
D646,949 S * 10/2011 Zaksenberg D8/103
D666,938 S * 9/2012 Dunn D11/184

(Continued)

Primary Examiner — Karen S Acker

Assistant Examiner — Wendy Arminio

(74) *Attorney, Agent, or Firm* — Decker Jones PC; Brian K. Yost; Geoffrey Mantooth

(57) **CLAIM**

The ornamental design for wine bottle necktie accessory, as shown and described.

DESCRIPTION

FIG. 1 is a perspective front and right-side view of a wine bottle necktie accessory according to my new design shown in a position of use;

FIG. 2 is a front elevation view of the wine bottle necktie accessory of FIG. 1;

FIG. 3 is a rear elevation view of the wine bottle necktie accessory of FIG. 1;

FIG. 4 is a left-side elevation view of the wine bottle necktie accessory shown in FIG. 1;

FIG. 5 is a right-side elevation view of the wine bottle necktie accessory shown in FIG. 1;

FIG. 6 is a top elevation view of the wine bottle necktie accessory in FIG. 1;

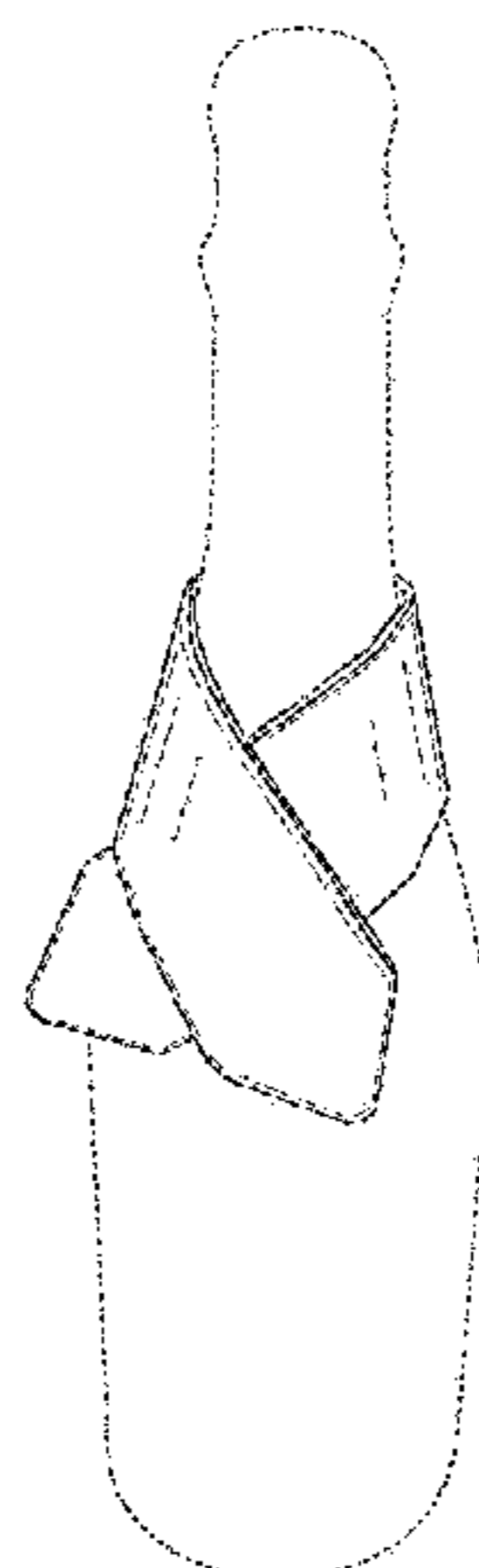
FIG. 7 is a bottom elevation view of the wine bottle necktie accessory shown in FIG. 1; and

FIG. 8 is a rear elevation view of the wine bottle necktie accessory shown in FIG. 1, in an unsecured position; and,

FIG. 9 is a front elevation view of the wine bottle necktie accessory shown in FIG. 1, in an unsecured position.

The broken lines in the drawings depicting a bottle and fasteners illustrate environment that forms no part of the claimed design.

1 Claim, 8 Drawing Sheets



US D751,900 S

Page 2

(56)

References Cited

U.S. PATENT DOCUMENTS

D676,749 S 2/2013 Sanders
D689,339 S 9/2013 Bodechon
D694,989 S * 12/2013 Kelly D2/502
D726,391 S * 4/2015 Clark D2/502

D726,570 S * 4/2015 Puterman D11/3
D734,167 S * 7/2015 Richard D9/719
2010/0098900 A1* 4/2010 Draghici A47G 23/0241
428/80
2011/0035965 A1* 2/2011 Kay A43B 23/25
36/136
2013/0032567 A1* 2/2013 Mueller 215/386
* cited by examiner

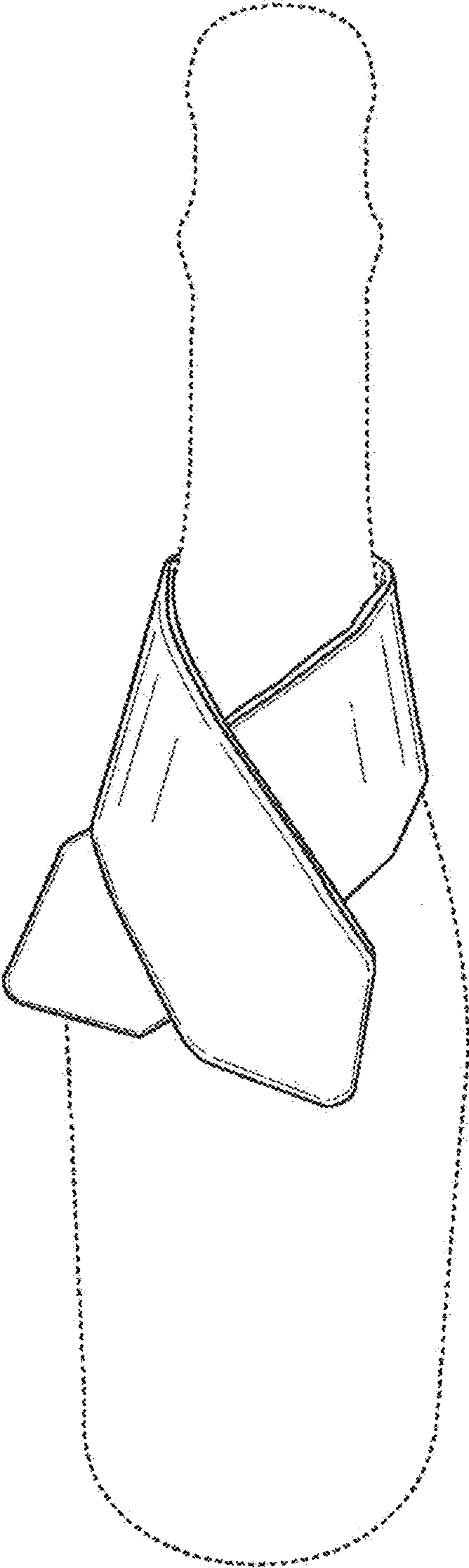


FIG. 1

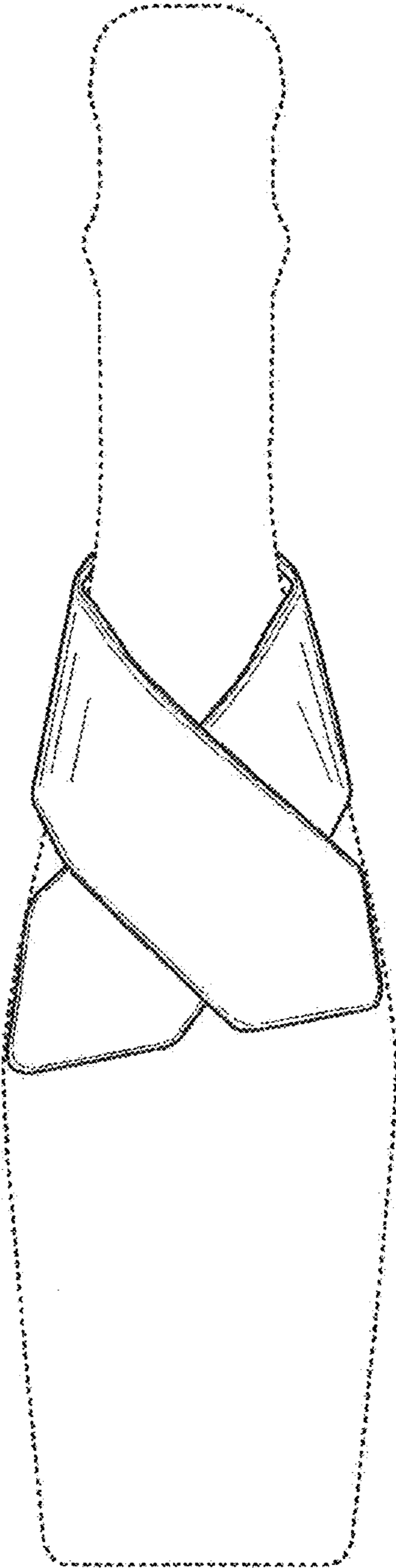


FIG. 2

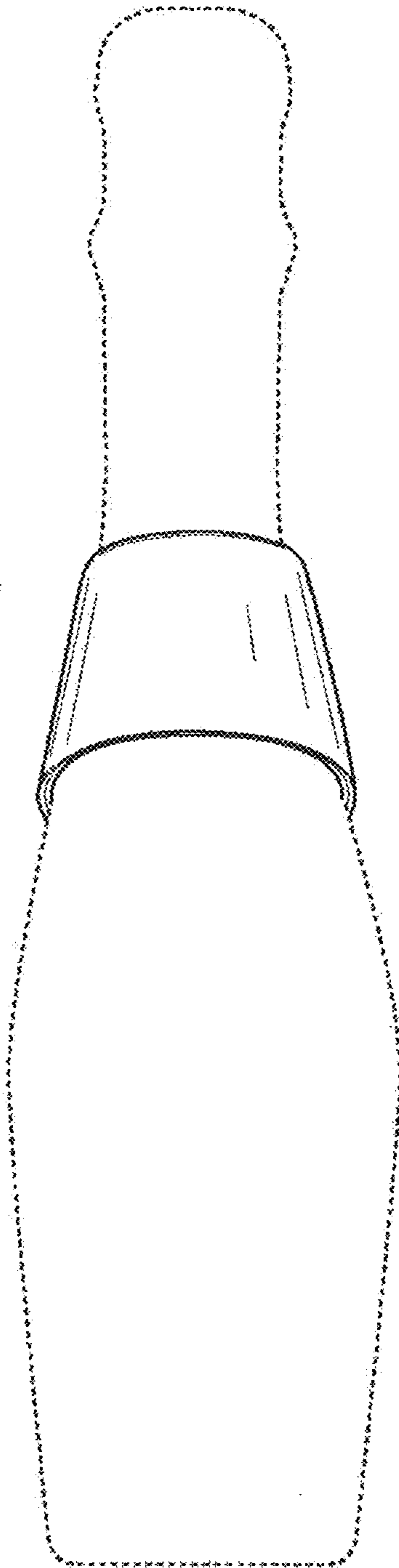


FIG. 3

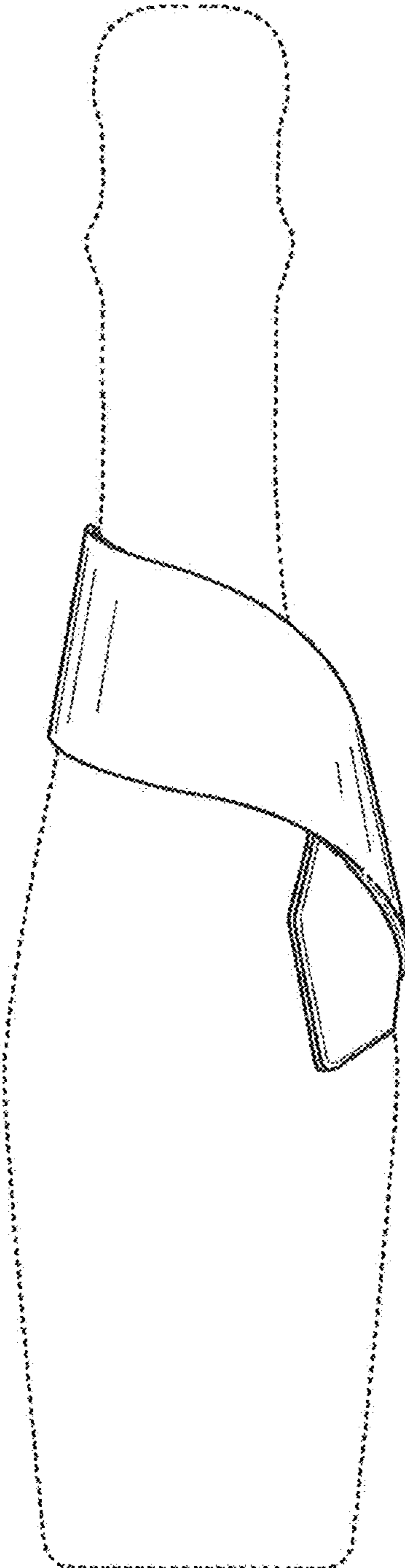


FIG. 4

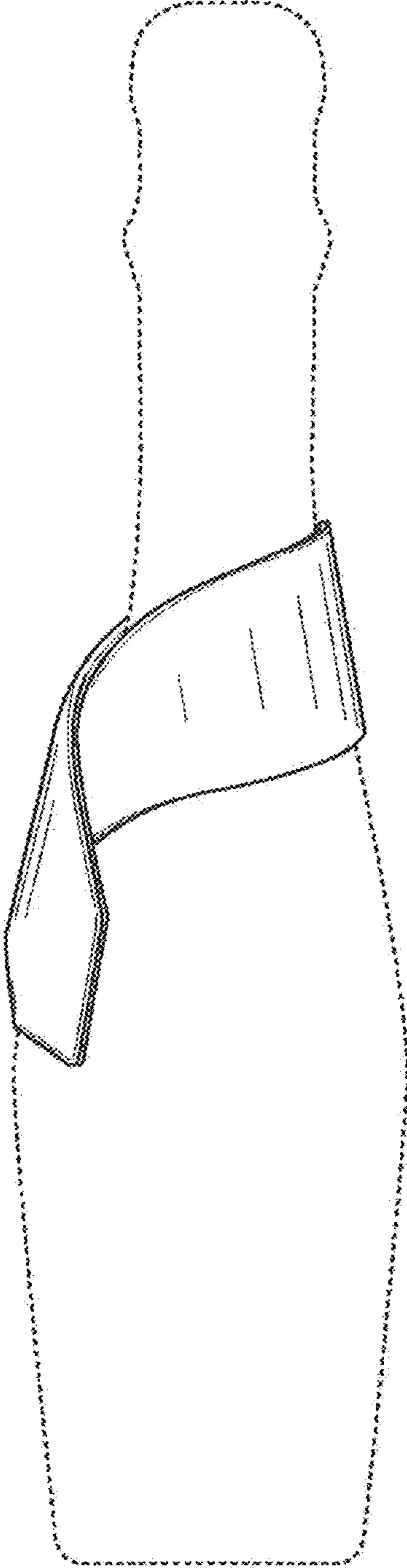


FIG. 5

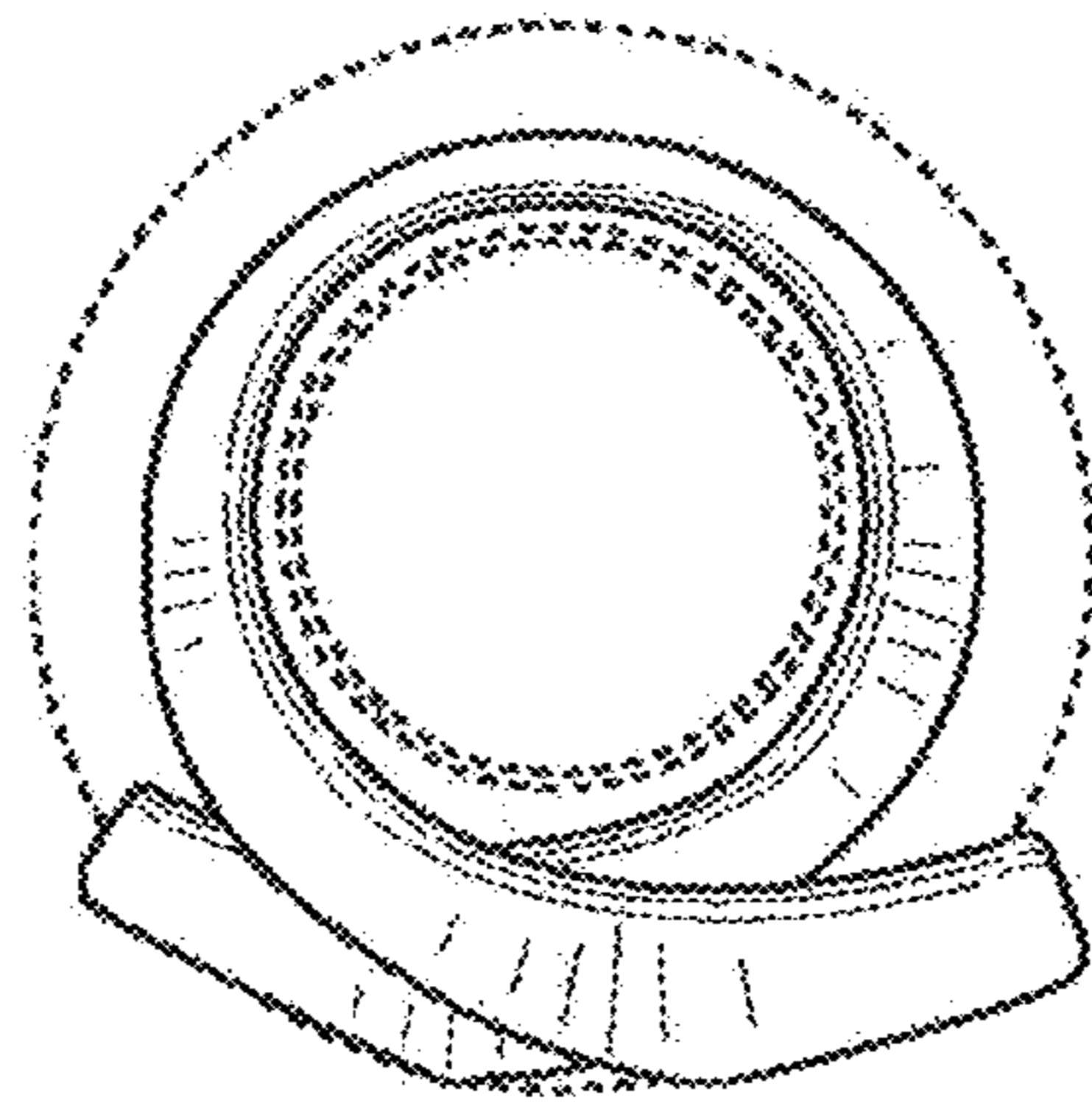


FIG. 6

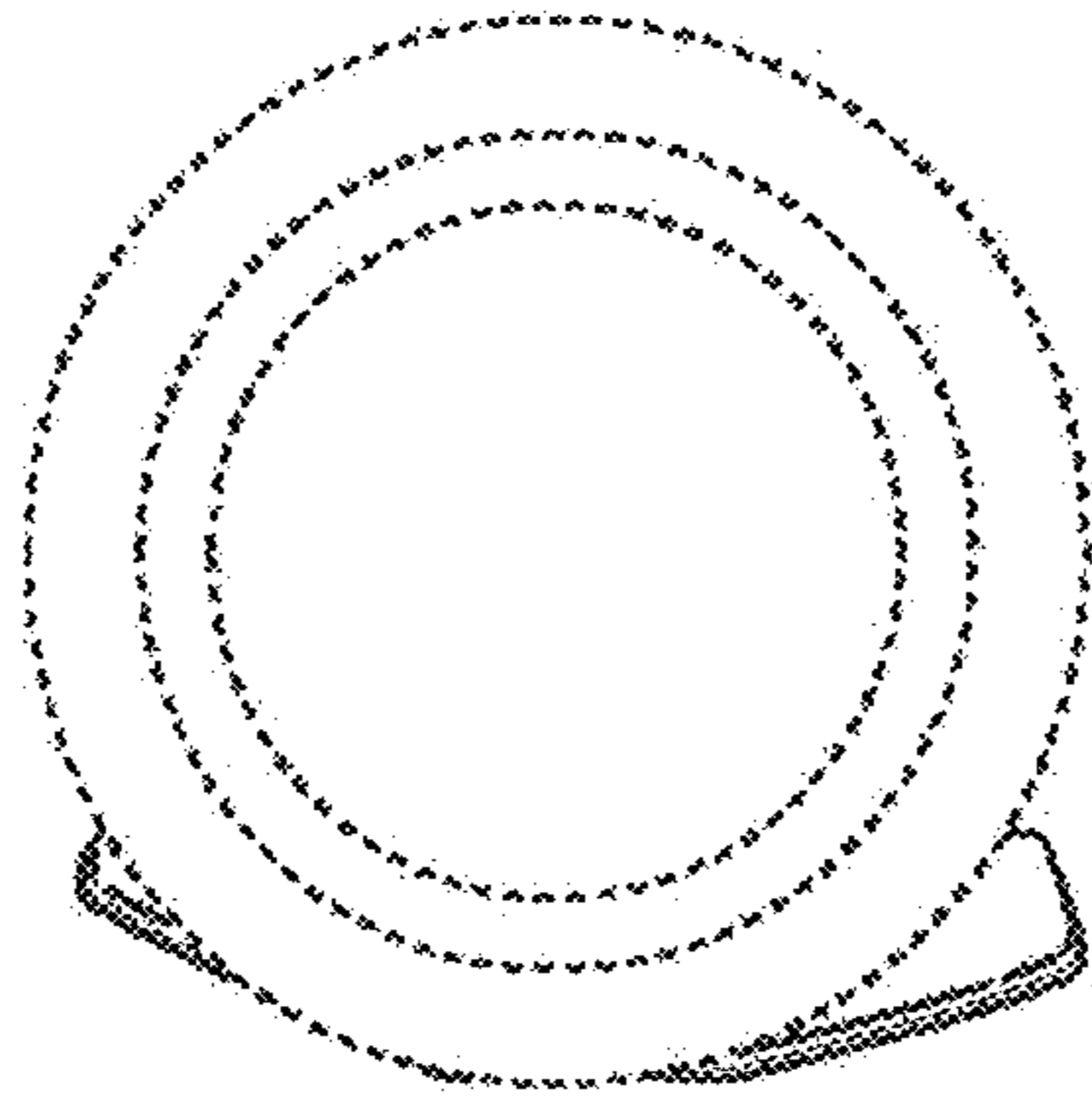


FIG. 7

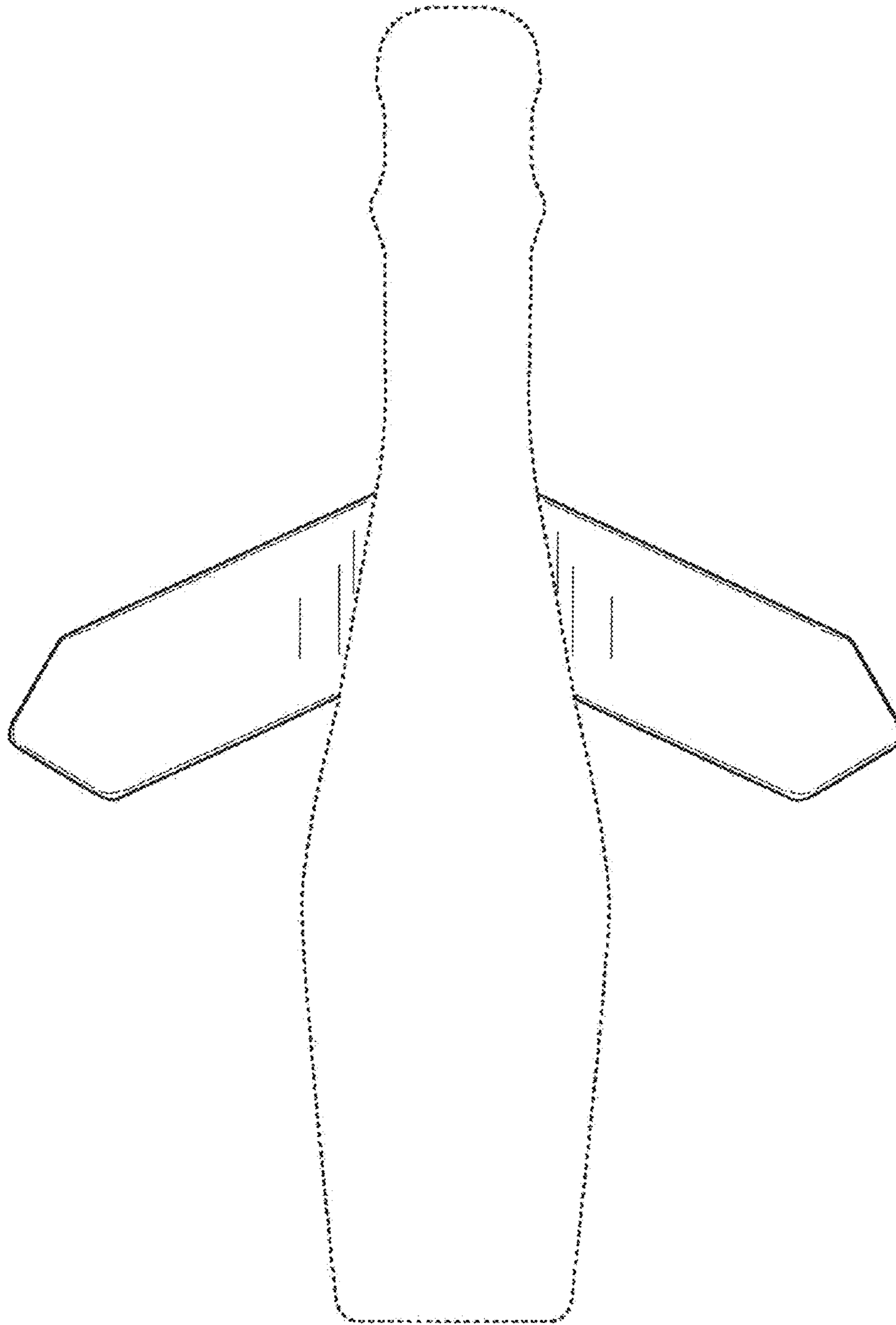


FIG. 8

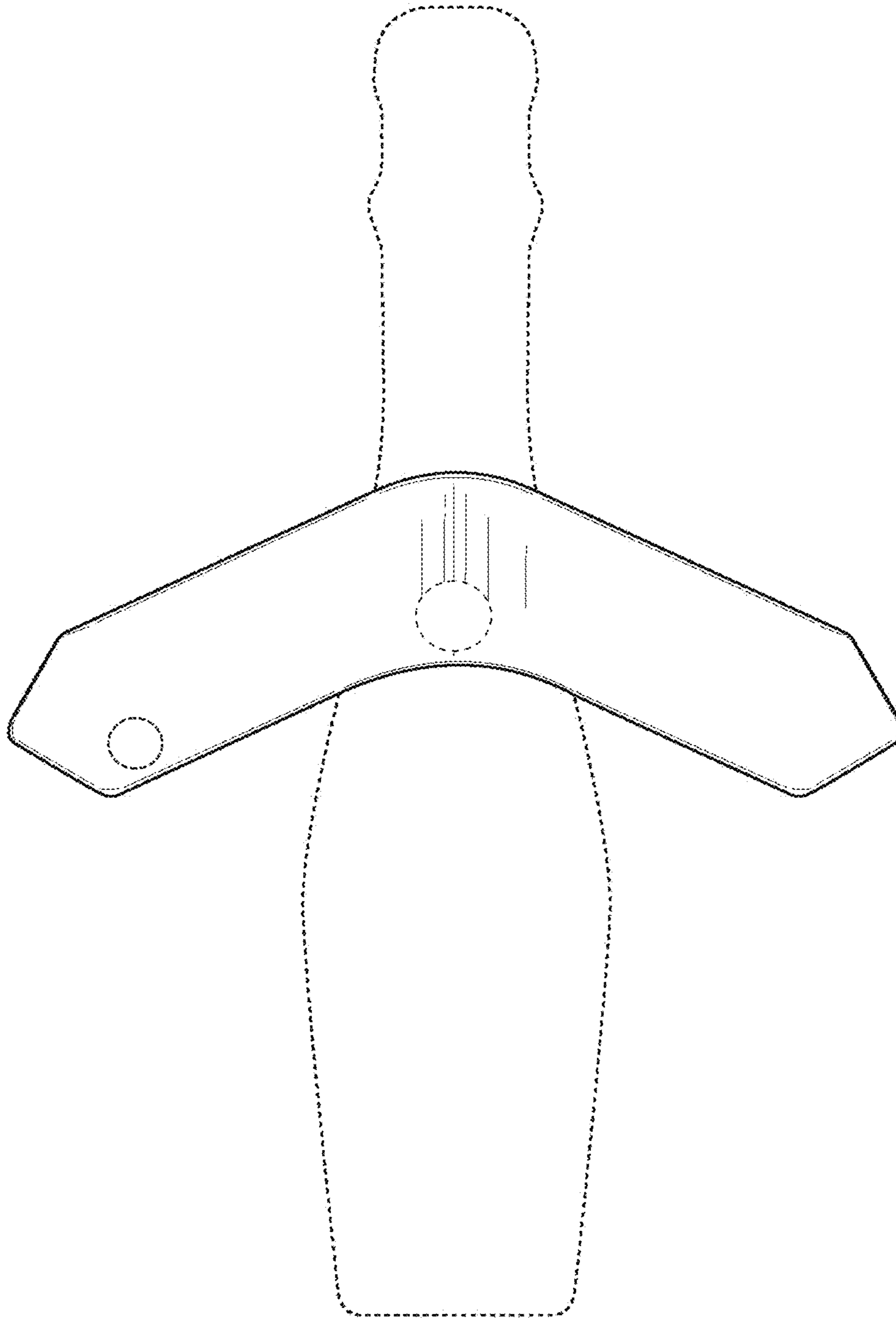


FIG. 9