



US00D751890S

(12) **United States Design Patent**
Dubble et al.

(10) **Patent No.:** **US D751,890 S**
(45) **Date of Patent:** **** Mar. 22, 2016**

(54) **COMBINED TOWEL CLIP AND BOTTLE OPENER**

(71) Applicants: **Roger Williams Dubble**, Birmingham, AL (US); **Ann Christine Zinser**, Birmingham, AL (US)

(72) Inventors: **Roger Williams Dubble**, Birmingham, AL (US); **Ann Christine Zinser**, Birmingham, AL (US)

(**) Term: **14 Years**

(21) Appl. No.: **29/439,659**

(22) Filed: **Dec. 13, 2012**

(51) **LOC (10) Cl.** **08-08**

(52) **U.S. Cl.**
USPC **D8/395**

(58) **Field of Classification Search**
USPC D8/394, 395, 396; D11/215, 216; D3/215; D19/65; 24/3.1, 499, 509, 24/459; 81/3.55; 7/151
CPC A44C 7/006; A44B 99/00; D06F 55/02; A24F 19/0042; B67B 7/16; B67B 7/403
See application file for complete search history.

(56) **References Cited**

U.S. PATENT DOCUMENTS

D249,128 S *	8/1978	Stookey	D10/74
D289,009 S *	3/1987	Salacuse	D8/373
D302,568 S *	8/1989	Berger	D19/65
D306,876 S *	3/1990	Greenhut et al.	D19/65
4,979,703 A *	12/1990	Fleming	248/65
D365,017 S *	12/1995	Rohrig	D8/394

D390,493 S *	2/1998	Fletcher	D11/78.1
D506,783 S *	6/2005	Siegel	D19/65
D552,461 S *	10/2007	Oas	D8/395
D641,614 S *	7/2011	Pontaoe	D8/394
D667,724 S *	9/2012	Mangano	D8/395
D676,313 S *	2/2013	Zimmerer	D8/394
D676,737 S *	2/2013	Zimmerer	D8/394
D684,849 S *	6/2013	Bylsma	D8/395
D697,787 S *	1/2014	Garcia	D8/395
D704,541 S *	5/2014	Goodman et al.	D8/395
D715,630 S *	10/2014	Szymanski	D8/395
D720,816 S *	1/2015	Nelson et al.	D21/453
2008/0201862 A1 *	8/2008	Menard-Flanagan	7/151
2010/0088863 A1 *	4/2010	Moy	24/459

* cited by examiner

Primary Examiner — John Windmuller
Assistant Examiner — Steven Czyz

(74) *Attorney, Agent, or Firm* — Clark & Brody

(57) **CLAIM**

The ornamental design for a combined towel clip and bottle opener, as shown and described.

DESCRIPTION

FIG. 1 is a front perspective view of a combined towel clip and bottle opener showing our new design. FIG. 2 is a front elevation view thereof. FIG. 3 is a top plan view thereof. FIG. 4 is a bottom view thereof. FIG. 5 is a left side elevation view thereof. The right side elevation is a mirror image of FIG. 5; and, FIG. 6 is a rear elevation view thereof. The broken lines depict portions of the article that form no part of the claimed design.

1 Claim, 5 Drawing Sheets

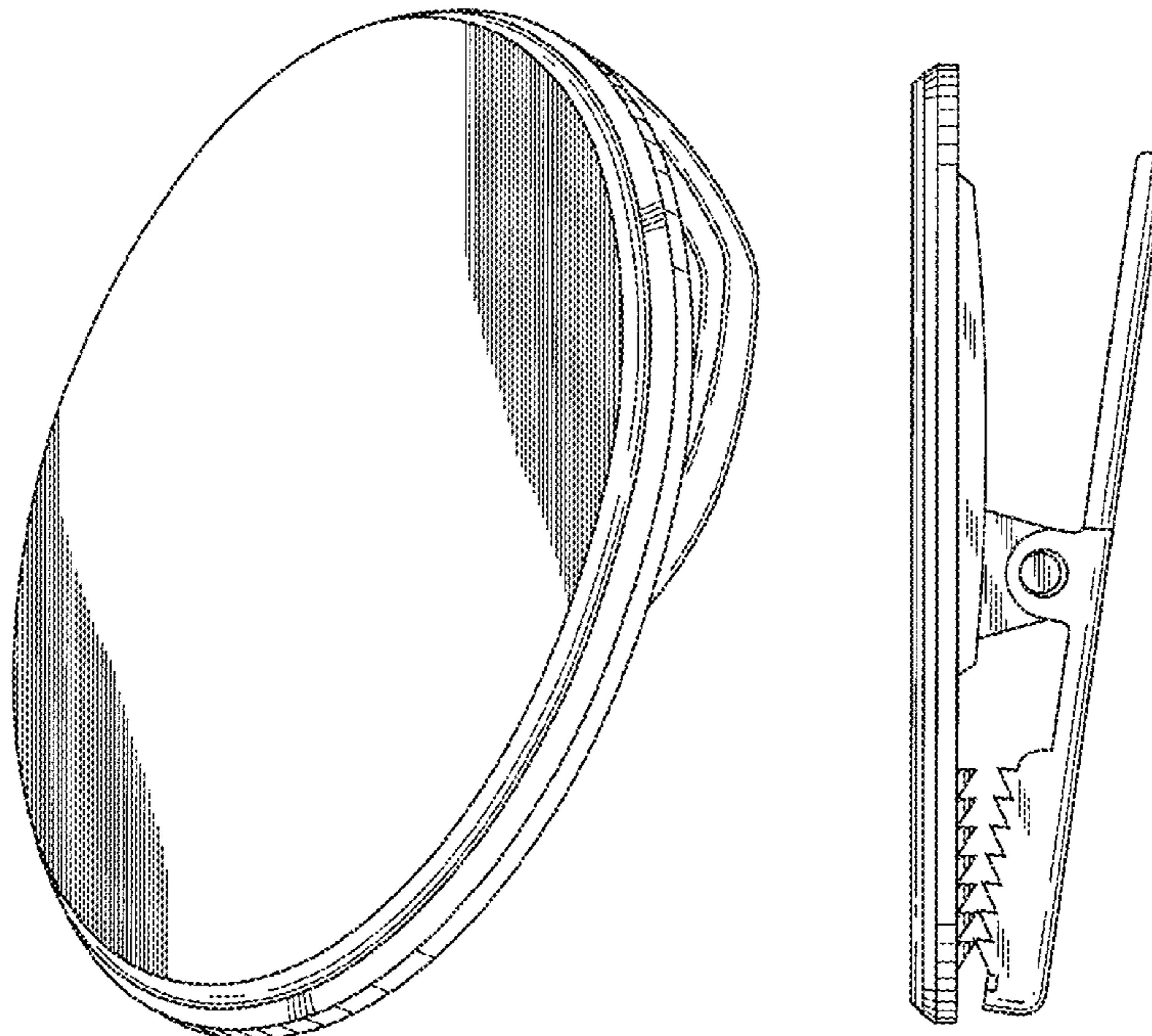


FIG. 1

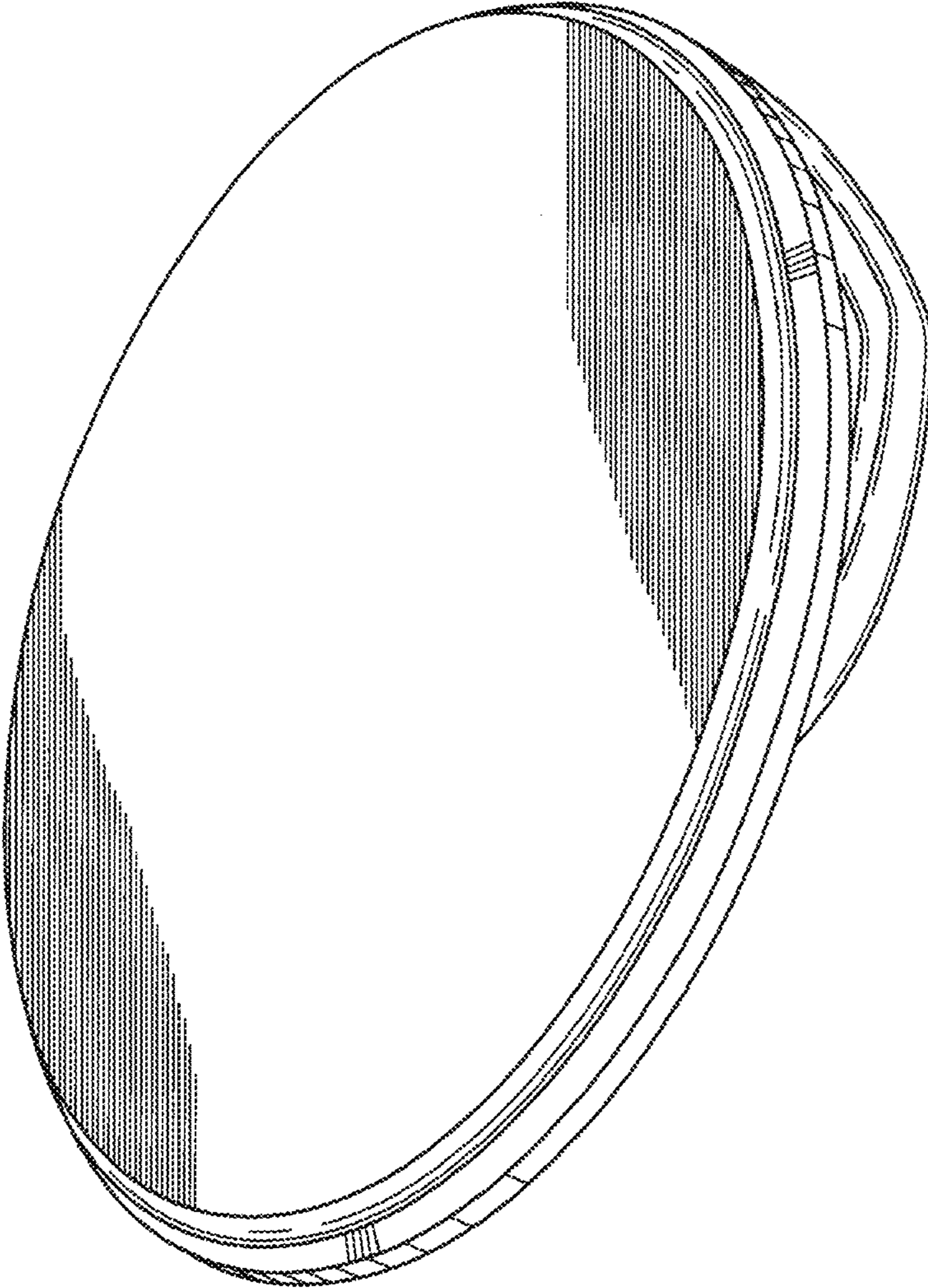


FIG. 2

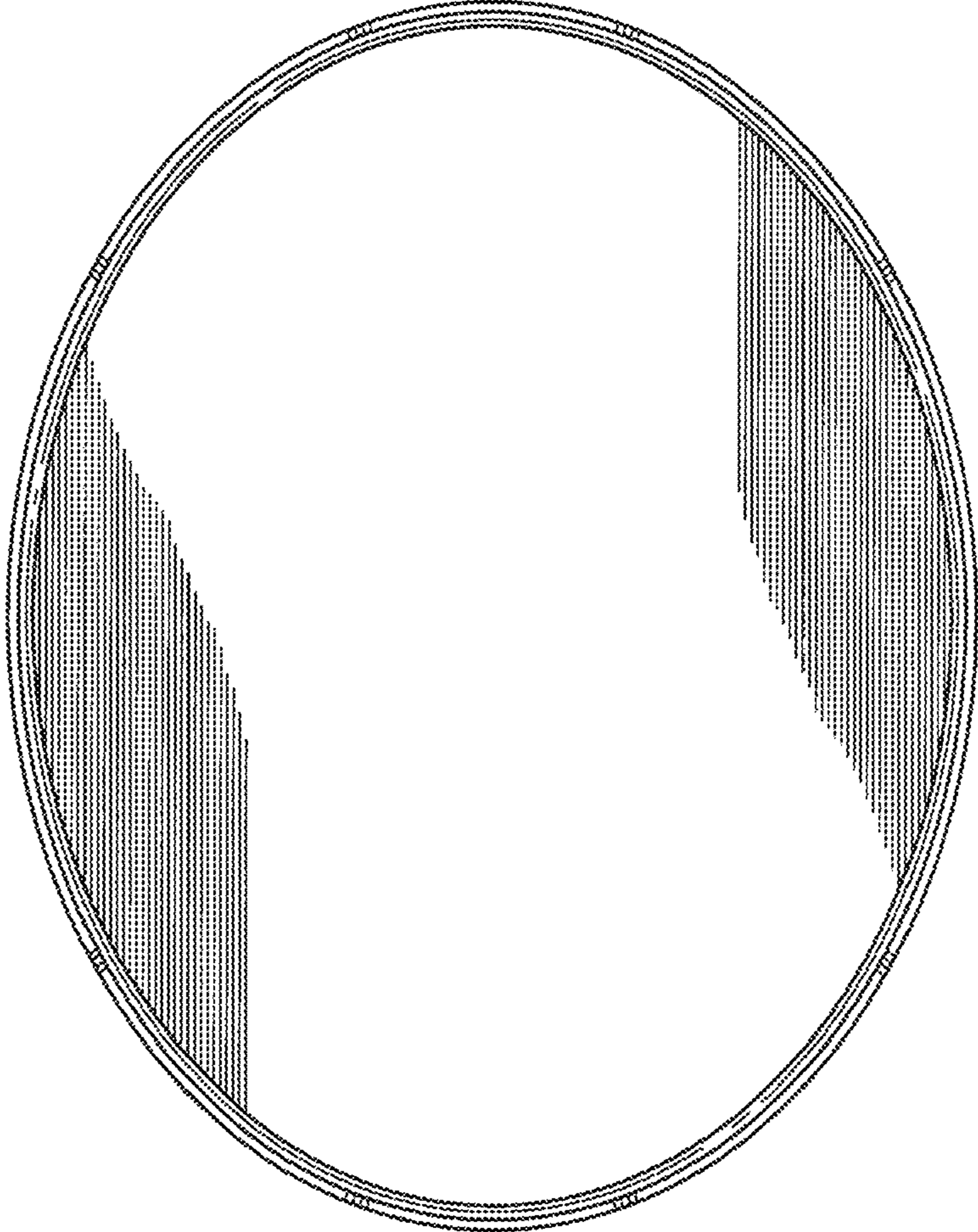


FIG. 3

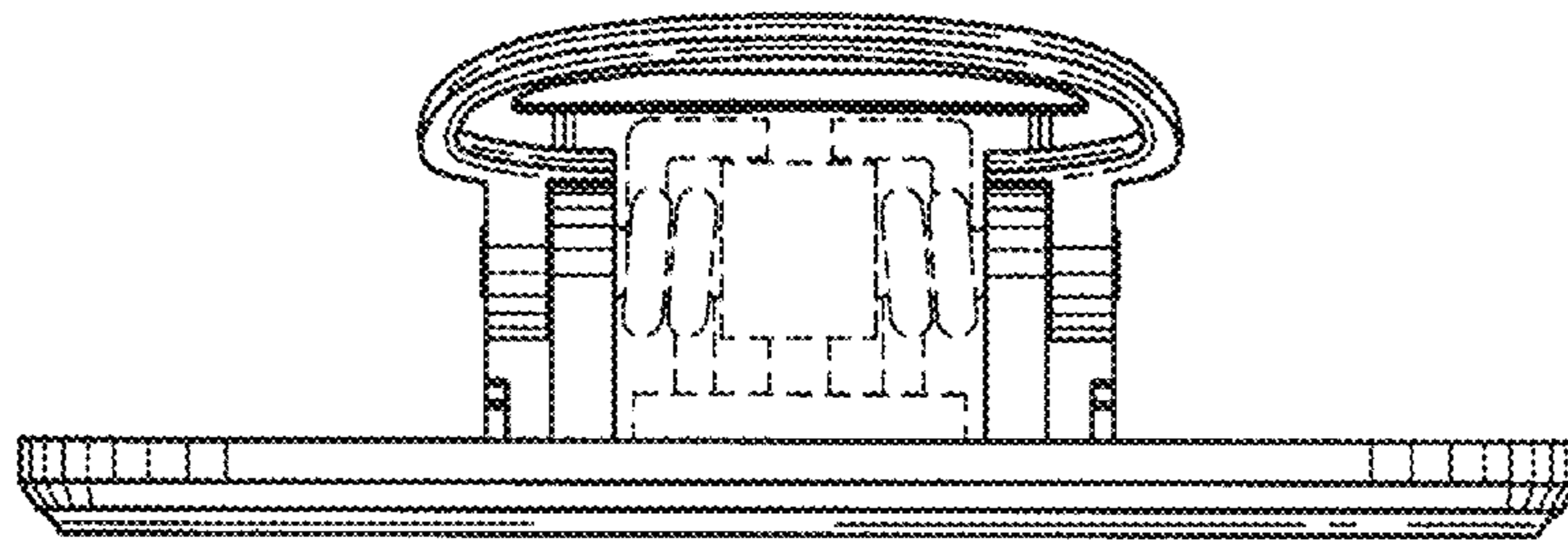


FIG. 4

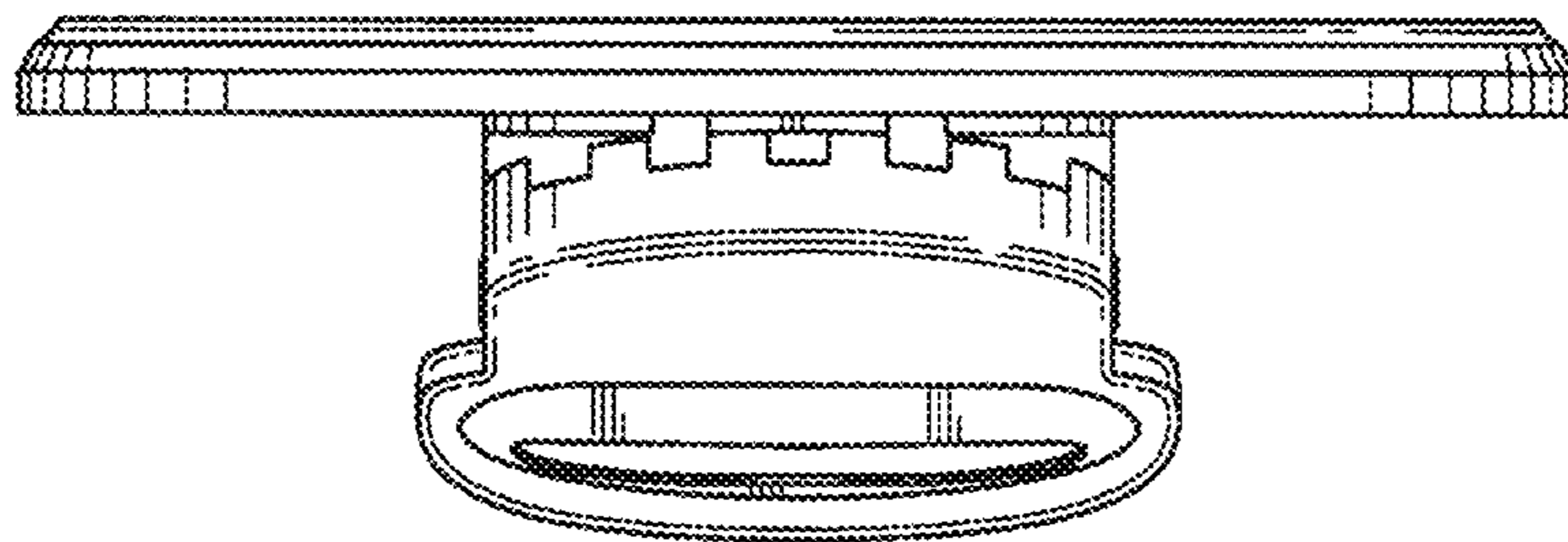


FIG. 5

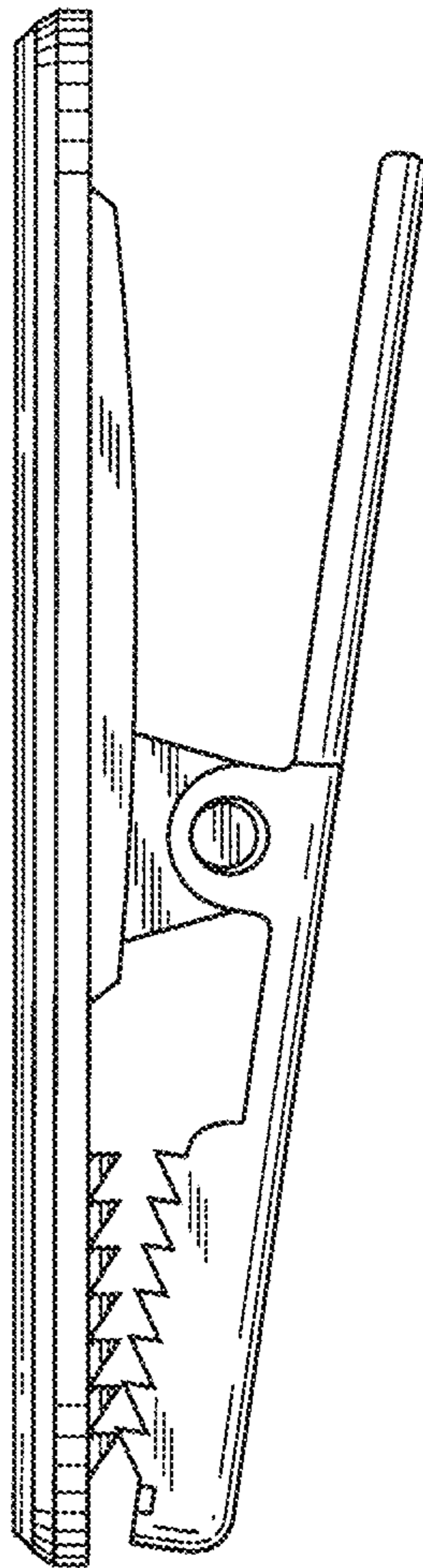


FIG. 6

