



US00D751889S

(12) **United States Design Patent**  
**Thiltgès**

(10) **Patent No.:** **US D751,889 S**  
(45) **Date of Patent:** **\*\* Mar. 22, 2016**

(54) **MULTI-FUNCTION HOLDER**  
(71) Applicant: **Guy Thiltgès**, Rhode-St-Genèse (BE)  
(72) Inventor: **Guy Thiltgès**, Rhode-St-Genèse (BE)  
(\*\*) Term: **14 Years**

D468,358 S \* 1/2003 Chen ..... D19/65  
D493,487 S \* 7/2004 Nuttall ..... D19/65  
D599,651 S \* 9/2009 Riggsbee ..... D8/395  
D676,737 S \* 2/2013 Zimmerer ..... D8/394  
D703,267 S \* 4/2014 Harvey Pennaz ..... D19/86  
D729,655 S \* 5/2015 Bauer ..... D10/70

(21) Appl. No.: **29/518,420**  
(22) Filed: **Feb. 24, 2015**

**FOREIGN PATENT DOCUMENTS**

CN 302658588 \* 11/2013  
CN 302658590 \* 11/2013

(30) **Foreign Application Priority Data**

Sep. 23, 2014 (EM) ..... 0025428780001

(51) **LOC (10) CL.** ..... **08-08**  
(52) **U.S. Cl.**  
USPC ..... **D8/394**

**OTHER PUBLICATIONS**

DemoClient—Magnetic Wall Clips customer reviews—product reviews—read top consumer ratings Mar. 3, 2010, online, <http://reviews.democlientbazaarvoice.com/0010/10005665/reviews.htm?sort=rating>, [site visited Dec. 26, 2015 9:11:50 PM].\*

(Continued)

(58) **Field of Classification Search**  
USPC ..... D8/394–396, 71–74, 499, 354–355  
CPC ..... D06F 55/00; A41B 3/08; A41F 15/02;  
A01K 97/10; A47C 21/022; A47C 9/00;  
A47C 7/66; E04F 21/18; B65G 21/20  
See application file for complete search history.

*Primary Examiner* — John Windmuller  
*Assistant Examiner* — John R Yeh  
(74) *Attorney, Agent, or Firm* — David D. Rodrigues; John Laurence

(56) **References Cited**

(57) **CLAIM**  
The ornamental design for a multi-function holder, as shown.

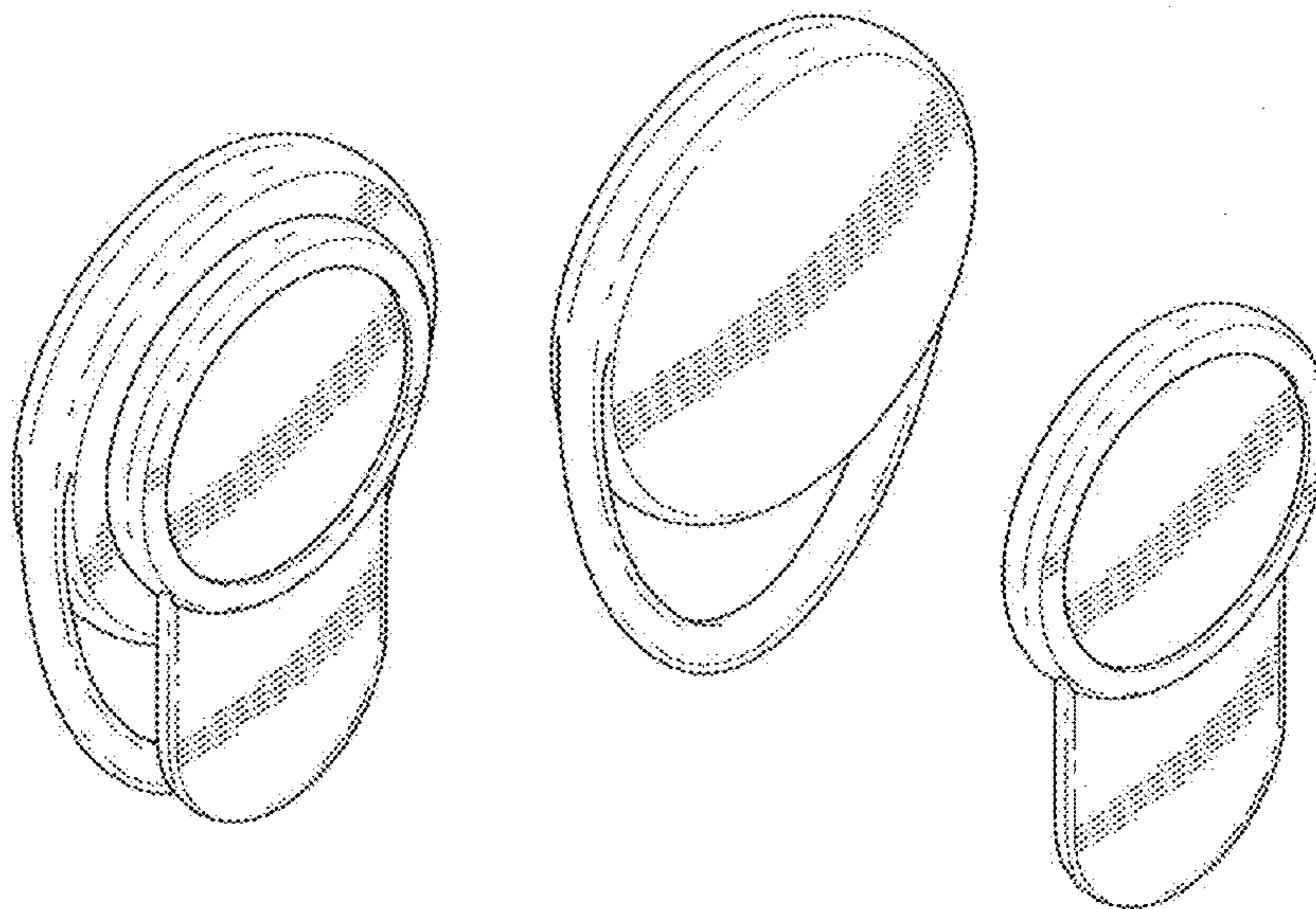
**U.S. PATENT DOCUMENTS**

1,462,193 A \* 7/1923 Cook ..... B42F 3/00  
24/561  
3,604,067 A \* 9/1971 Brown ..... B42F 3/00  
24/326  
D292,677 S \* 11/1987 Jordi ..... D10/2  
D302,568 S \* 8/1989 Berger ..... D19/65  
D346,558 S \* 5/1994 Hiromori ..... D10/30  
D378,531 S \* 3/1997 Szikszay ..... D19/65  
D393,878 S \* 4/1998 Suzuki ..... D19/65  
D406,167 S \* 2/1999 Wolff ..... D19/65  
D406,171 S \* 2/1999 Wolff ..... D19/65  
D454,056 S \* 3/2002 Kung ..... D19/65  
D463,824 S \* 10/2002 Kan ..... D19/65

**DESCRIPTION**

FIG. 1 is a perspective view;  
FIG. 2 is an exploded perspective view;  
FIG. 3 is a rear view;  
FIG. 4 is a front view;  
FIG. 5 is a top lateral view;  
FIG. 6 is a bottom lateral view;  
FIG. 7 is a left side lateral view; and,  
FIG. 8 is a right side lateral view.

**1 Claim, 2 Drawing Sheets**



(56)

**References Cited**

OTHER PUBLICATIONS

ACCO Brands Quartet Magnetic Dry Erase Board Review—OfficeSupplyGeek, online, comment date Oct. 16, 2009, <http://officesupplygeek.com/office-tools/acco-brands-quartet-magnetic-dry-erase-board/>, [site visited Dec. 26, 2015 9:14:06 PM].\*

Master Magnetics Magnetic Decor Hook Chrome Plate, Silver: Wreath Hanger on Glass: Amazon.com, online, review date Jan. 13, 2009, <http://www.amazon.com/Master-Magnetics-07254-Magnetic-Diameter/dp/B000IYO97I#customerReviews>, [site visited Dec. 26, 2015 9:19:30 PM].\*

\* cited by examiner

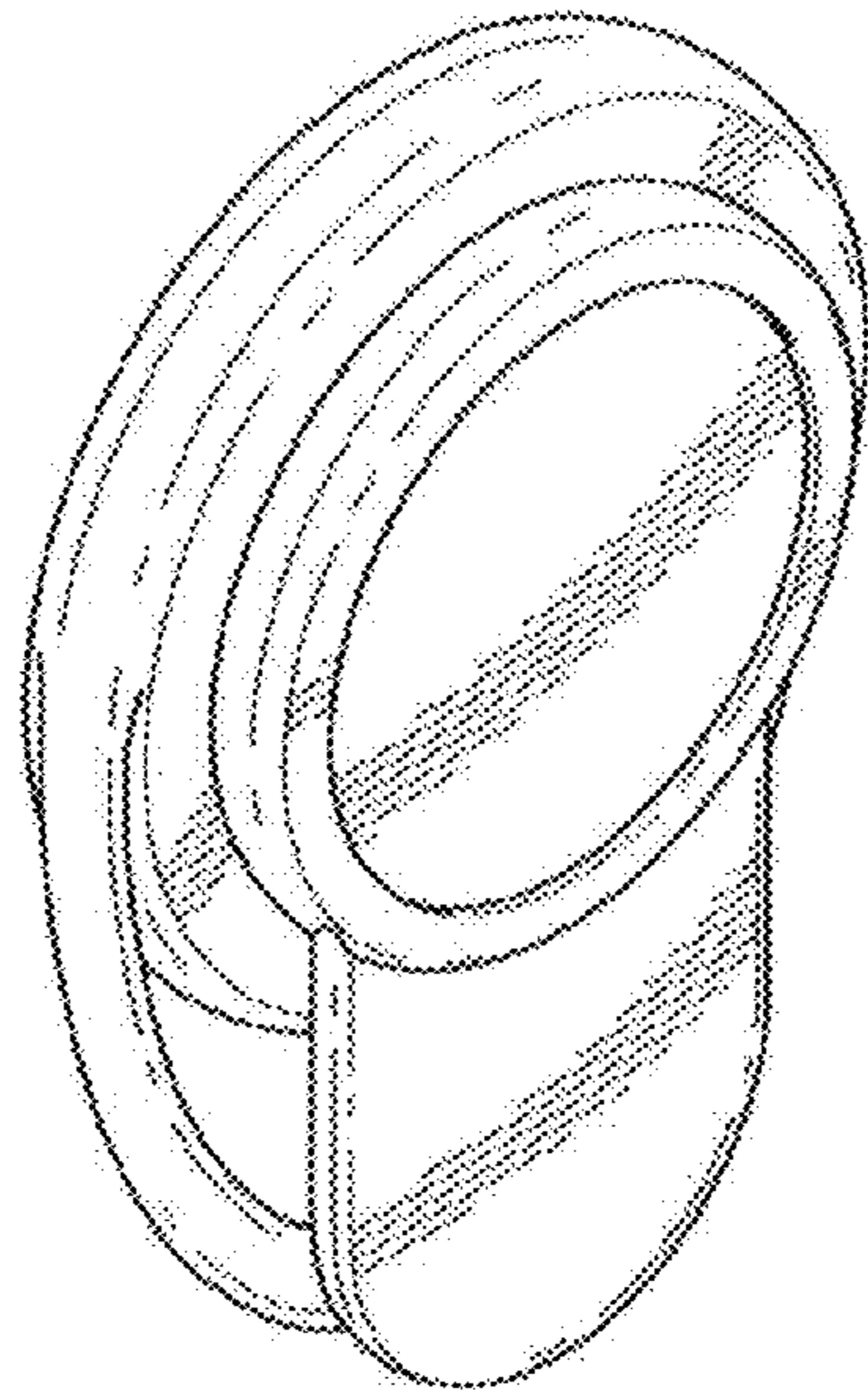


FIG. 1

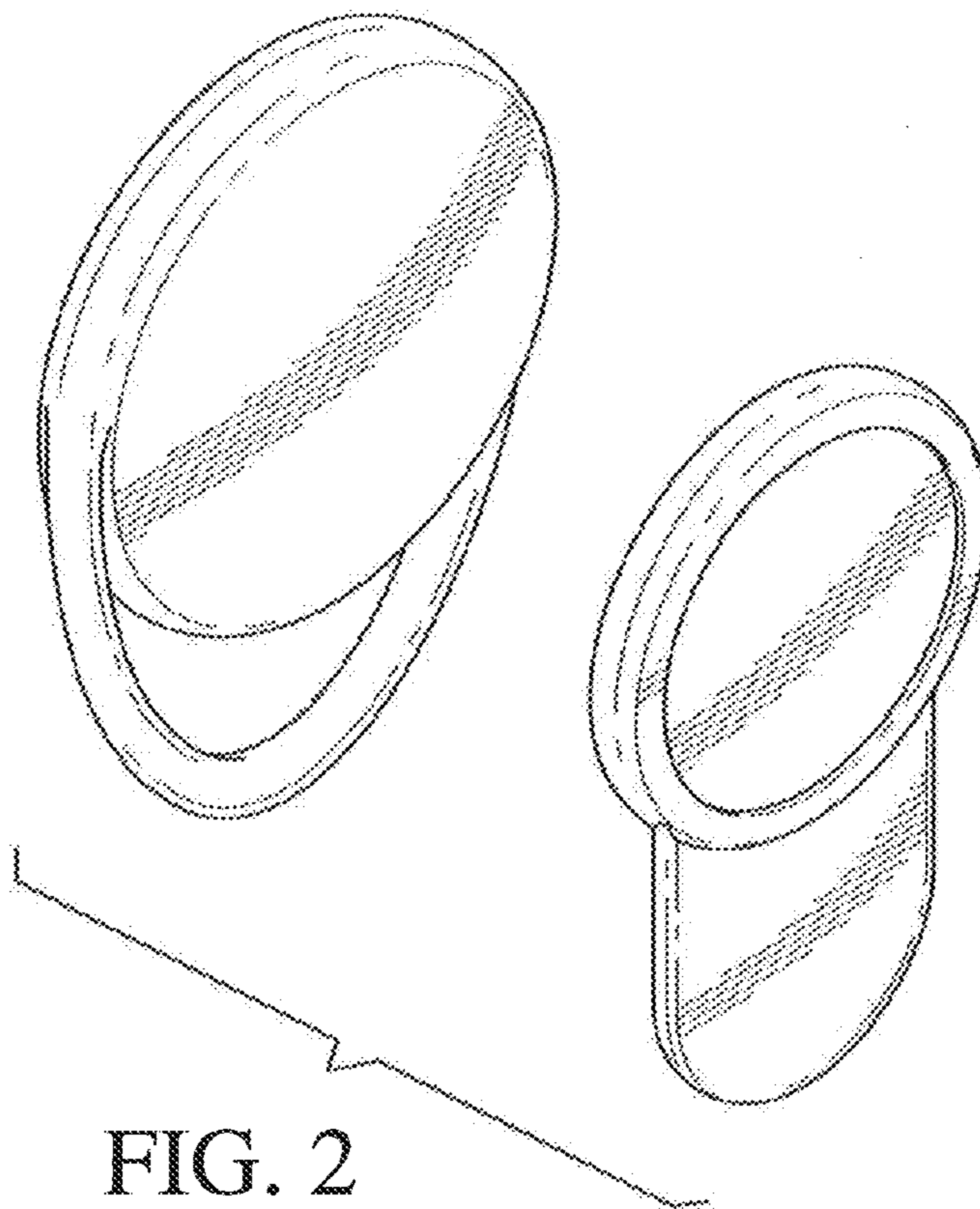


FIG. 2

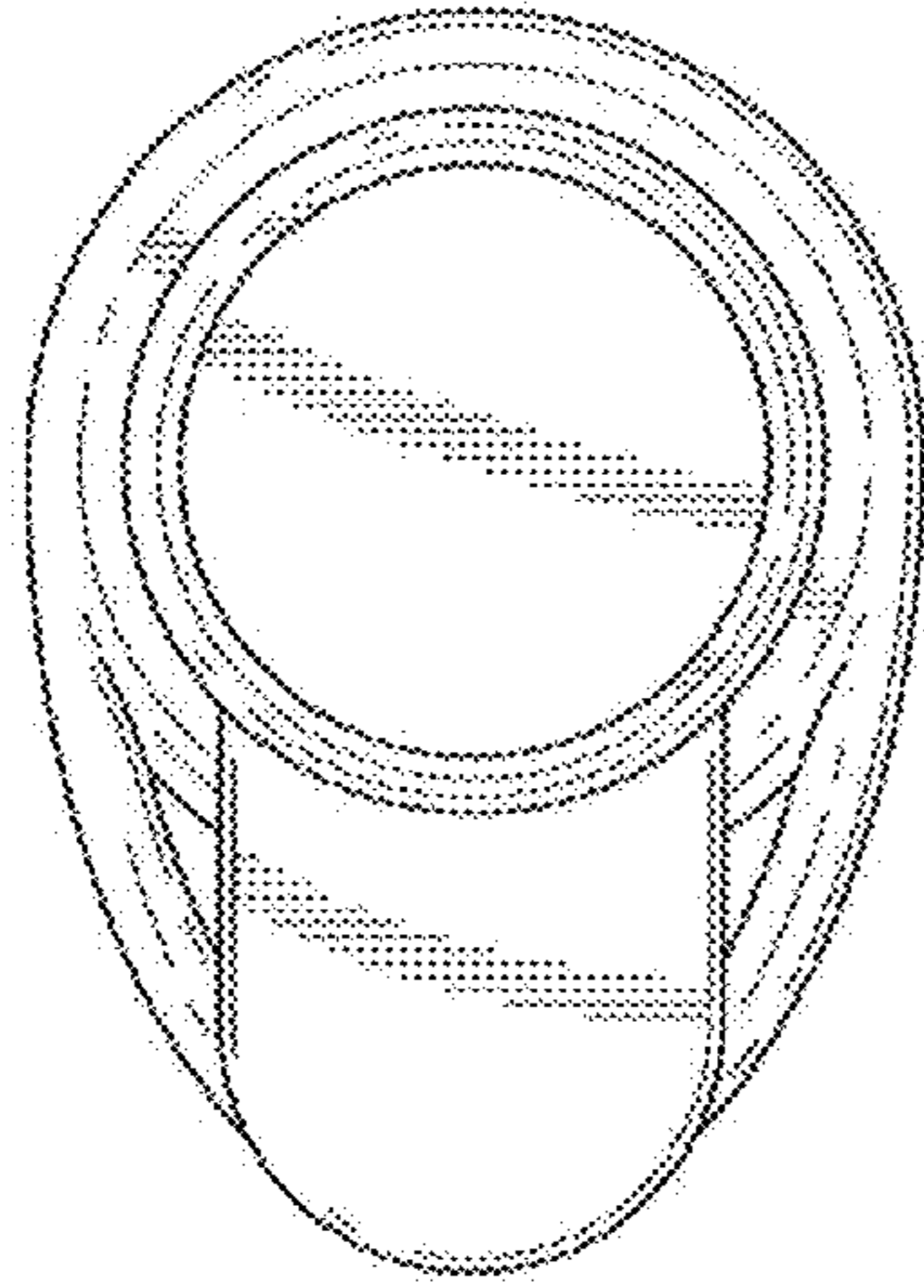


FIG. 3

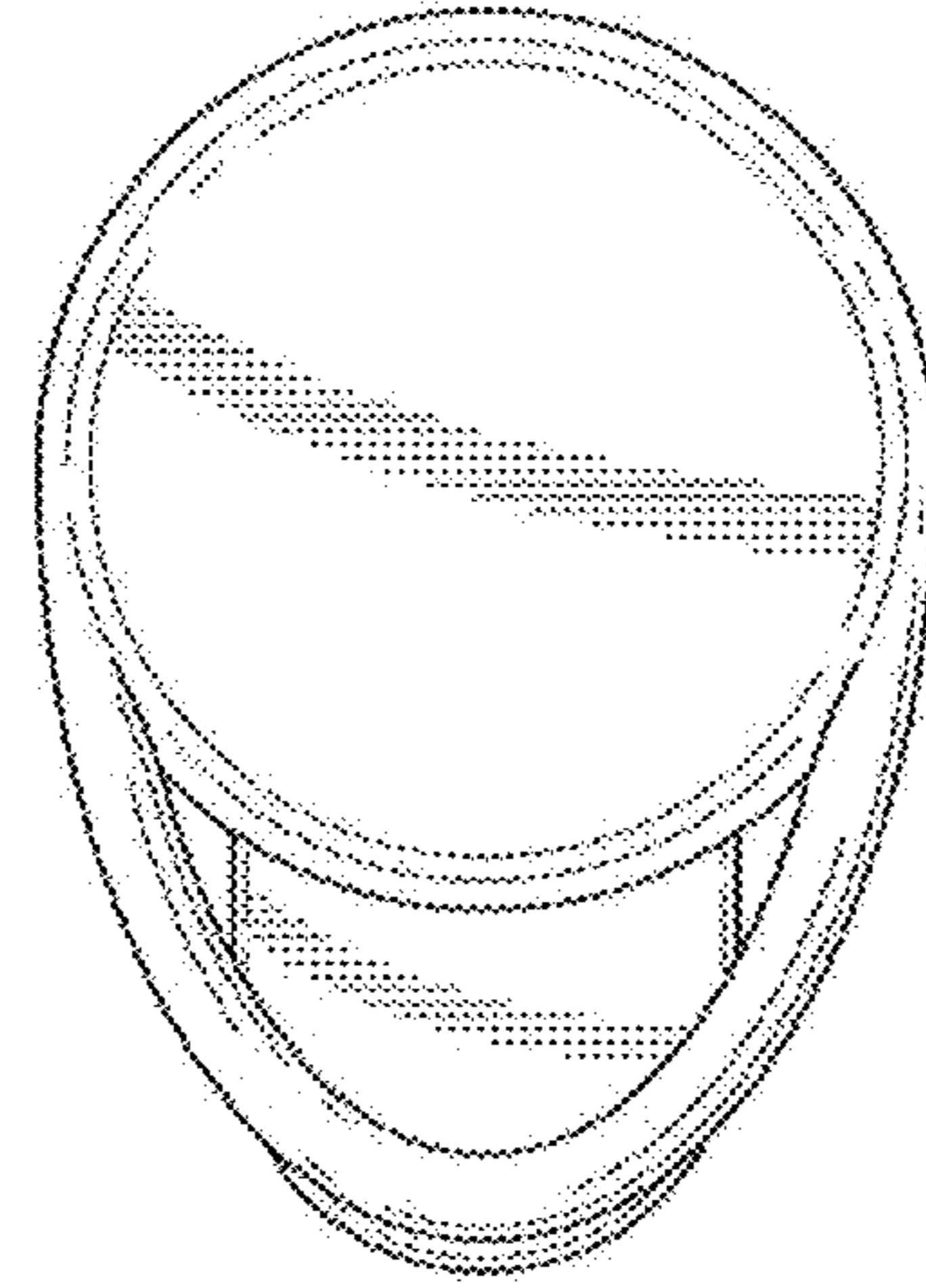


FIG. 4

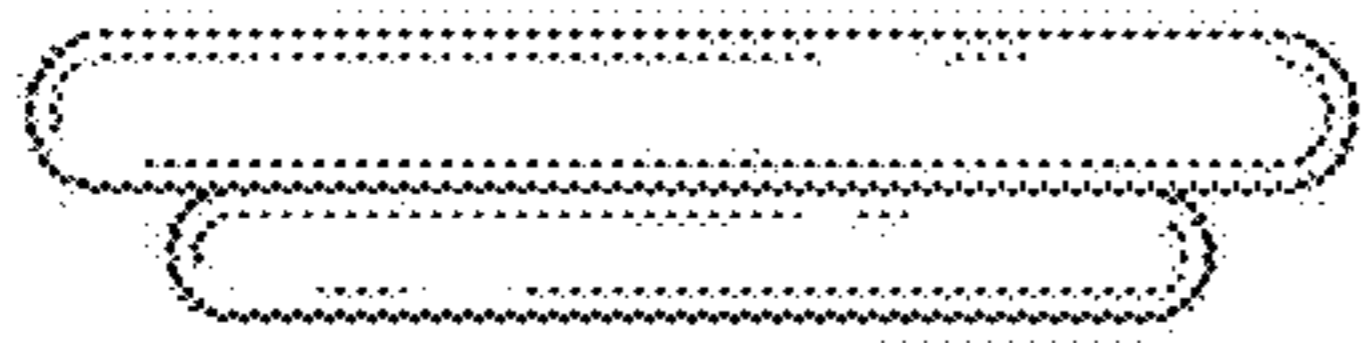


FIG. 5

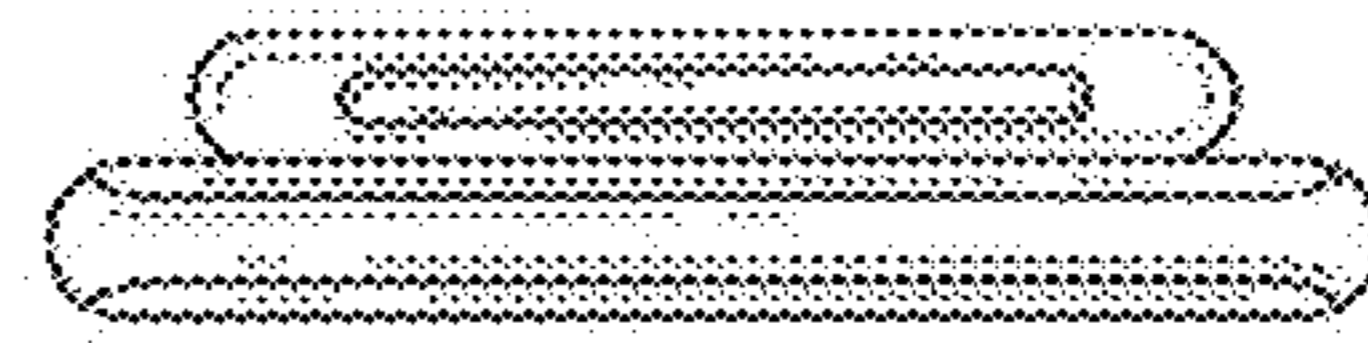


FIG. 6

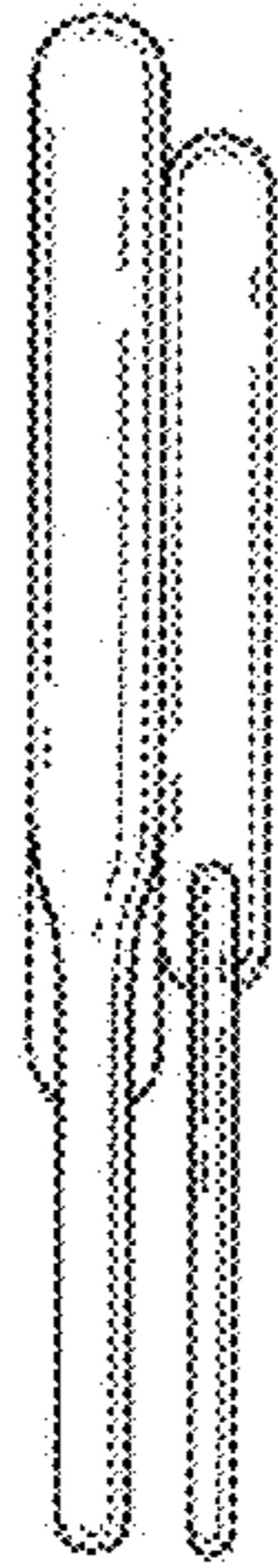


FIG. 7



FIG. 8