

US00D751888S

(12) **United States Design Patent**
Sakamoto

(10) **Patent No.:** **US D751,888 S**
(45) **Date of Patent:** **** Mar. 22, 2016**

- (54) **CABLE TIE**
- (71) Applicant: **Yasuyuki Sakamoto**, Himeji (JP)
- (72) Inventor: **Yasuyuki Sakamoto**, Himeji (JP)
- (**) Term: **14 Years**
- (21) Appl. No.: **29/510,904**
- (22) Filed: **Dec. 4, 2014**
- (51) **LOC (10) Cl.** **08-08**
- (52) **U.S. Cl.**
USPC **D8/383**
- (58) **Field of Classification Search**
USPC D8/383, 349, 354, 356, 382, 394, 396,
D8/499
CPC B65D 63/1072; B65D 63/1063; B65D
2563/103; B65D 63/1045; B65D 63/00;
B65D 63/1081; Y10T 24/1498; Y10T 24/14;
Y10T 24/45246; Y10T 24/141; Y10T 24/15;
F16B 2/26; F16L 3/2332; F16L 3/2334
See application file for complete search history.

- D389,051 S * 1/1998 Caveney 24/16 PB
- D444,054 S * 6/2001 Bernard D8/394
- 6,279,203 B1 * 8/2001 Hundley B65D 63/1036
24/16 PB
- 6,484,366 B1 * 11/2002 Deschenes B65D 63/1063
24/16 PB
- D471,435 S * 3/2003 Krisel D8/396
- D488,374 S * 4/2004 Hussaini D8/396
- D530,600 S * 10/2006 Krisel D8/396
- D701,453 S * 3/2014 Wang D8/383
- D732,945 S * 6/2015 Asai D8/356
- 2005/0115029 A1 * 6/2005 Magno, Jr. F16L 3/2334
24/16 PB
- 2009/0172922 A1 * 7/2009 Laporte B65D 63/1063
24/16 PB
- 2015/0210453 A1 * 7/2015 Liang B65D 63/1072
24/16 PB

* cited by examiner

Primary Examiner — Sheryl Lane
Assistant Examiner — Ieisha Price
(74) *Attorney, Agent, or Firm* — Rankin, Hill & Clark LLP

(57) **CLAIM**
The ornamental design for a cable tie, as shown and described.

(56) **References Cited**
U.S. PATENT DOCUMENTS

- D201,798 S * 8/1965 Miller D8/394
- D205,940 S * 10/1966 Miller D8/394
- 3,908,233 A * 9/1975 Caveney F16L 3/2334
24/16 PB
- 3,965,538 A * 6/1976 Caveney B65D 63/1072
24/16 PB
- 4,688,302 A * 8/1987 Caveney B65D 63/1072
24/16 PB
- 5,267,373 A * 12/1993 Chisek B65D 63/1072
24/16 PB
- 5,601,261 A * 2/1997 Koike B60R 16/0215
24/16 PB
- 5,630,252 A * 5/1997 Wells B65D 63/1036
24/16 PB
- D380,375 S * 7/1997 Rohaly D8/394
- 5,669,111 A * 9/1997 Rohaly B65D 63/1072
24/16 PB

DESCRIPTION

FIG. 1 is a front, right side and top perspectives view of a cable tie showing my new design;
FIG. 2 is a front, left side and bottom perspective view of the cable tie;
FIG. 3 is a rear, left side and bottom perspective view of the cable tie;
FIG. 4 is a front elevation view of the cable tie;
FIG. 5 is a rear elevation view of the cable tie;
FIG. 6 is a left side view of the cable tie;
FIG. 7 is a right side view of the cable tie in;
FIG. 8 is a top plan view of the cable tie, with the bottom plan view being a mirror image thereof; and,
FIG. 9 is a sectional view of the cable tie, taken along line 9-9 of FIG. 4.

1 Claim, 3 Drawing Sheets

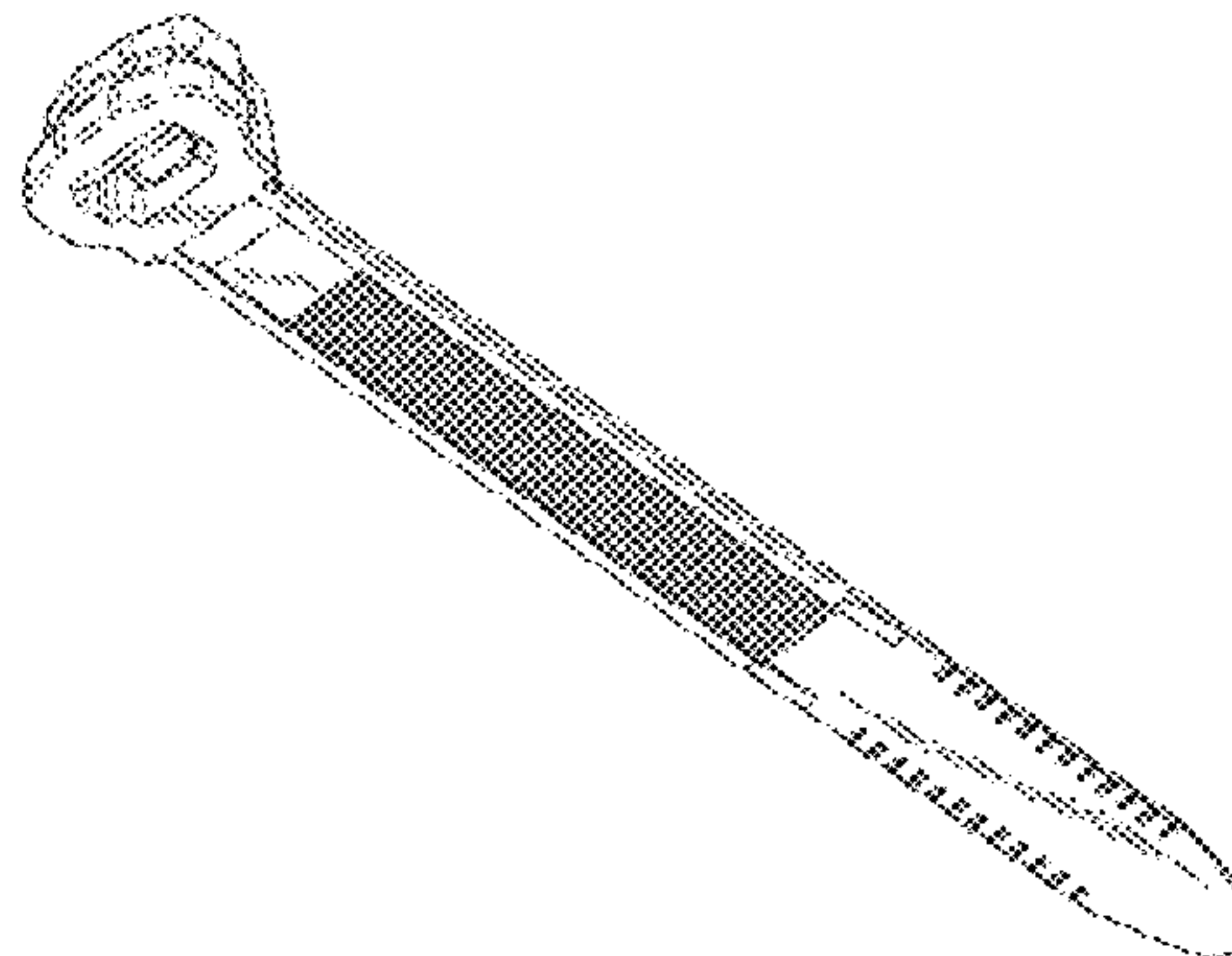
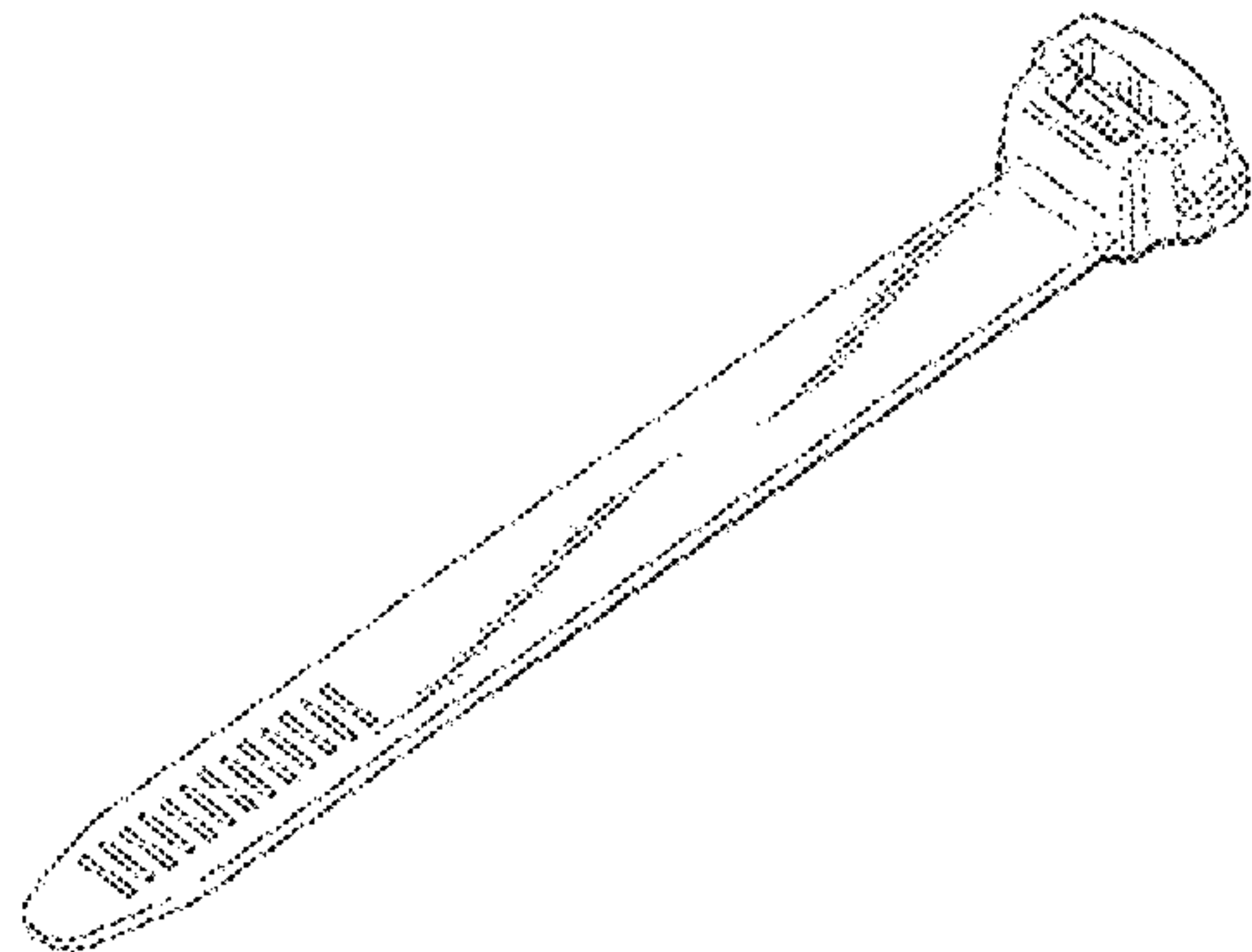


Fig. 1

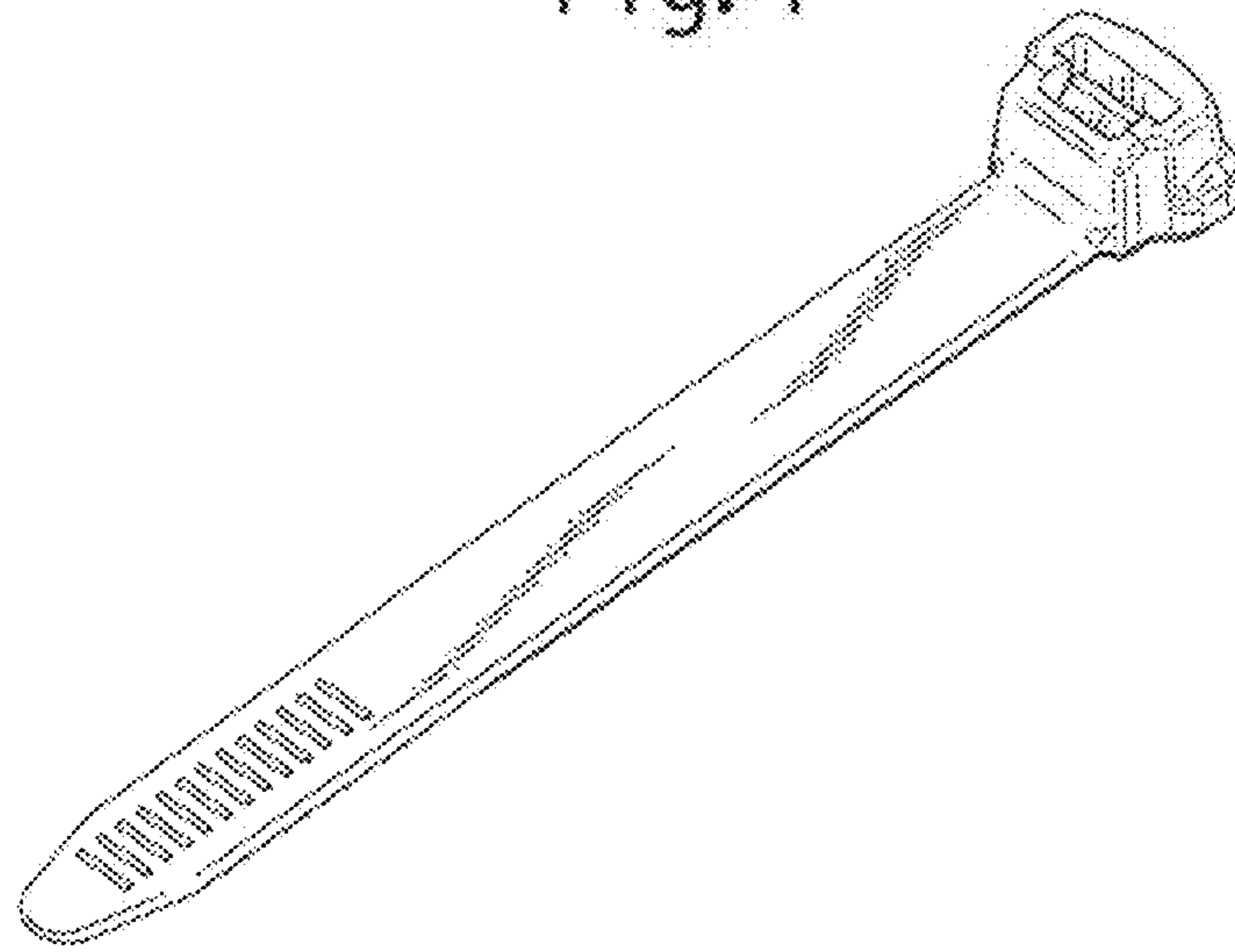


Fig. 2

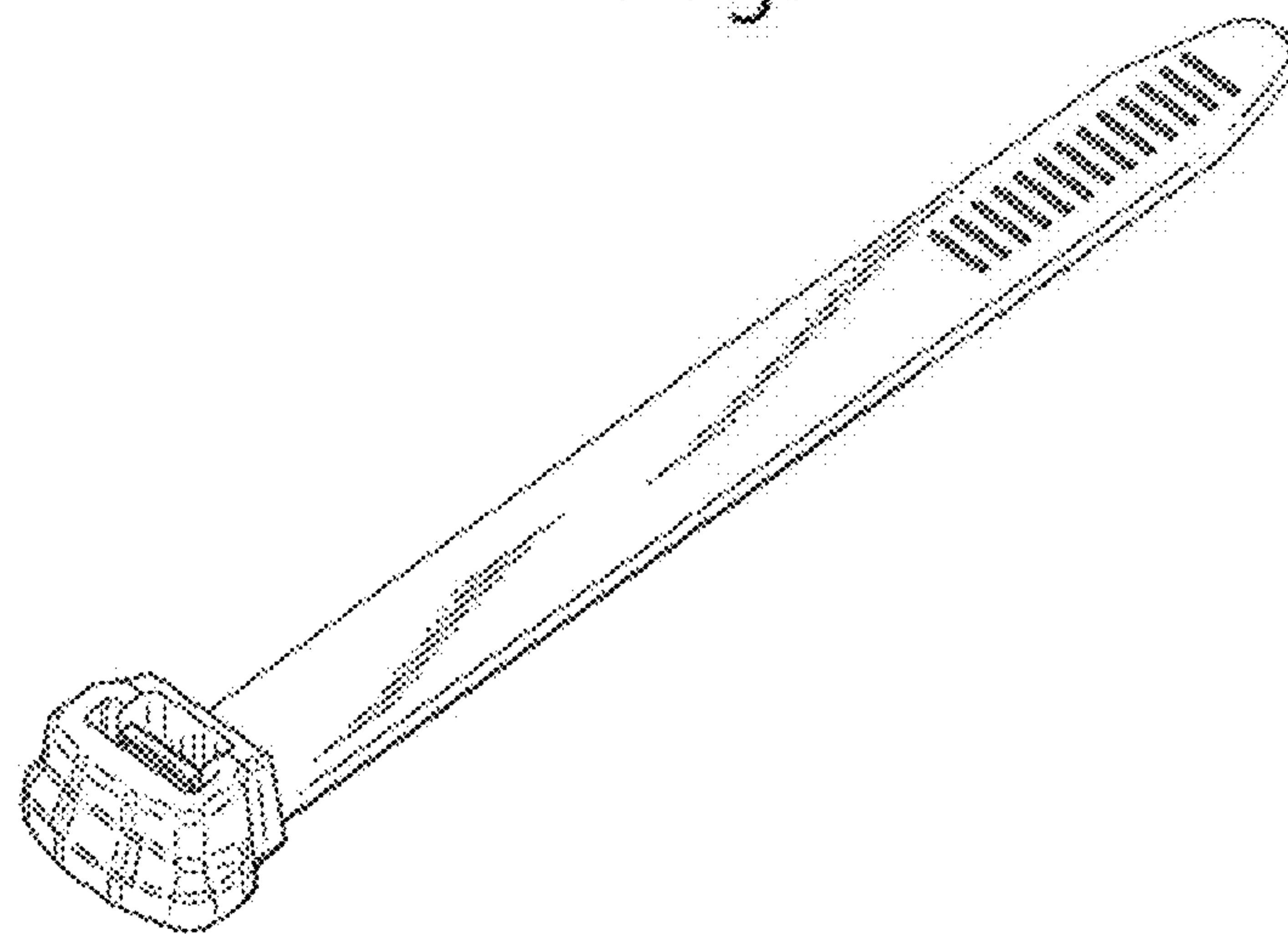


Fig. 3

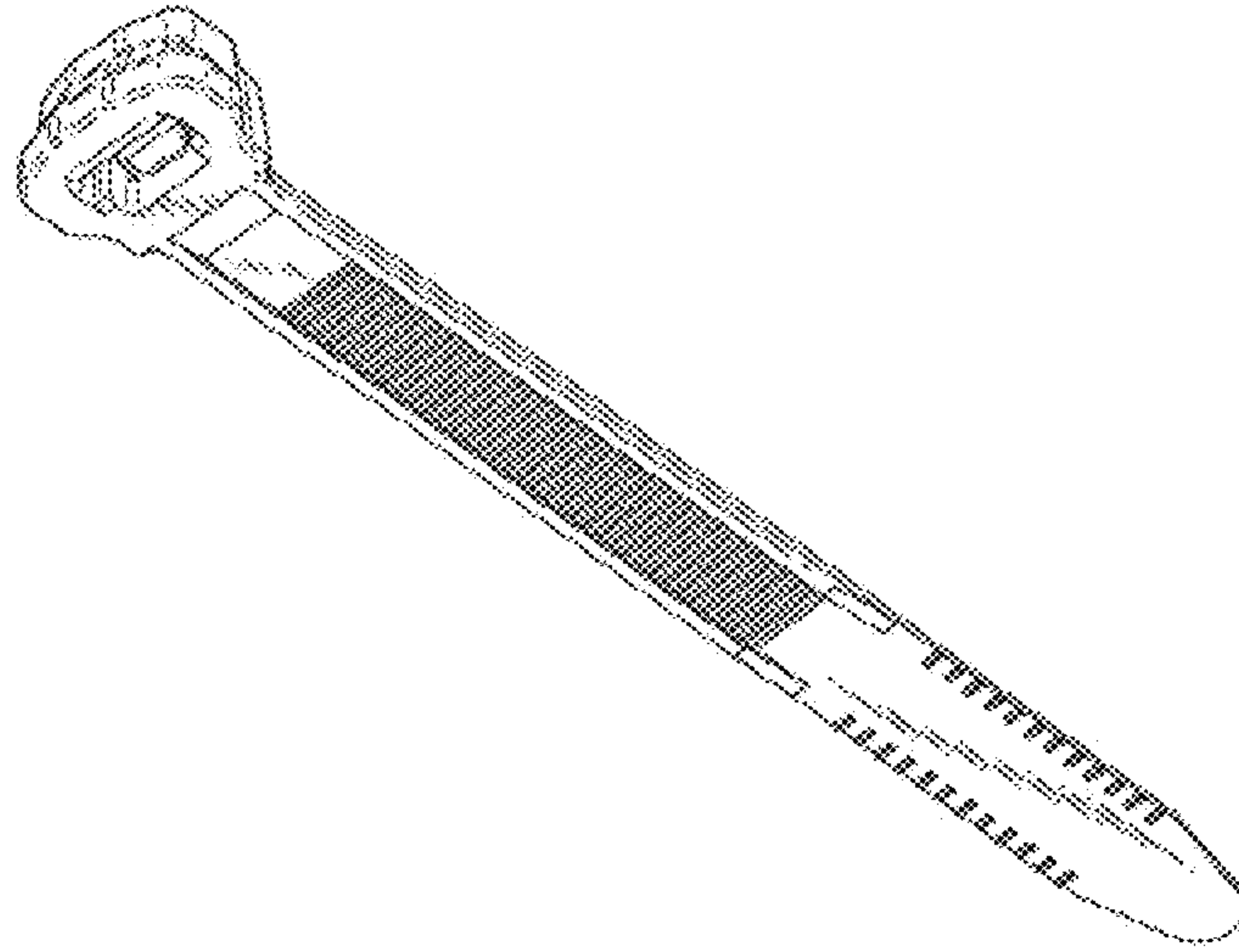


Fig. 4

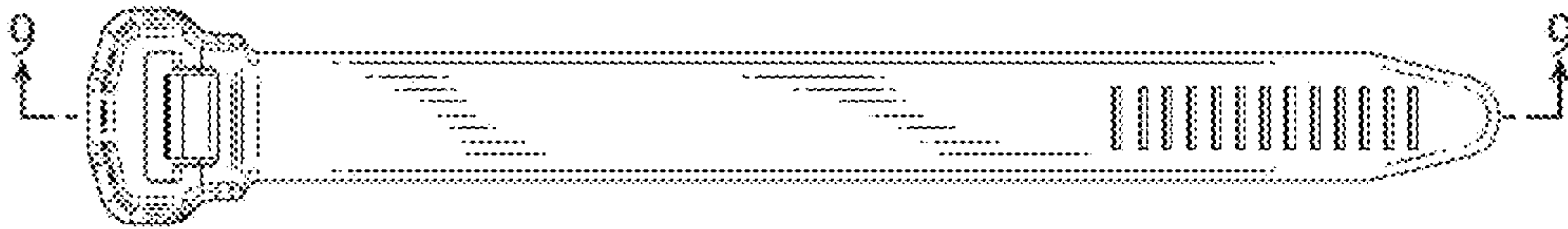


Fig. 5

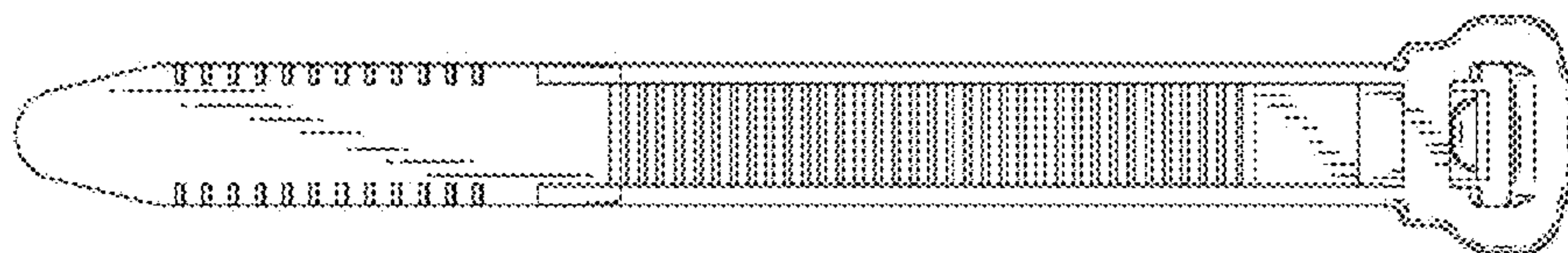


Fig. 6

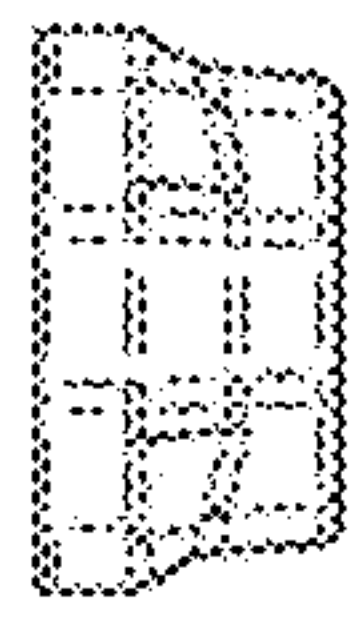


Fig. 7



Fig. 8

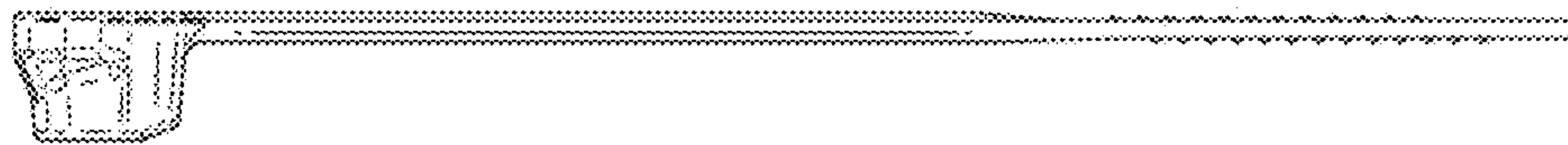


Fig. 9

