



US00D751886S

(12) **United States Design Patent**  
**Wright**

(10) **Patent No.:** **US D751,886 S**

(45) **Date of Patent:** **\*\* Mar. 22, 2016**

- (54) **FASTENER FOR STRAP**
- (71) Applicant: **Douglas G. Wright**, Greenville, SC (US)
- (72) Inventor: **Douglas G. Wright**, Greenville, SC (US)
- (\*\*) Term: **14 Years**
- (21) Appl. No.: **29/485,731**
- (22) Filed: **Mar. 21, 2014**
- (51) **LOC (10) Cl.** ..... **08-08**
- (52) **U.S. Cl.**  
USPC ..... **D8/382**
- (58) **Field of Classification Search**  
USPC ..... D8/355, 395, 106, 14, 394, 382, 383,  
D8/499, 373, 374, 380, 349, 354, 356;  
D3/318, 327; D29/101.1, 122  
CPC ..... A44D 2205/00; Y10T 24/2121; Y10T  
24/318; Y10T 24/4773; Y10T 24/45508;  
Y10T 24/47; Y10T 24/45628; Y10T 24/2175;  
B60P 7/08; B60P 7/06; B60P 7/0823; B60P  
7/0815  
See application file for complete search history.

D637,068	S	*	5/2011	Peart	.....	D8/373
D651,069	S	*	12/2011	Peart	.....	D8/373
2008/0085167	A1	*	4/2008	Law	.....	410/101
2009/0269156	A1	*	10/2009	Siegenthaler	.....	410/116
2013/0081233	A1	*	4/2013	Lu	.....	24/185

**FOREIGN PATENT DOCUMENTS**

DE 2016451 A1 \* 10/1971 ..... Y10T 24/4773

\* cited by examiner

*Primary Examiner* — Sheryl Lane

*Assistant Examiner* — Ieisha Price

(74) *Attorney, Agent, or Firm* — John B. Hardaway, III;  
Nexsen Pruet, LLC

(57) **CLAIM**

The ornamental design of the fastener for strap, as shown and described.

**DESCRIPTION**

FIG. 1 is a perspective view of a fastener for strap showing my new design;  
 FIG. 2 is a perspective view of the opposing side of FIG. 1;  
 FIG. 3 is a front view thereof;  
 FIG. 4 is a back view thereof;  
 FIG. 5 is a left side view thereof;  
 FIG. 6 is a right side view thereof;  
 FIG. 7 is a top view thereof; and,  
 FIG. 8 is a bottom thereof.

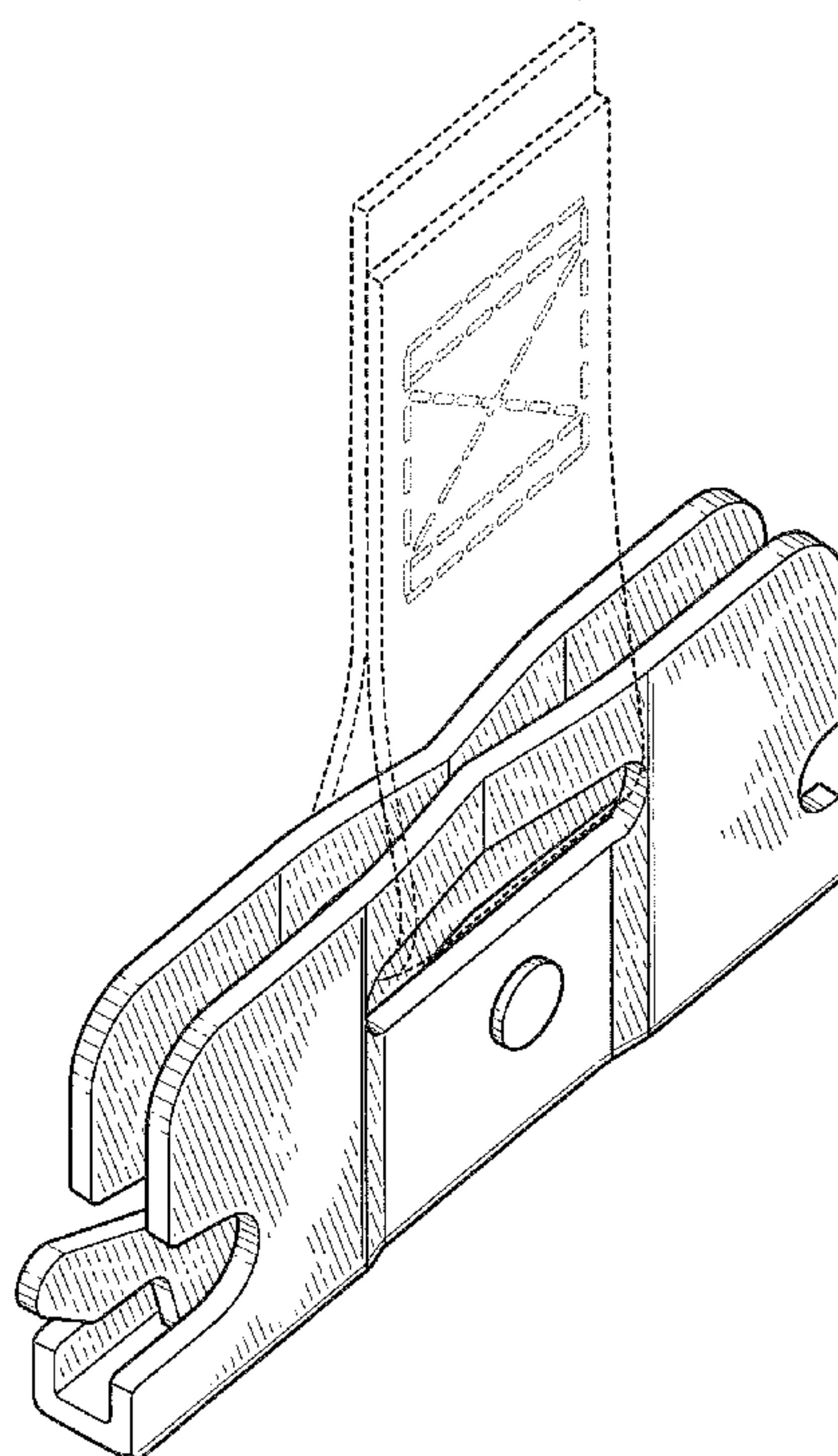
The broken lines in the drawings illustrate portions of the fastener for strap and form no part of the claimed design. The broken lines showing of the strap represents the environment of the claimed design and forms no part thereof.

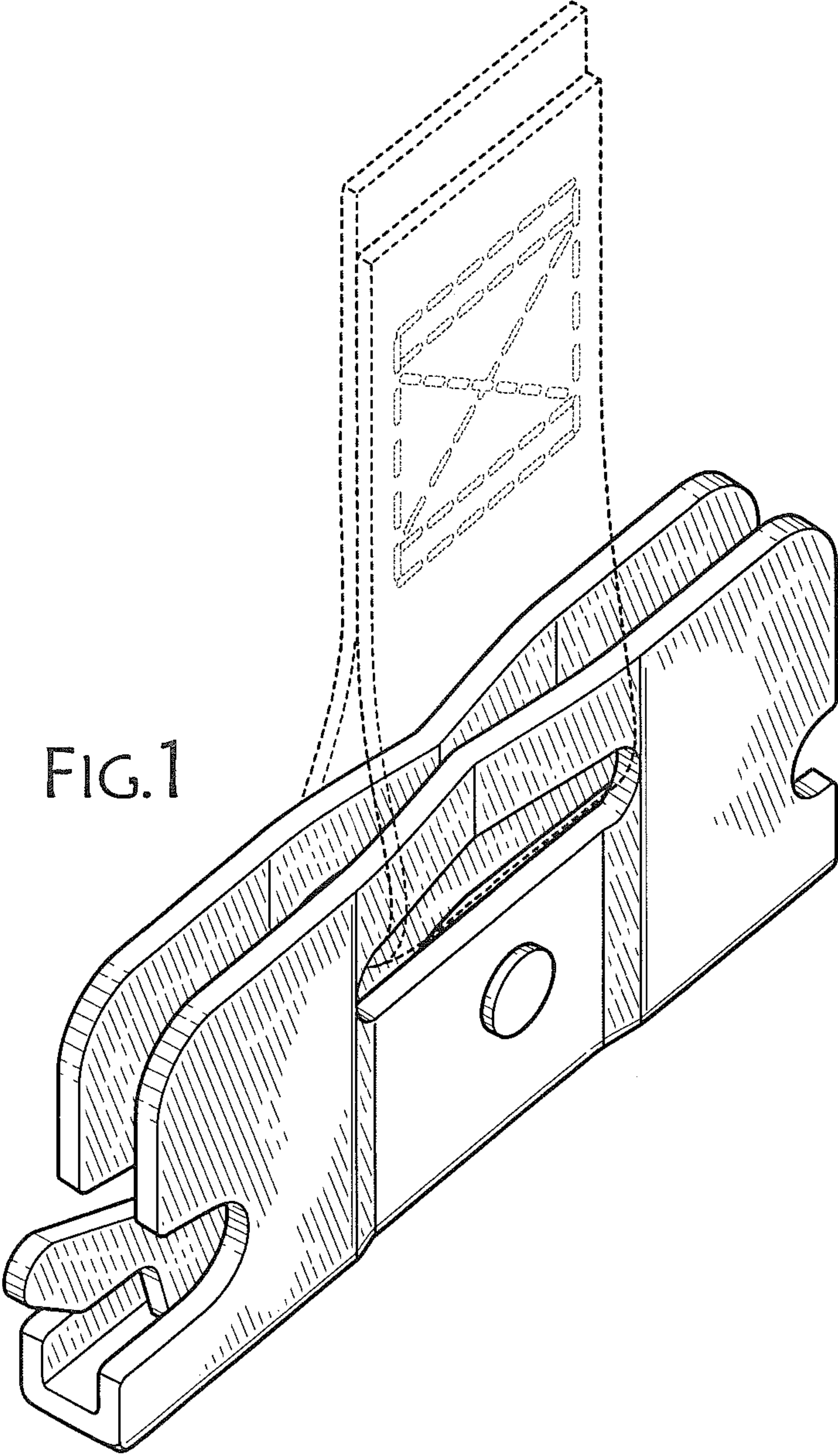
**1 Claim, 5 Drawing Sheets**

(56) **References Cited**

**U.S. PATENT DOCUMENTS**

3,323,186	A	*	6/1967	Rennert	.....	410/116
D248,618	S	*	7/1978	Anthony	.....	D8/395
4,484,847	A	*	11/1984	Holmes	.....	410/104
D294,006	S	*	2/1988	Gygax et al.	.....	D8/395
5,351,372	A	*	10/1994	Ihara	.....	24/611
5,592,718	A	*	1/1997	Mohr	.....	24/265 BC
5,740,590	A	*	4/1998	Mohr	.....	24/265 BC
D513,971	S	*	1/2006	Gaster	.....	D8/383





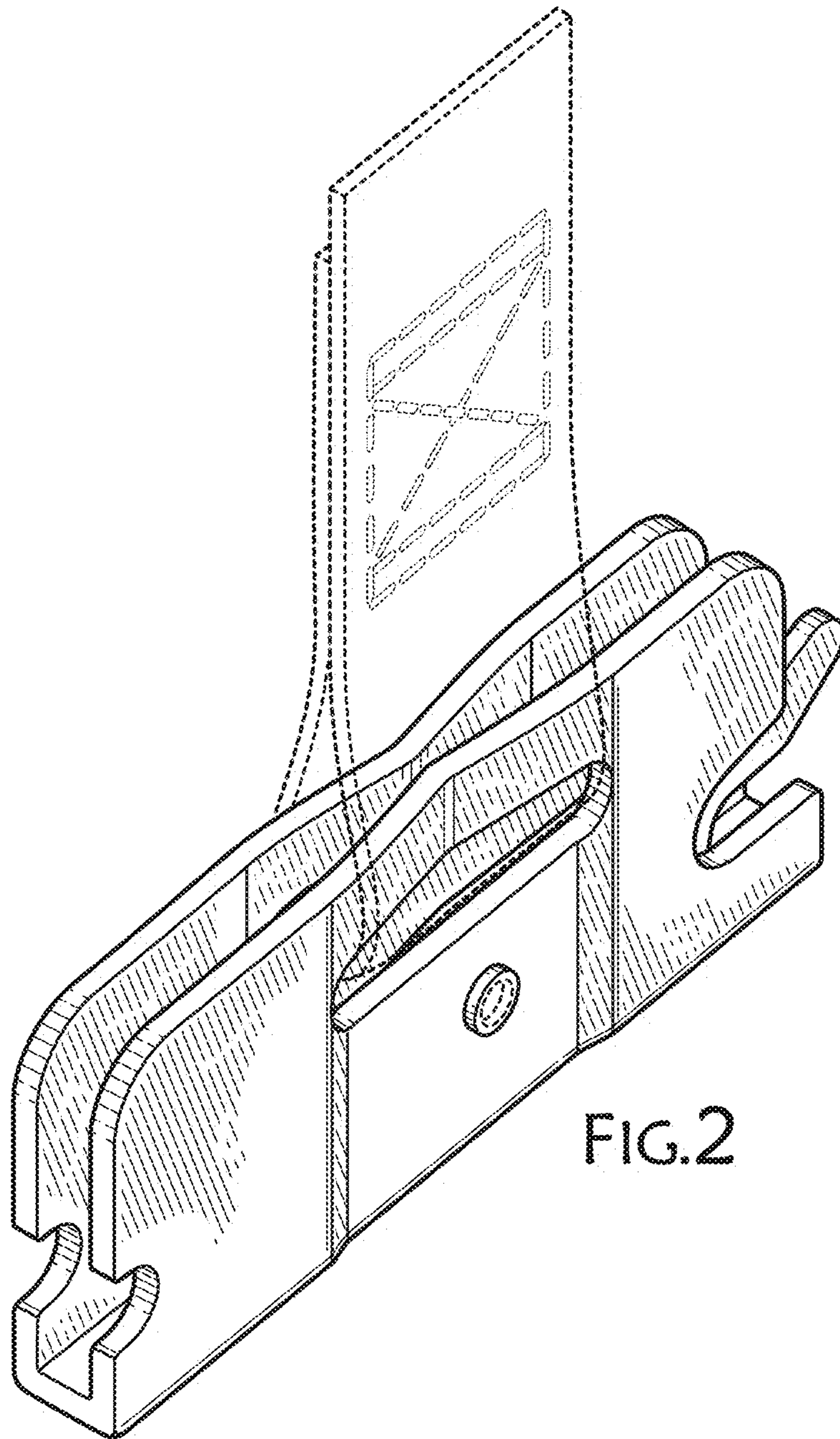


FIG. 2



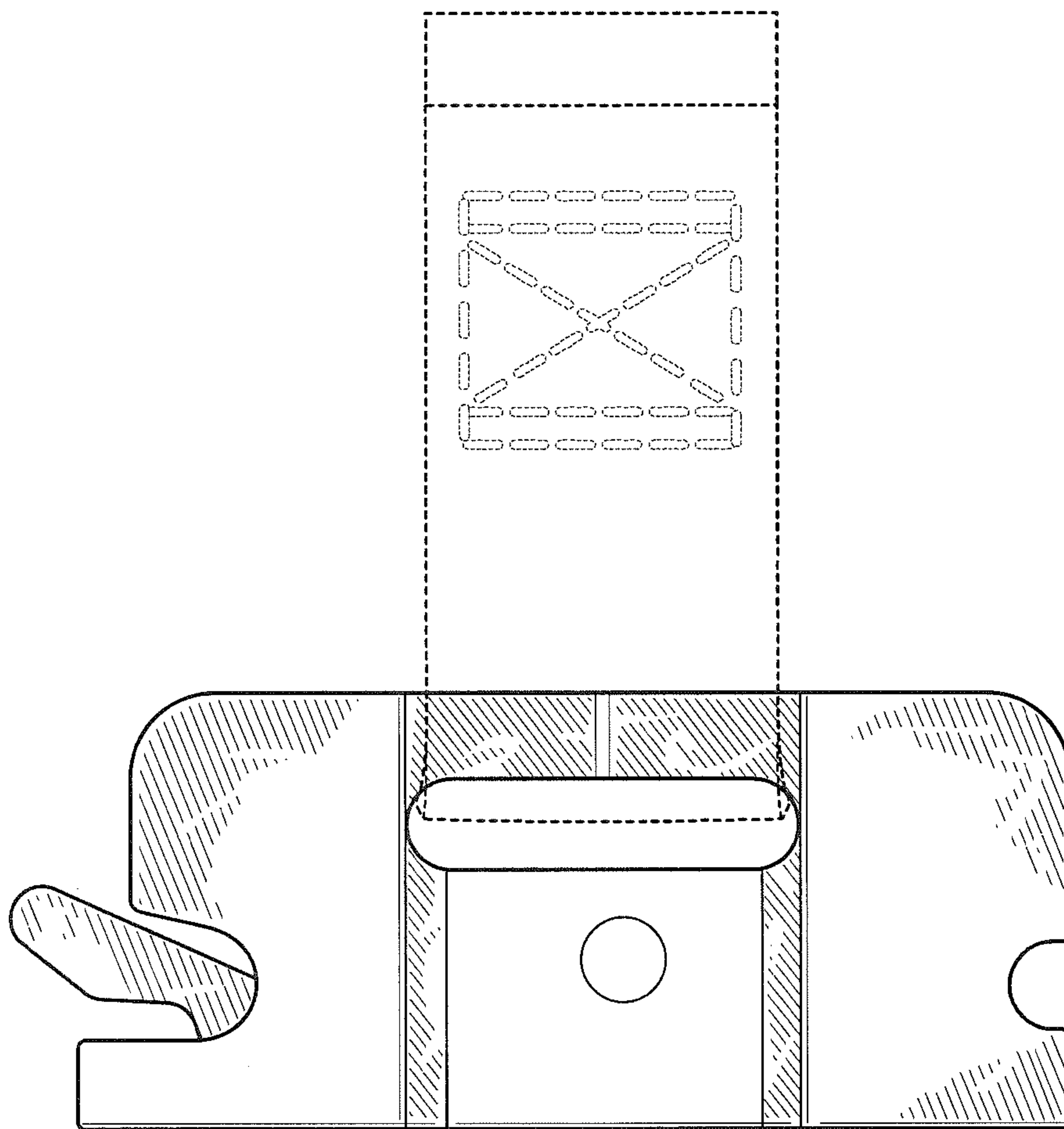


FIG.3

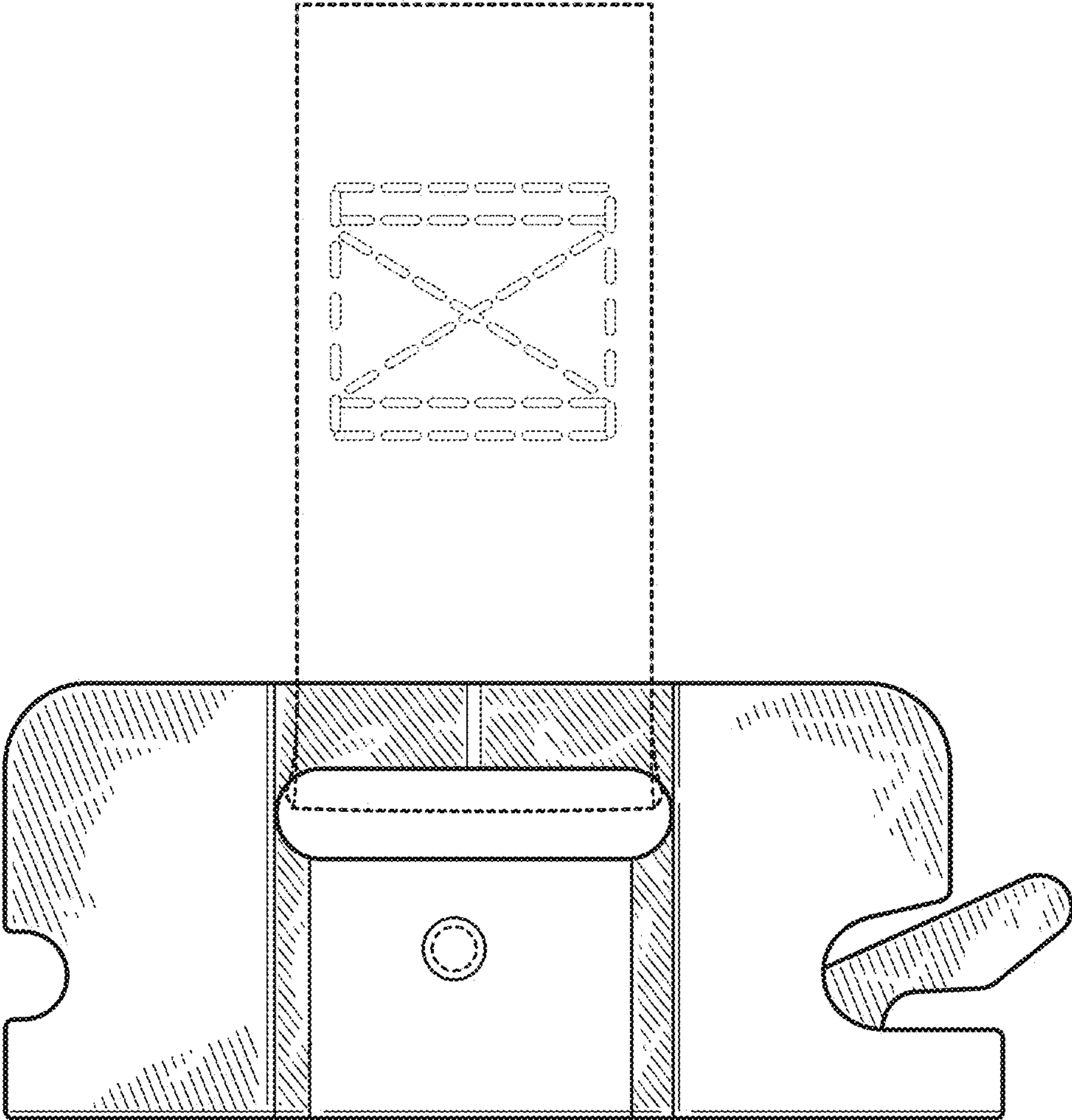


FIG.4

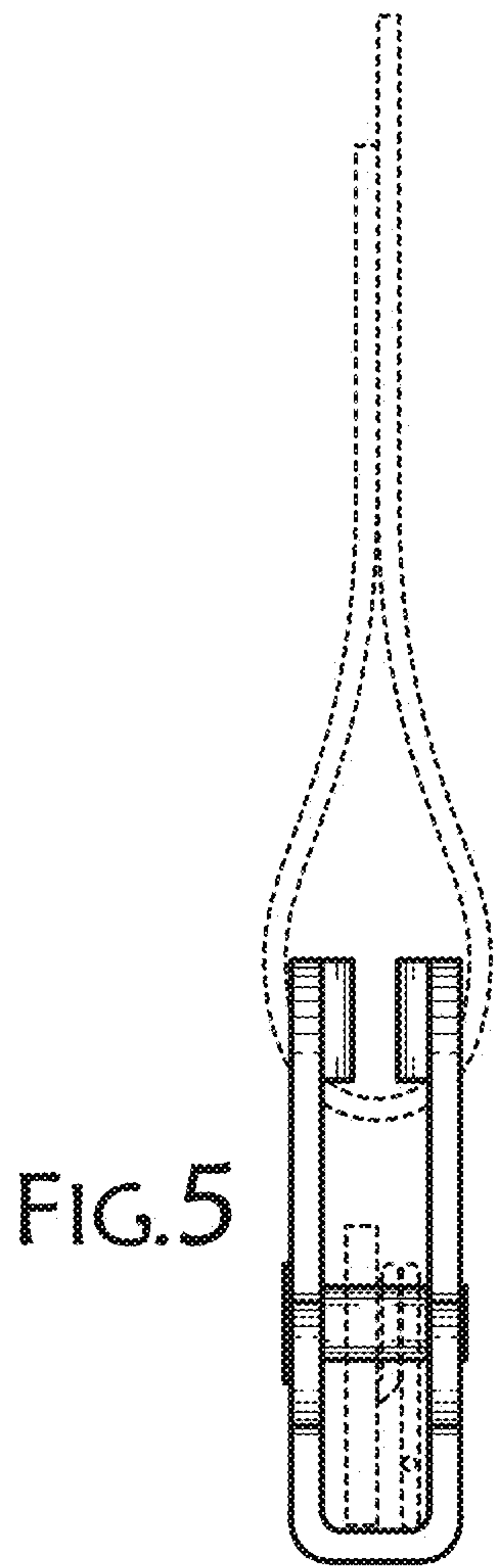


FIG. 5

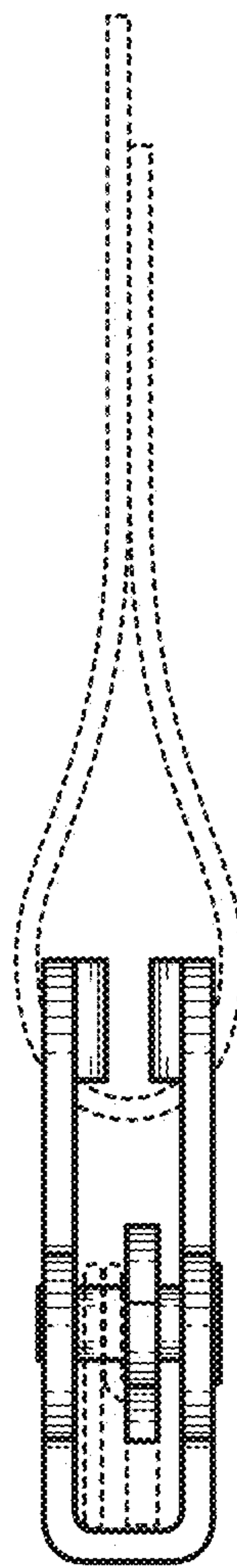


FIG. 6

FIG. 7

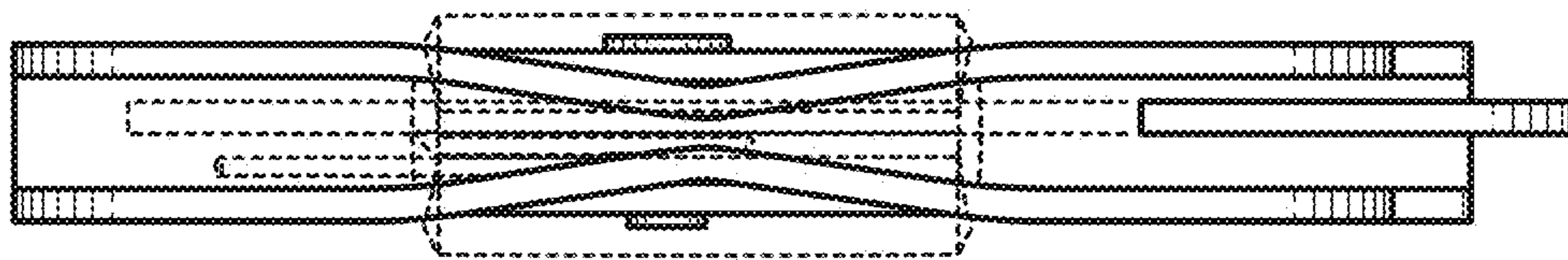


FIG. 8

