



US00D751884S

(12) **United States Design Patent**
Morris

(10) **Patent No.:** **US D751,884 S**
(45) **Date of Patent:** **** Mar. 22, 2016**

- (54) **GASOLINE FLOW CONTROL DEVICE**
- (71) Applicant: **Donald A. Morris**, Crawfordsville, IN (US)
- (72) Inventor: **Donald A. Morris**, Crawfordsville, IN (US)
- (**) Term: **14 Years**
- (21) Appl. No.: **29/493,358**
- (22) Filed: **Jun. 9, 2014**
- (51) **LOC (10) Cl.** **08-08**
- (52) **U.S. Cl.**
USPC **D8/349**; D3/210; D8/354
- (58) **Field of Classification Search**
USPC D11/1-2, 14, 26-29, 89-92, 44, 48, 81, D11/99; 63/26-28, 32; D3/207-212; D8/16, D8/38, 347, 348, 349; 70/456 B, 457, 458, 70/456 R; 206/37.1, 37; D14/434, 435, D14/435.1, 436, 439, 480.3, 480.1, 480.5, D14/480.7; D24/174, 173, 480.3; 141/392
CPC A45C 11/32; A47G 29/10; B65B 1/04; B65B 3/04
See application file for complete search history.

- D297,110 S * 8/1988 Zagorski D8/349
- D298,212 S * 10/1988 Gross D8/349
- D298,213 S * 10/1988 Iati D8/354
- D301,973 S * 7/1989 Parella D8/349
- 4,917,308 A 4/1990 Manhardt et al.
- D312,172 S * 11/1990 Ambrosio D3/210
- 4,986,321 A 1/1991 Nitzberg et al.
- 5,067,533 A 11/1991 Carder, Sr. et al.
- 5,118,074 A * 6/1992 Weissman 251/90
- 5,199,474 A 4/1993 D'Angelo
- 5,273,087 A 12/1993 Koch et al.

(Continued)

Primary Examiner — Ralf Seifert

(74) *Attorney, Agent, or Firm* — Woodard Emhardt Moriarty McNett & Henry LLP; James Durlacher

(57) **CLAIM**

The ornamental design for a gasoline flow control device, as shown and described.

DESCRIPTION

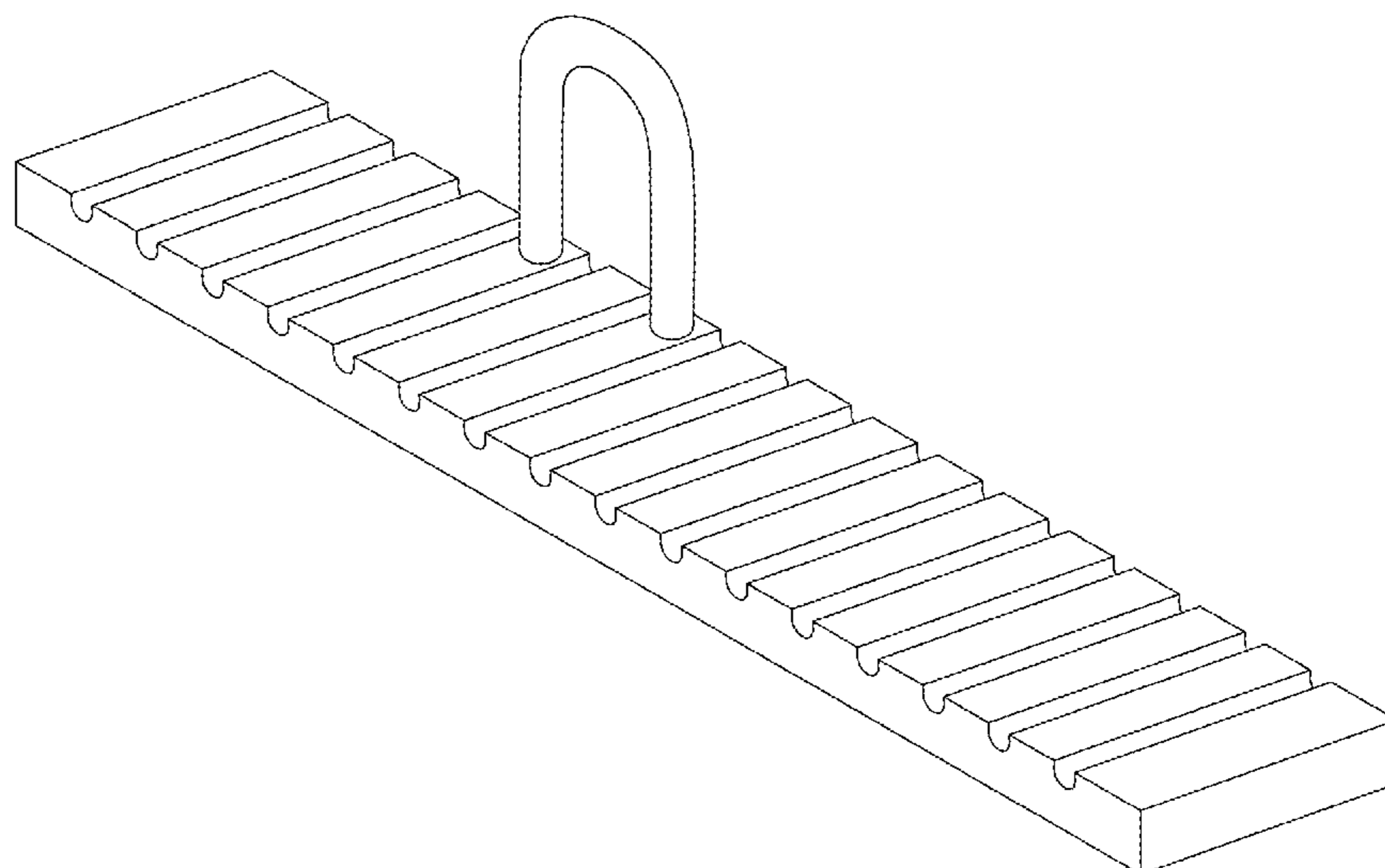
FIG. 1 is a perspective view of the gasoline flow control device showing my new design;
 FIG. 2 is a front elevational view thereof;
 FIG. 3 is a rear elevational view thereof;
 FIG. 4 is a right side elevational view thereof;
 FIG. 5 is a left side elevational view thereof;
 FIG. 6 is a top plan view thereof;
 FIG. 7 is a bottom plan view thereof.
 FIG. 8 is a perspective view of the gasoline flow control device showing the second embodiment of my new design;
 FIG. 9 is a front elevational view of FIG. 8;
 FIG. 10 is a rear elevational view of FIG. 8;
 FIG. 11 is a right side elevational view of FIG. 8;
 FIG. 12 is a left side elevational view of FIG. 8;
 FIG. 13 is a top plan view of FIG. 8; and,
 FIG. 14 is a bottom plan view of FIG. 8.
 The broken lines are for illustrative purposes only and form no part of the claimed design.

1 Claim, 6 Drawing Sheets

(56) **References Cited**

U.S. PATENT DOCUMENTS

- 3,360,229 A * 12/1967 Beyer 248/496
- 4,095,629 A 6/1978 Jordan
- 4,175,595 A * 11/1979 Noe 141/1
- D254,050 S * 1/1980 Fitzgerald D8/349
- 4,200,128 A * 4/1980 Pokrzywa 141/392
- 4,206,791 A 6/1980 Bower
- 4,487,238 A 12/1984 Carder, Sr.
- D282,048 S * 1/1986 Scanlon D8/349
- D282,240 S * 1/1986 Gilford D8/349
- 4,683,923 A 8/1987 Harris
- 4,690,182 A 9/1987 Knaus
- 4,722,375 A * 2/1988 Fox 141/392



(56)

References Cited

U.S. PATENT DOCUMENTS

5,289,856 A	3/1994	Strock et al.		6,418,988 B1 *	7/2002	Palumbo et al.	141/392
D370,170 S *	5/1996	Lambourne	D8/349	D514,923 S *	2/2006	Brown	D8/354
6,167,903 B1	1/2001	Newman		7,040,361 B2 *	5/2006	Soussan et al.	141/392
6,279,621 B1 *	8/2001	Gelsomino	141/1	7,159,625 B1	1/2007	Klutts	
				2002/0185622 A1	12/2002	Bruns	

* cited by examiner

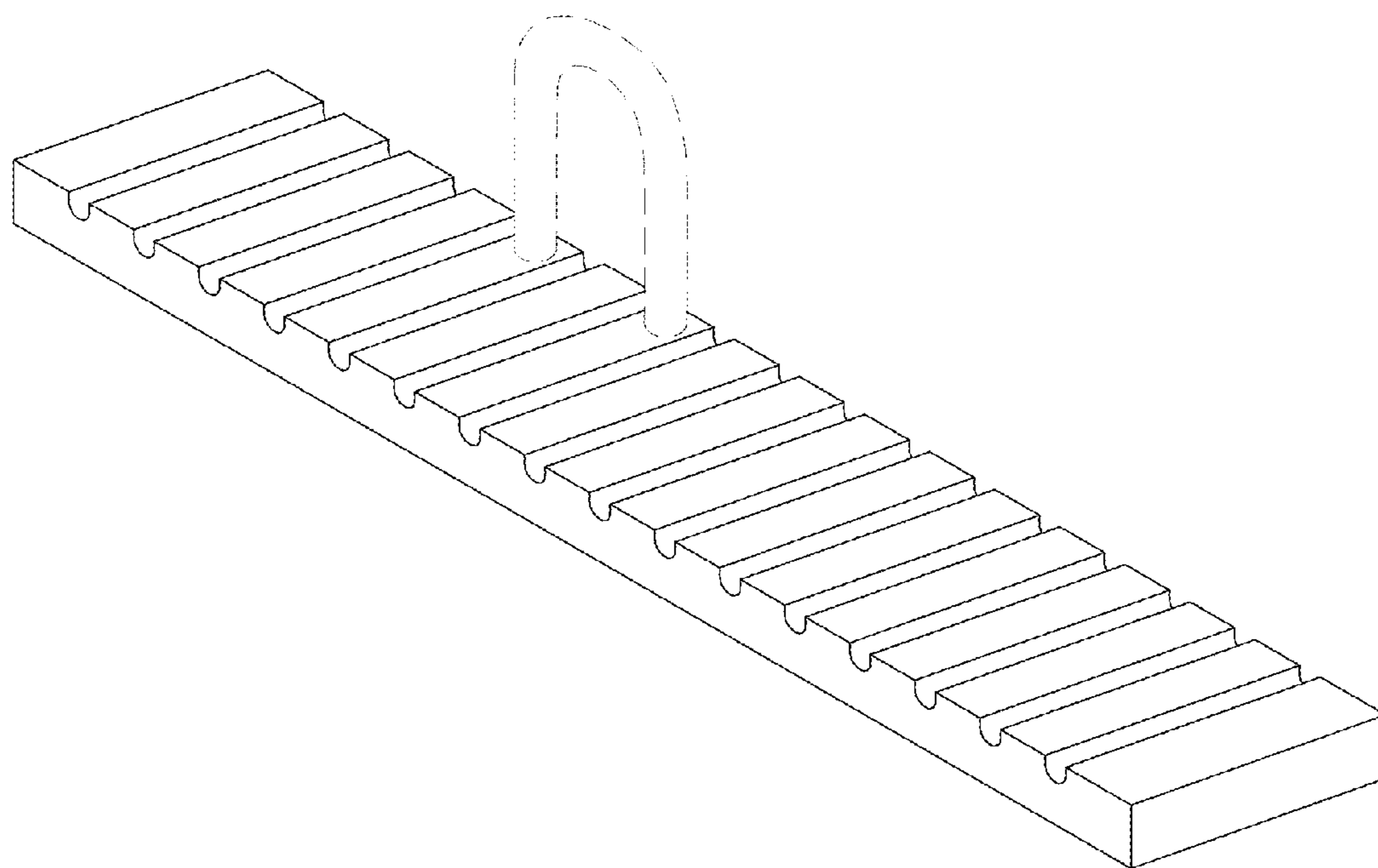


FIG. 1

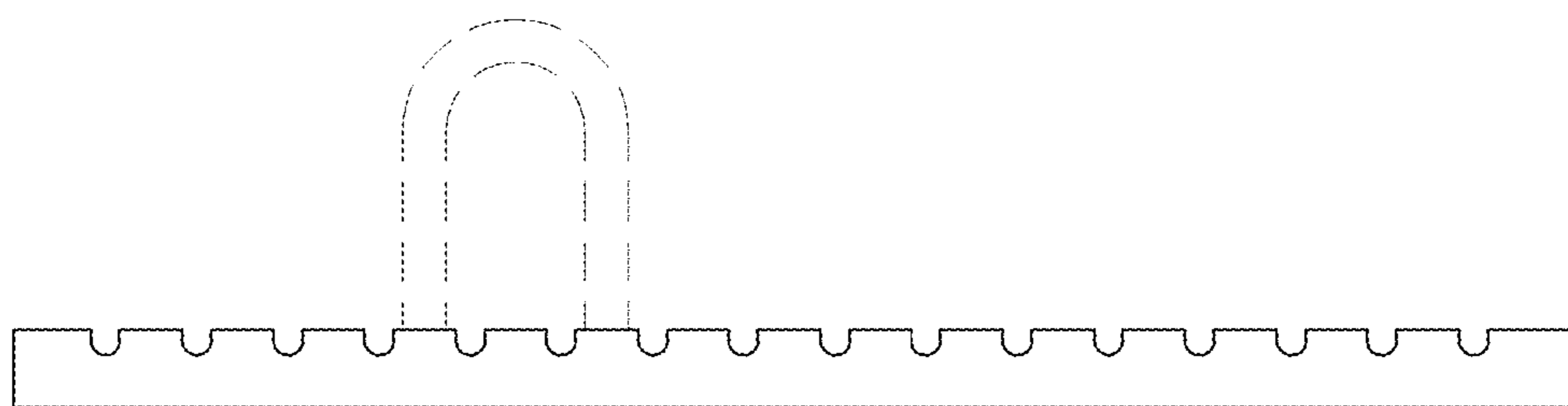


FIG. 2

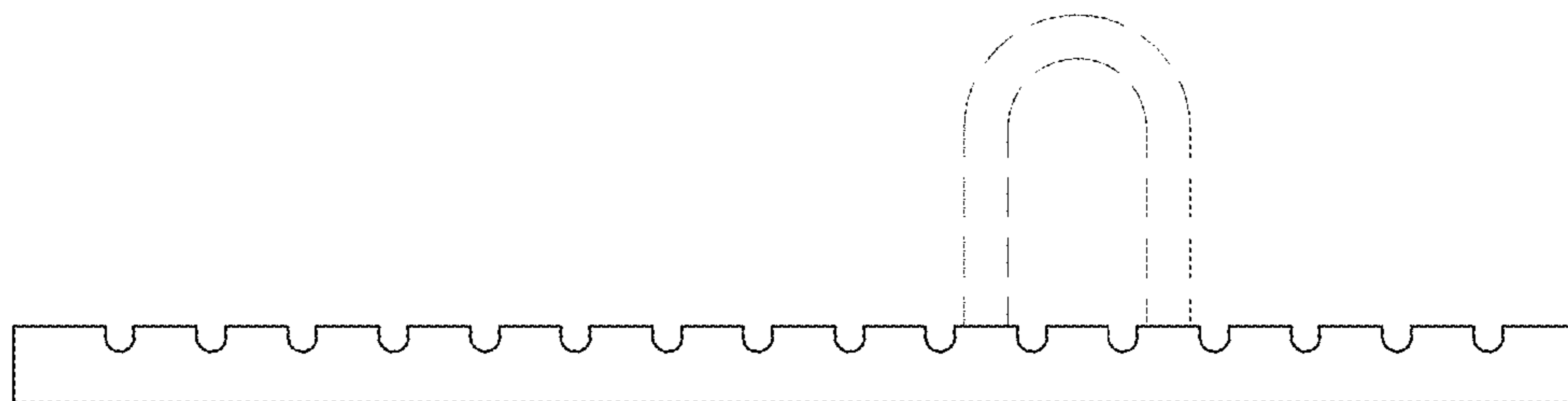


FIG. 3

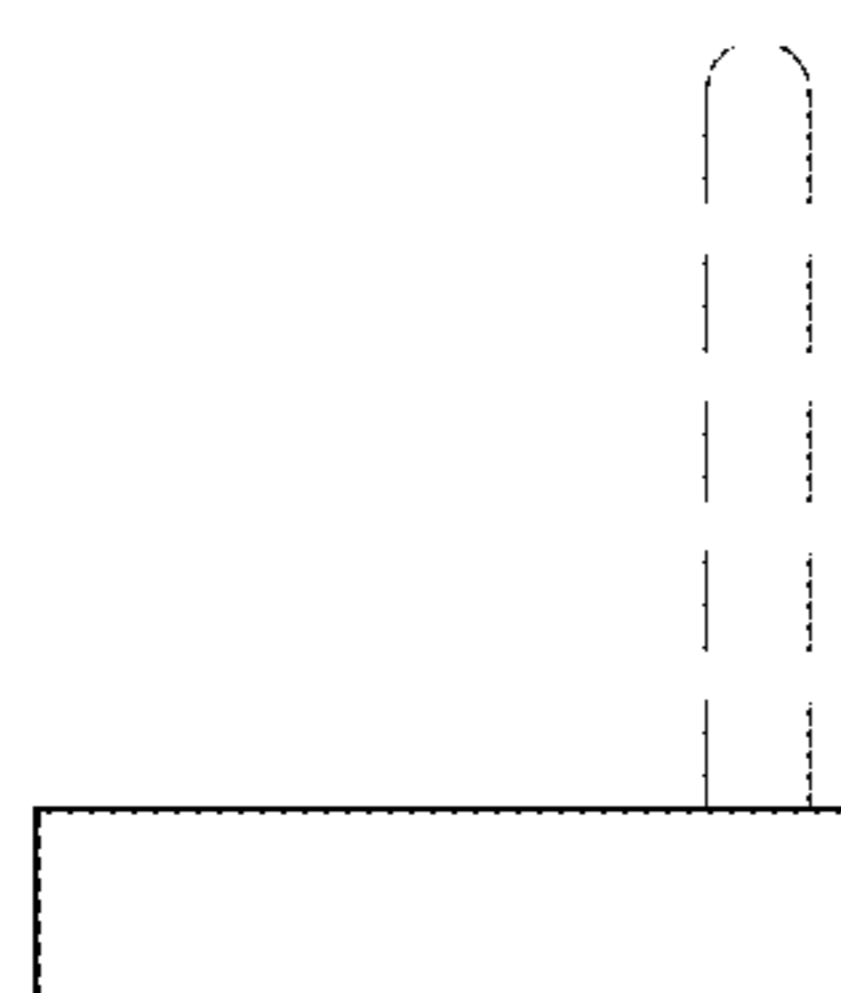


FIG. 4

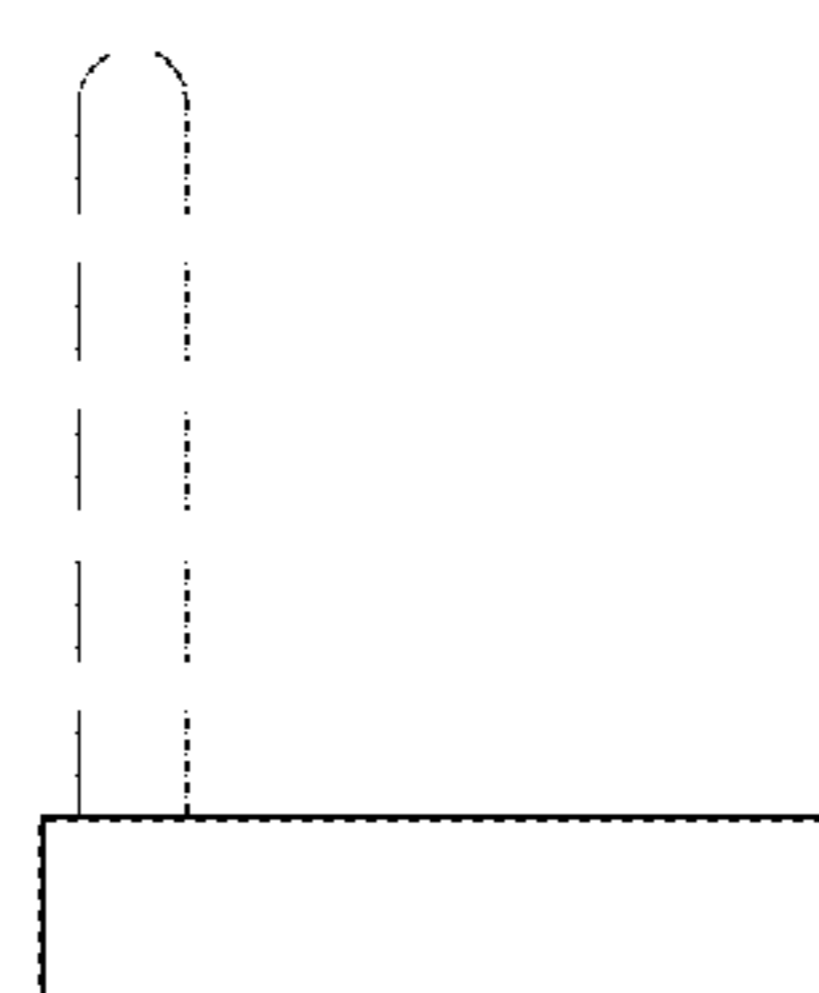


FIG. 5

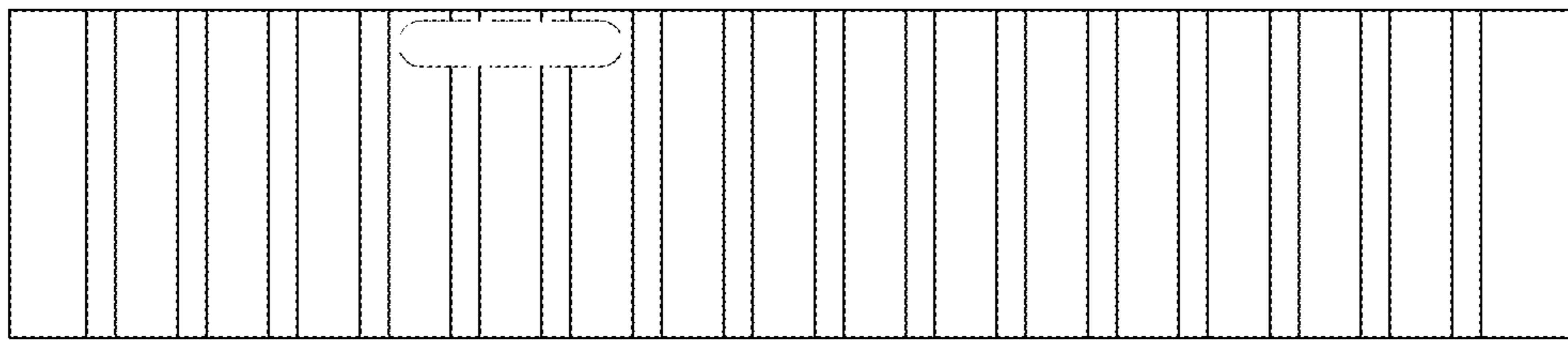


FIG. 6



FIG. 7

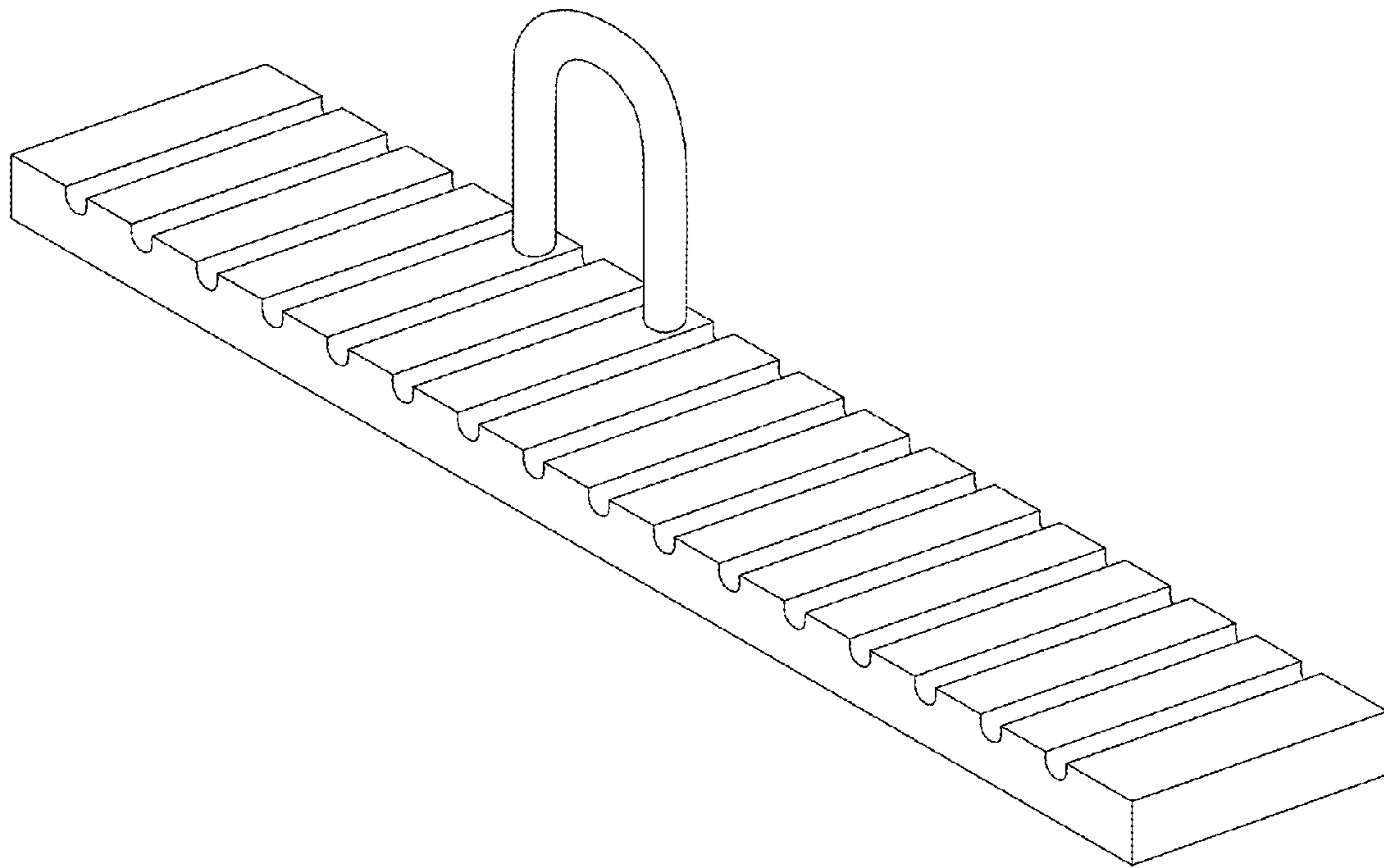


FIG. 8

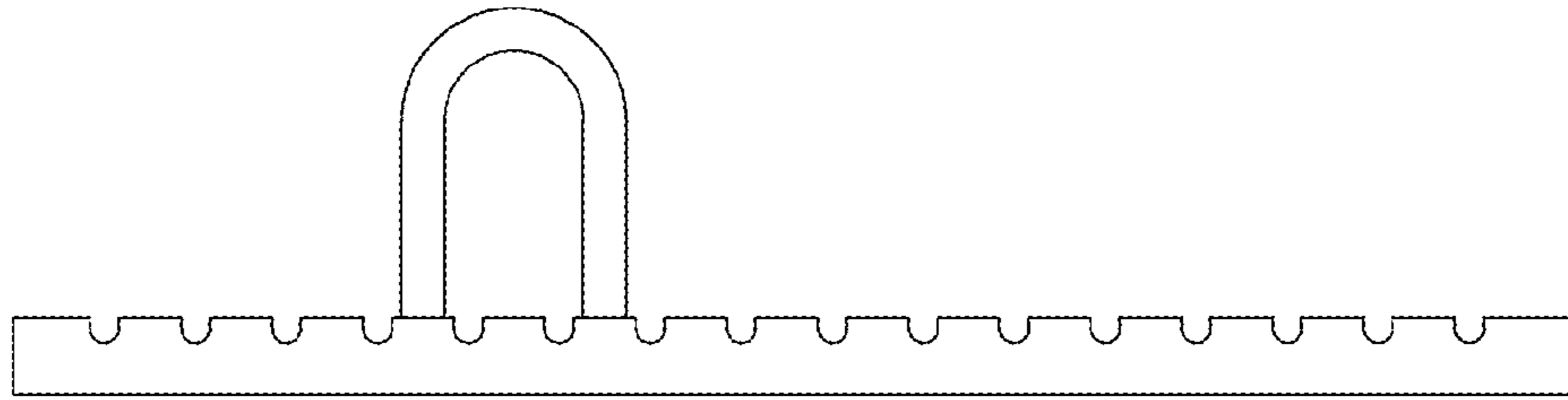


FIG. 9

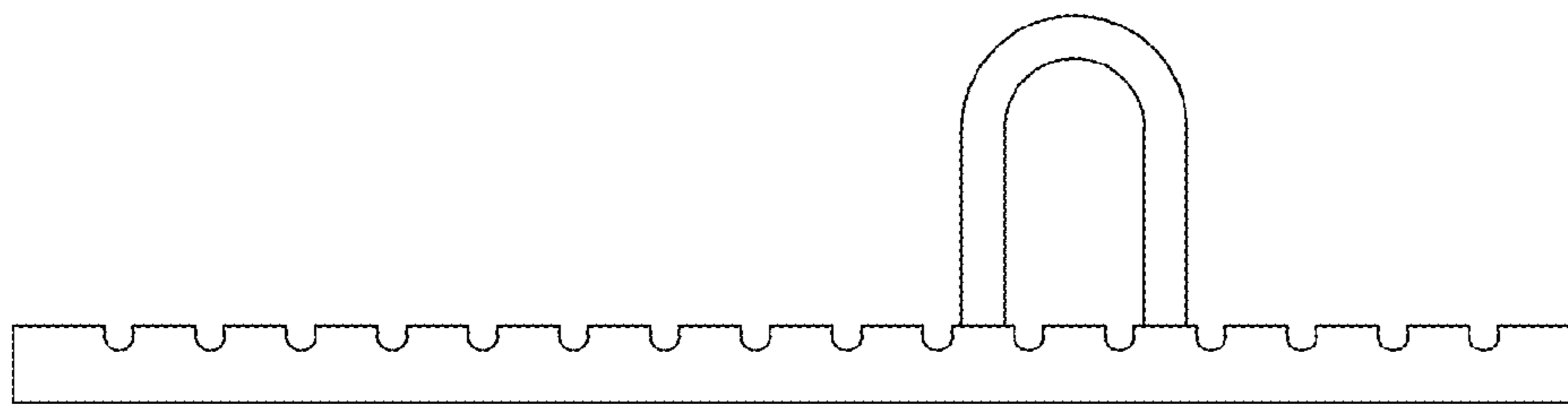


FIG. 10

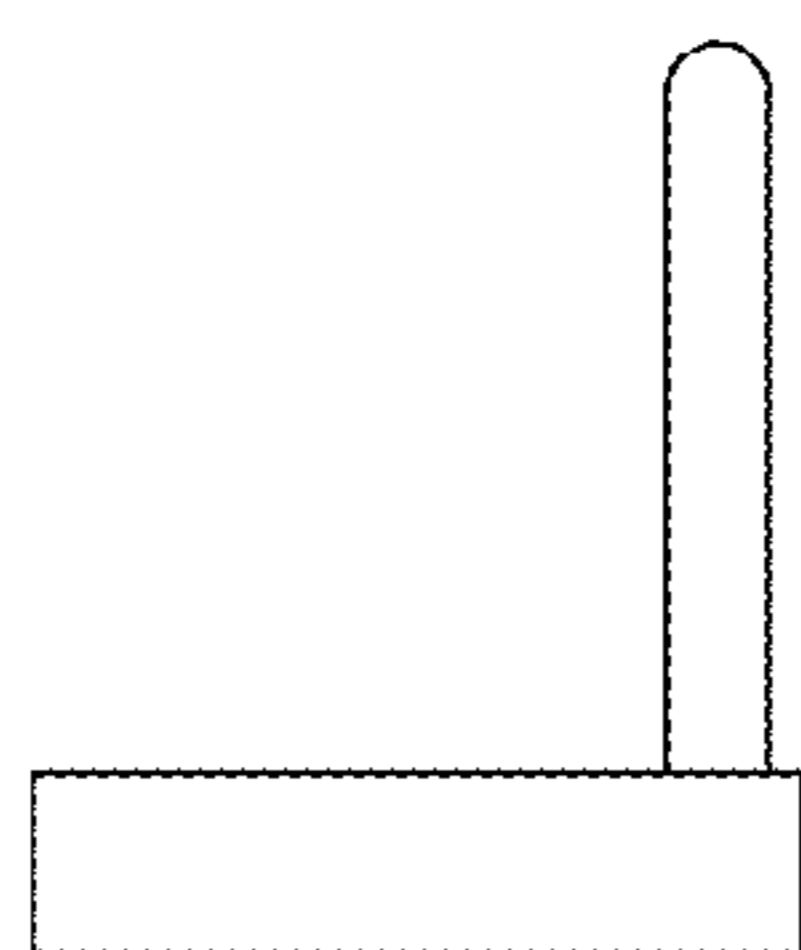


FIG. 11

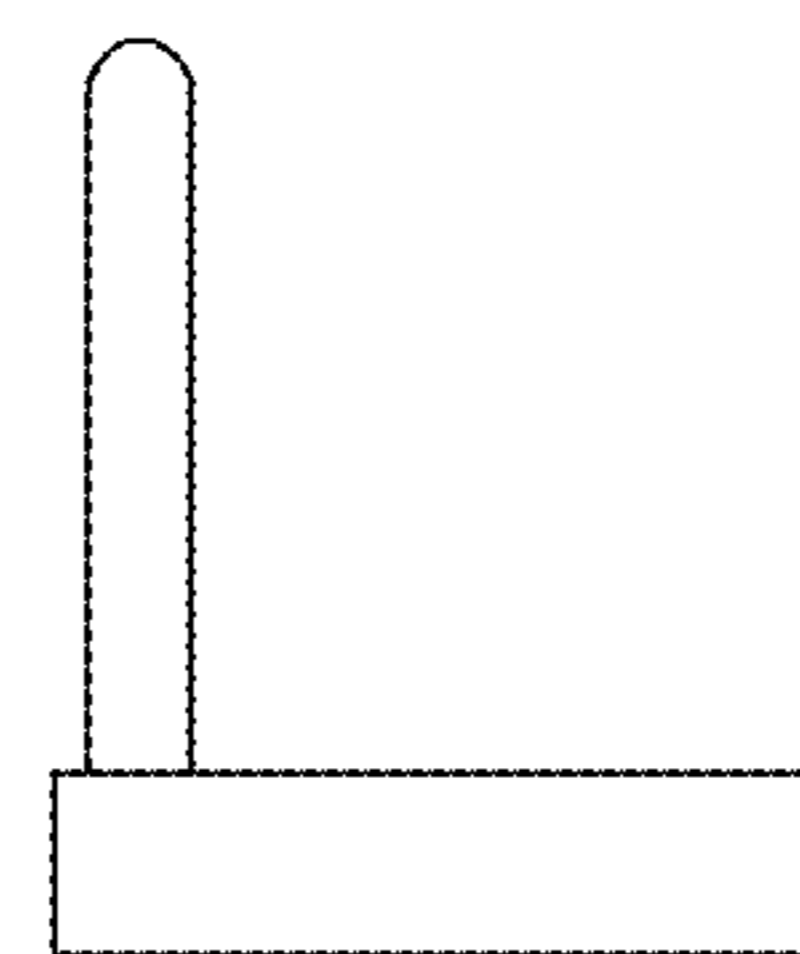


FIG. 12

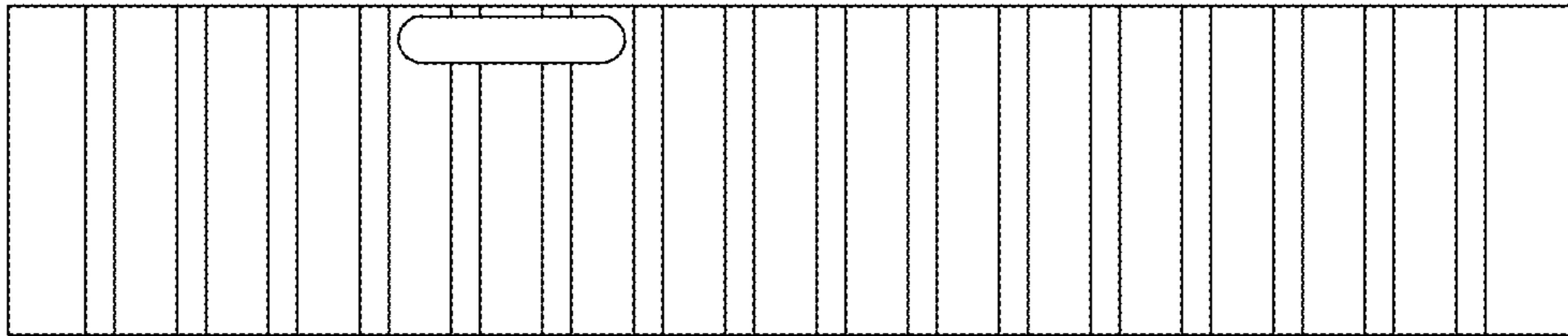


FIG. 13



FIG. 14