



US00D751883S

(12) **United States Design Patent**
Huang et al.

(10) **Patent No.:** **US D751,883 S**
(45) **Date of Patent:** **** Mar. 22, 2016**

(54) **BOX CUTTER**

(71) Applicant: **HACKSAW & KNIFE
MANUFACTORY CO., LTD.,**
Taichung (TW)

(72) Inventors: **Yin-Han Huang**, Taichung (TW);
Tien-Yu Huang, Taichung (TW)

(73) Assignee: **Hacksaw & Knife Manufacturing Co.,
Ltd.**, Taichung (TW)

(**) Term: **14 Years**

(21) Appl. No.: **29/521,509**

(22) Filed: **Mar. 24, 2015**

(51) **LOC (10) Cl.** **08-03**

(52) **U.S. Cl.**
USPC **D8/99**

(58) **Field of Classification Search**
USPC D8/98, 99, 105, 107
CPC B26B 5/001; B26B 5/003; B26B 11/00;
B26B 1/08; B26B 5/006
See application file for complete search history.

(56) **References Cited**

U.S. PATENT DOCUMENTS

D462,250	S	*	9/2002	Ping	D8/99
D478,800	S	*	8/2003	Adams	D8/99
D506,664	S	*	6/2005	Budrow	D8/99
D529,780	S	*	10/2006	Davis	D8/99
D560,999	S	*	2/2008	Ping	D8/99
D594,309	S	*	6/2009	Sugiura	D8/99

D598,265	S	*	8/2009	Wu	D8/99
D598,728	S	*	8/2009	Polei	D8/99
D600,993	S	*	9/2009	Min	D8/99
8,220,160	B2	*	7/2012	Davis	B26B 3/06 30/162
8,322,586	B2	*	12/2012	Davis	B26B 3/06 224/197
D710,178	S	*	8/2014	Wu	D8/99
2002/0124418	A1	*	9/2002	Votolato	B26B 5/00 30/294

* cited by examiner

Primary Examiner — Phillip S Hyder

(74) *Attorney, Agent, or Firm* — Muncy, Geissler, Olds & Lowe, P.C.

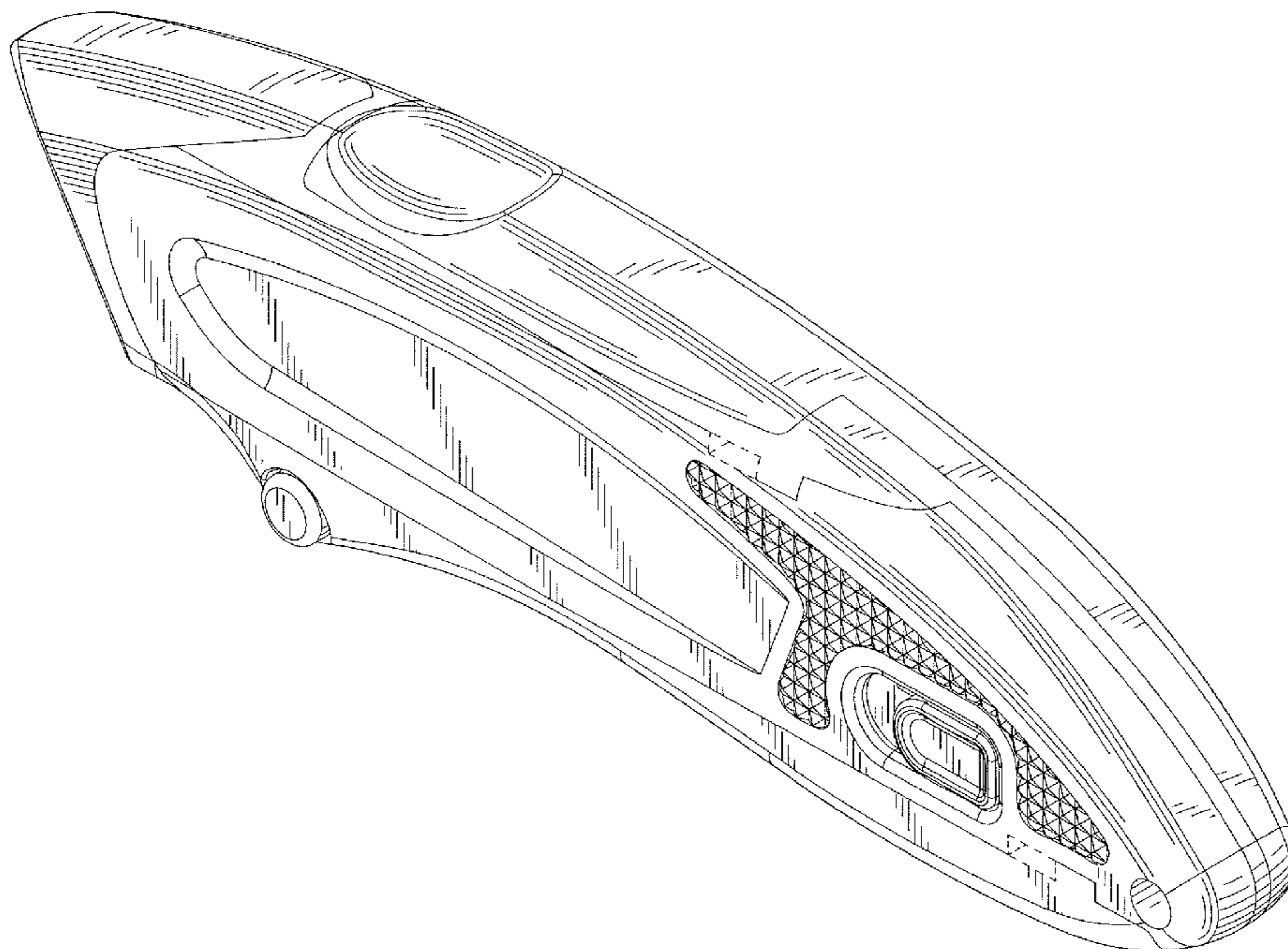
(57) **CLAIM**

We claim the ornamental design for a box cutter, as shown and described.

DESCRIPTION

FIG. 1 is a right, front, top perspective view of a box cutter showing our new design;
FIG. 2 is a front elevational view thereof;
FIG. 3 is a rear elevational view thereof;
FIG. 4 is a left side view thereof;
FIG. 5 is a right side view thereof;
FIG. 6 is a top plan view thereof;
FIG. 7 is a bottom plan view thereof;
FIG. 8 is a left, rear, bottom perspective view thereof; and,
FIG. 9 is a view that shows the box cutter in use.
The broken lines depict portions of the box cutter in which the design is embodied that are not considered part of the claimed design.

1 Claim, 7 Drawing Sheets



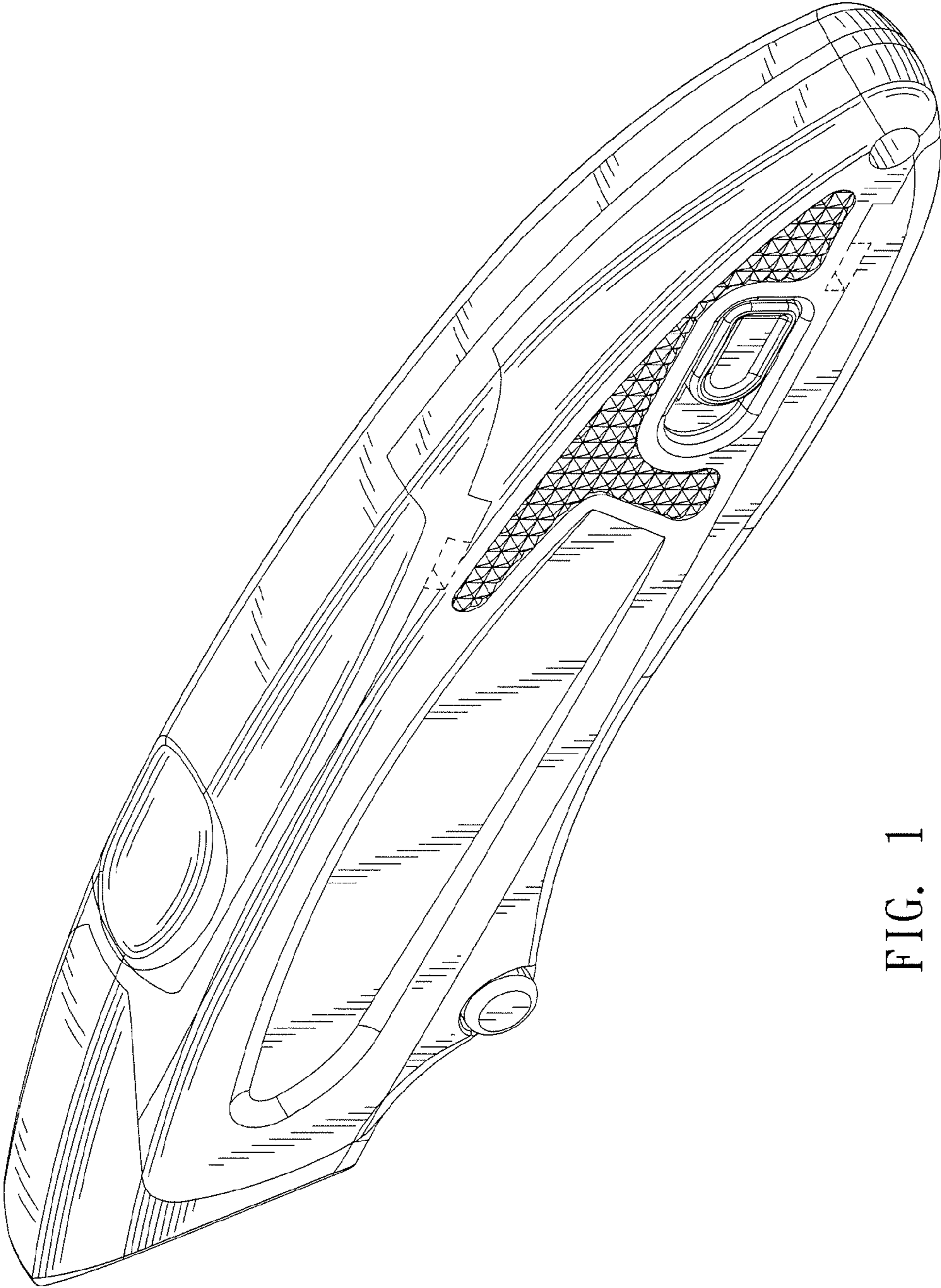


FIG. 1

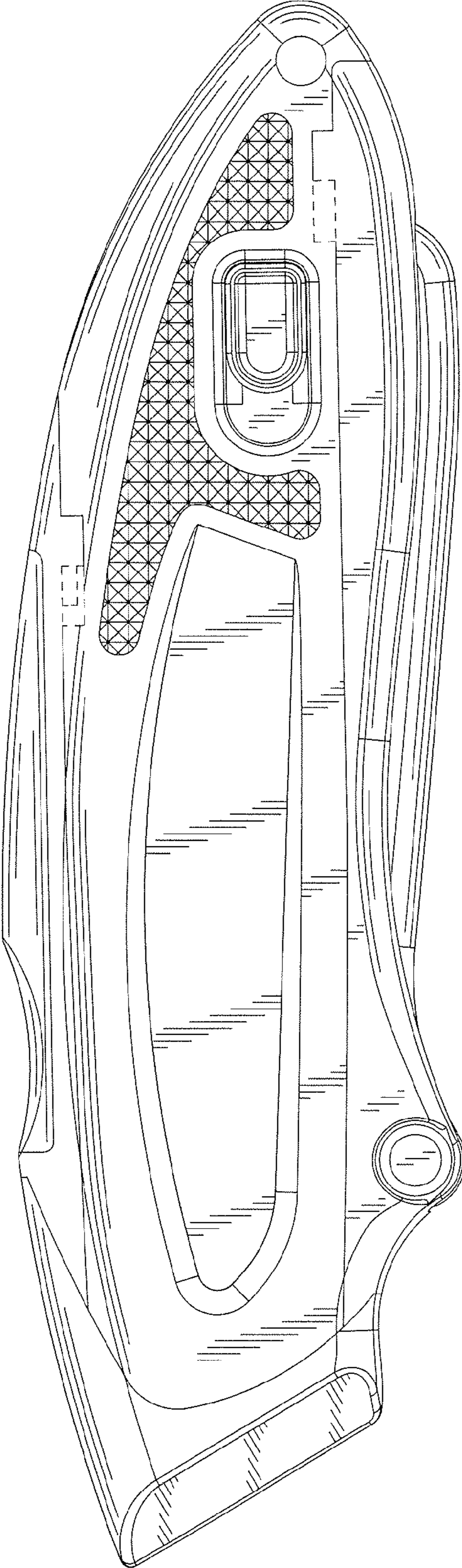


FIG. 2

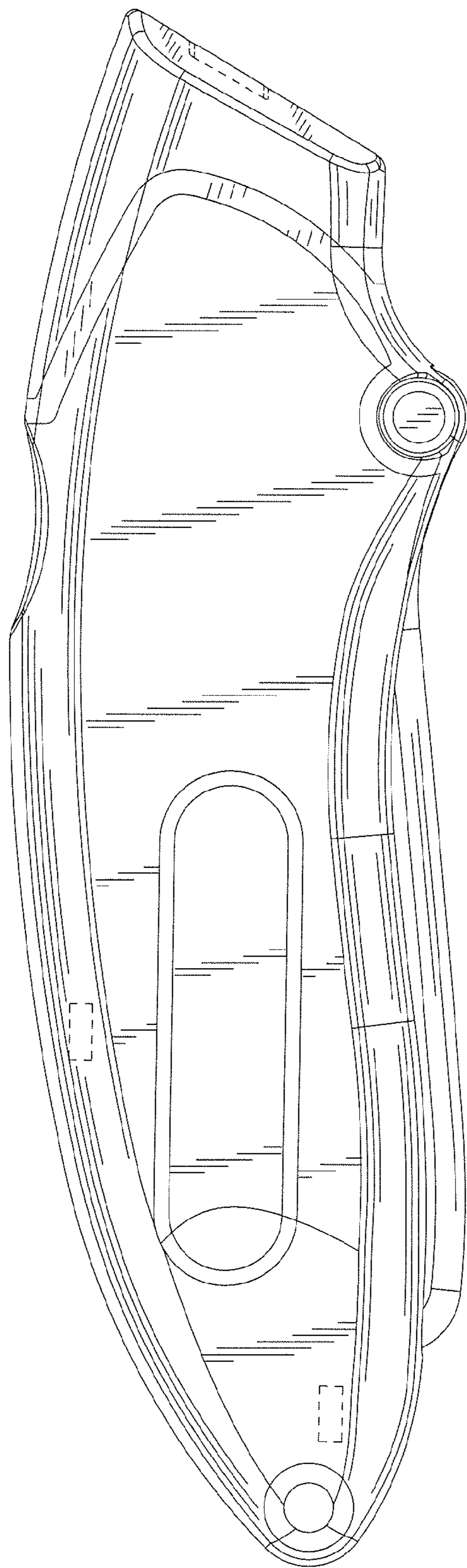


FIG. 3

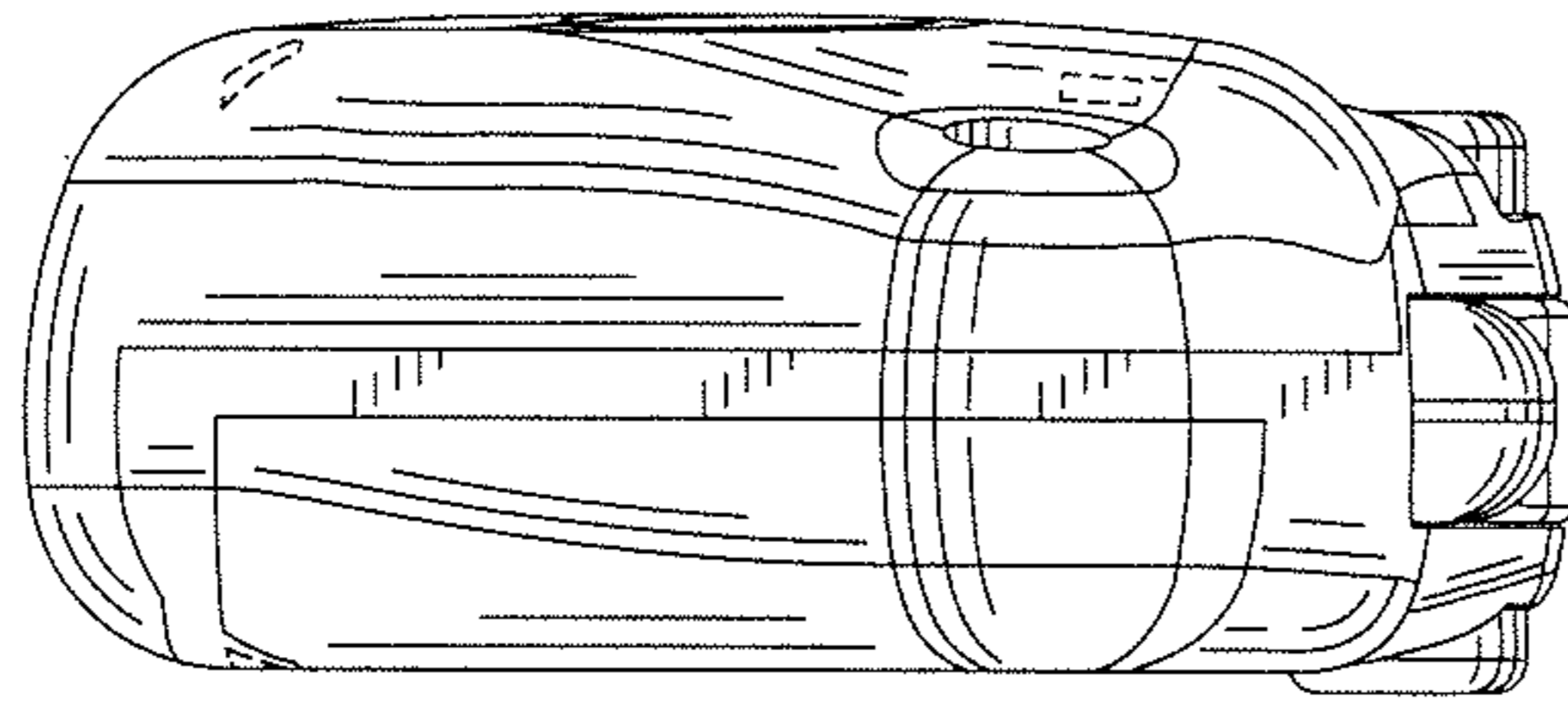


FIG. 5

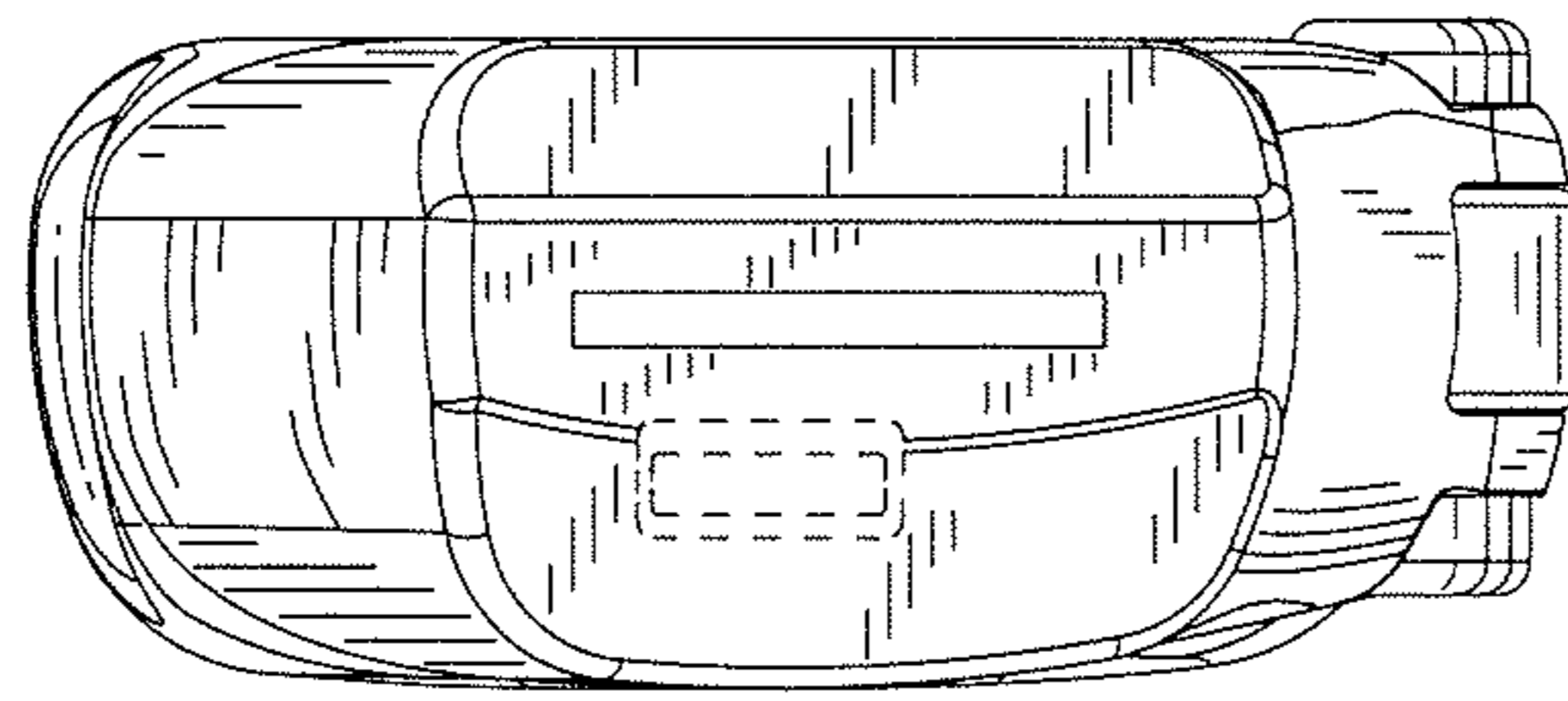


FIG. 4

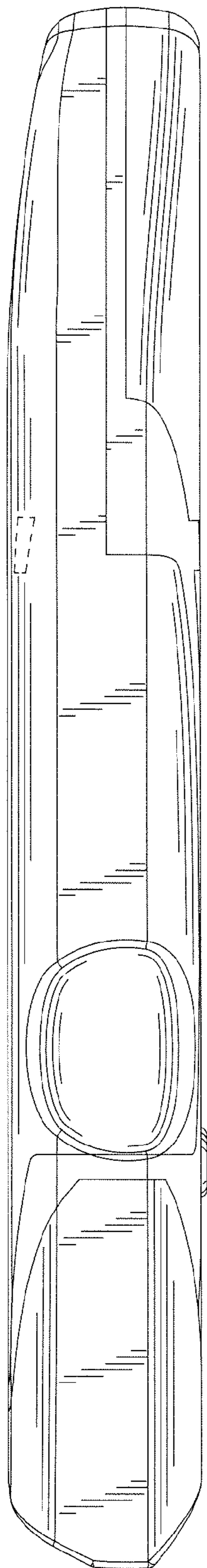


FIG. 6

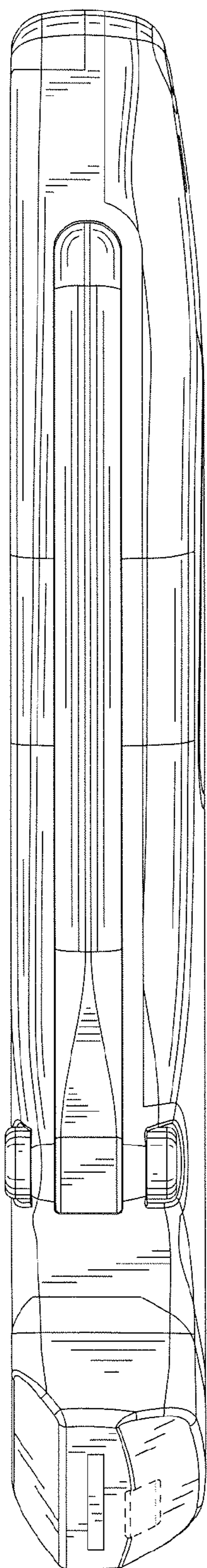


FIG. 7

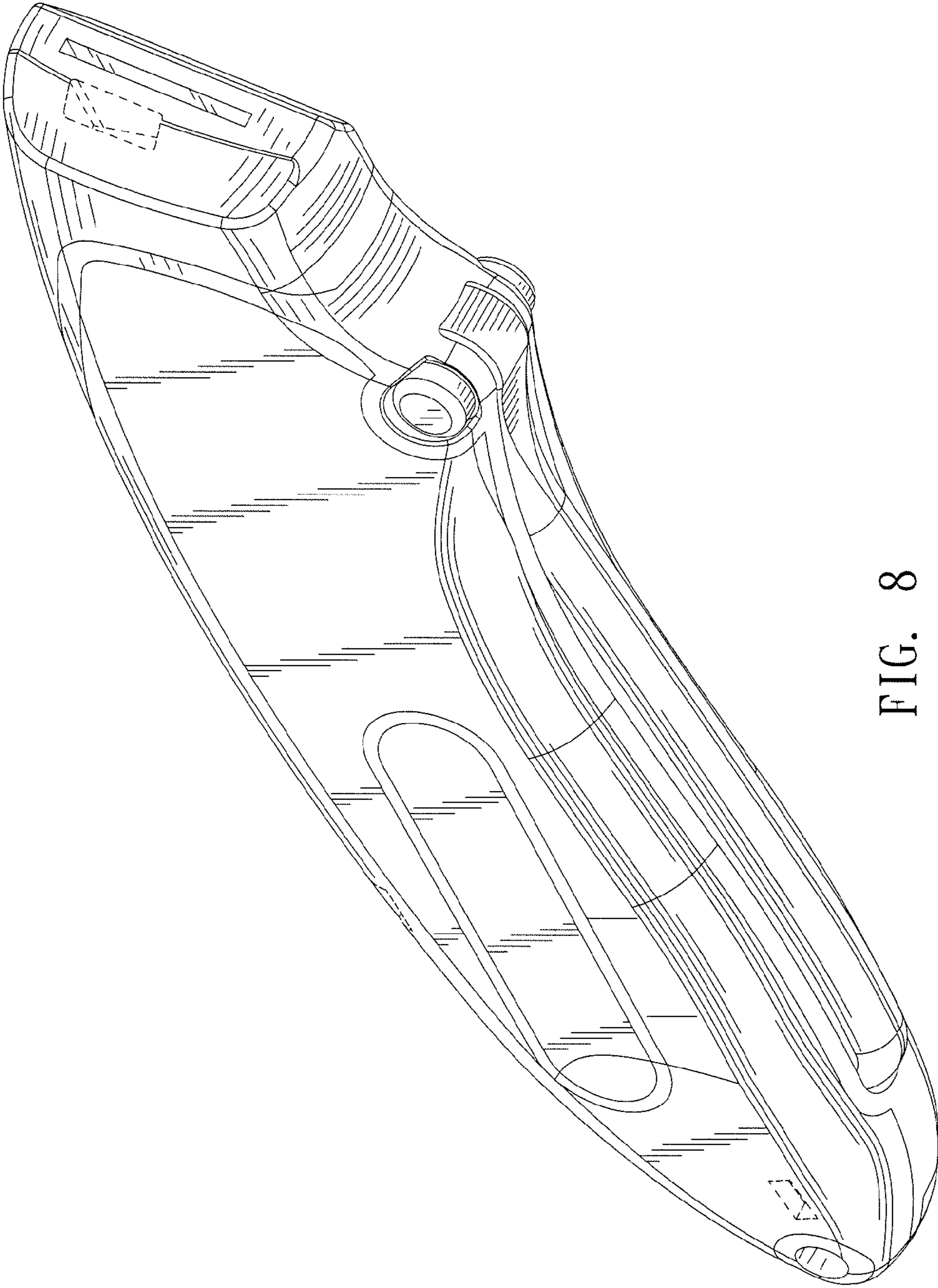


FIG. 8

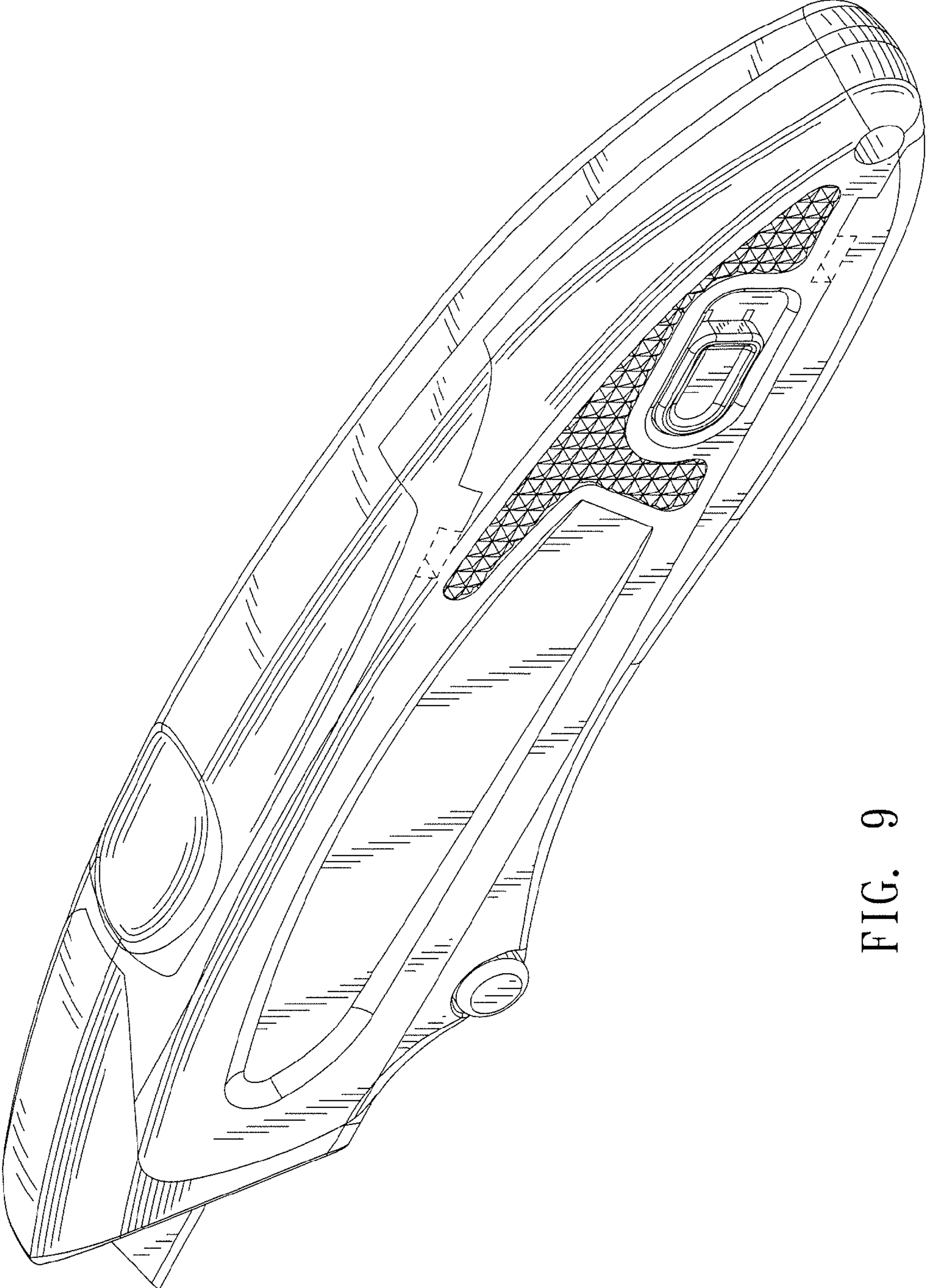


FIG. 9