



US00D751882S

(12) **United States Design Patent**
Bloch

(10) **Patent No.:** **US D751,882 S**
(45) **Date of Patent:** **** Mar. 22, 2016**

- (54) **REPLACEABLE BLADE**
- (71) Applicant: **Outdoor Edge Cutlery Corporation**,
Wheat Ridge, CO (US)
- (72) Inventor: **David R. Bloch**, Morrison, CO (US)
- (73) Assignee: **Outdoor Edge Cutlery Corporation**,
Denver, CO (US)
- (**) Term: **14 Years**
- (21) Appl. No.: **29/475,511**
- (22) Filed: **Dec. 3, 2013**

D383,370 S 9/1997 Chen et al.
 D385,471 S 10/1997 Seber et al.
 5,689,889 A * 11/1997 Overholt 30/332
 D392,539 S 3/1998 Balolia

(Continued)

FOREIGN PATENT DOCUMENTS

AU 2006202953 8/2006
 CA 2481333 6/2005

(Continued)

OTHER PUBLICATIONS

International Search Report and Written Opinion for International
 (PCT) Patent Application No. PCT/US2013/066877 mailed Mar. 18,
 2014, 8 pages.

(Continued)

Related U.S. Application Data

- (63) Continuation-in-part of application No. 29/440,686,
filed on Dec. 26, 2012, now Pat. No. Des. 728,339, and
a continuation-in-part of application No. 14/063,333,
filed on Oct. 25, 2013.
- (51) **LOC (10) Cl.** **08-03**
- (52) **U.S. Cl.**
USPC **D8/99; D8/20**
- (58) **Field of Classification Search**
USPC D8/98, 99; D22/118; D24/147
CPC B26B 9/02; B26B 9/00; B26B 5/00
See application file for complete search history.

Primary Examiner — Phillip S Hyder

(74) *Attorney, Agent, or Firm* — Sheridan Ross P.C.

(57)

CLAIM

The ornamental design for a replaceable blade, as shown and
described.

DESCRIPTION

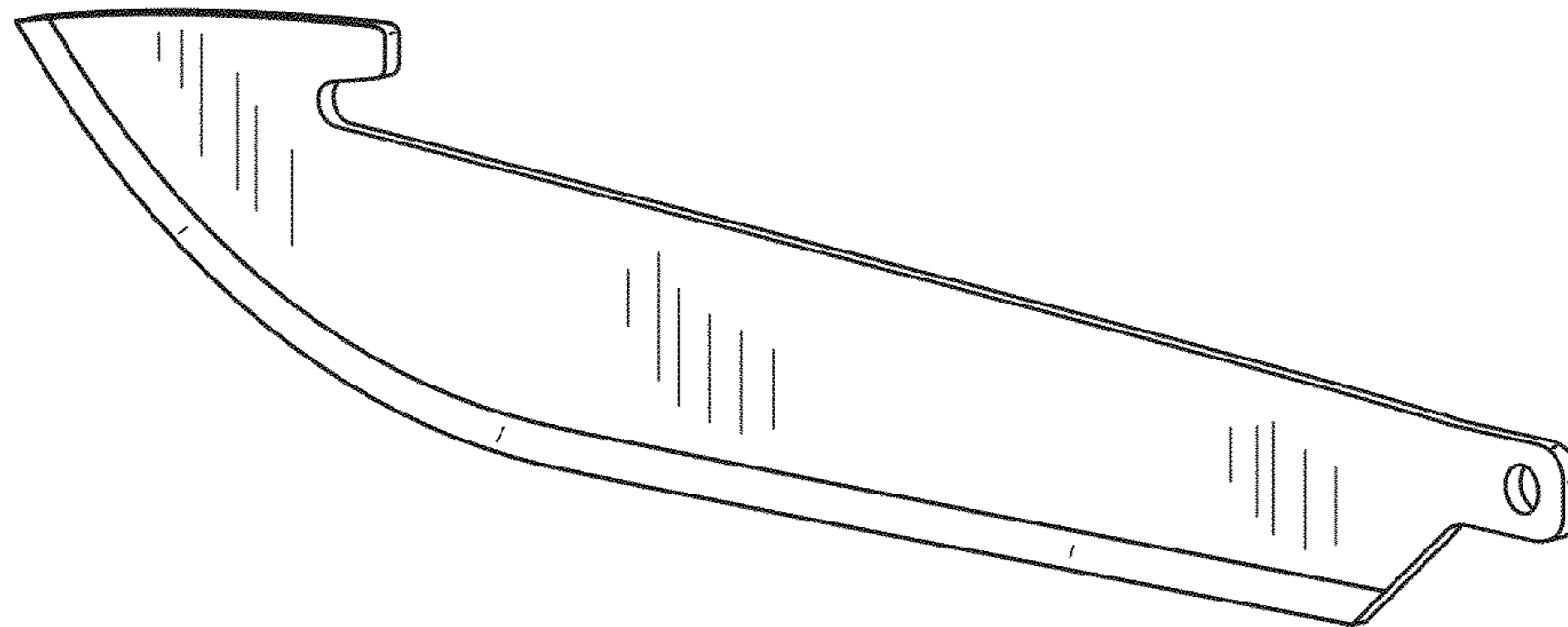
FIG. 1 is a perspective view of the replaceable blade;
 FIG. 2 is a top plan view thereof;
 FIG. 3 is a front elevation view thereof;
 FIG. 4 is a right elevation view thereof;
 FIG. 5 is a bottom plan view thereof;
 FIG. 6 is a left elevation view thereof;
 FIG. 7 is a rear elevation view thereof; and,
 FIG. 8 is a perspective view of the replaceable blade shown in
 FIGS. 1-7, wherein the replaceable blade is shown in con-
 junction with a knife.
 The broken line showing of the knife is for illustrative pur-
 poses only and forms no part of the claimed design.

1 Claim, 3 Drawing Sheets

(56) **References Cited**

U.S. PATENT DOCUMENTS

D100,877 S * 8/1936 Parker D24/147
 D172,377 S * 6/1954 Woofter D8/99
 3,772,955 A * 11/1973 Pearl 83/746
 3,896,546 A 7/1975 Hildebrandt
 4,161,818 A 7/1979 Phelps
 4,173,071 A * 11/1979 Ishida 30/339
 D265,719 S * 8/1982 Dowdy D8/99
 D277,452 S 2/1985 Ulvtorp
 5,511,310 A 4/1996 Sessions et al.



(56)

References Cited

U.S. PATENT DOCUMENTS

D393,405 S 4/1998 Seber et al.
 6,058,611 A 5/2000 Rickard
 D442,461 S 5/2001 Glesser
 6,263,581 B1 7/2001 Forte
 6,397,476 B1 6/2002 Onion
 6,574,868 B1 6/2003 Overholt
 D501,782 S 2/2005 Ping
 D510,250 S 10/2005 Ping
 D516,403 S 3/2006 Ping
 D517,893 S 3/2006 Ping
 D519,019 S 4/2006 Ping
 D522,835 S 6/2006 Ping
 D526,878 S 8/2006 Ping
 D528,894 S 9/2006 Ping
 D528,895 S 9/2006 Ping
 7,134,207 B2 11/2006 Ping
 D535,171 S 1/2007 Ping
 7,172,611 B2* 2/2007 Harding et al. 606/167
 D543,822 S 6/2007 Ping
 D545,165 S 6/2007 Ping
 D546,158 S 7/2007 Ping
 D551,050 S 9/2007 Ping
 D552,955 S 10/2007 Ping
 D562,651 S* 2/2008 Harkey D8/20
 D567,055 S 4/2008 Renzi et al.
 D568,136 S 5/2008 Ping
 D574,691 S 8/2008 Ping
 D578,858 S 10/2008 Ping
 D579,299 S 10/2008 Ping
 D583,643 S 12/2008 Ping
 D584,125 S 1/2009 Ping
 7,480,997 B2 1/2009 Ping
 D592,033 S 5/2009 Bloch
 D593,838 S 6/2009 Williams
 7,900,363 B1 3/2011 White
 D654,144 S 2/2012 Karlsson et al.
 8,381,407 B1 2/2013 White
 8,935,855 B2 1/2015 Qiu
 2004/0226173 A1 11/2004 Ping
 2004/0231169 A1 11/2004 Roberson

2005/0138816 A1 6/2005 Ping
 2005/0229404 A1 10/2005 Nordqvist et al.
 2006/0064877 A1 3/2006 Vallotton et al.
 2007/0006466 A1 1/2007 Ping
 2007/0294895 A1 12/2007 Ping
 2008/0148576 A1 6/2008 Ping
 2010/0299935 A1 12/2010 Ping
 2011/0023308 A1 2/2011 Ping
 2012/0030949 A1 2/2012 Ping
 2012/0227267 A1 9/2012 Qiu
 2013/0227794 A1 9/2013 Wang
 2013/0255087 A1 10/2013 Wang
 2014/0115851 A1 5/2014 Bloch et al.

FOREIGN PATENT DOCUMENTS

CN 201677334 12/2010
 CN 102756384 10/2012
 CN 102990680 3/2013
 CN 102990681 3/2013
 EP 1570959 9/2005
 FR 2848138 6/2004
 FR 2864463 7/2005
 FR 2867716 9/2005
 FR 2870152 11/2005
 WO WO 2014/000347 1/2014
 WO WO 2014/082447 6/2014

OTHER PUBLICATIONS

Official Action for U.S. Appl. No. 29/440,686 mailed Mar. 14, 2014, 6 pages.
 Official Action for U.S. Appl. No. 29/440,686 mailed Oct. 27, 2014, 5 pages.
 Notice of Allowance for U.S. Appl. No. 29/440,686 mailed Jan. 5, 2015, 7 pages.
 Official Action for U.S. Appl. No. 14/063,333, mailed Sep. 11, 2015 6 pages Restriction Requirement.
 International Preliminary Report on Patentability for International (PCT) Patent Application No. PCT/US2013/066877 mailed May 7, 2015, 7 pages.

* cited by examiner

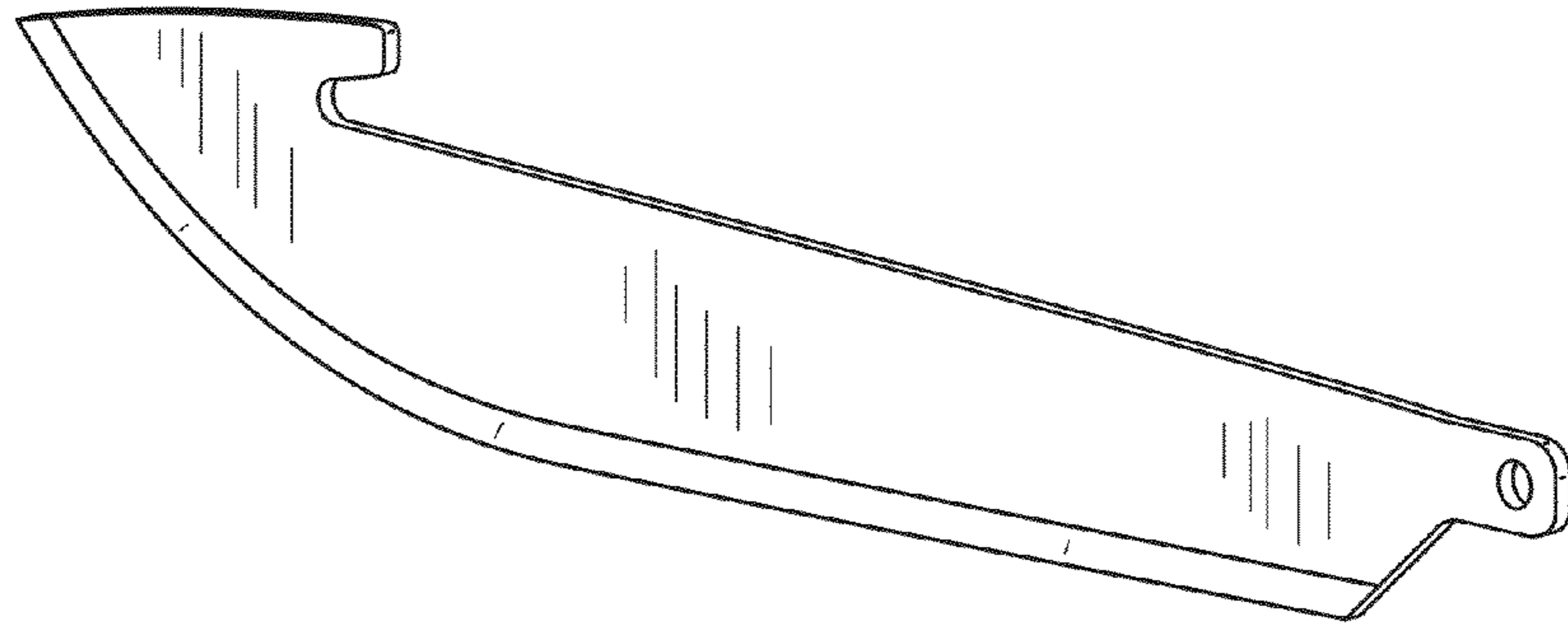


FIG. 1



FIG. 2

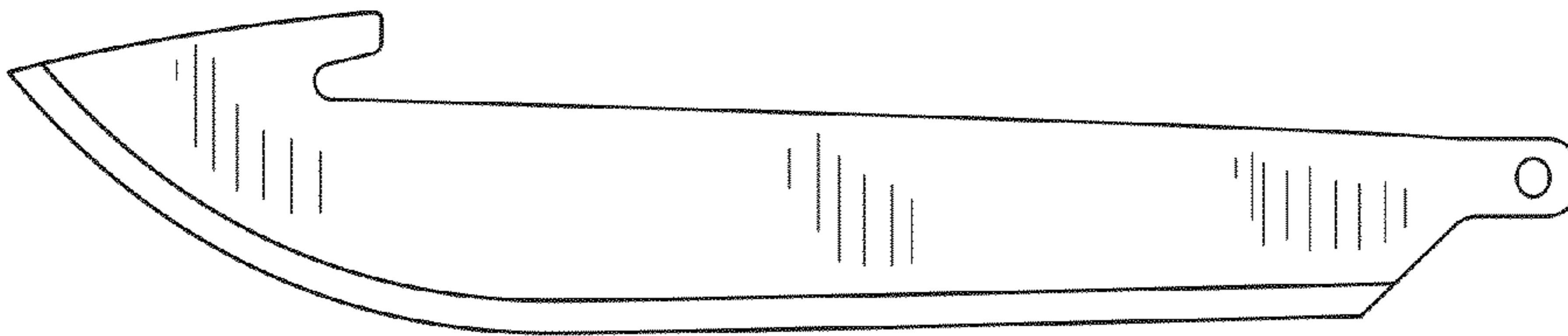


FIG. 3



FIG. 4



FIG. 5



FIG. 6

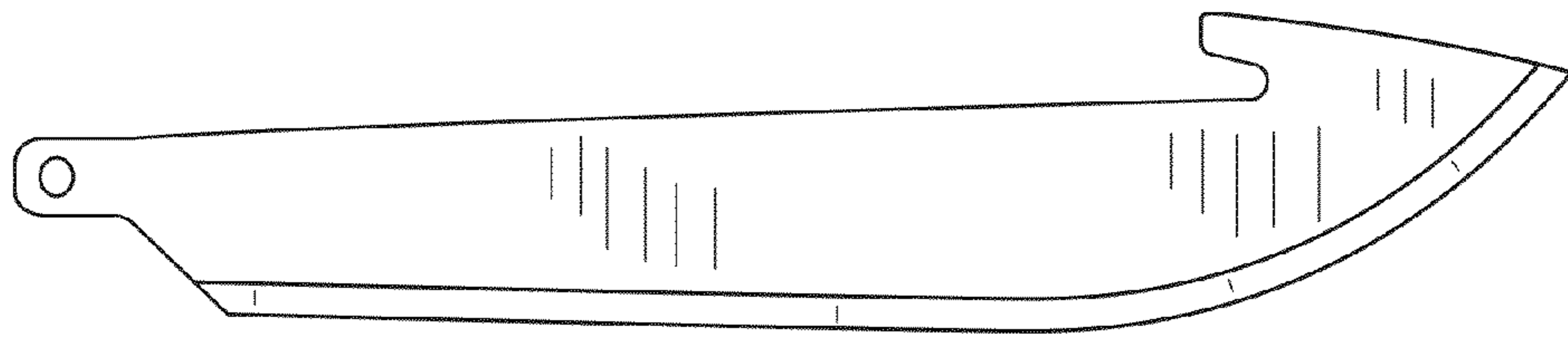


FIG. 7

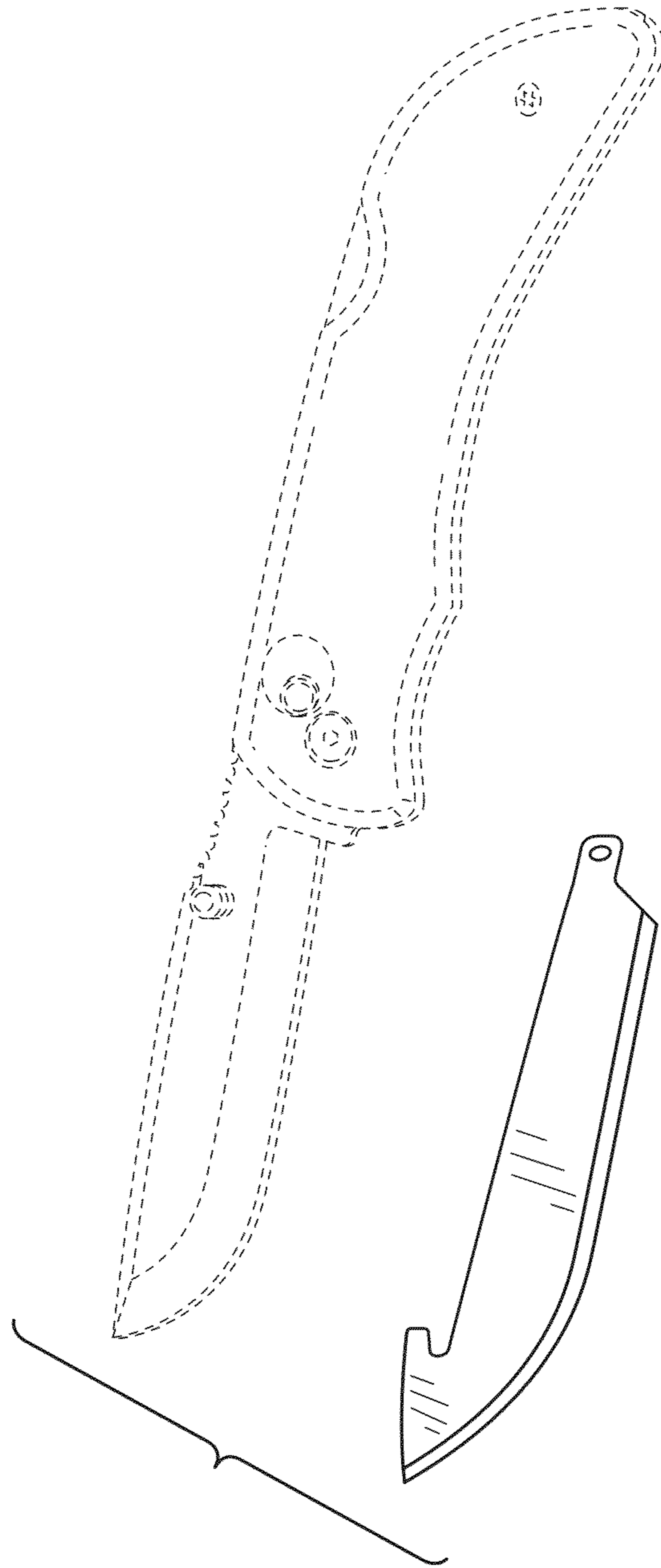


FIG.8